



US00D968533S

(12) **United States Design Patent** (10) **Patent No.:** **US D968,533 S**  
**Wellejus et al.** (45) **Date of Patent:** **\*\* Nov. 1, 2022**

- (54) **FIGURINE TOY**
- (71) Applicant: **LEGO A/S**, Billund (DK)
- (72) Inventors: **Rene Christensen Wellejus**, Billund (DK); **Christoffer Raundahl**, Vejle (DK)
- (73) Assignee: **LEGO A/S**, Billund (DK)
- (\*\*) Term: **15 Years**
- (21) Appl. No.: **29/816,631**
- (22) Filed: **Nov. 23, 2021**

D317,796 S	6/1991	Laursen	
D680,598 S	4/2013	Geller	
D739,480 S	9/2015	Ortega	
D784,850 S	4/2017	Kawase	
D837,311 S *	1/2019	Vežina	D21/658
D865,075 S	10/2019	Mangnall-Schwarz	
D887,501 S	6/2020	Zhan	
D897,457 S *	9/2020	Vežina	D21/658
D917,635 S	4/2021	Li	
D927,607 S	8/2021	Skrripps	
2014/0227936 A1 *	8/2014	Botterill	A63H 33/062 446/99

**Related U.S. Application Data**

- (62) Division of application No. 35/510,319, filed on Jul. 28, 2020 (U.S. filing date under 35 U.S.C. 384), and having an international filing date of Jul. 28, 2020, now Pat. No. Des. 943,036.

**Foreign Application Priority Data**

- Jan. 29, 2020 (EM) ..... 007567938
- (51) **LOC (13) Cl.** ..... **21-01**
- (52) **U.S. Cl.**  
USPC ..... **D21/658**
- (58) **Field of Classification Search**  
USPC ..... D21/621, 631, 632, 633, 634, 658  
CPC ..... A63H 3/16; A63H 3/36  
See application file for complete search history.

**References Cited**

**U.S. PATENT DOCUMENTS**

D248,881 S	8/1978	Goldfarb
D253,711 S	12/1979	Christiansen
D262,226 S	12/1981	Takahashi
D268,507 S	4/1983	Alwell

**OTHER PUBLICATIONS**

“The Nikkei: Miyamoto is trying to be less rigid with the Mario franchise”, My Nintendo News, Aug. 12, 2020. URL: <<<https://myintendonews.com/2019/11/23/the-nikkei-miyamoto-is-trying-to-be-less-rigid-with-the-mario-franchise/>>>.

Notification of Partial Refusal issued in corresponding International application No. DM/210140, dated Dec. 29, 2020, 10 pages.

(Continued)

*Primary Examiner* — Joseph Kukella

(74) *Attorney, Agent, or Firm* — Day Pitney LLP; Anthony A. Kassas

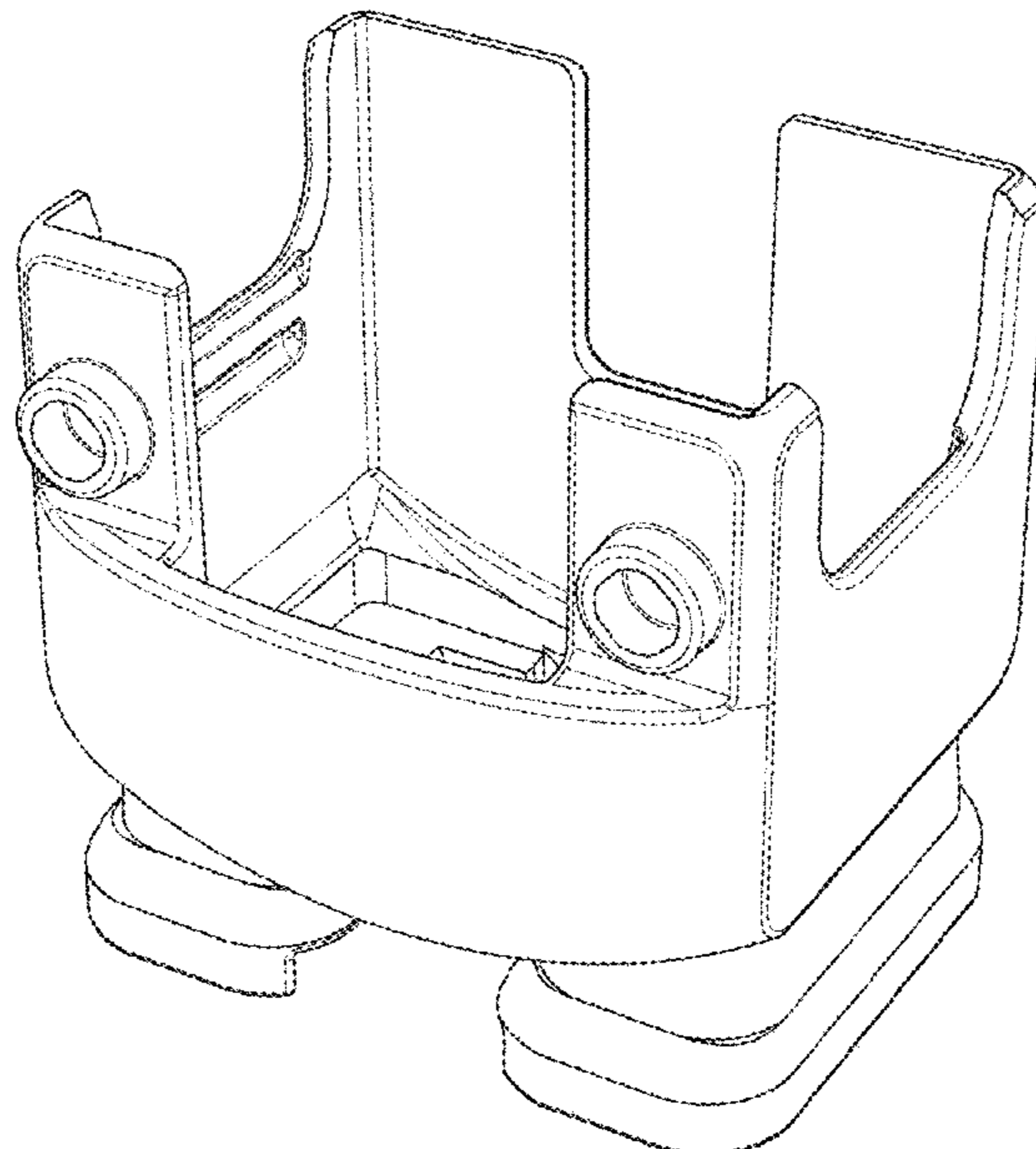
(57) **CLAIM**

The ornamental design for a figurine toy, as shown and described above.

**DESCRIPTION**

FIG. 1 is a perspective view of the figurine toy.  
FIG. 2 is a front view thereof.  
FIG. 3 is a back view thereof.  
FIG. 4 is a right view thereof.  
FIG. 5 is a left view thereof.  
FIG. 6 is a top view thereof; and,  
FIG. 7 is a bottom view thereof.

**1 Claim, 7 Drawing Sheets**



(56)

**References Cited**

OTHER PUBLICATIONS

Office Action issued in corresponding Russian application No. 2050341/77, dated Jan. 20, 2021, 5 pages.

Restriction Requirement issued in corresponding international Hague design registration No. DM/210140, dated Sep. 14, 2021, 8 pages.  
@LEGO\_Group, "it's-a me, LEGO Mario!", published Mar. 10, 2020 via Twitter.com. Retrieved from the internet on Sep. 11, 2021, (Year: 2020) URL: [https://twitter.com/LEGO\\_Group/status/1237362614193270784](https://twitter.com/LEGO_Group/status/1237362614193270784).

\* cited by examiner

FIG. 1

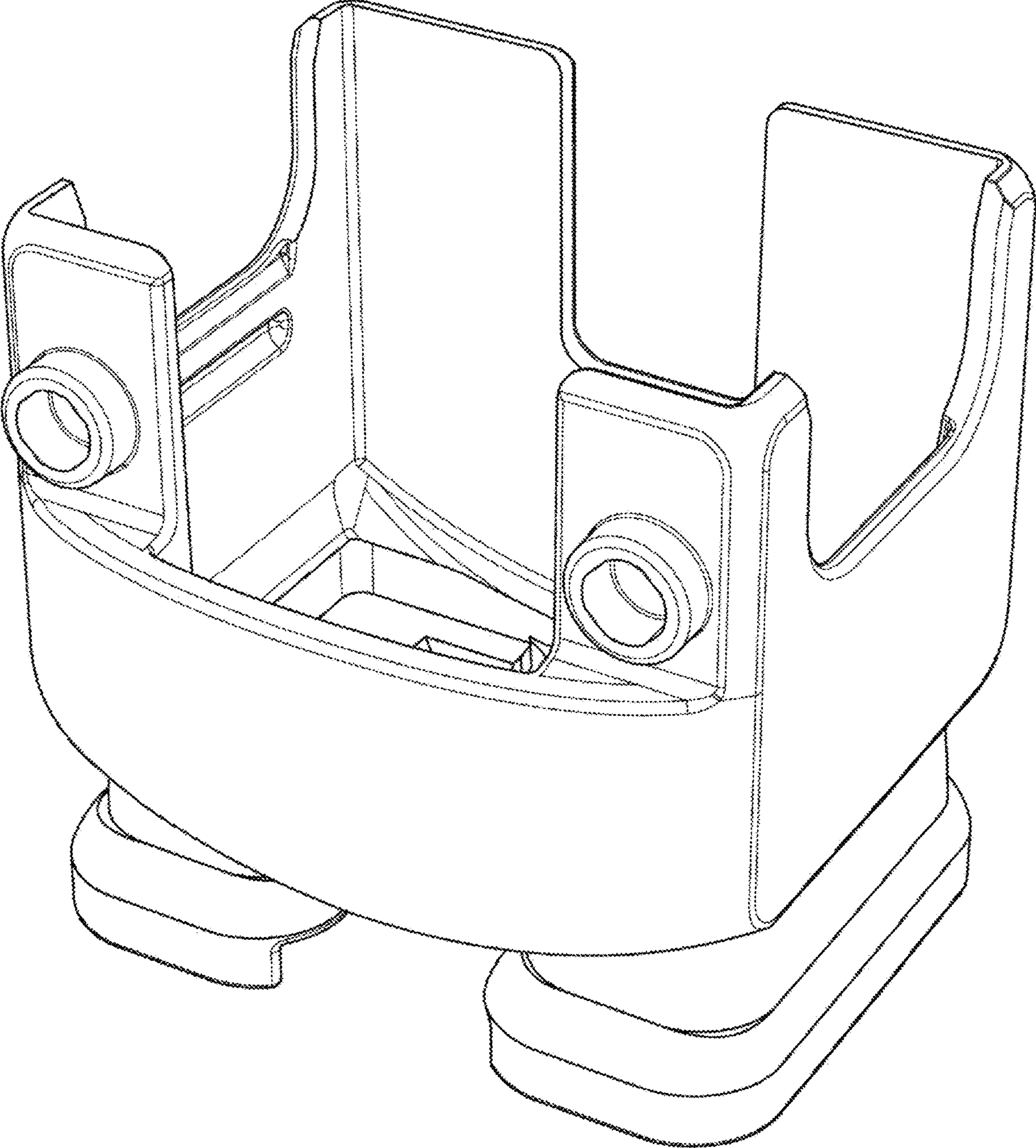


FIG. 2

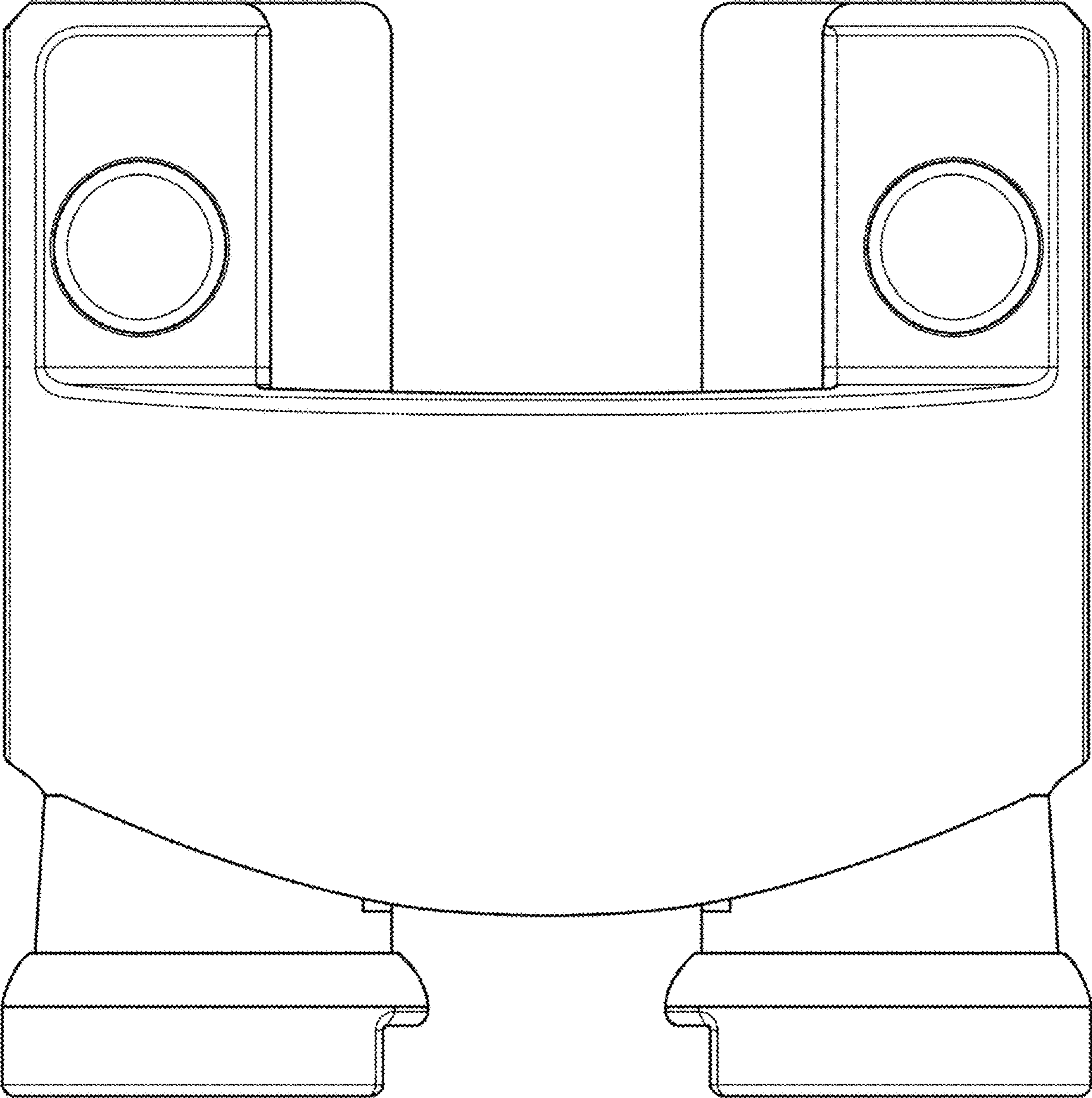


FIG. 3

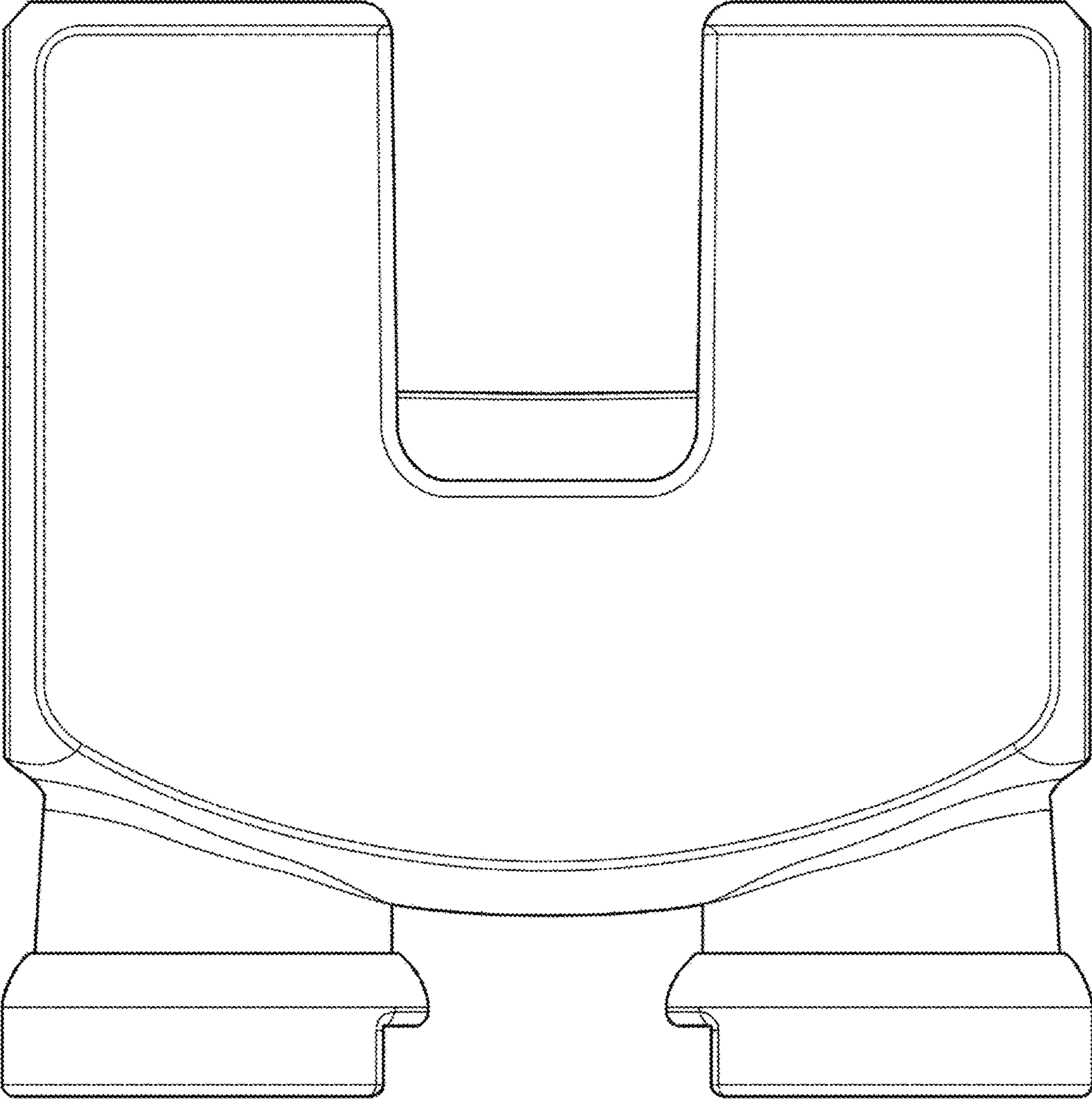


FIG. 4

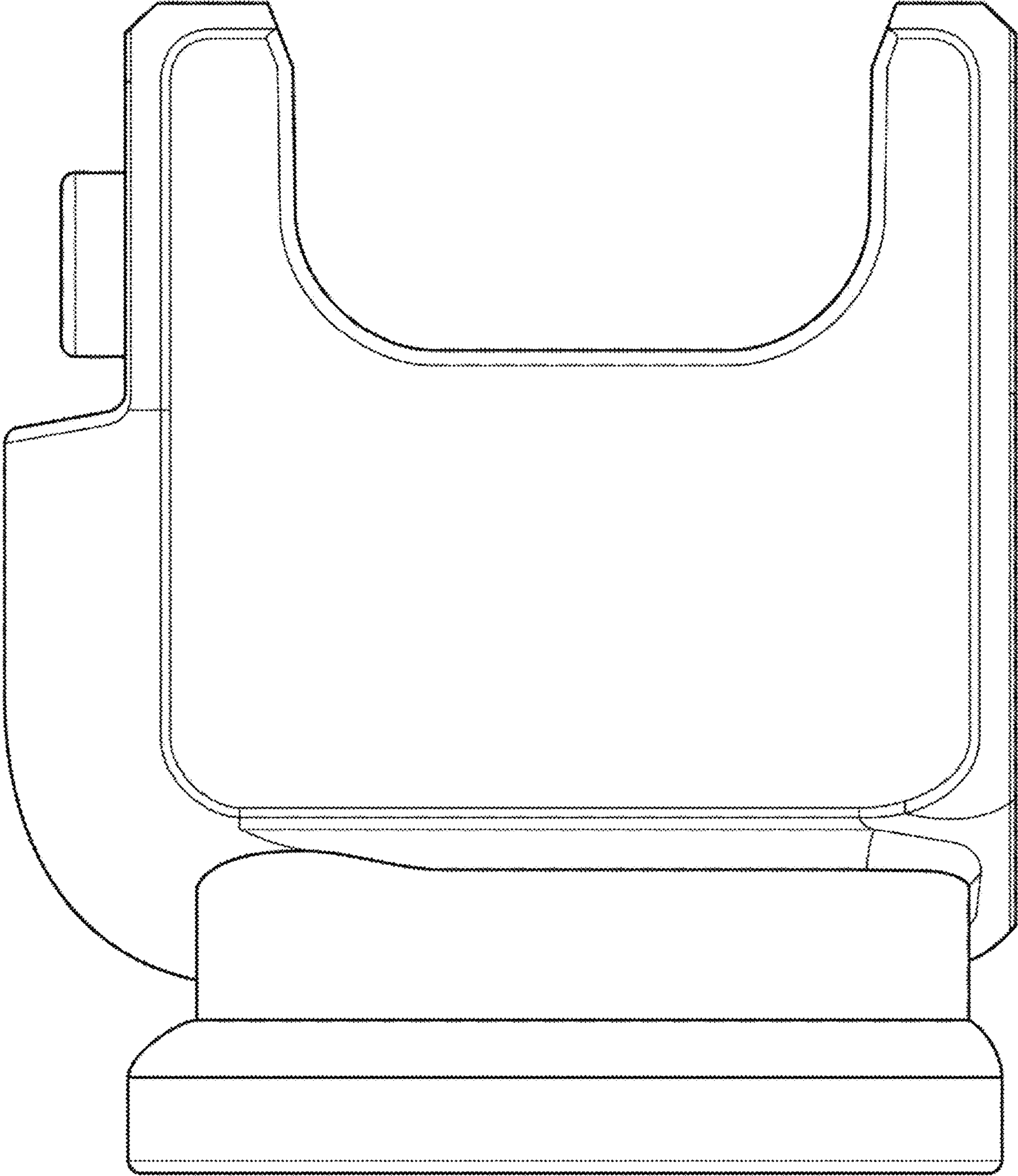


FIG. 5

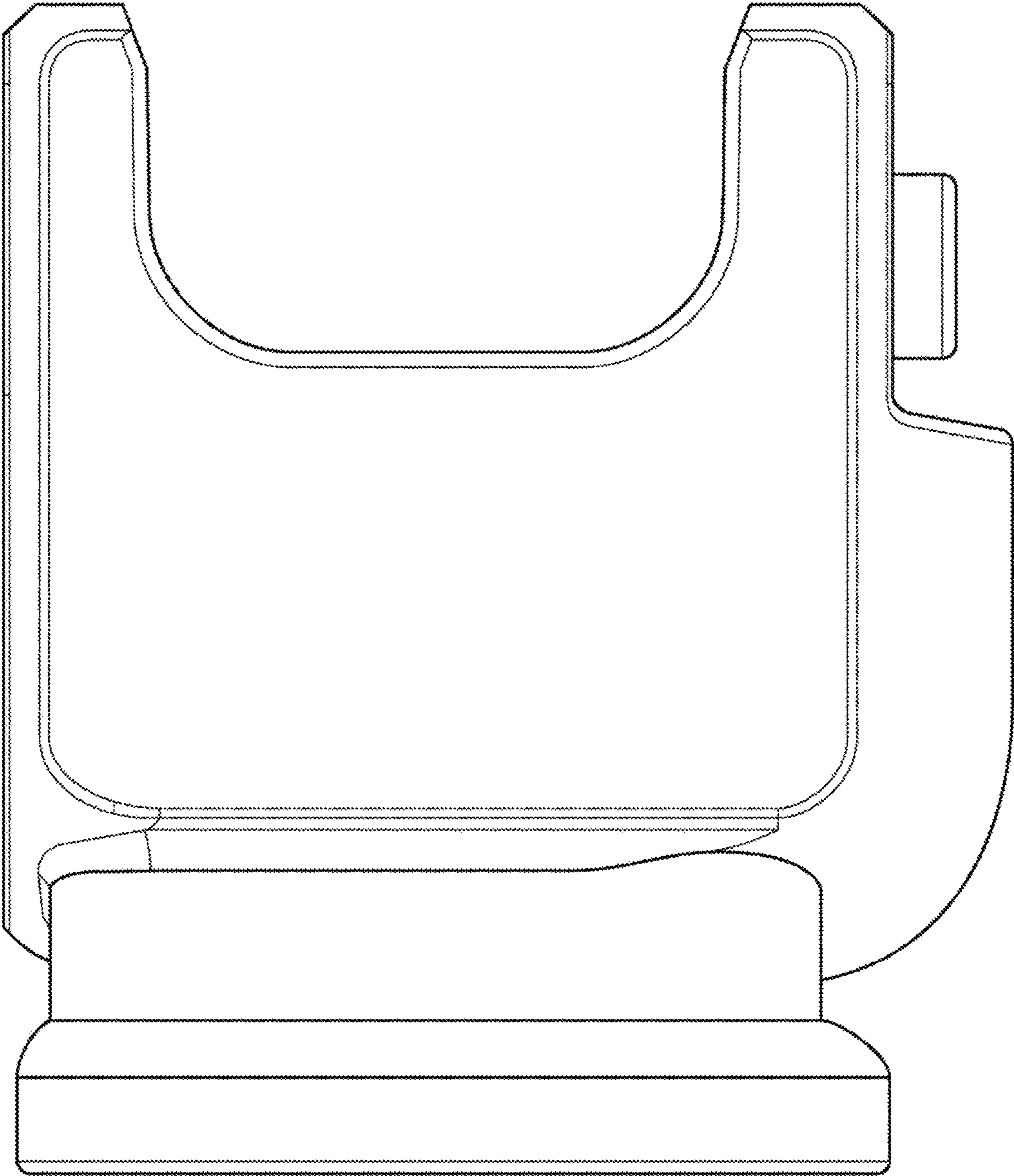


FIG. 6

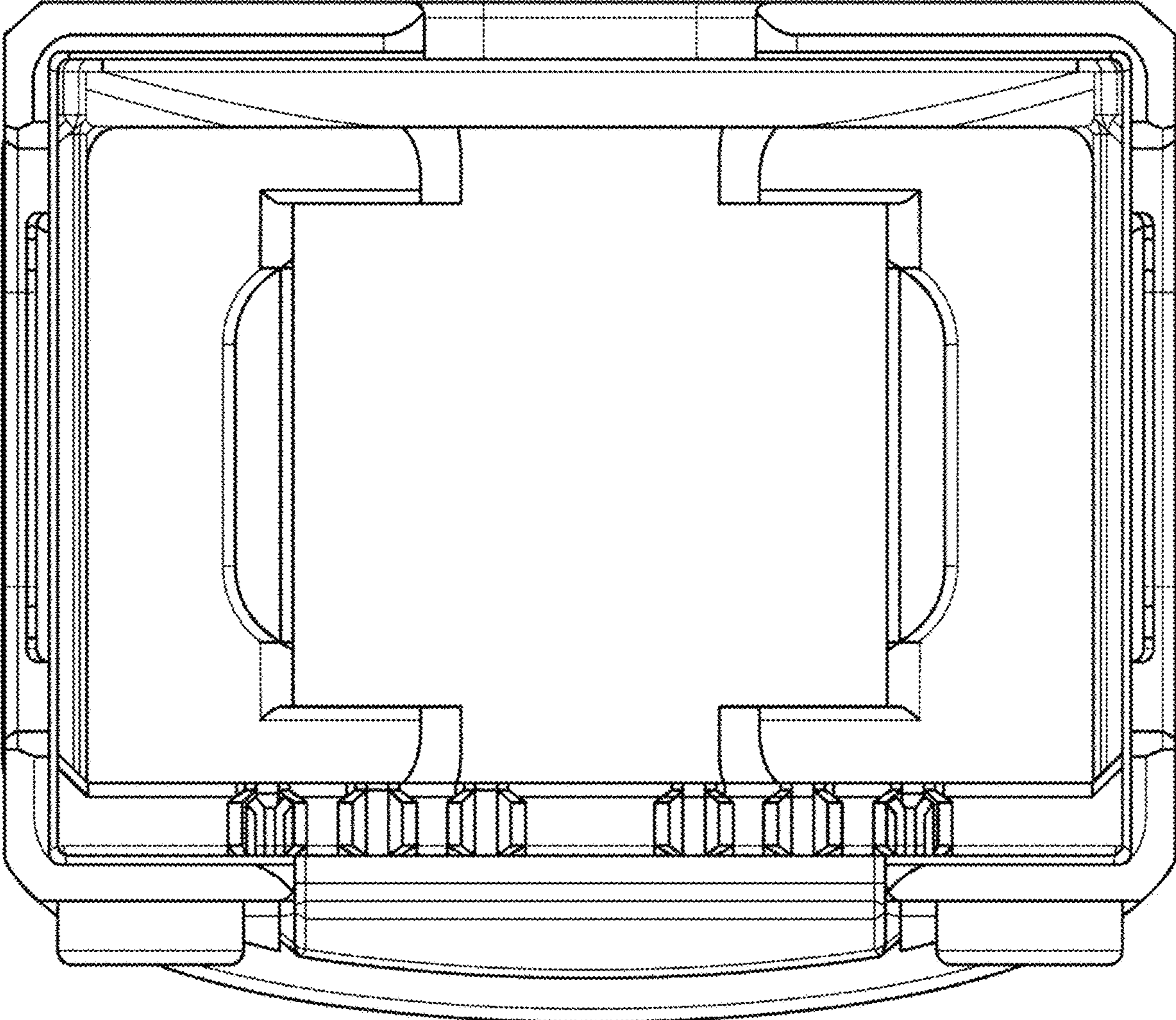




FIG. 7

