



US00D968529S

(12) **United States Design Patent** (10) **Patent No.:** **US D968,529 S**
Cai (45) **Date of Patent:** **** Nov. 1, 2022**

(54) **BUBBLE GUN**

(71) Applicant: **Linhui Cai**, Shantou (CN)

(72) Inventor: **Linhui Cai**, Shantou (CN)

(**) Term: **15 Years**

(21) Appl. No.: **29/790,493**

(22) Filed: **Dec. 1, 2021**

(51) **LOC (13) Cl.** **21-01**

(52) **U.S. Cl.**

USPC **D21/572**; D21/573; D21/401

(58) **Field of Classification Search**

USPC D21/301, 324–327, 331–333, 385, 401,
D21/567–575; D22/100–108;
D14/412–413, 415–416, 418, 426–428,
D14/430; D10/46, 98

CPC A63H 33/009; A63H 33/28; A63H 33/30;
A63H 33/3072; A63H 33/36; A63H
2200/00; F41C 3/005; F41C 3/06; F41C
3/08; F41C 3/10; F41C 3/12; F41C 3/00;
F41C 3/14; F41C 3/16; F41C 7/00; F41C
7/02; F41C 7/025; F41C 7/04; F41C
7/06; F41C 7/11; F41C 7/12; F41C 9/00;
F41C 27/00; F41C 33/08; F41B 7/08;
F41B 11/89; F41B 5/00; F41B 5/0005;
F41B 5/001; F41B 5/0026; F41B 5/0031;
F41B 5/0052; F41B 5/0073; F41B
5/0094; F41B 5/10; F41B 5/12; F41B
5/123; F41B 5/126; F41B 1/00; F41B
9/00; F41B 9/005; F41B 9/0053; F41B
9/0009; F41B 9/0012; F41B 9/0028;
F41B 9/0031; F41B 9/0078; F41B

(Continued)

(56) **References Cited**

U.S. PATENT DOCUMENTS

3,919,799 A * 11/1975 Austin, Jr. F42B 5/045
42/76.01

D627,403 S 11/2010 Lo

(Continued)

OTHER PUBLICATIONS

Cai, Linhui, CN Design No. 307362181, published at Orbit, publication date May 24, 2022. Site visited Sep. 9, 2022. Available from Internet. (Year: 2022).*

(Continued)

Primary Examiner — Kathleen L Jones

(74) *Attorney, Agent, or Firm* — Zhihua Han

(57) **CLAIM**

The ornamental design for a bubble gun, as shown and described.

DESCRIPTION

FIG. 1 is a first perspective view of a bubble gun showing my new design;

FIG. 2 is a second perspective view thereof;

FIG. 3 is a front view thereof;

FIG. 4 is a back view thereof;

FIG. 5 is a left side view thereof;

FIG. 6 is a right side view thereof;

FIG. 7 is a top view thereof;

FIG. 8 is a bottom view thereof;

FIG. 9 is a perspective view of the bubble gun shown in an alternate broken line environment of use.

FIG. 10 is an enlarged view of the selected portion in FIG. 1;

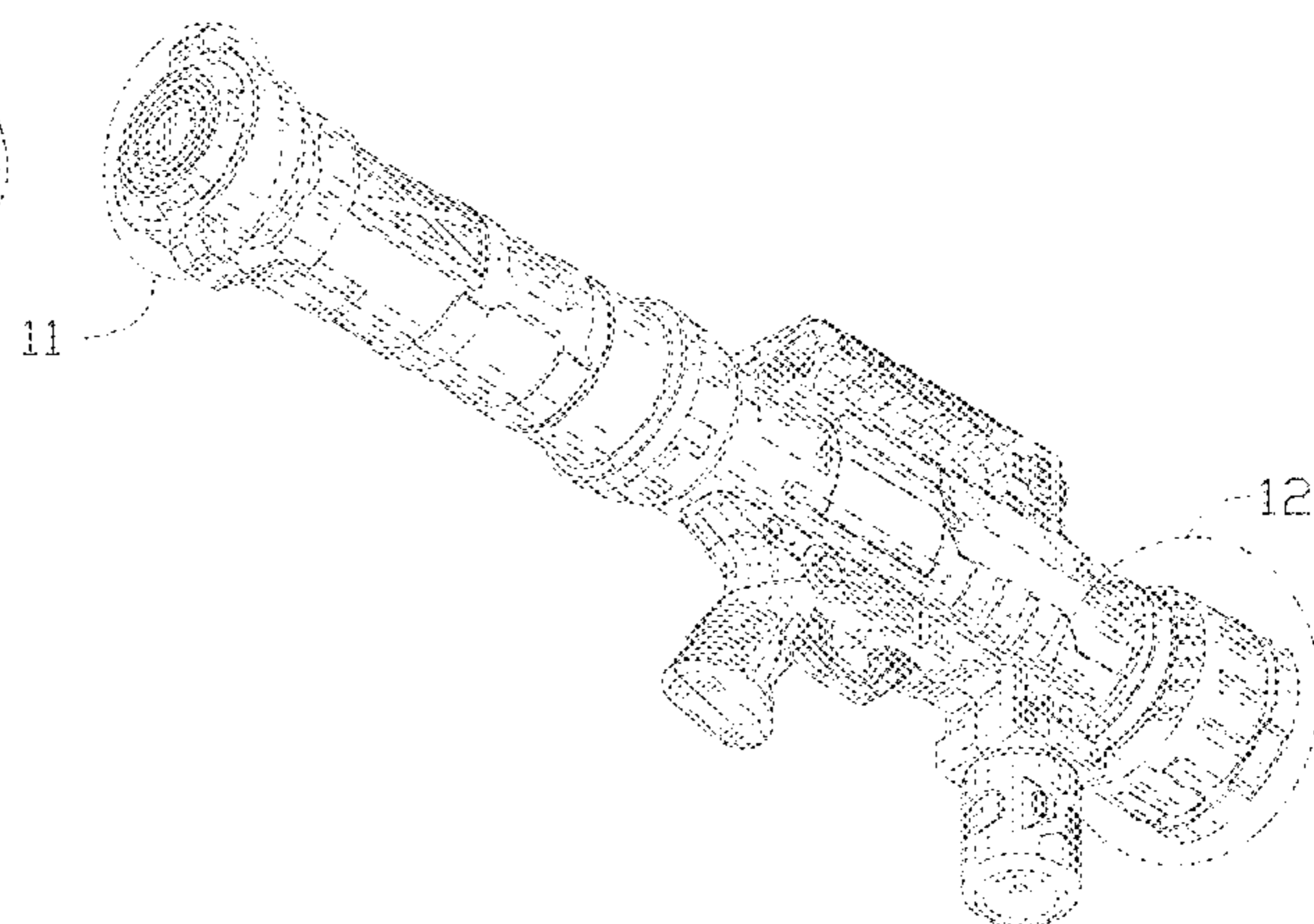
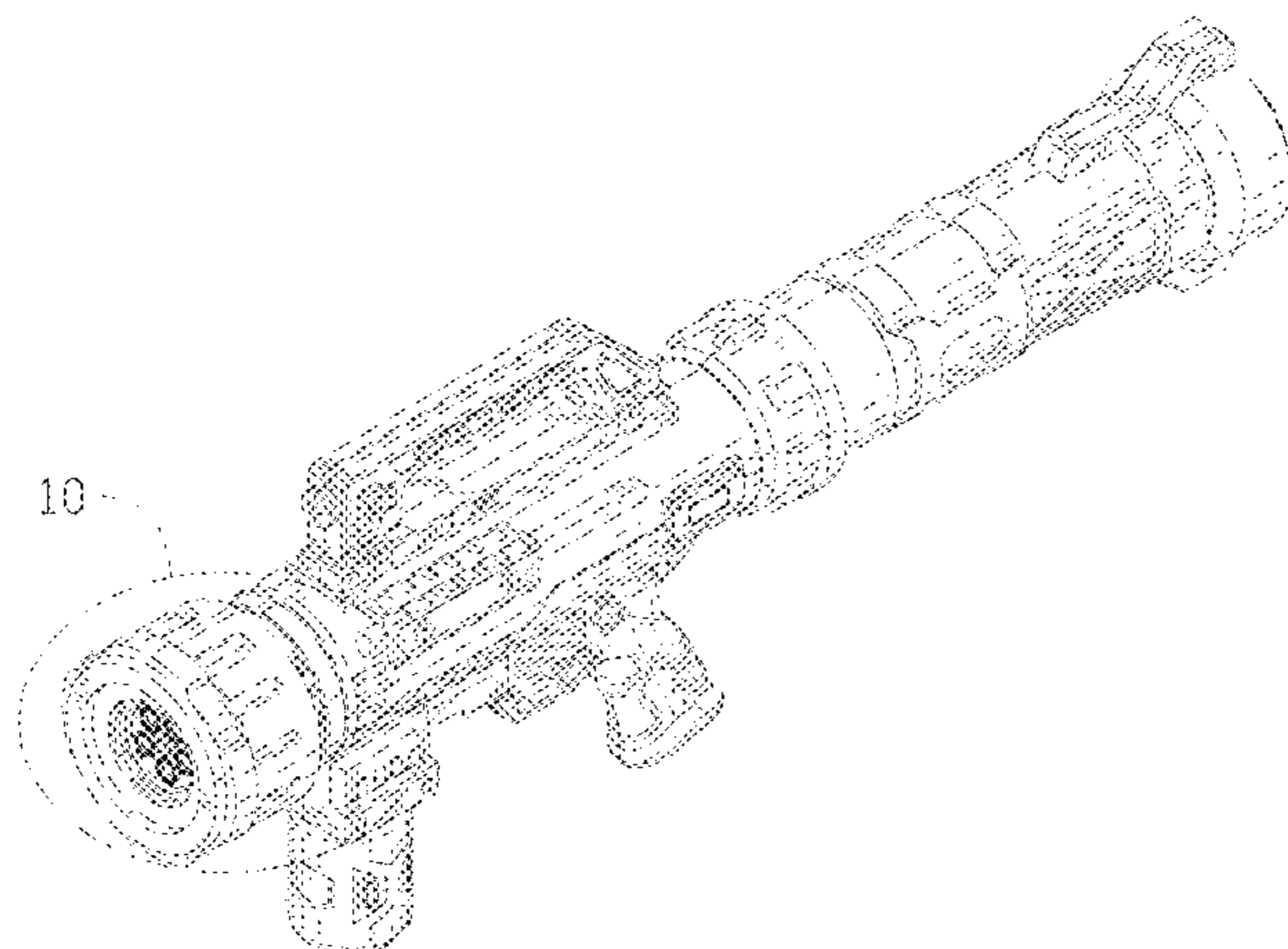
FIG. 11 is an enlarged view of the selected portion in FIG. 2;

FIG. 12 is an enlarged view of the selected portion in FIG. 2; and,

FIG. 13 is an enlarged view of the selected portion in FIG. 9.

The evenly spaced broken lines shown in the drawings depict portions of the bubble gun that form no part of the claimed design; the unevenly spaced broken lines delineate areas of the figures shown enlarged and form no part of the claimed design.

1 Claim, 13 Drawing Sheets



(58) **Field of Classification Search**

CPC 9/0081; F41B 9/0096; A63F 13/837; A63F 13/92; A63F 13/98; A63F 13/00; A63F 13/20; A63F 13/24; A63F 13/245; A63F 9/02; A63F 9/0252; A63F 2009/0256; A63F 2009/0265; A63F 2009/026; G06F 3/011; G06F 3/014; G06F 3/02; G06F 3/0202; G06F 2203/0331; G01S 13/92; G01S 13/91; G01S 13/93; G01S 13/931; G01S 2013/932

See application file for complete search history.

(56) **References Cited**

U.S. PATENT DOCUMENTS

D664,606	S	*	7/2012	Johnson	D21/573
D674,026	S		1/2013	Roos et al.		
D761,365	S		7/2016	Champ		
D786,986	S	*	5/2017	Su	D21/570
D832,370	S	*	10/2018	Chen	D21/573
D832,939	S	*	11/2018	Chen	D21/573
10,495,405	B1	*	12/2019	Ma	F41B 7/08
D908,816	S	*	1/2021	Cheng	D21/573
D947,961	S	*	4/2022	Chen	D21/570
D948,634	S	*	4/2022	Lin	D21/573
D953,470	S	*	5/2022	Windfeldt	D22/108

OTHER PUBLICATIONS

Gatling Bubble Machine, posted at Amazon, review posting date Feb. 19, 2022. Site visited Sep. 9, 2022. URL: <<https://www.amazon.com/Gatling-Bubble-Half-Automatic-Strengthened-Connection/dp/B09ND87NQW/>> (Year: 2022).*

Homily Bubble Machine, posted at Amazon, review posting date Feb. 27, 2020. Site visited Sep. 9, 2022. URL: <<https://www.amazon.com/Homily-Bubble-Machine-Summer-1-3-4-5-8-12/dp/B092SK2YLT/>> (Year: 2020).*

Bubble Machine Gun, posted at Amazon, review posting date Nov. 24, 2021. Site visited Sep. 9, 2022. URL: <<https://www.amazon.com/56-Hole-360-Degree-Launcher-Colorful-Birthday/dp/B09WYHRF5L?th=1>> (Year: 2021).*

Bubble Blower by Gedourain, posted at Amazon, posting date Jul. 6, 2022. Site visited Sep. 9, 2022. URL: <<https://www.amazon.co.uk/Electronic-Components-Ergonomic-Bubble-Machine-Traveling/dp/B0B5WX1KFC/>> (Year: 2022).*

Fleeting Time Rifle Bubble Gun, posted at Amazon, review posting date Mar. 11, 2022. Site visited Sep. 9, 2022. URL: <<https://www.amazon.com/Fleeting-Time-Automatic-Birthday-Activities/product-reviews/B09Y4ZXVCY/>> (Year: 2022).*

* cited by examiner

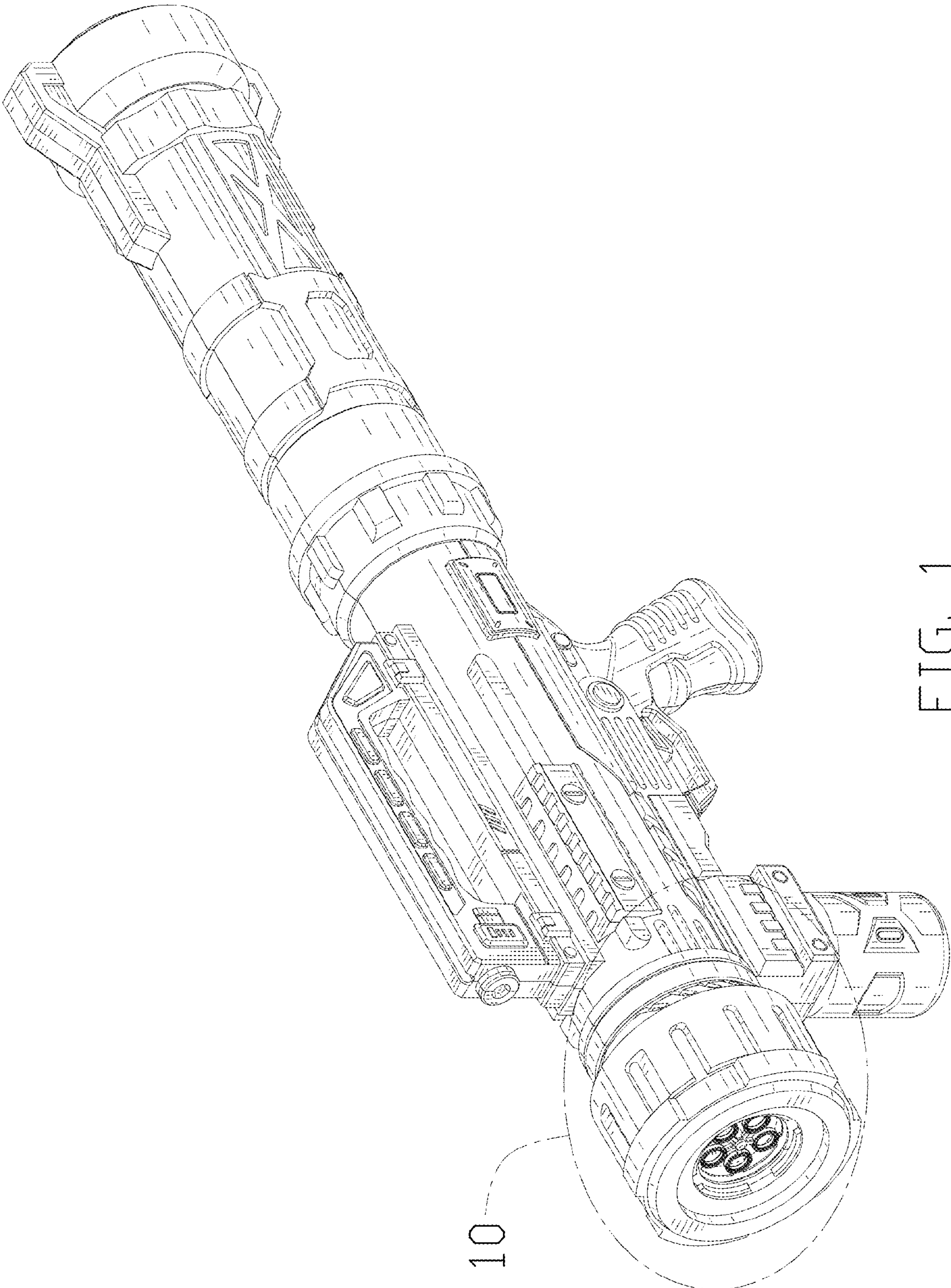


FIG. 1

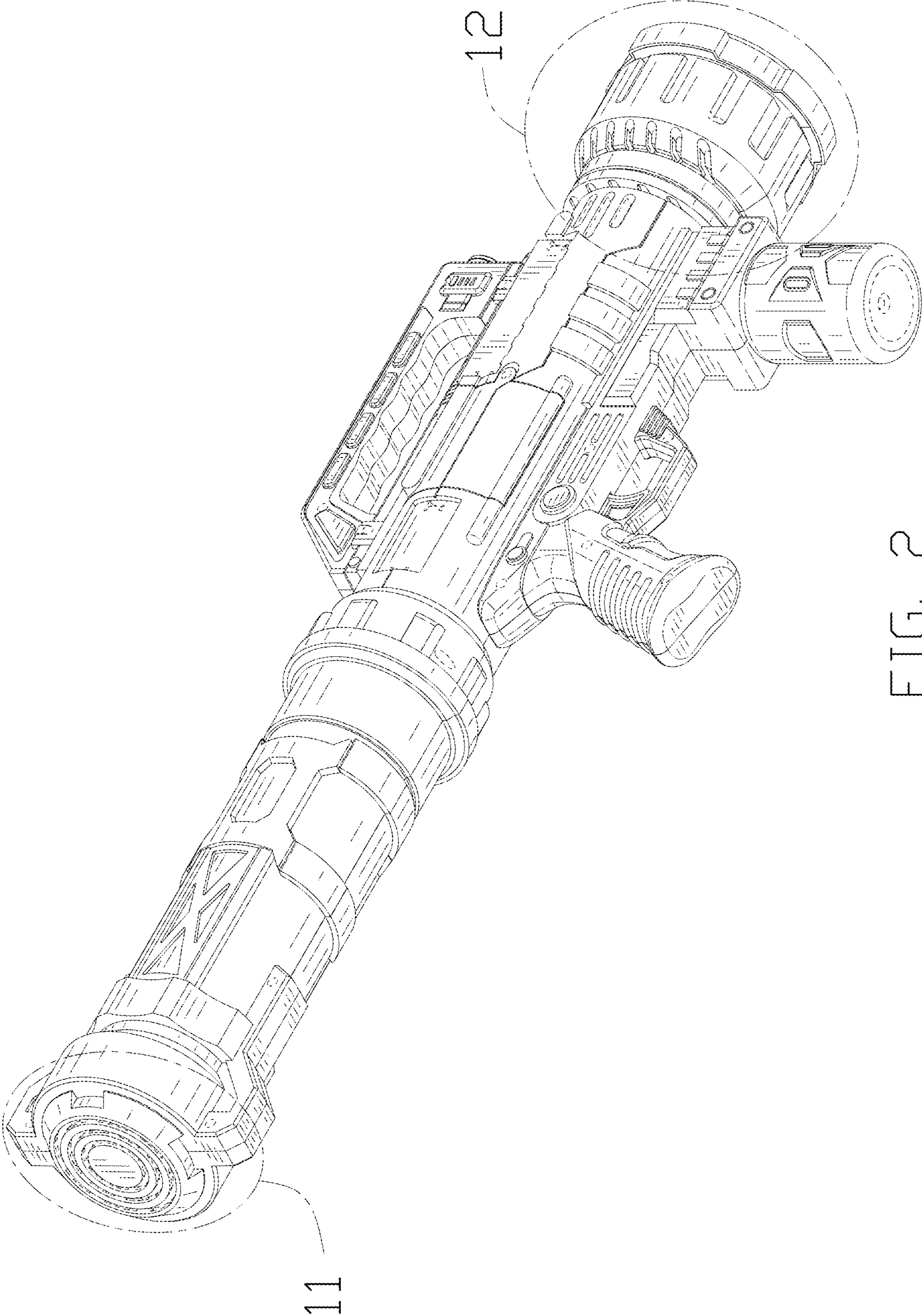


FIG. 2

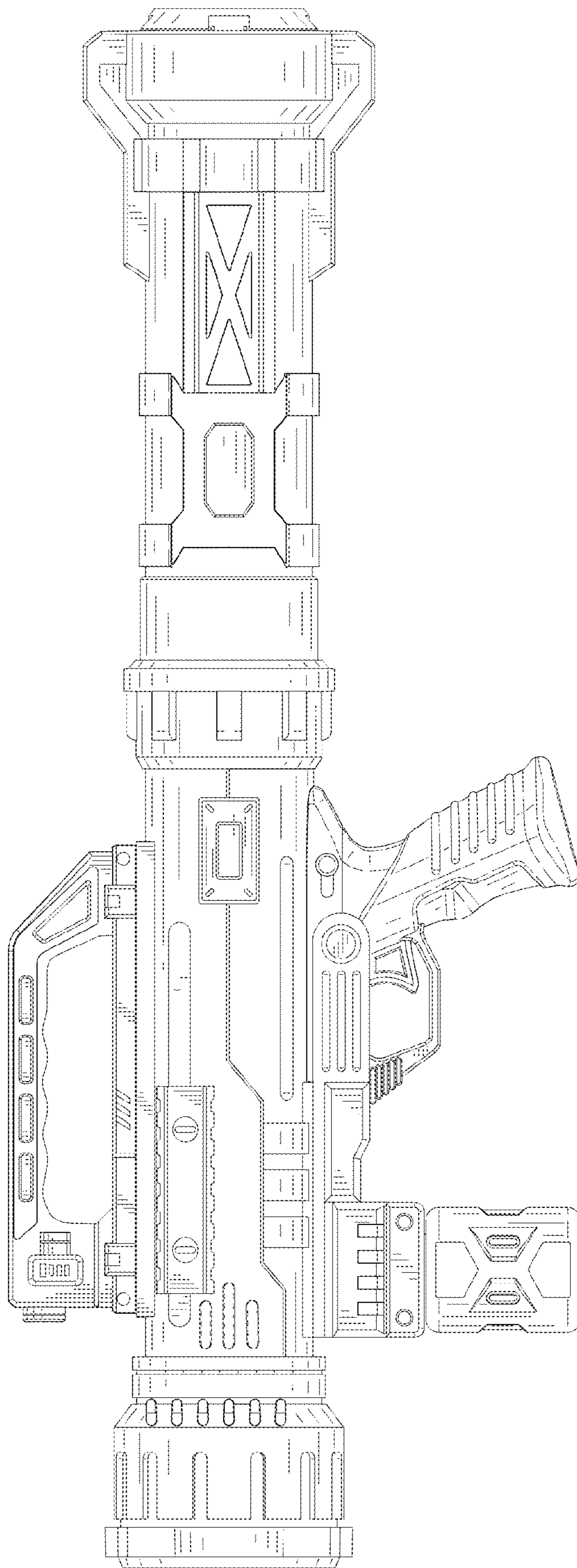


FIG. 3

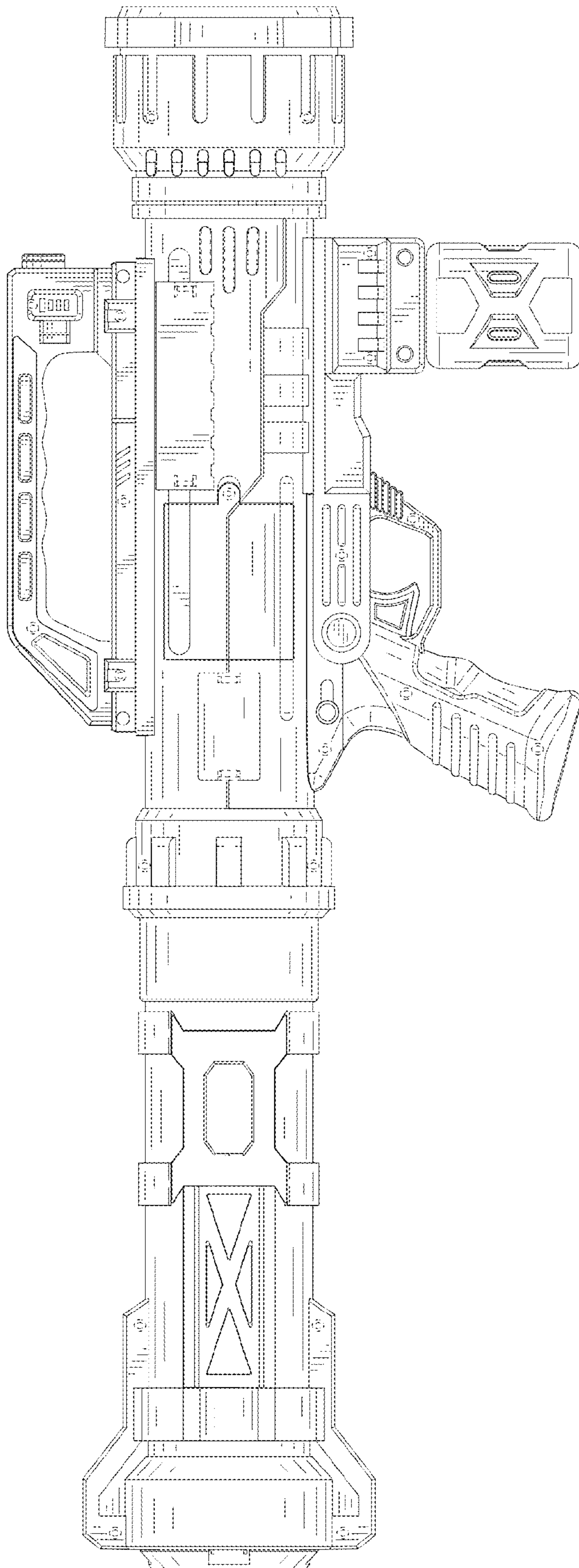


FIG. 4

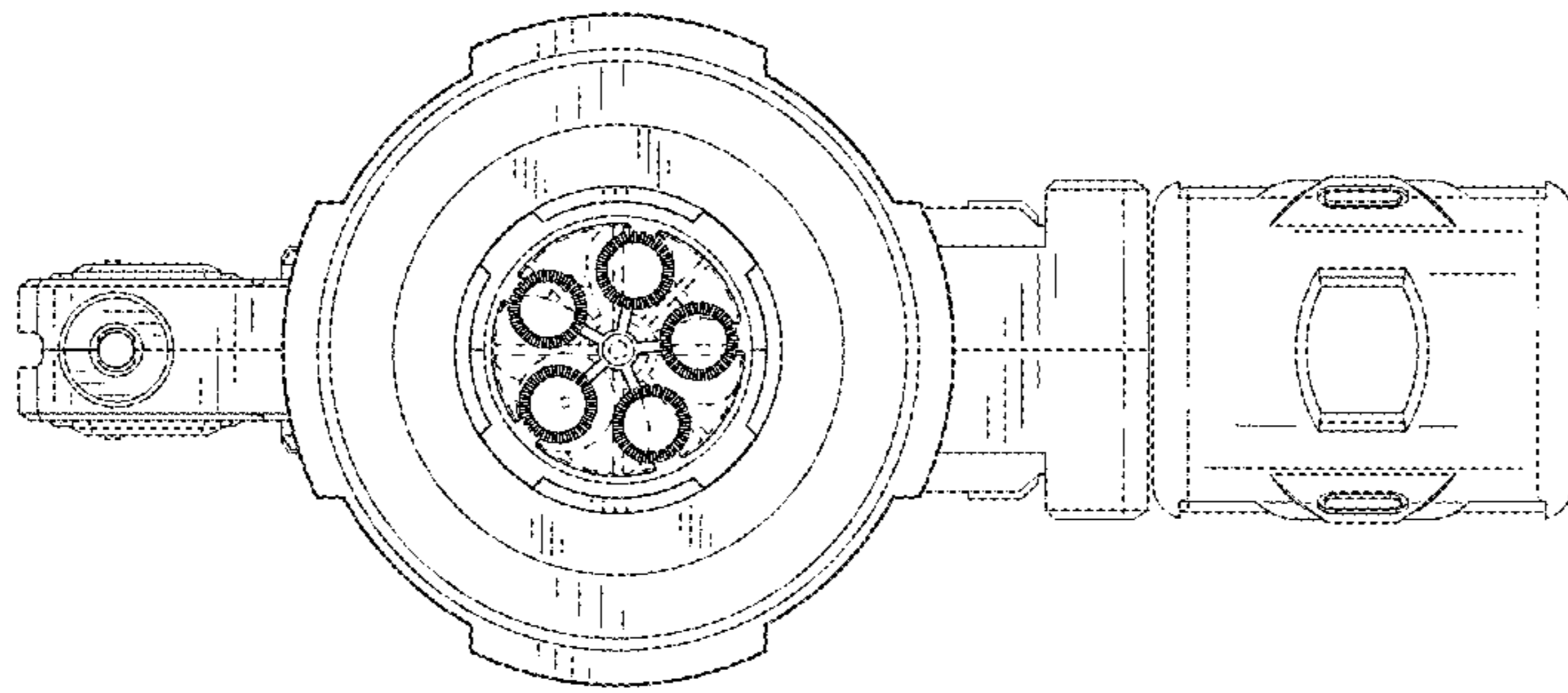


FIG. 5

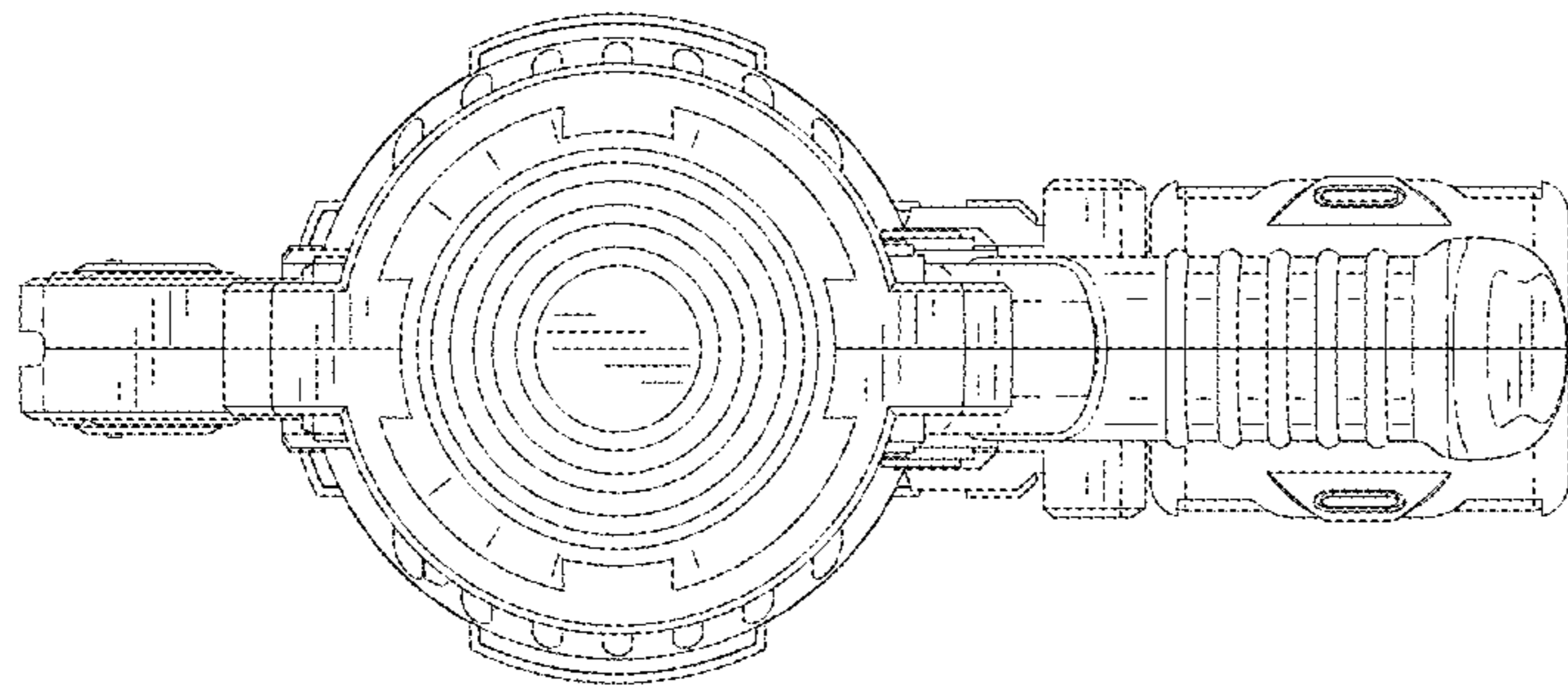


FIG. 6

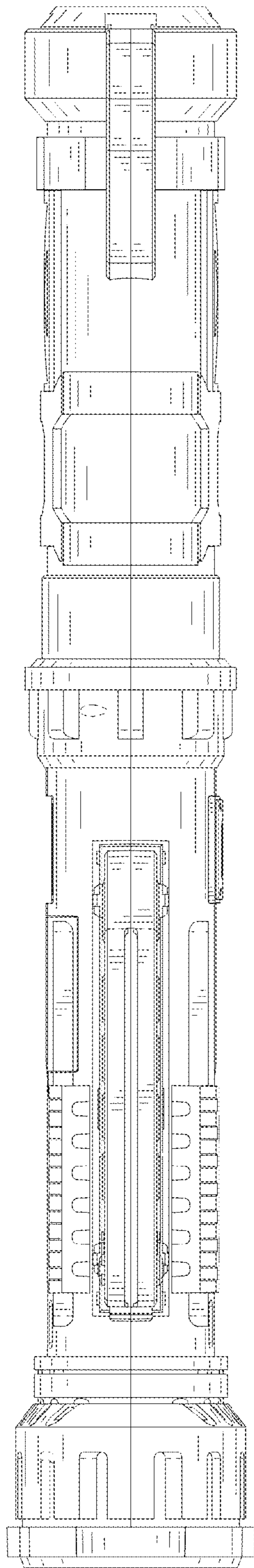


FIG. 7

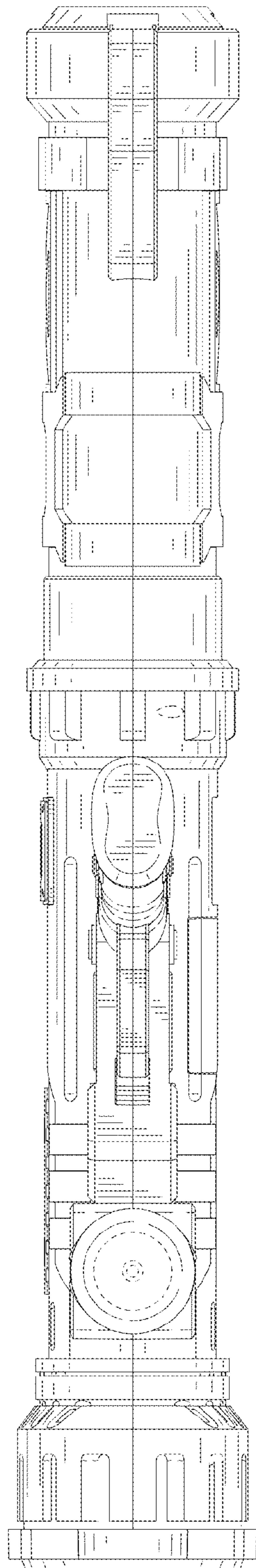


FIG. 8

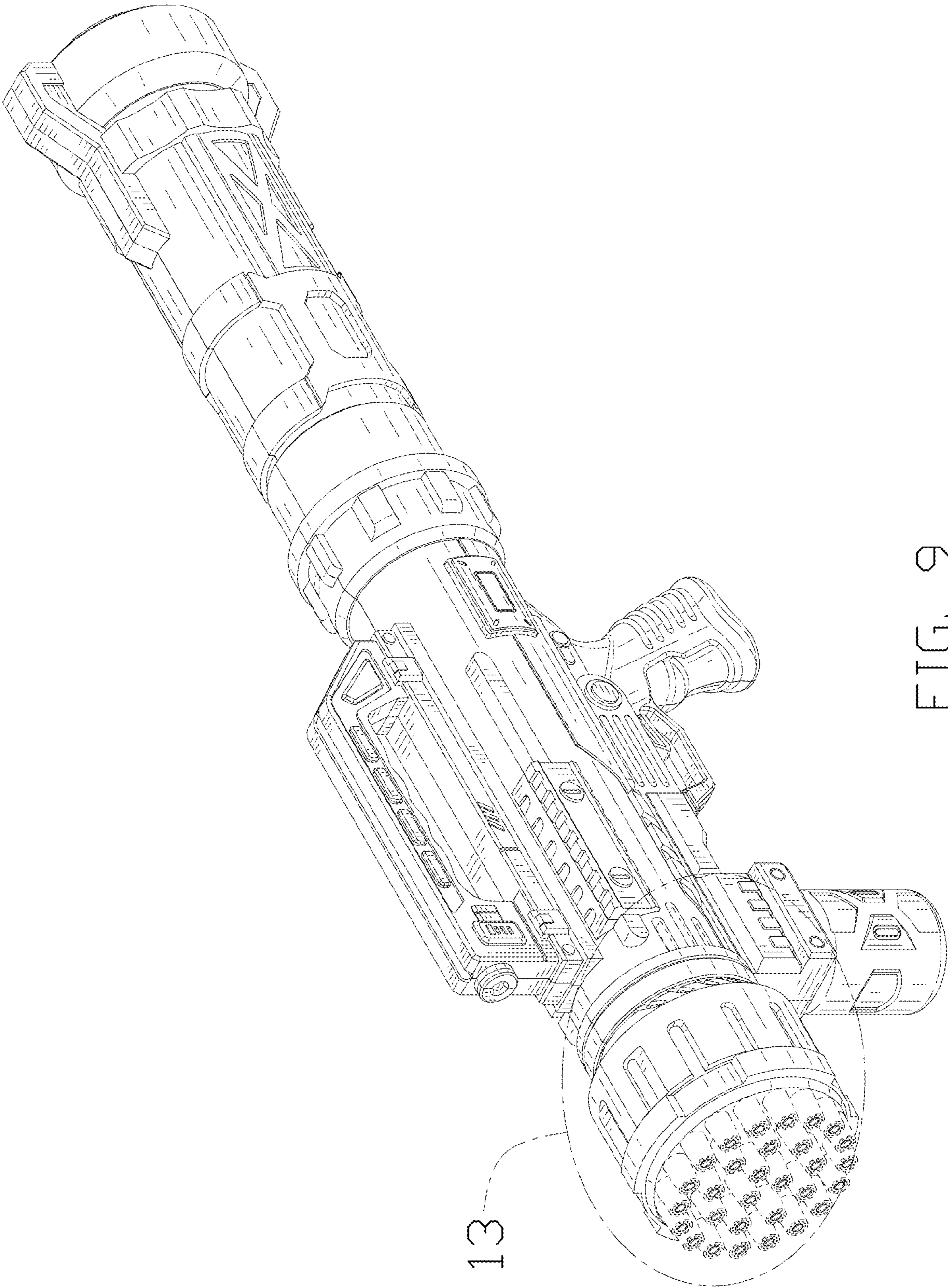


FIG. 9

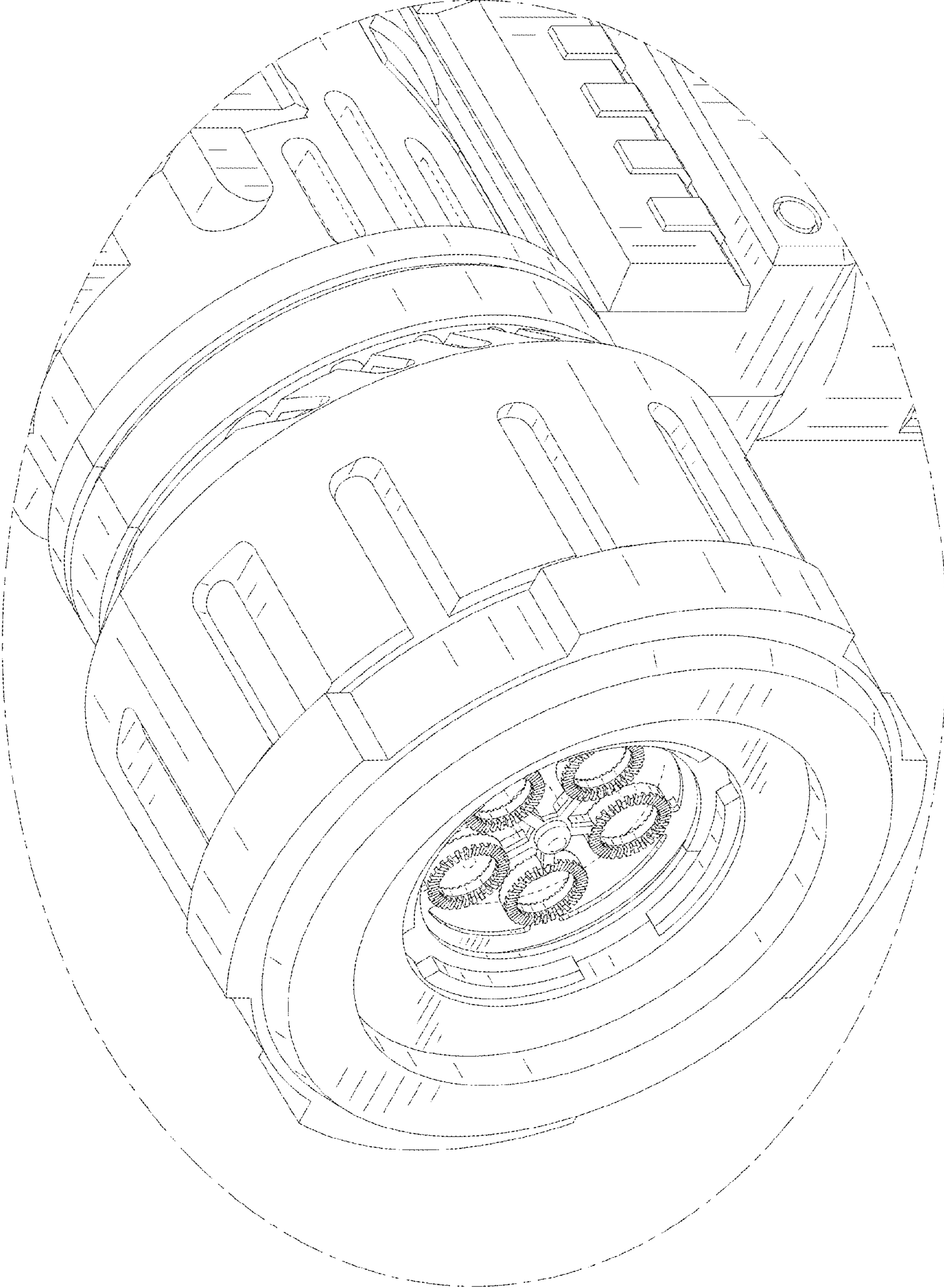


FIG. 10

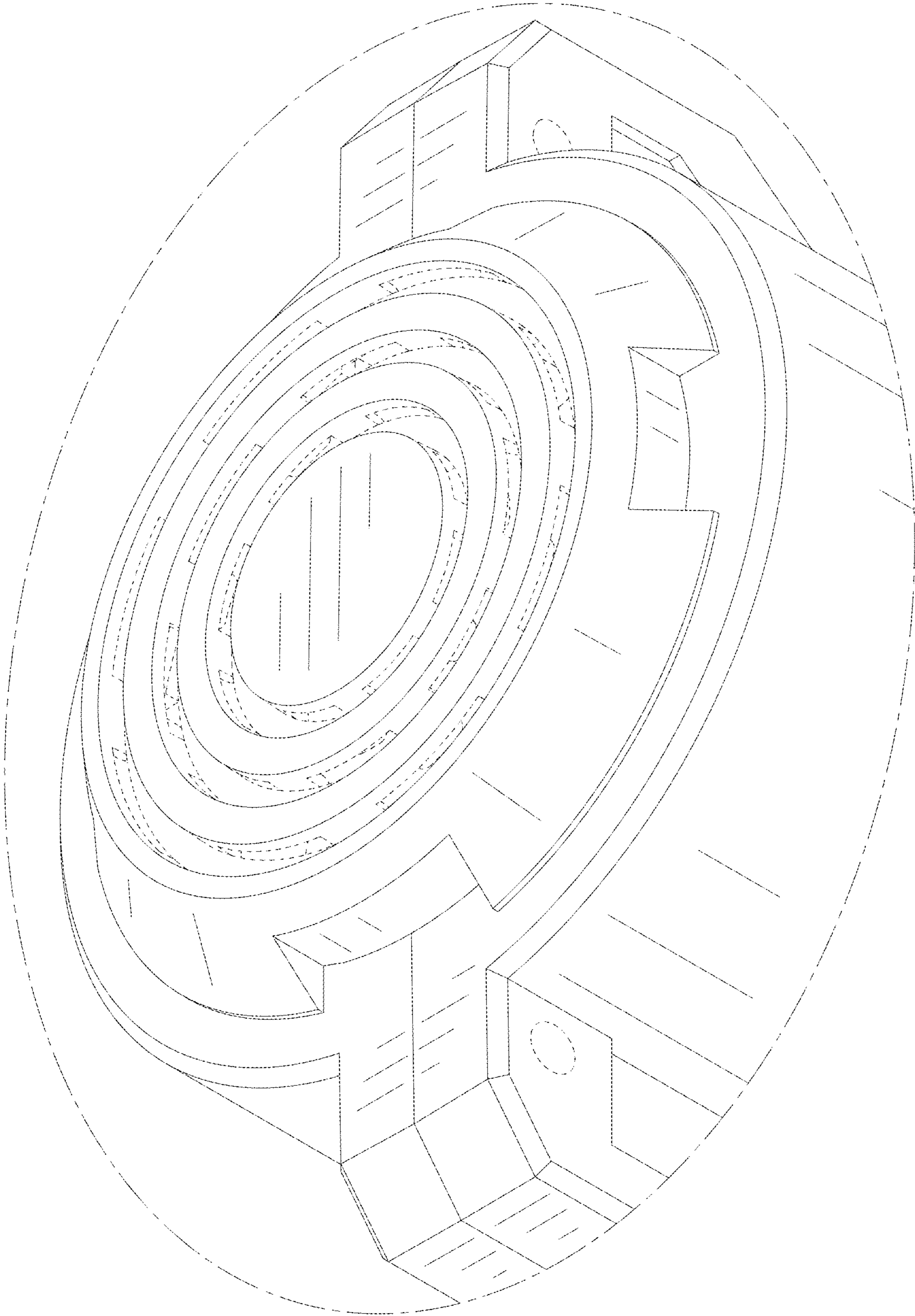


FIG. 11

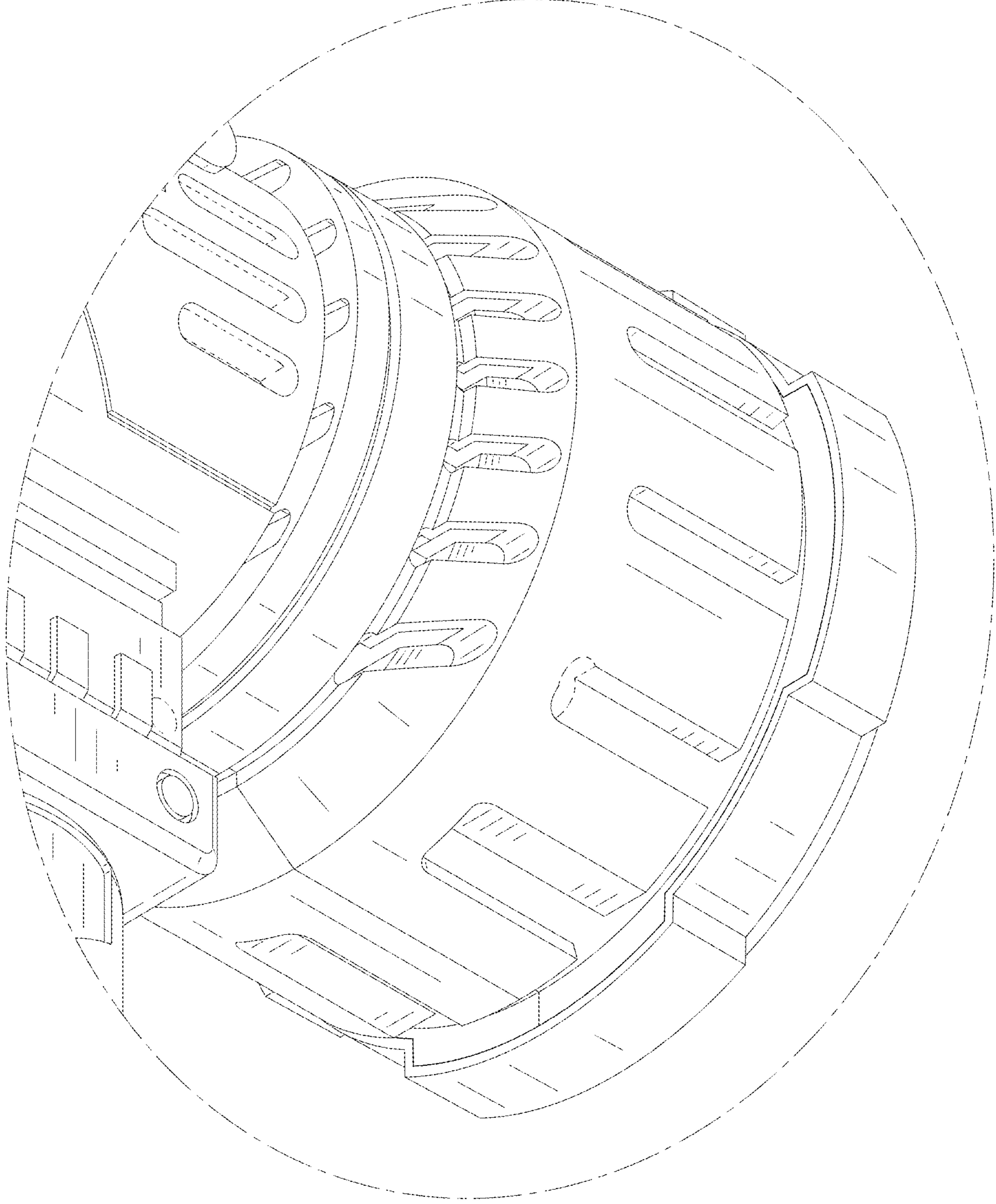


FIG. 12

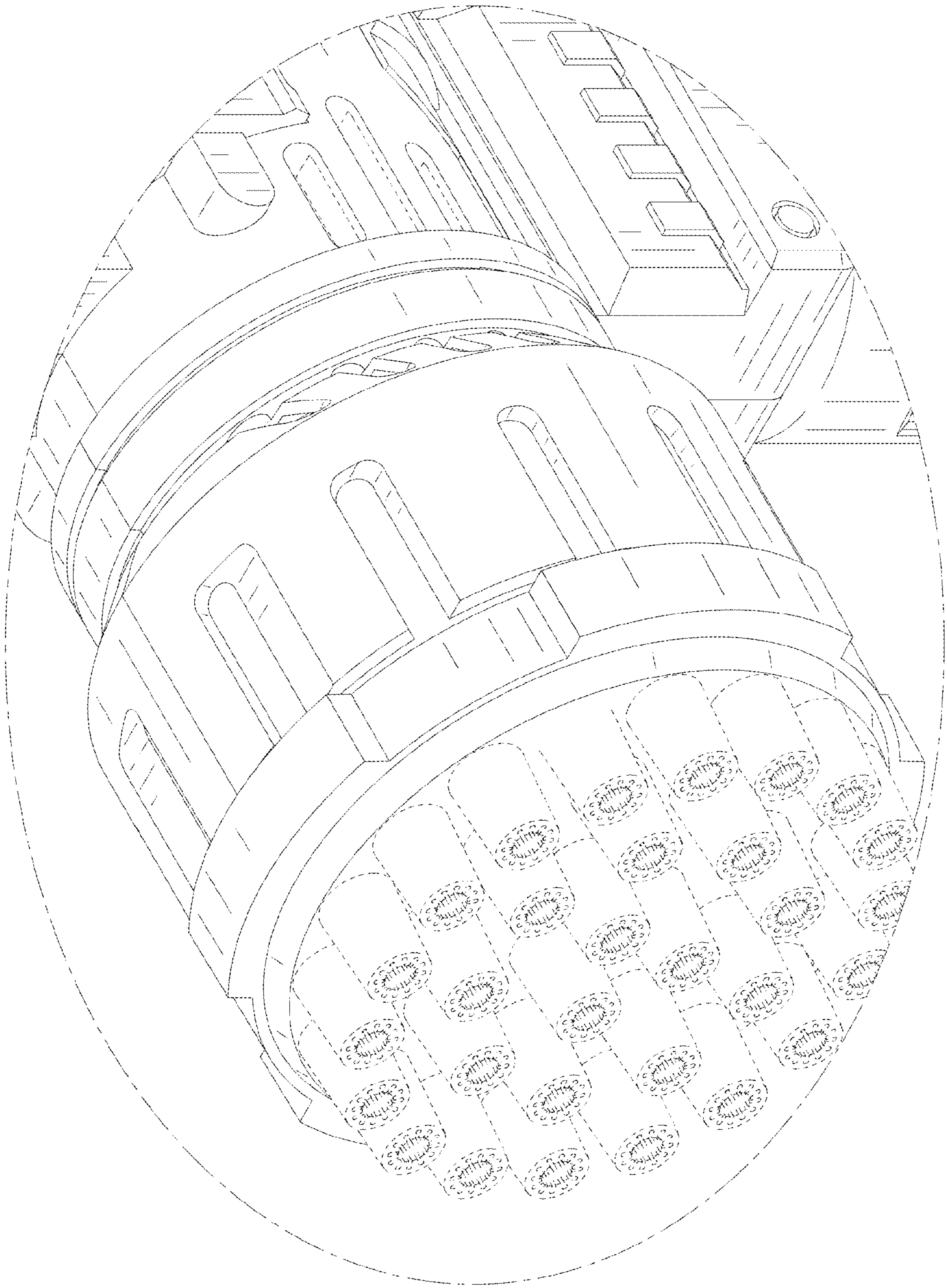


FIG. 13