



US00D968528S

(12) **United States Design Patent**  
**He et al.**

(10) **Patent No.:** **US D968,528 S**  
(45) **Date of Patent:** **\*\* Nov. 1, 2022**

(54) **REMOTE CONTROLLER**

- (71) Applicant: **SZ DJI TECHNOLOGY CO., LTD.**,  
Shenzhen (CN)
- (72) Inventors: **Yanyao He**, Shenzhen (CN); **Bolin Hong**, Shenzhen (CN); **Jaewan Jeong**,  
Shenzhen (CN)
- (73) Assignee: **SZ DJI TECHNOLOGY CO., LTD.**,  
Shenzhen (CN)
- (\*\*) Term: **15 Years**
- (21) Appl. No.: **29/760,040**
- (22) Filed: **Nov. 27, 2020**
- (51) **LOC (13) Cl.** ..... **21-01**
- (52) **U.S. Cl.**  
USPC ..... **D21/566**; D12/174
- (58) **Field of Classification Search**  
USPC ..... D12/174, 177, 179, 180, 400; D14/218,  
D14/349, 401, 480.5; D21/566, 567, 568,  
(Continued)

(56) **References Cited**

U.S. PATENT DOCUMENTS

- D504,430 S \* 4/2005 Takahashi ..... D14/401
  - D693,345 S \* 11/2013 Ibuki ..... D14/401
- (Continued)

*Primary Examiner* — Susan E Krakower

*Assistant Examiner* — Jerry Shiuan-Hua Hsu

(74) *Attorney, Agent, or Firm* — Anova Law Group,  
PLLC

(57) **CLAIM**

The ornamental design for a remote controller, as shown and described.

**DESCRIPTION**

FIG. 1 is a front perspective view of a first embodiment of a remote controller in accordance with the present disclosure;

FIG. 2 is a rear perspective view of the remote controller shown in FIG. 1;  
 FIG. 3 is a view of the remote controller shown in FIG. 1 from the front;  
 FIG. 4 is a view of the remote controller shown in FIG. 1 from the rear;  
 FIG. 5 is a view of the remote controller shown in FIG. 1 from the left;  
 FIG. 6 is a view of the remote controller shown in FIG. 1 from the right;  
 FIG. 7 is a view of the remote controller shown in FIG. 1 from the top;  
 FIG. 8 is a view of the remote controller shown in FIG. 1 from the bottom;  
 FIG. 9 is a front perspective view of the remote controller shown in FIG. 1 in a different configuration;  
 FIG. 10 is a rear perspective view of the remote controller shown in FIG. 9;  
 FIG. 11 is a view of the remote controller shown in FIG. 9 from the front;  
 FIG. 12 is a view of the remote controller shown in FIG. 9 from the rear;  
 FIG. 13 is a view of the remote controller shown in FIG. 9 from the left;  
 FIG. 14 is a view of the remote controller shown in FIG. 9 from the right;  
 FIG. 15 is a view of the remote controller shown in FIG. 9 from the top;  
 FIG. 16 is a view of the remote controller shown in FIG. 9 from the bottom;  
 FIG. 17 is a front perspective view of a second embodiment of a remote controller in accordance with the present disclosure;  
 FIG. 18 is a rear perspective view of the remote controller shown in FIG. 17;  
 FIG. 19 is a view of the remote controller shown in FIG. 17 from the front;  
 FIG. 20 is a view of the remote controller shown in FIG. 17 from the rear;  
 FIG. 21 is a view of the remote controller shown in FIG. 17 from the left;  
 FIG. 22 is a view of the remote controller shown in FIG. 17 from the right;

(Continued)

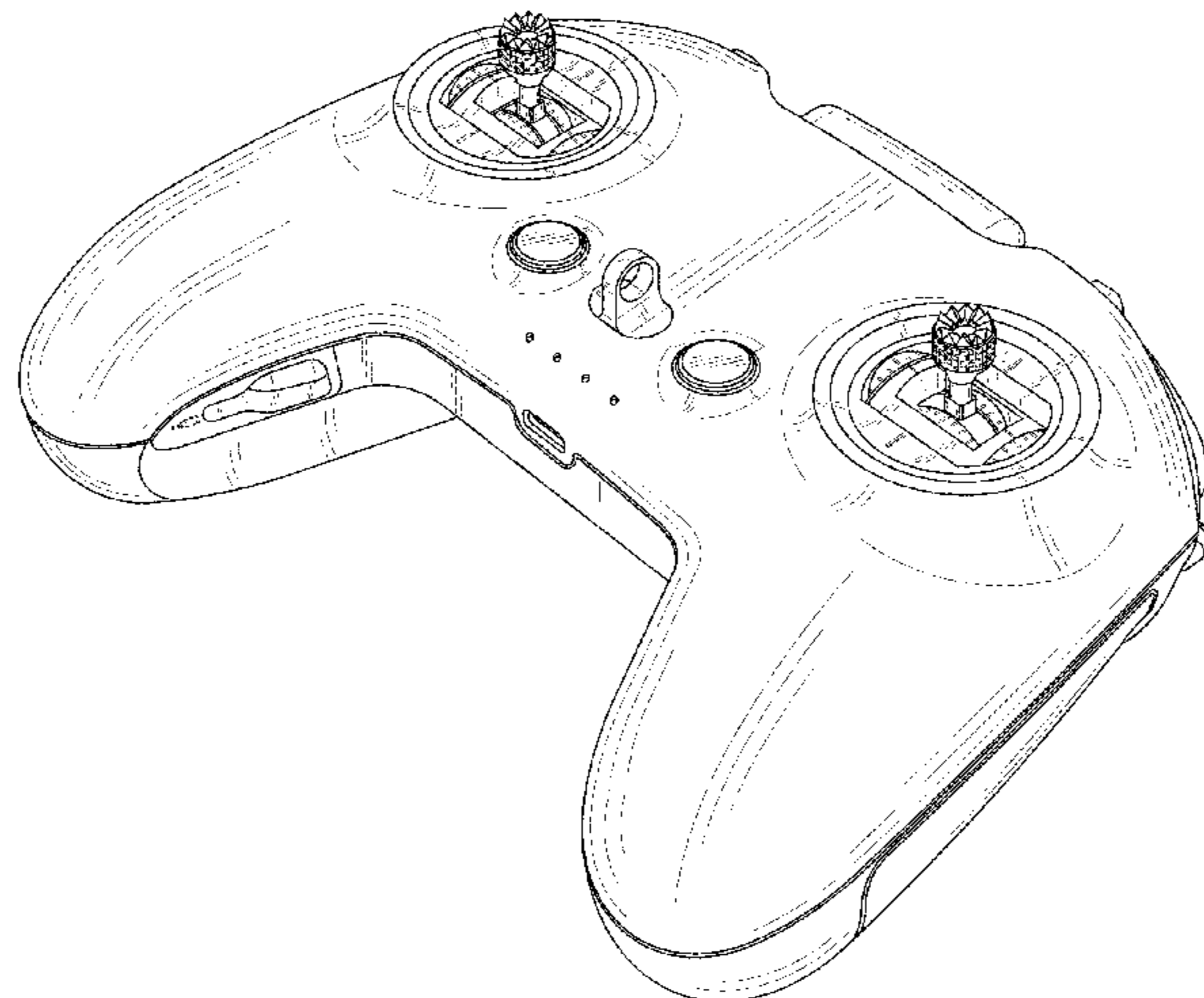


FIG. 23 is a view of the remote controller shown in FIG. 17 from the top;  
 FIG. 24 is a view of the remote controller shown in FIG. 17 from the bottom;  
 FIG. 25 is a front perspective view of the remote controller shown in FIG. 17 in a different configuration;  
 FIG. 26 is a rear perspective view of the remote controller shown in FIG. 25;  
 FIG. 27 is a view of the remote controller shown in FIG. 25 from the front;  
 FIG. 28 is a view of the remote controller shown in FIG. 25 from the rear;  
 FIG. 29 is a view of the remote controller shown in FIG. 25 from the left;  
 FIG. 30 is a view of the remote controller shown in FIG. 25 from the right;  
 FIG. 31 is a view of the remote controller shown in FIG. 25 from the top; and,  
 FIG. 32 is a view of the remote controller shown in FIG. 25 from the bottom.  
 The broken lines in the figures show portions of the remote controller that form no part of the claimed design.

**1 Claim, 32 Drawing Sheets**

(58) **Field of Classification Search**

USPC ..... D21/570, 571, 436, 441, 453, 454, 333, D21/330  
 CPC ..... G06F 1/00; G06F 1/633; G06F 1/1613; G06F 1/16; A63H 29/22; A63H 27/02; A63H 30/04  
 See application file for complete search history.

(56) **References Cited**

U.S. PATENT DOCUMENTS

D707,758	S	*	6/2014	Norman	.....	D14/401
D712,970	S	*	9/2014	Biheller	.....	D21/333
D712,982	S	*	9/2014	Barajas	.....	D21/566
D782,581	S	*	3/2017	Barajas	.....	D21/566
D794,135	S	*	8/2017	Snyder	.....	D21/566
D817,416	S	*	5/2018	Pecorari	.....	D21/566
D823,949	S	*	7/2018	Lu	.....	D21/566
D839,969	S	*	2/2019	Kim	.....	D14/401
D844,716	S	*	4/2019	Gan	.....	D14/401
D851,710	S	*	6/2019	Zhou	.....	D14/401
D885,497	S	*	5/2020	Miller	.....	D21/333
D898,130	S	*	10/2020	Zhou	.....	D21/566
D931,386	S	*	9/2021	Kim	.....	D12/174
D934,958	S	*	11/2021	Du	.....	D21/566

\* cited by examiner



FIG. 1

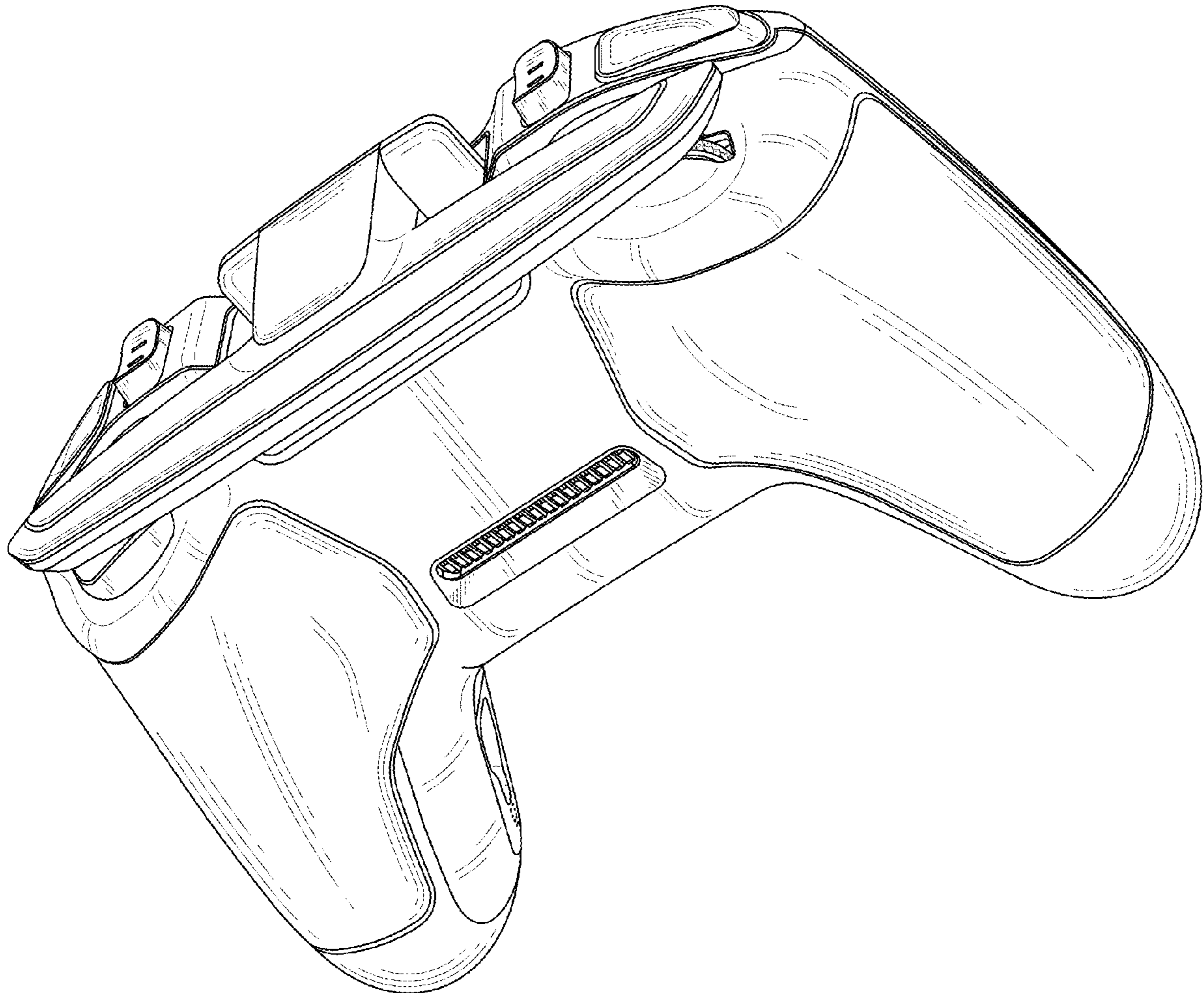


FIG. 2

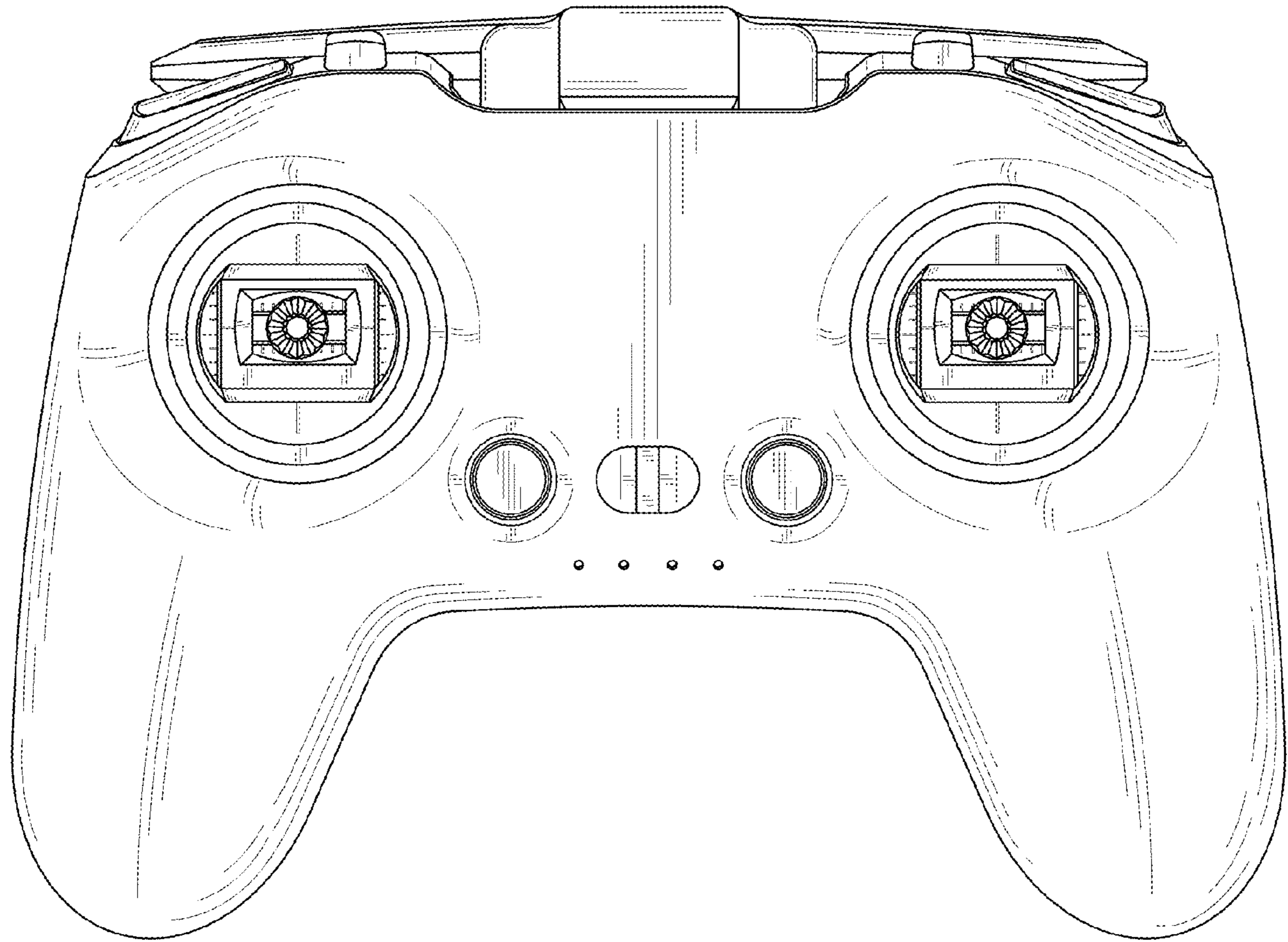


FIG. 3

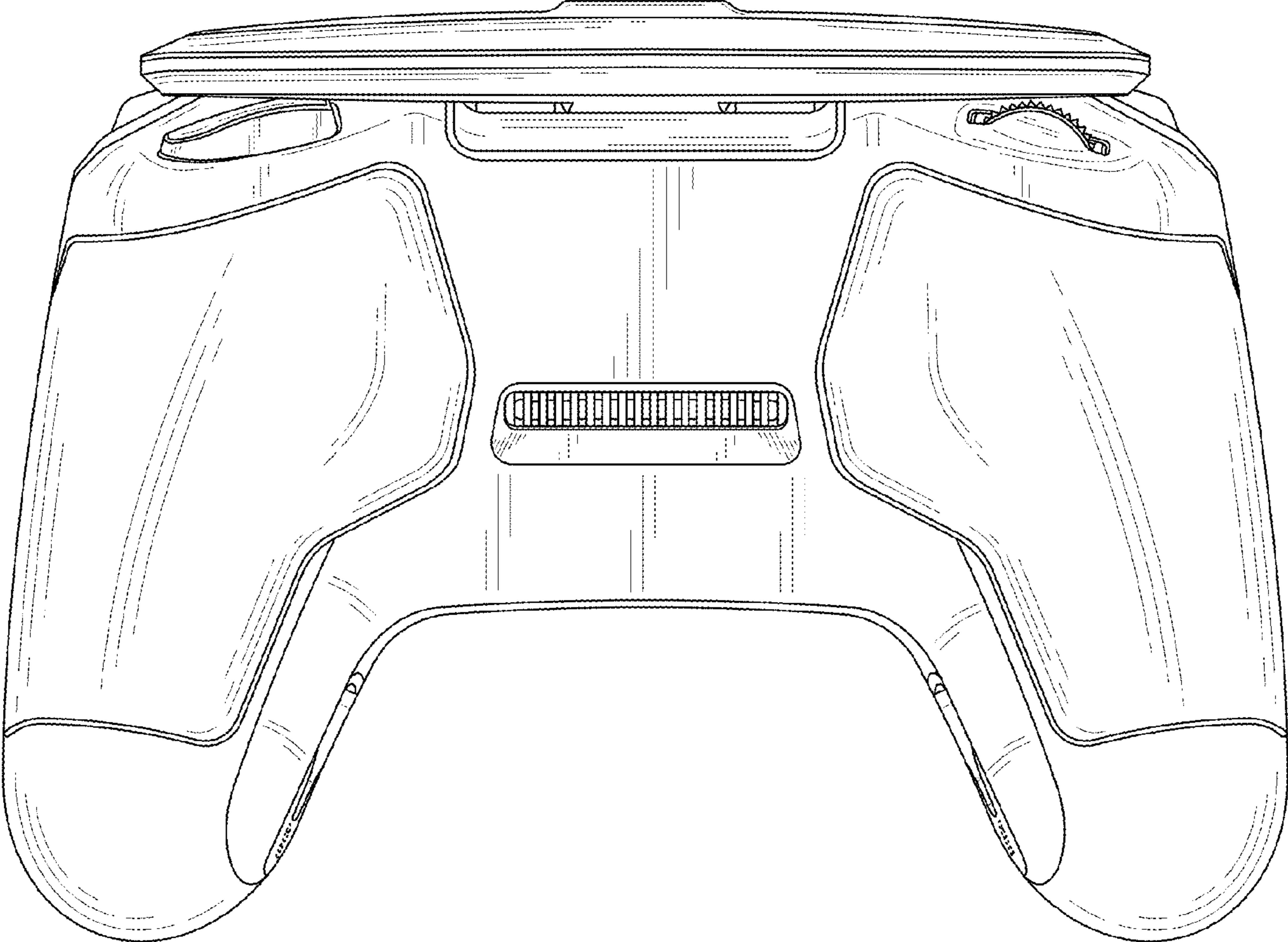


FIG. 4

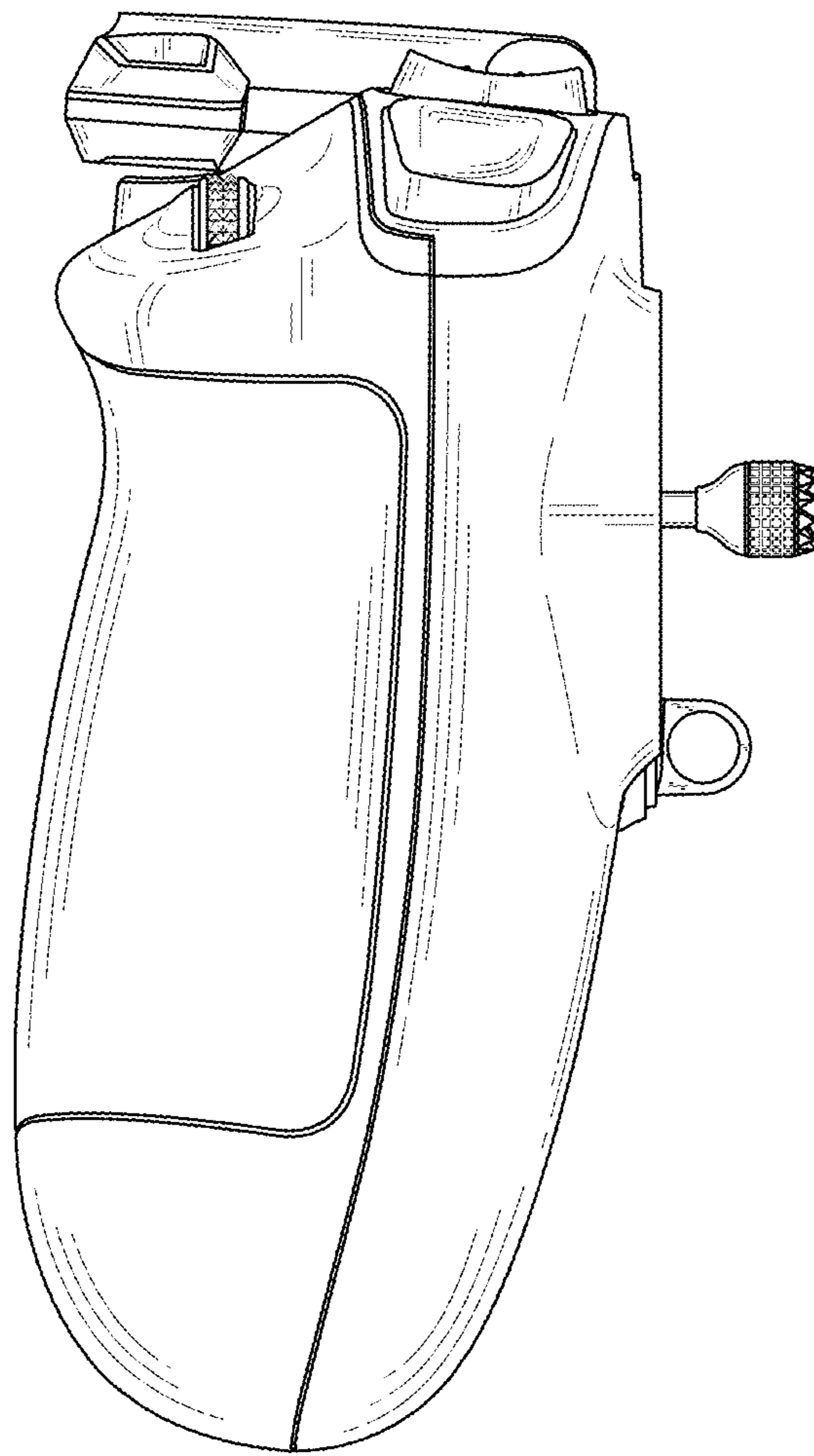


FIG. 5

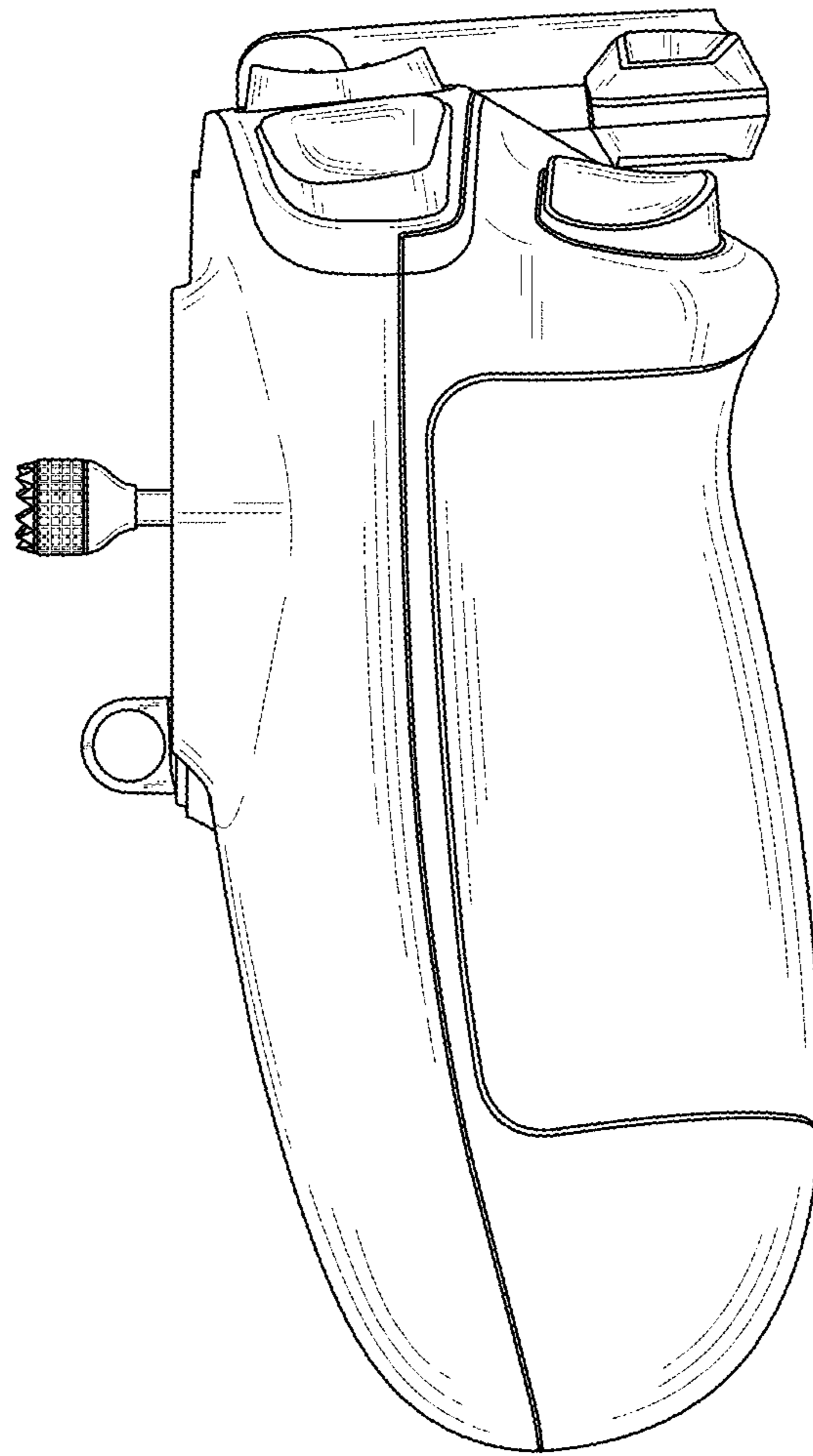


FIG. 6



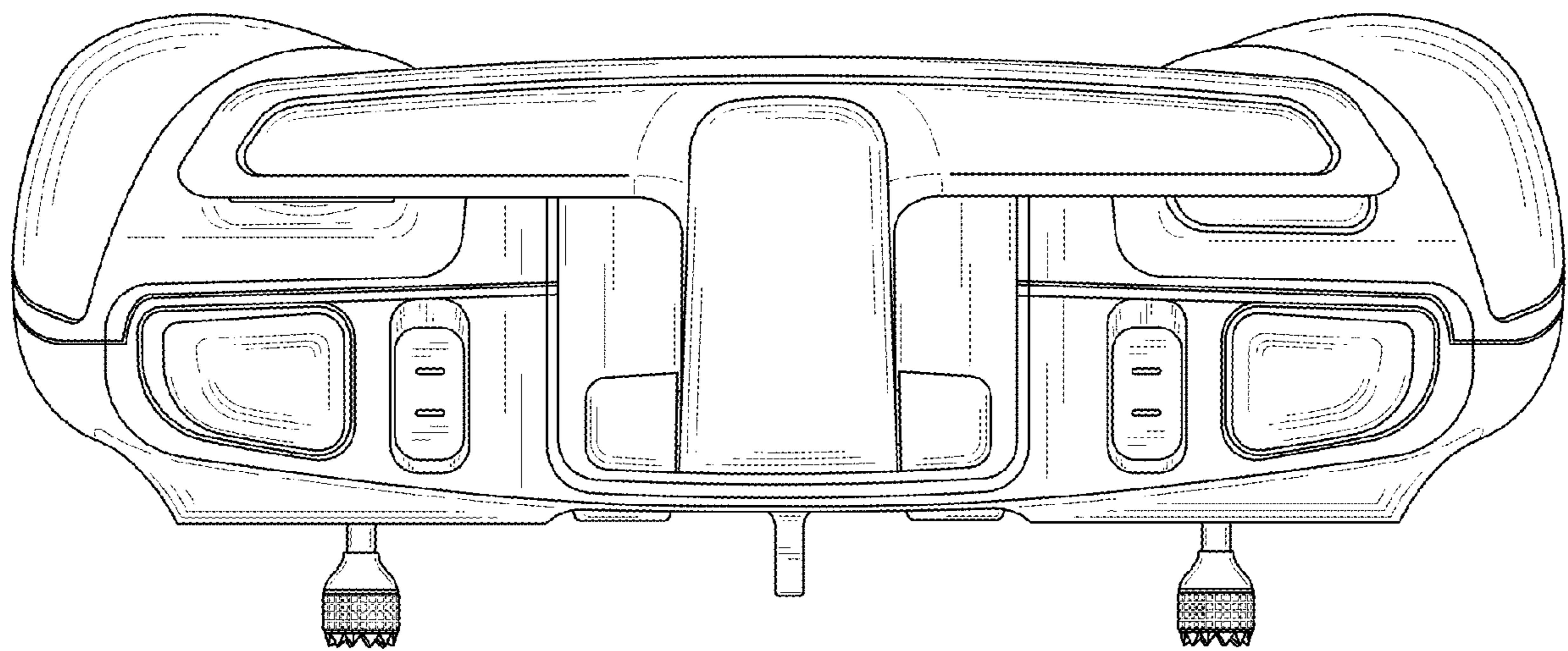


FIG. 7

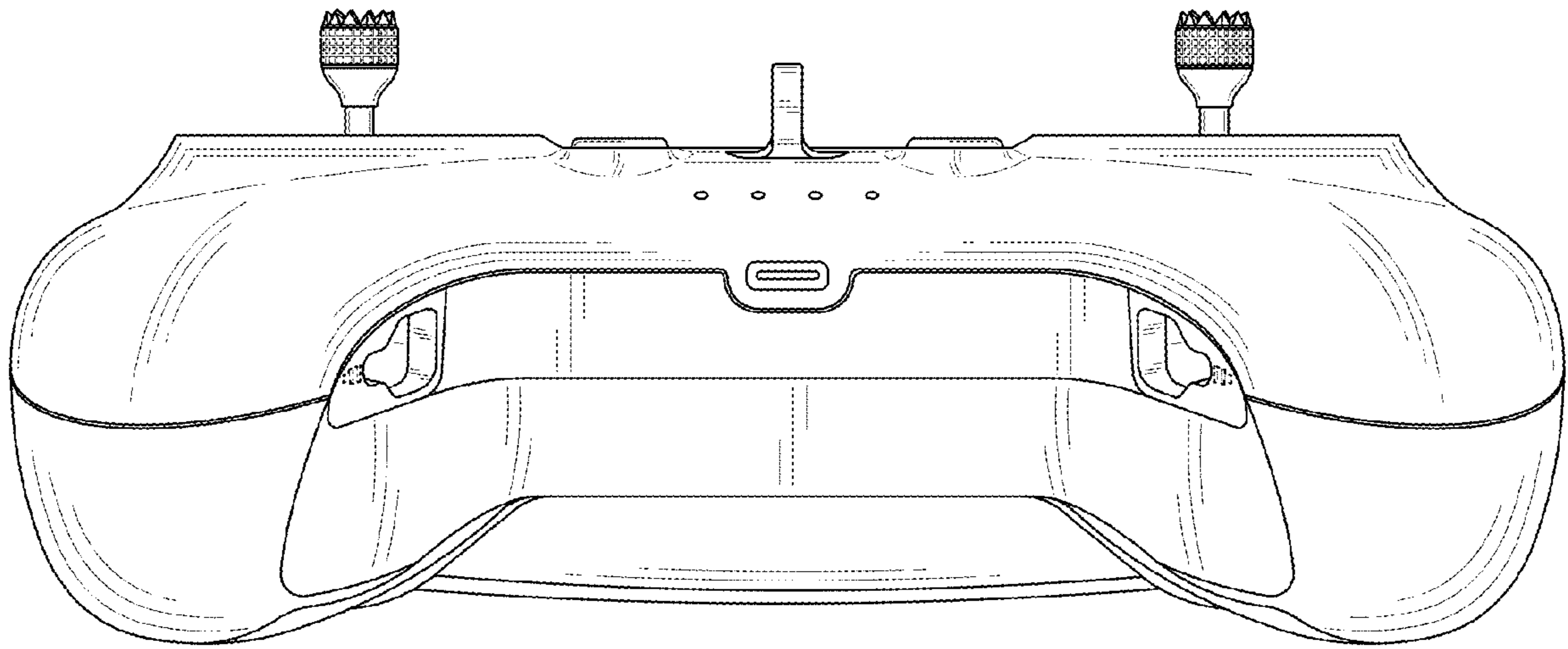


FIG. 8



FIG. 9

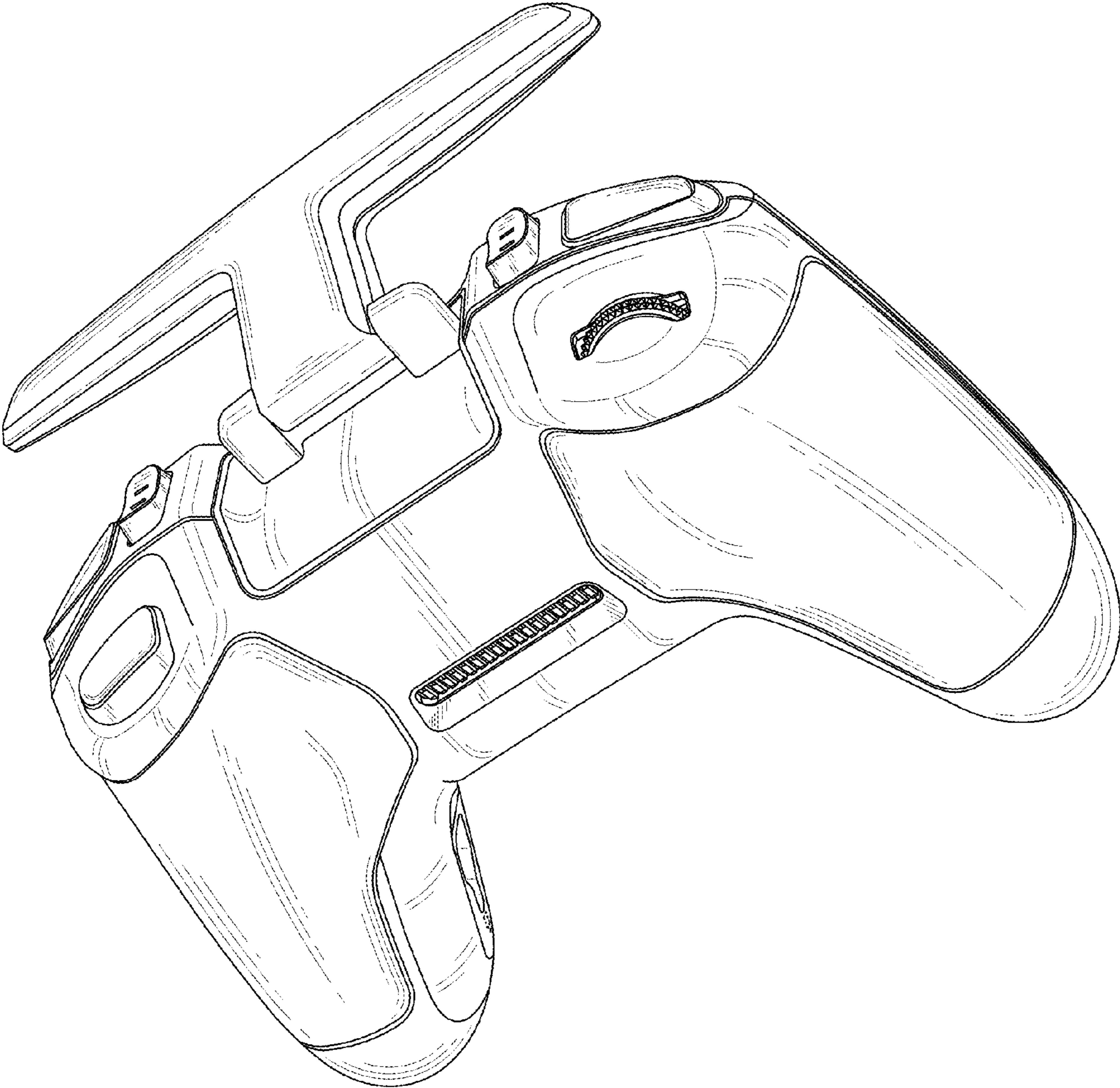


FIG. 10

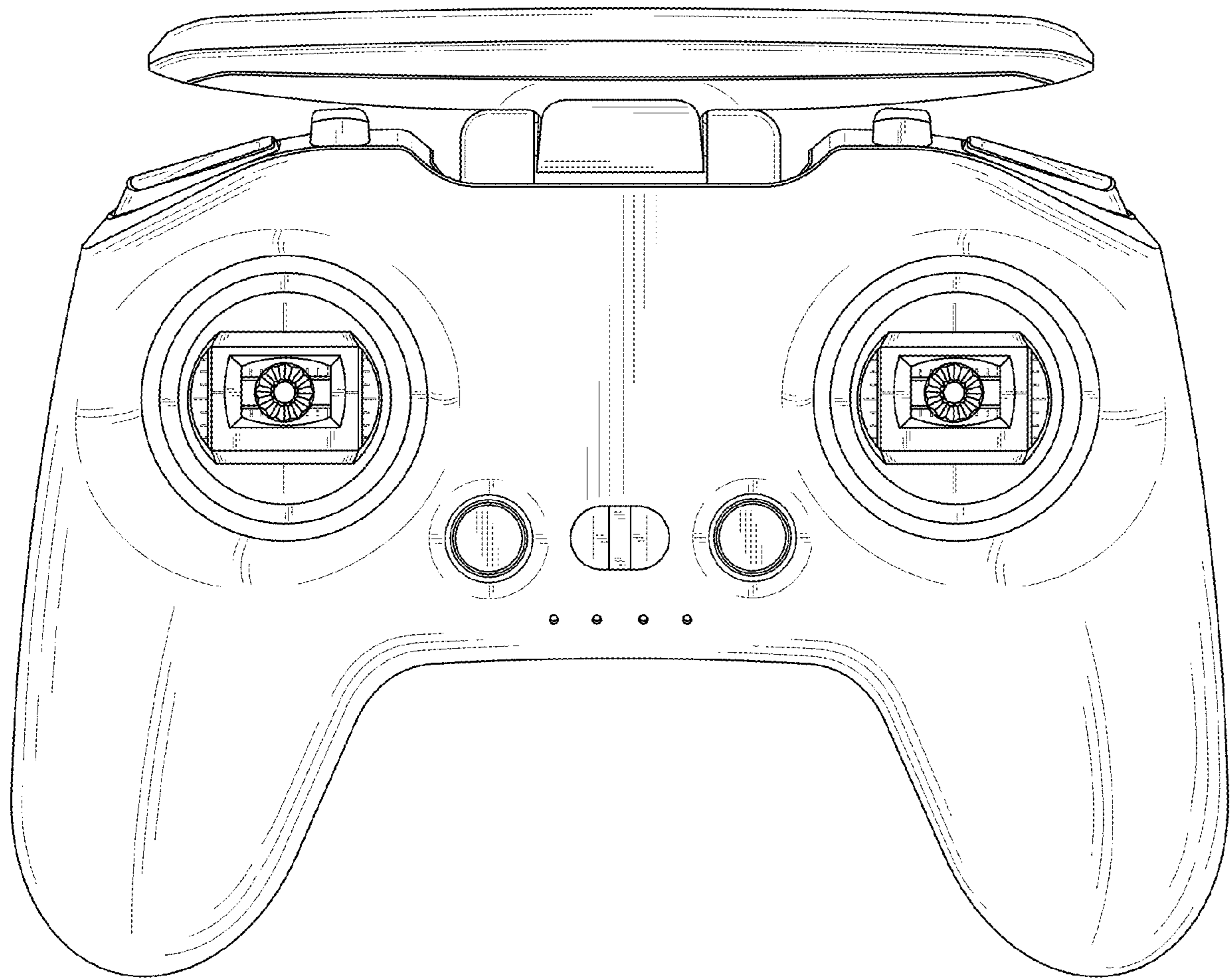


FIG. 11

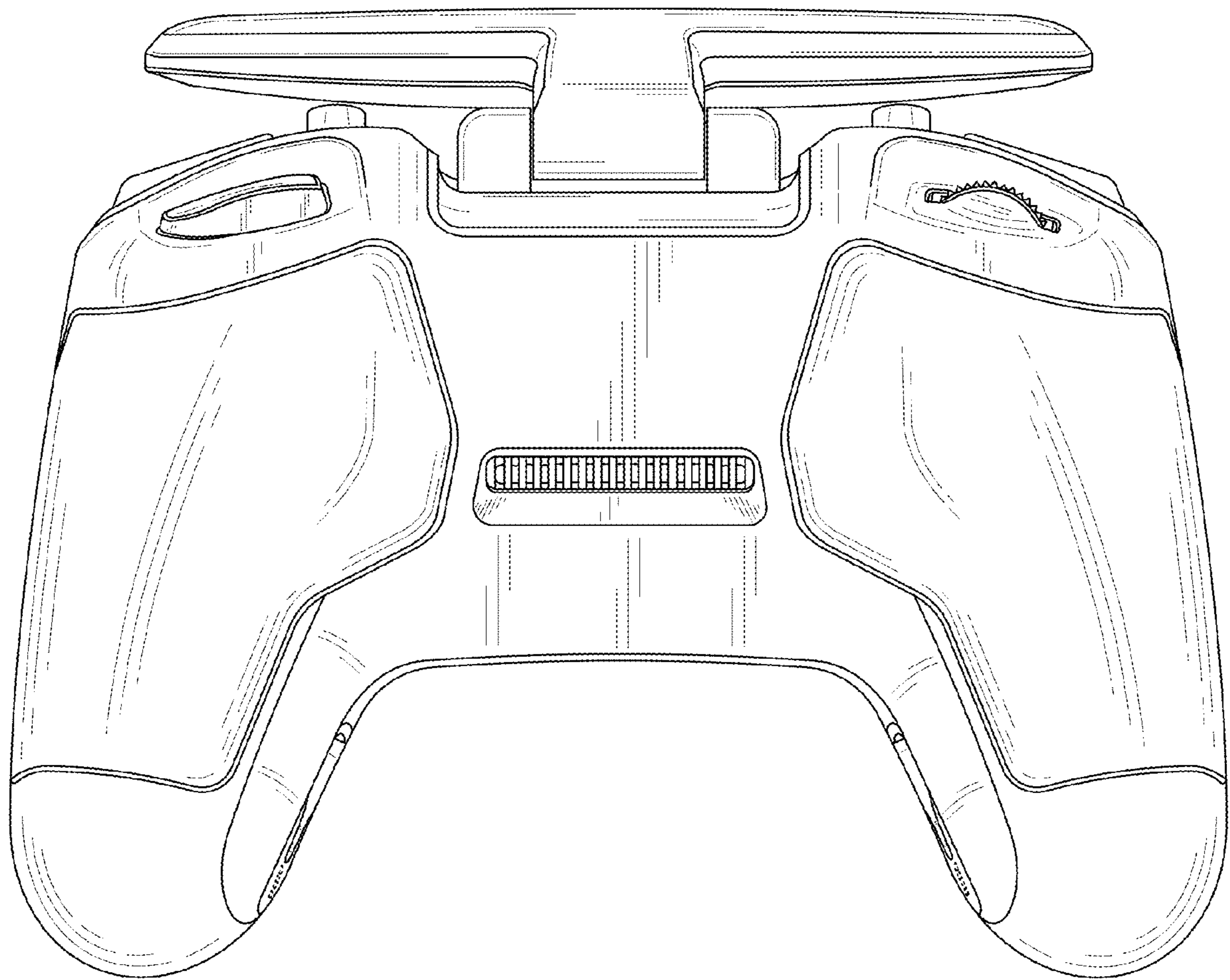


FIG. 12

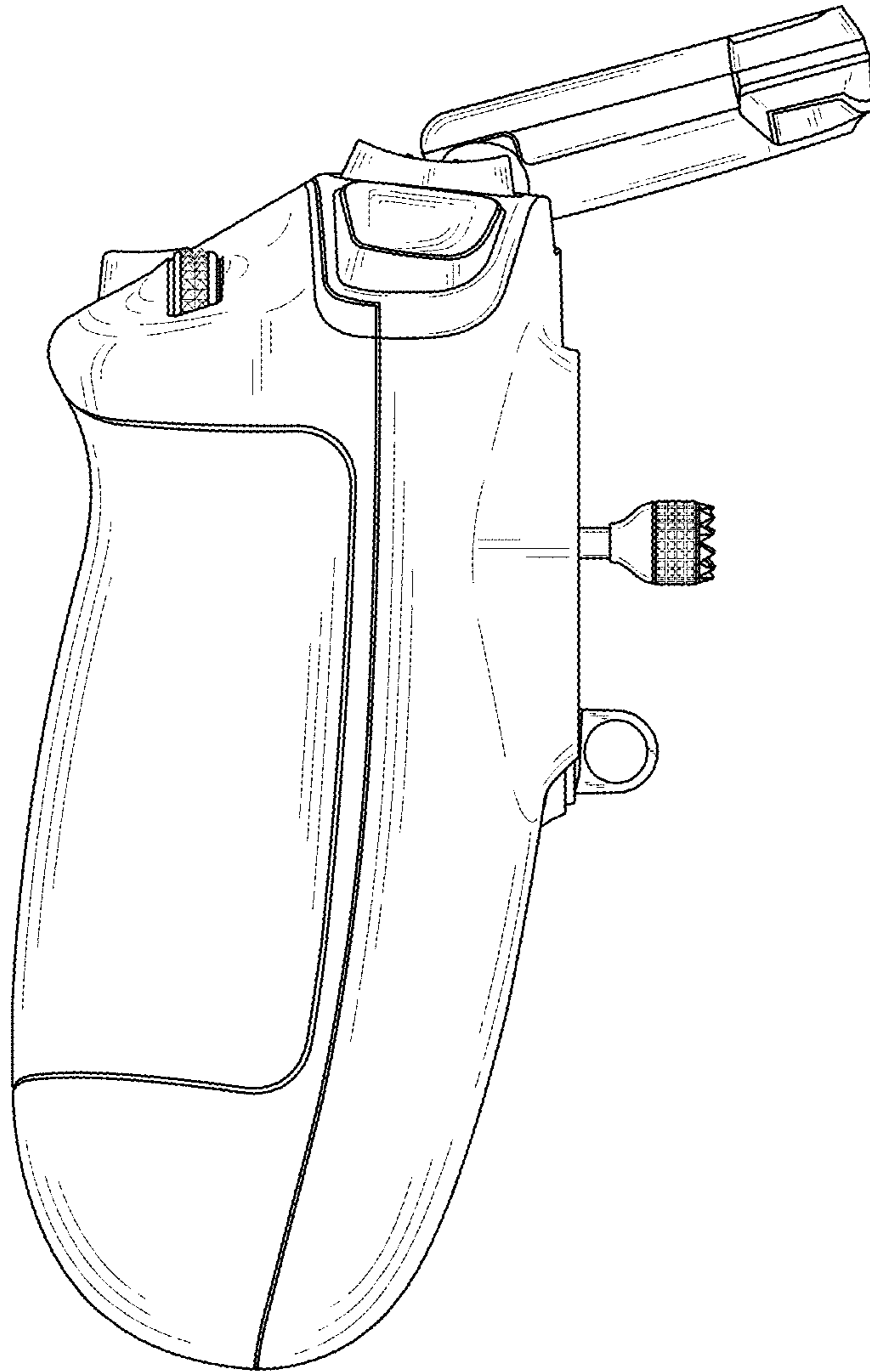


FIG. 13

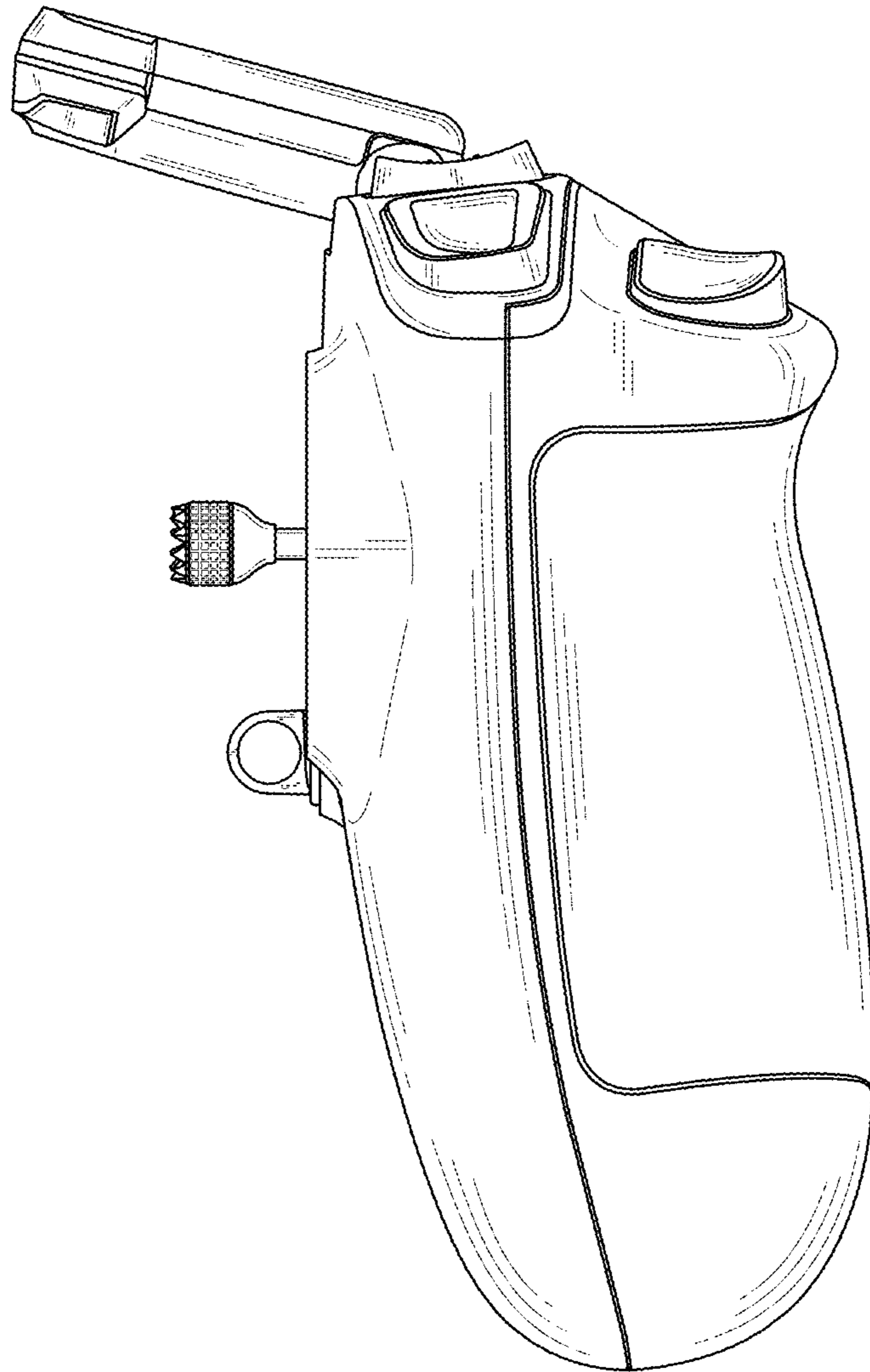


FIG. 14



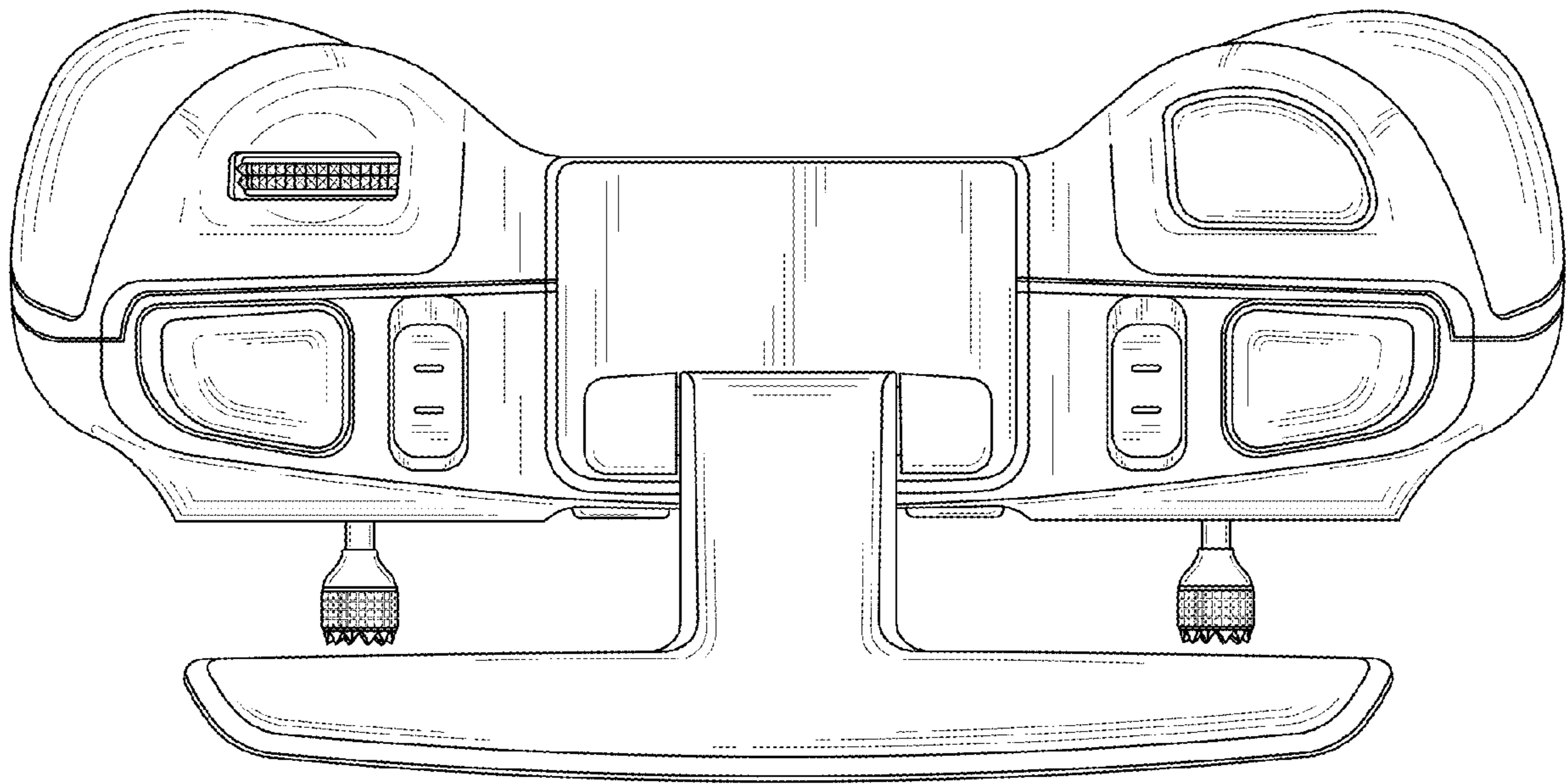


FIG. 15

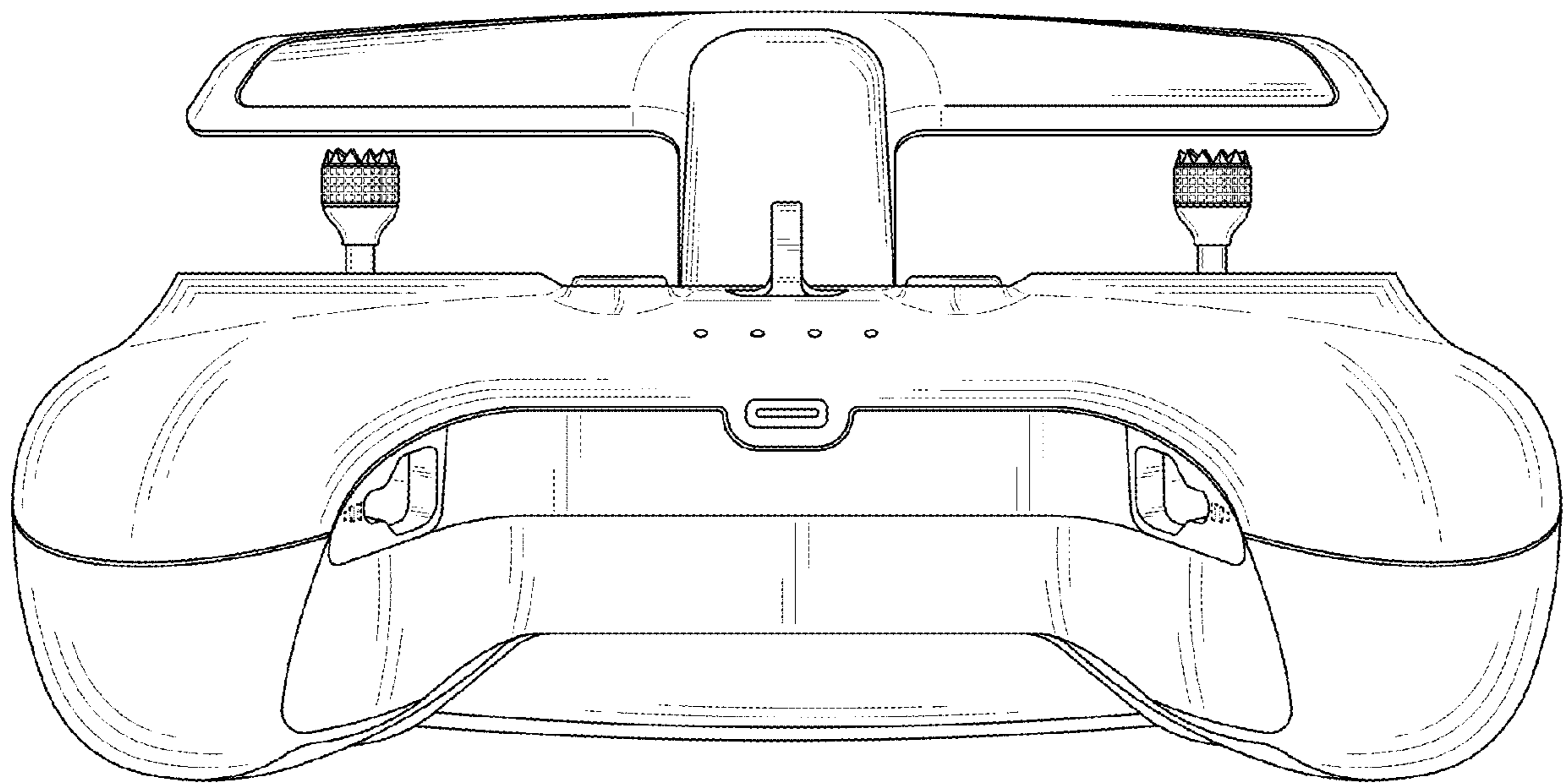


FIG. 16

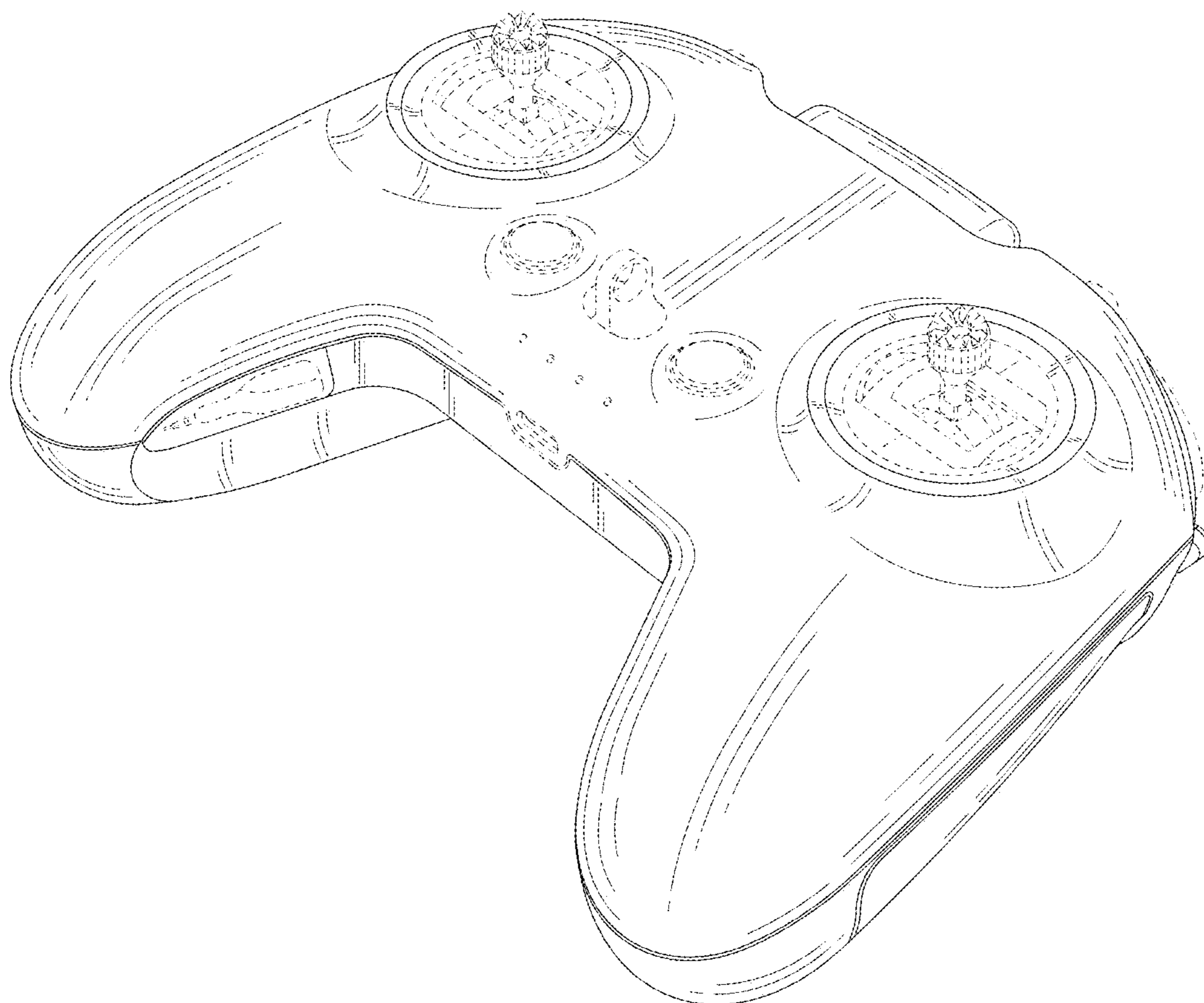


FIG. 17

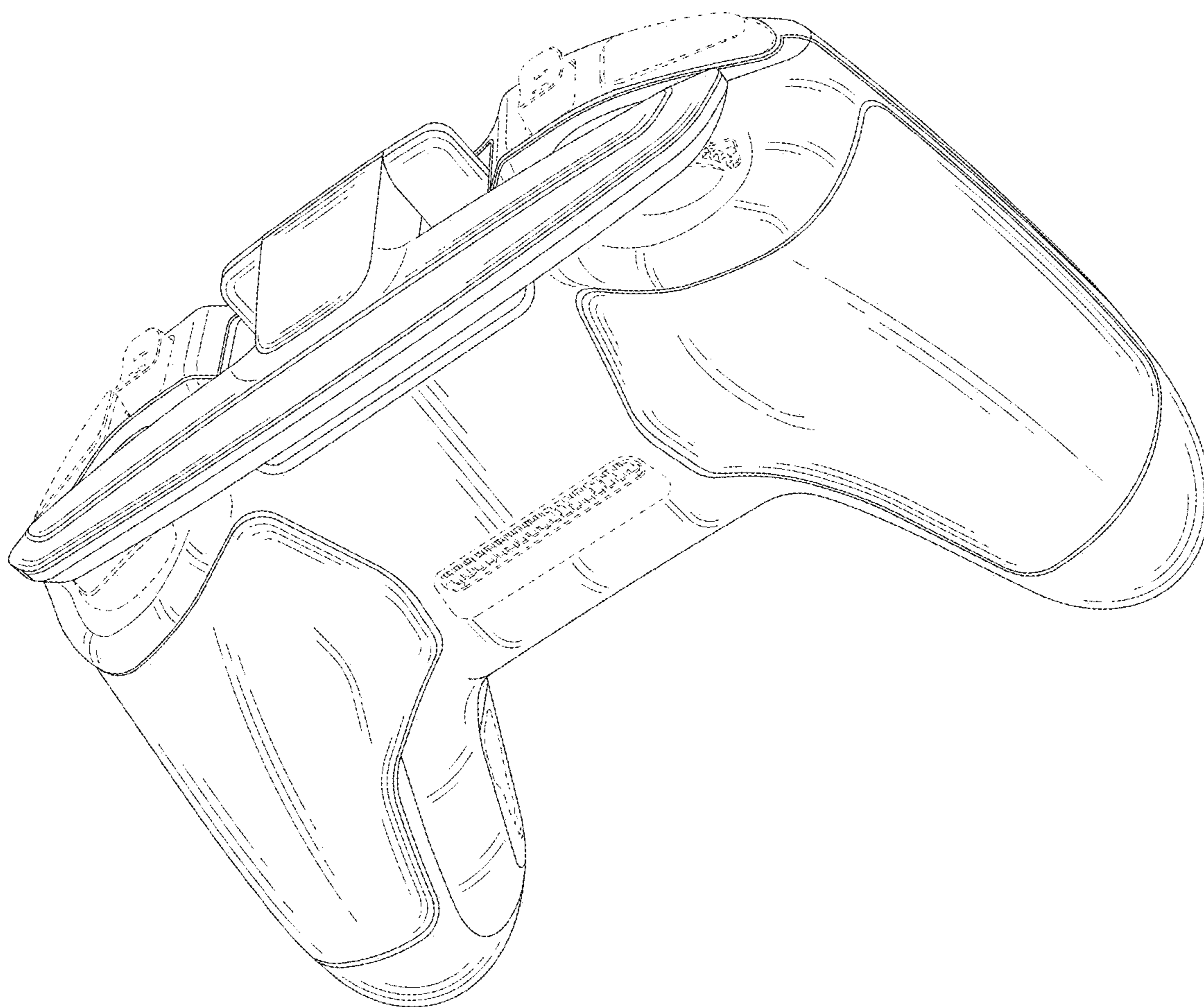


FIG. 18

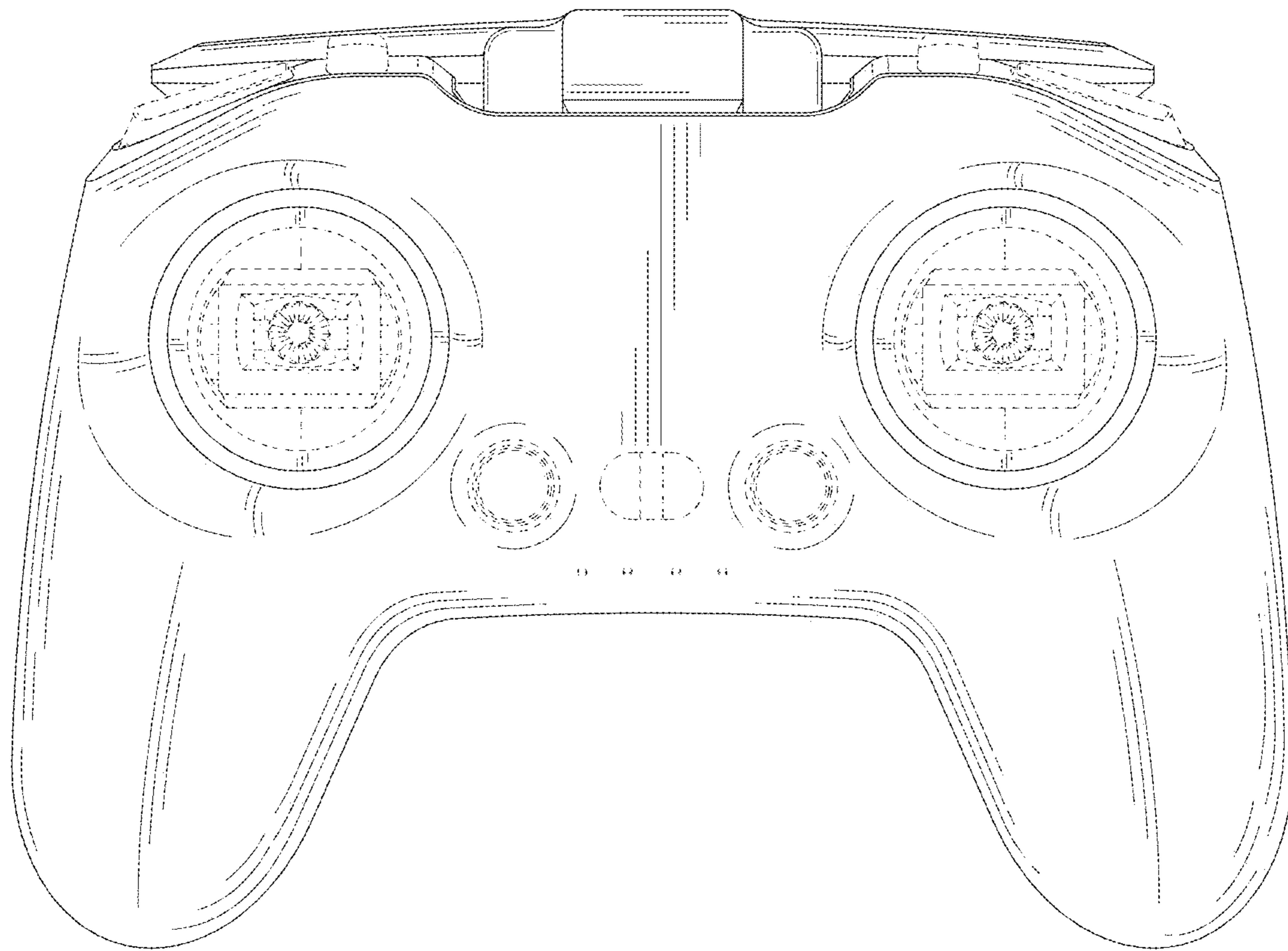


FIG. 19

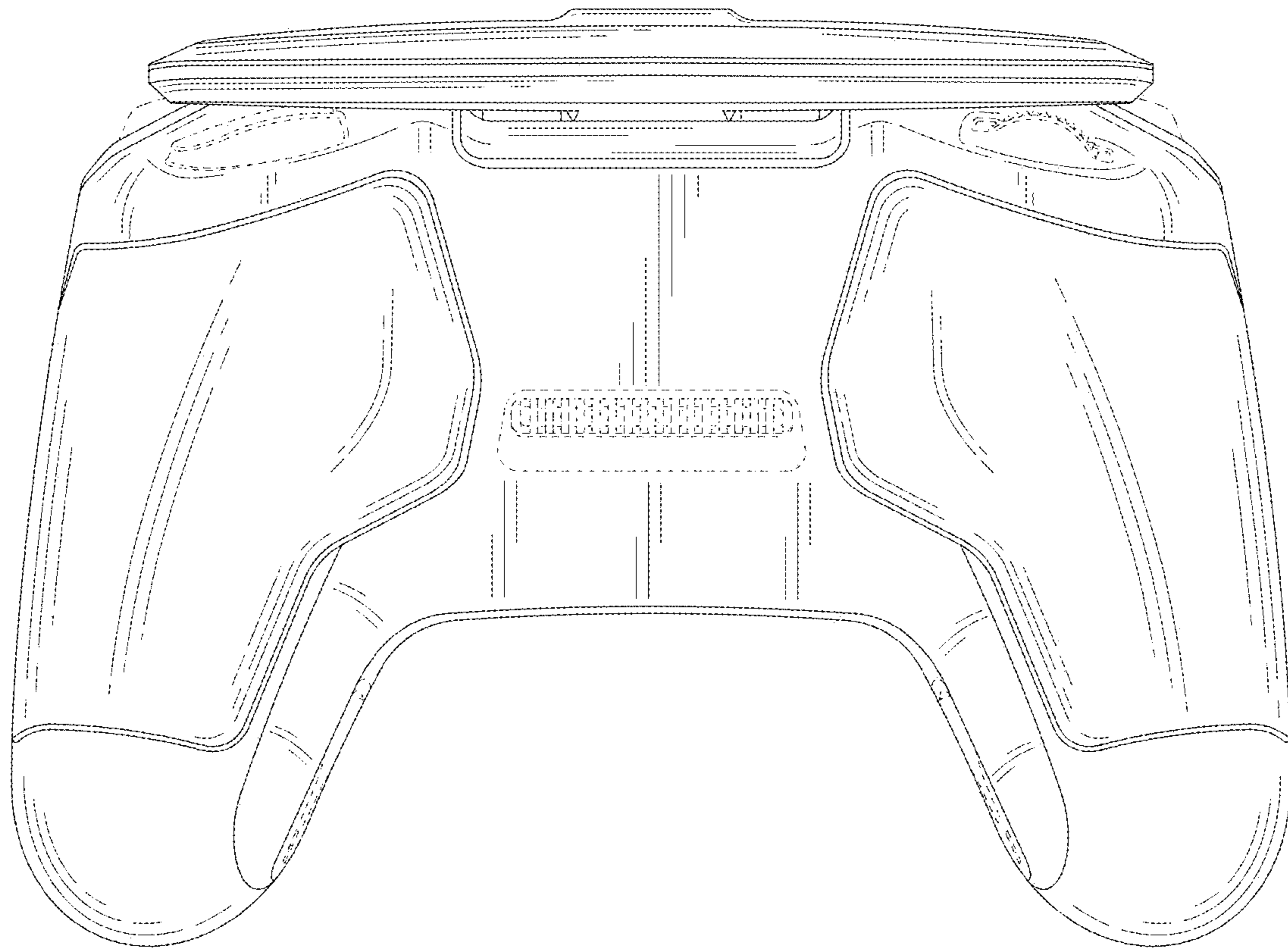


FIG. 20

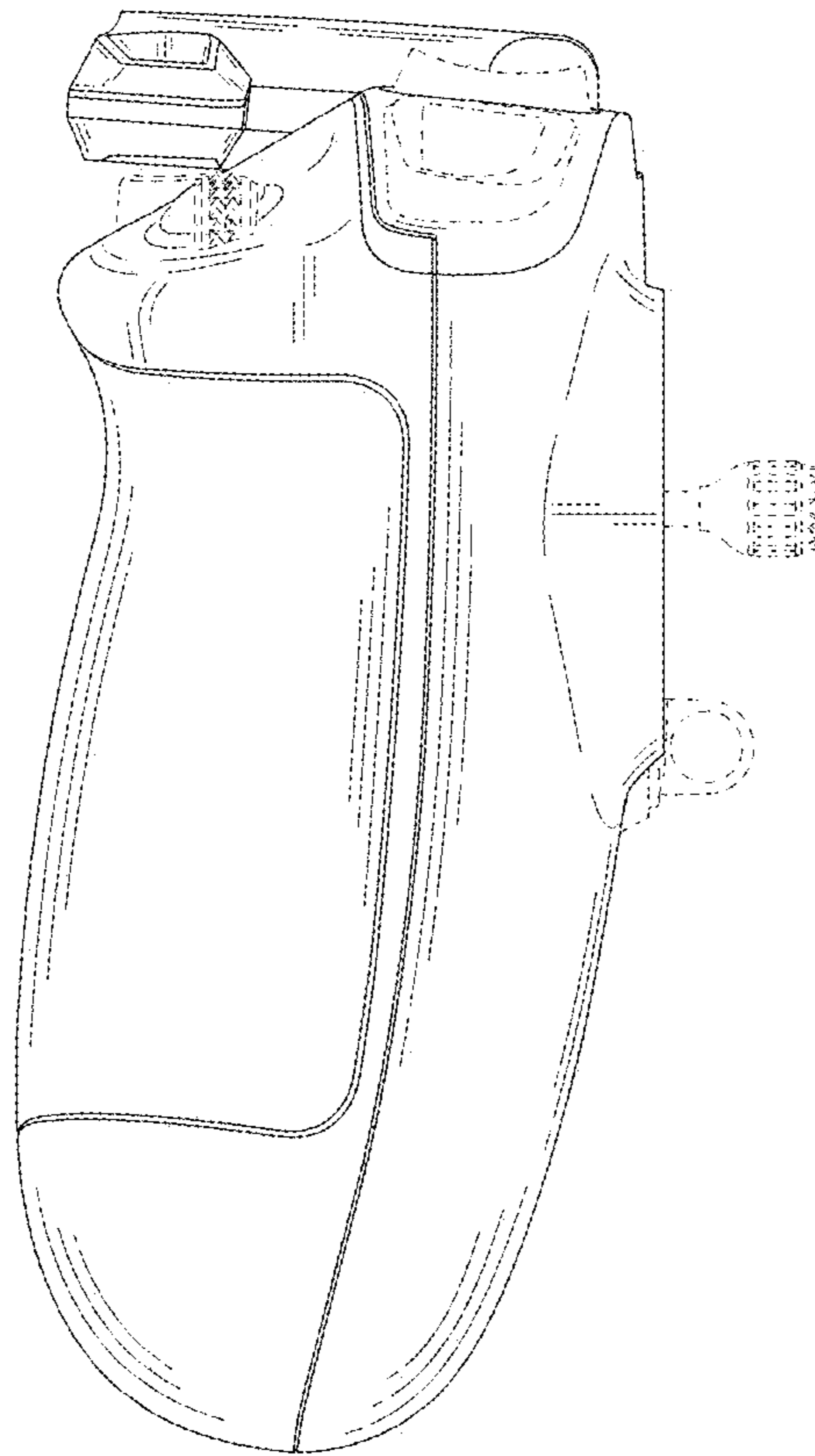


FIG. 21

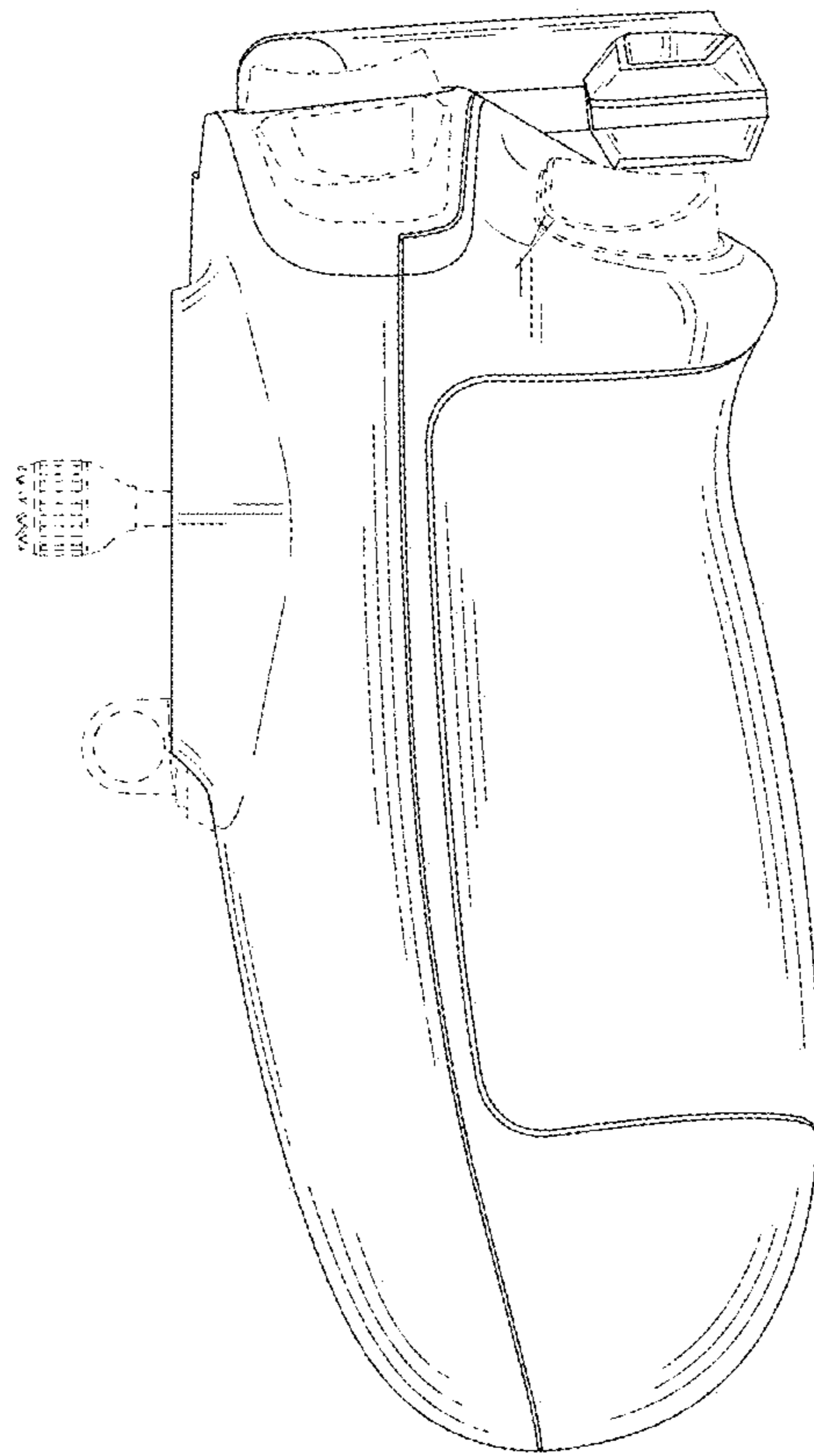


FIG. 22



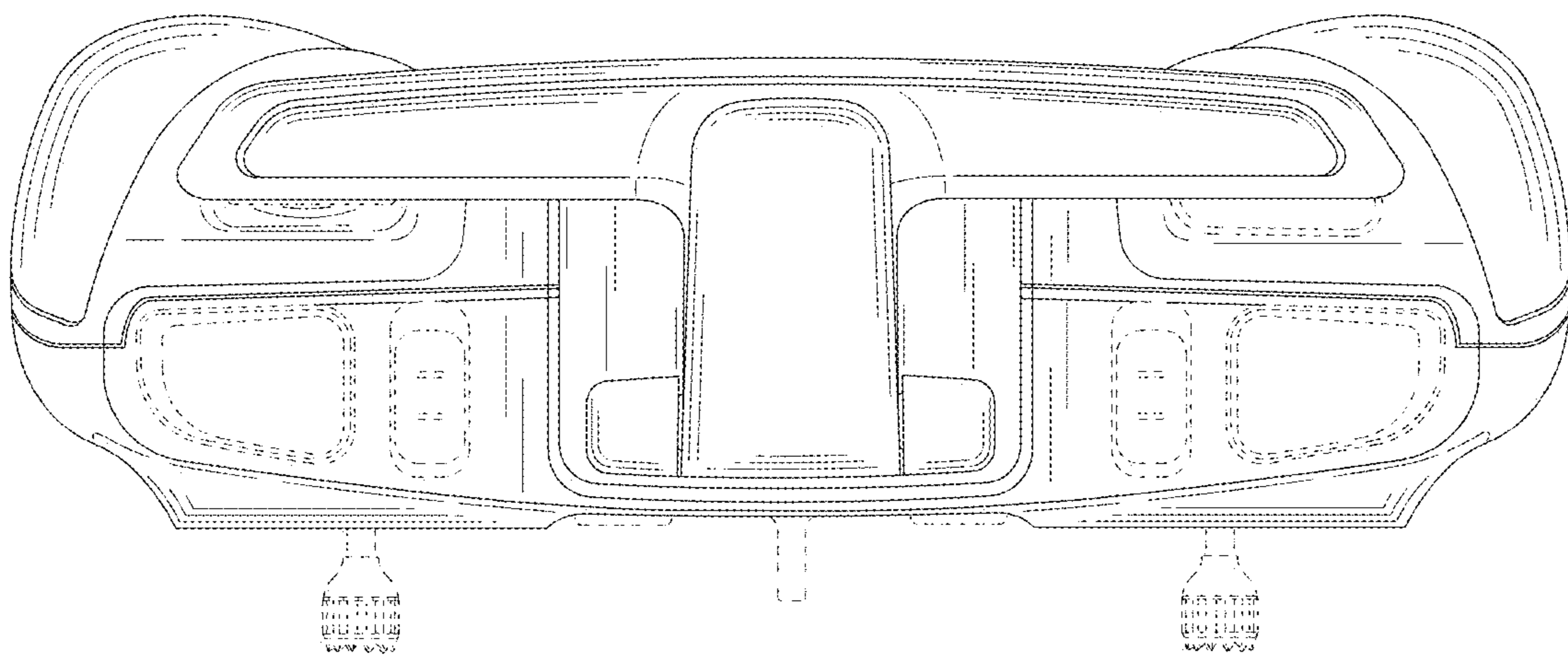


FIG. 23

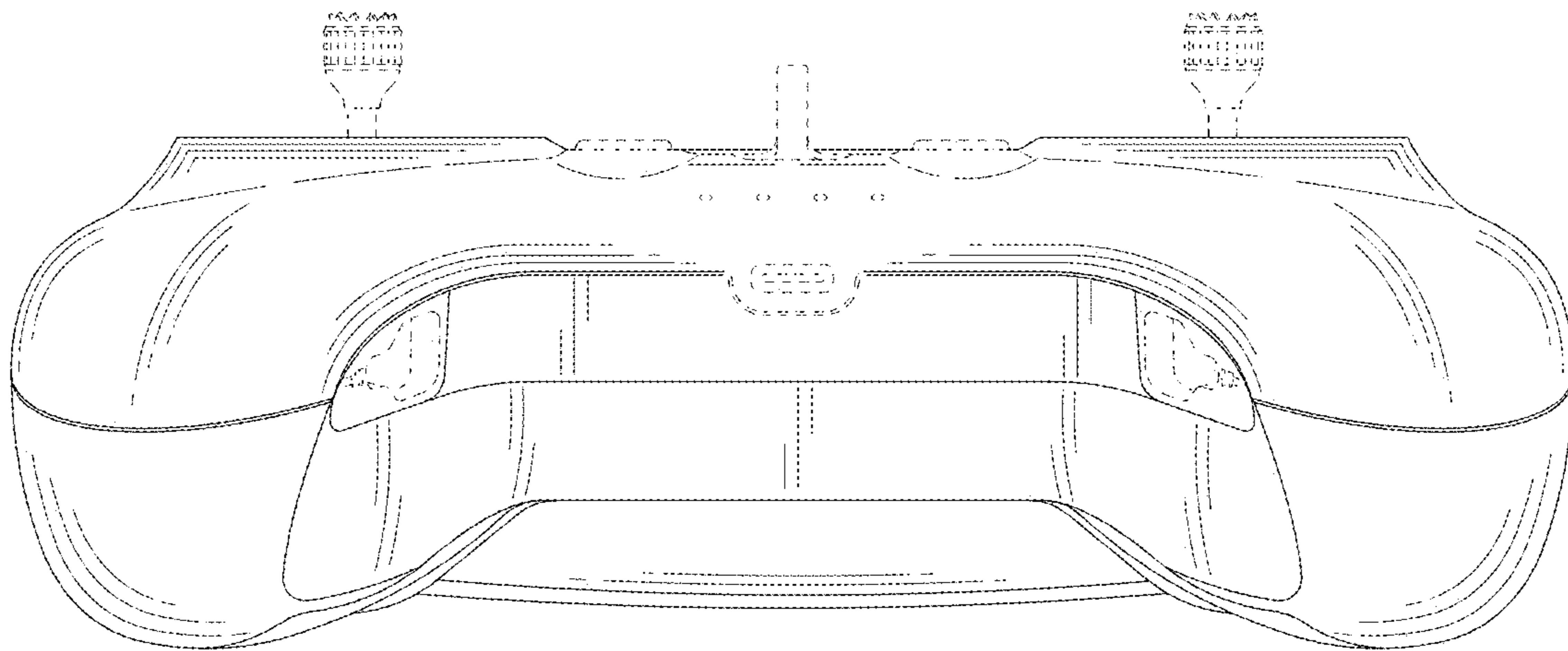


FIG. 24

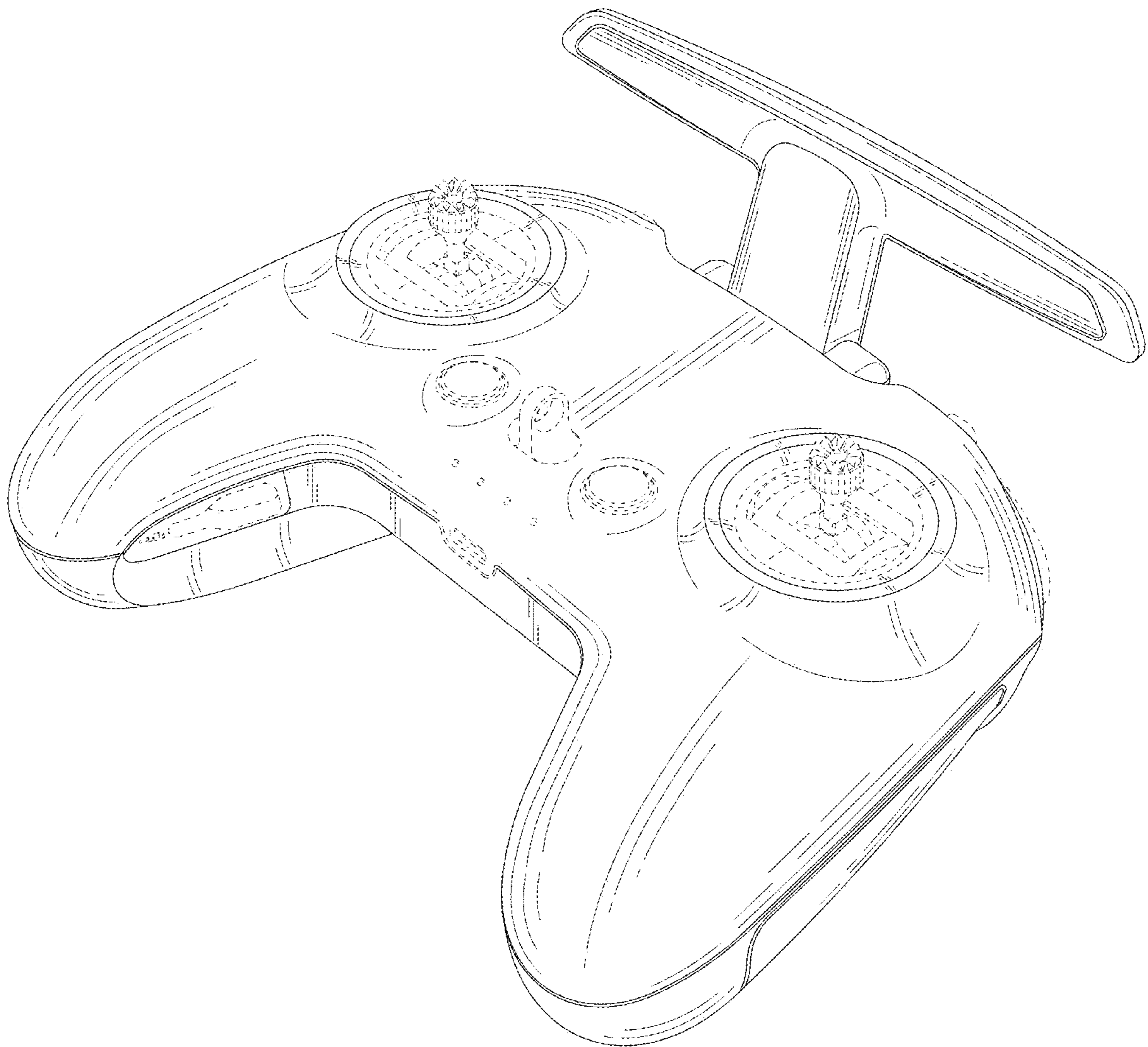


FIG. 25

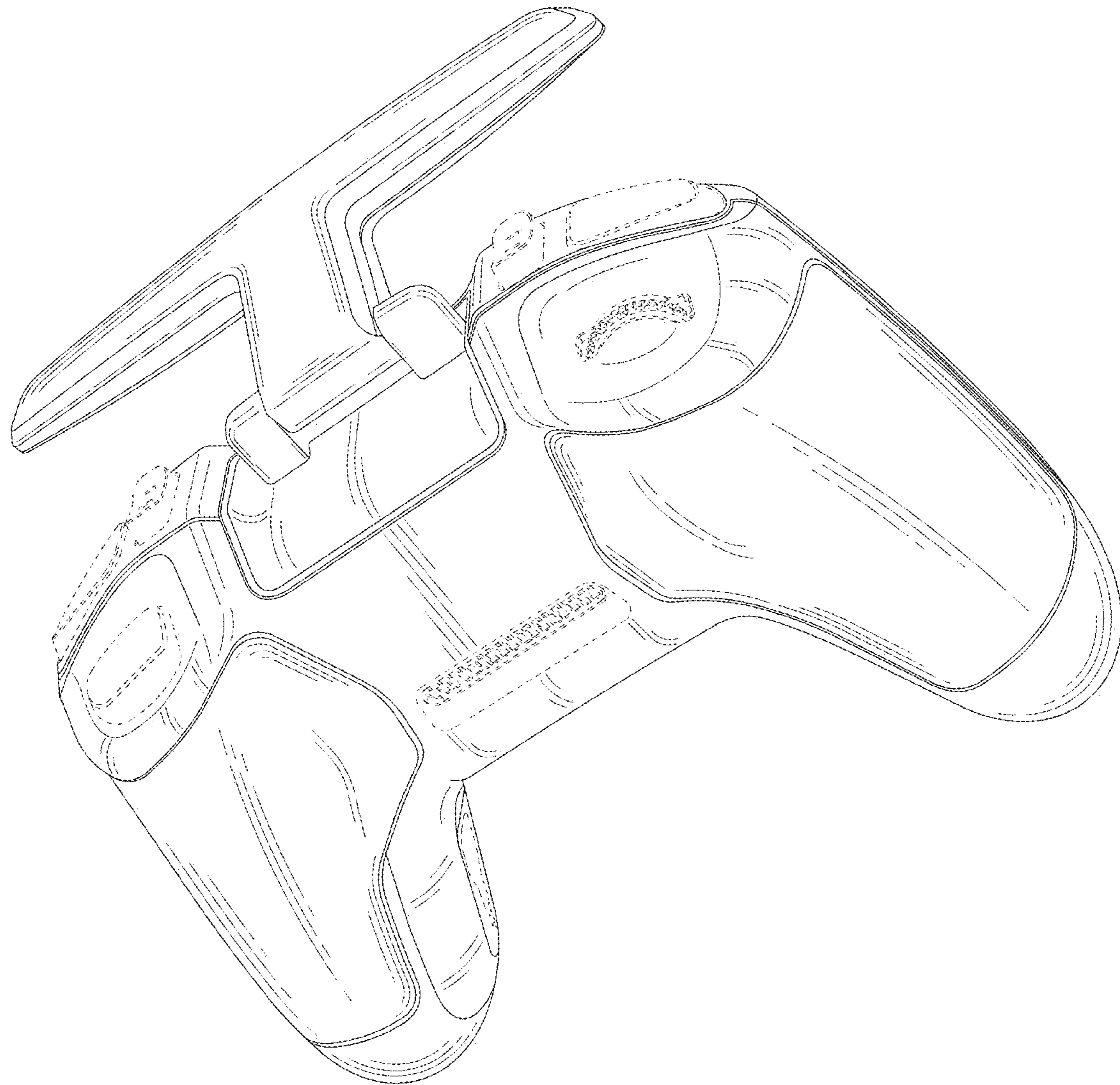


FIG. 26

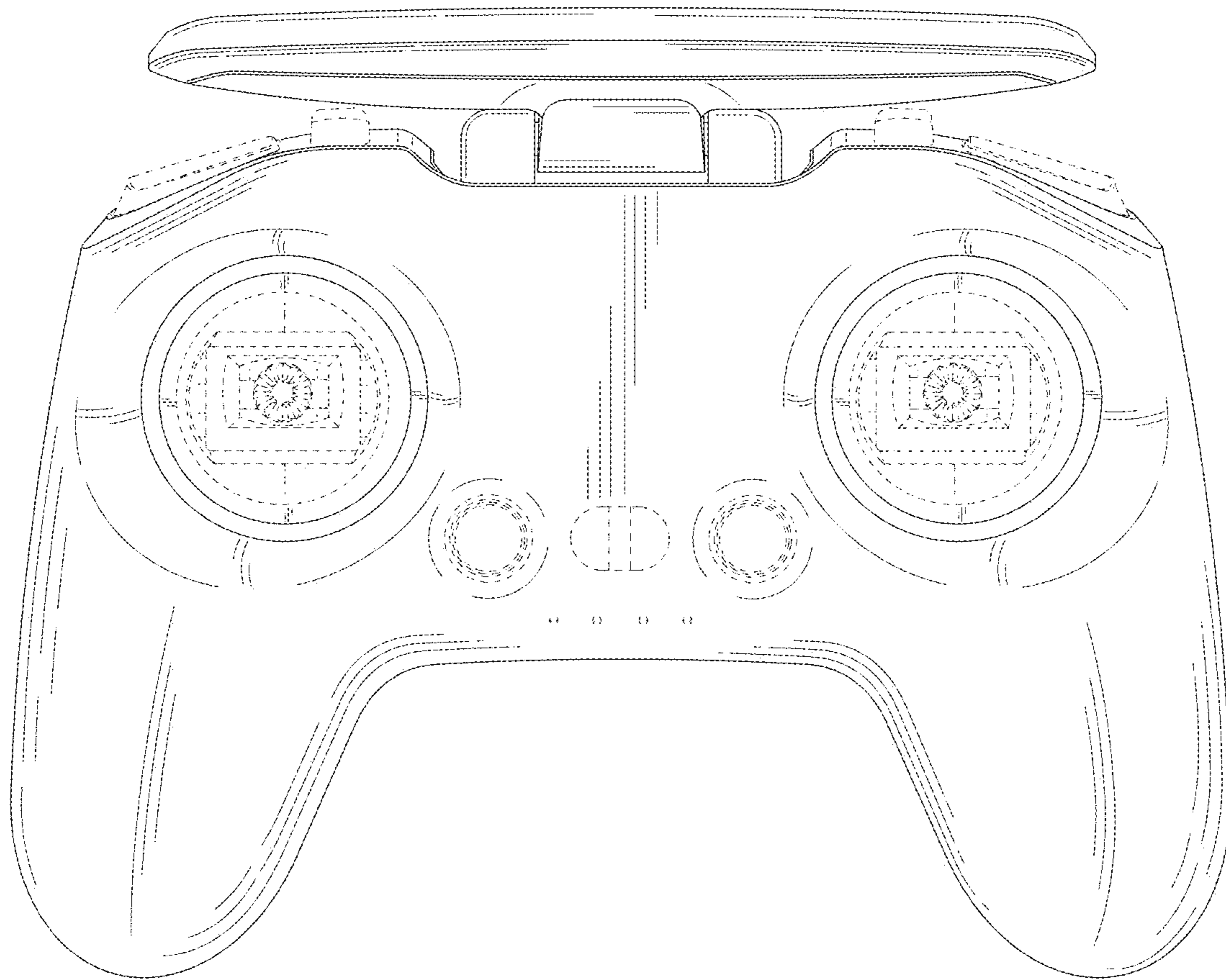


FIG. 27

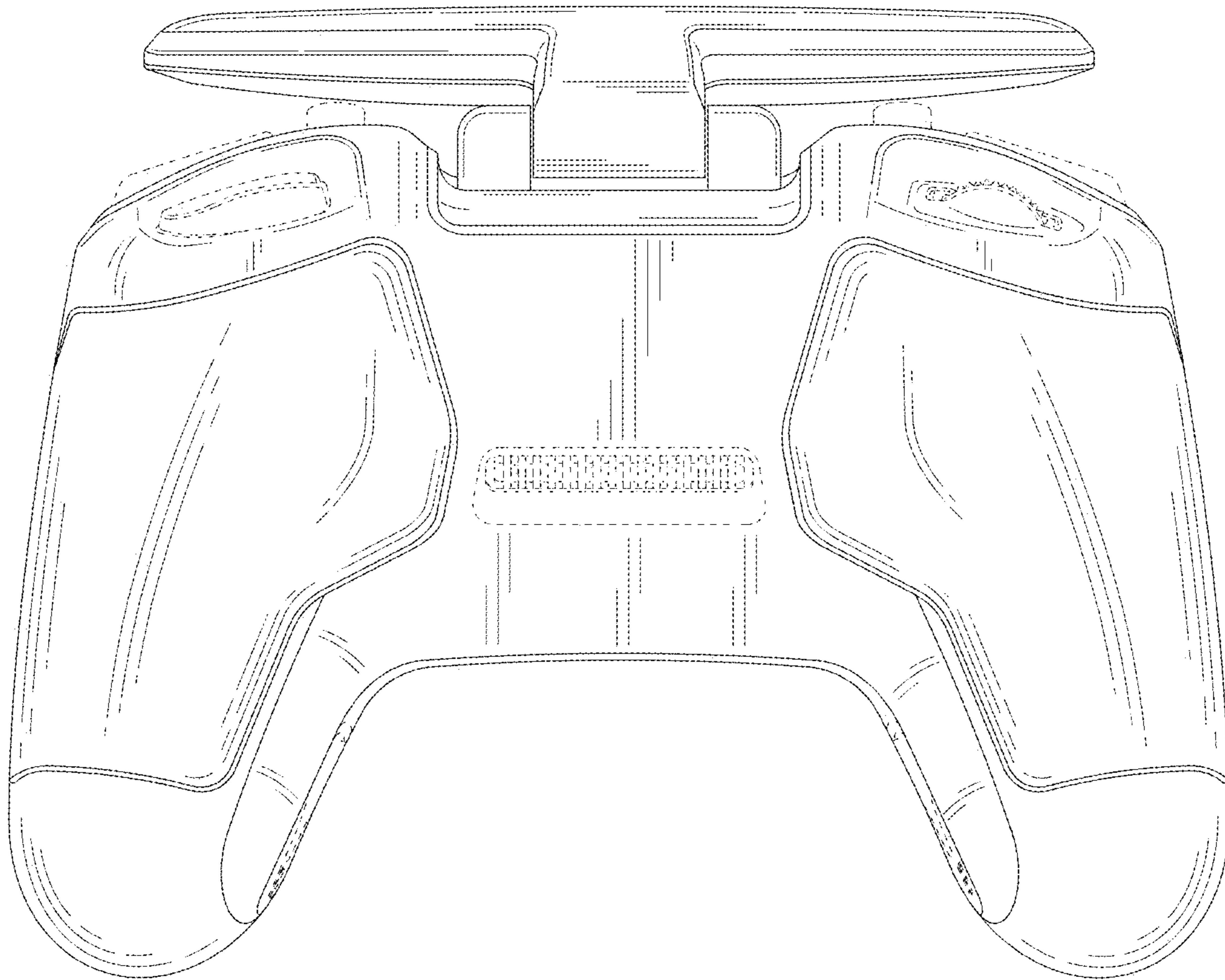


FIG. 28

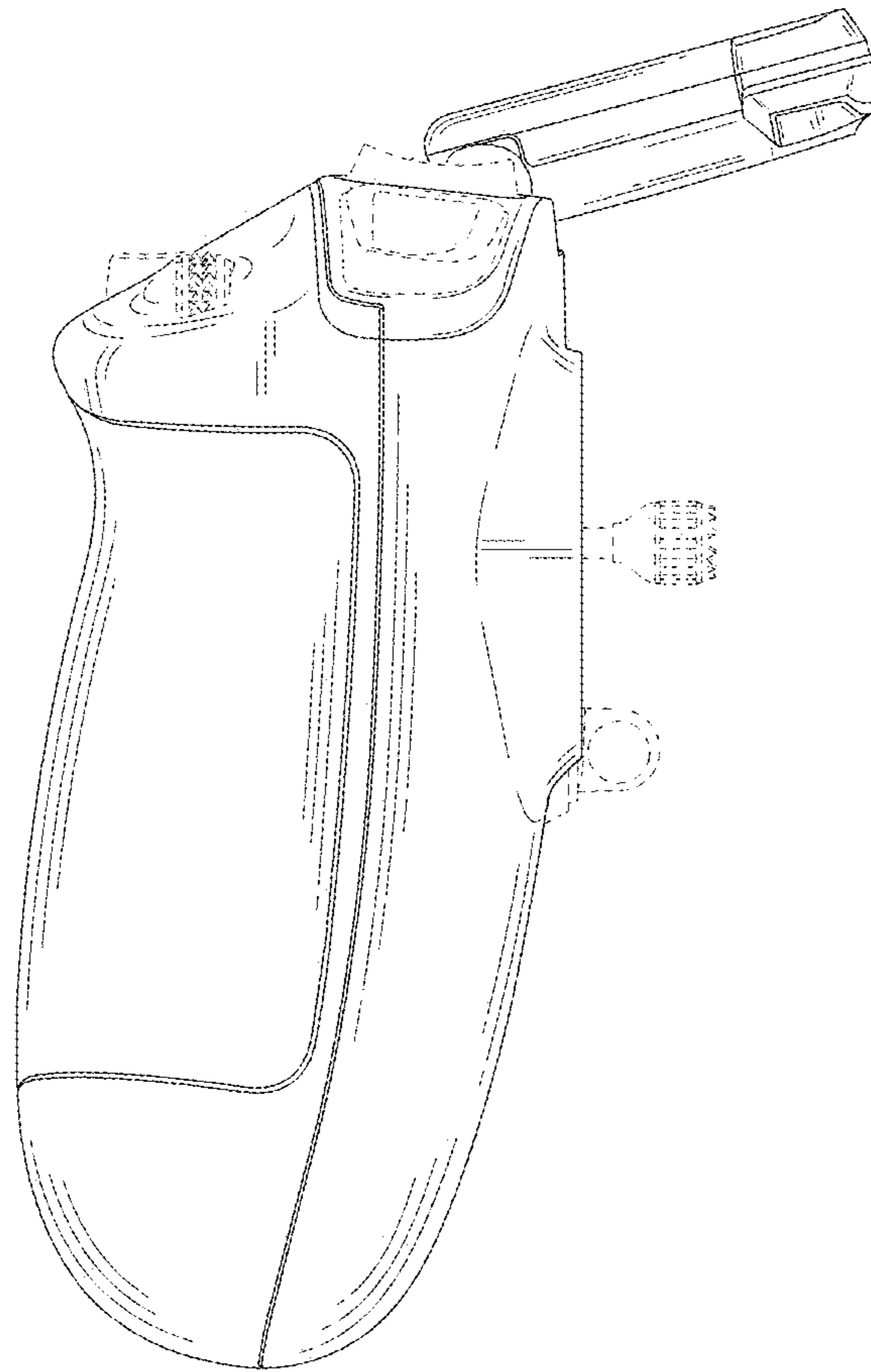


FIG. 29

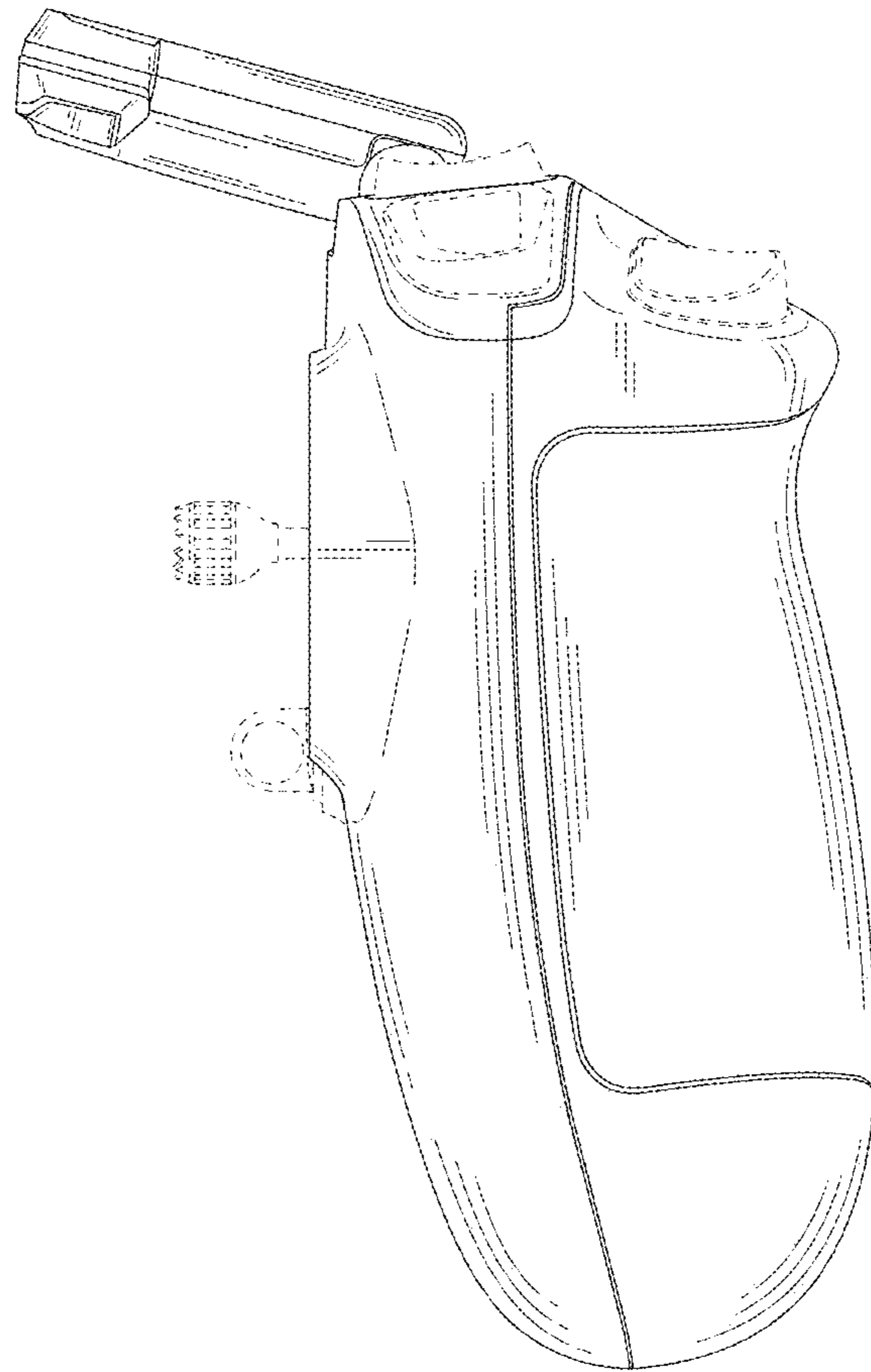


FIG. 30



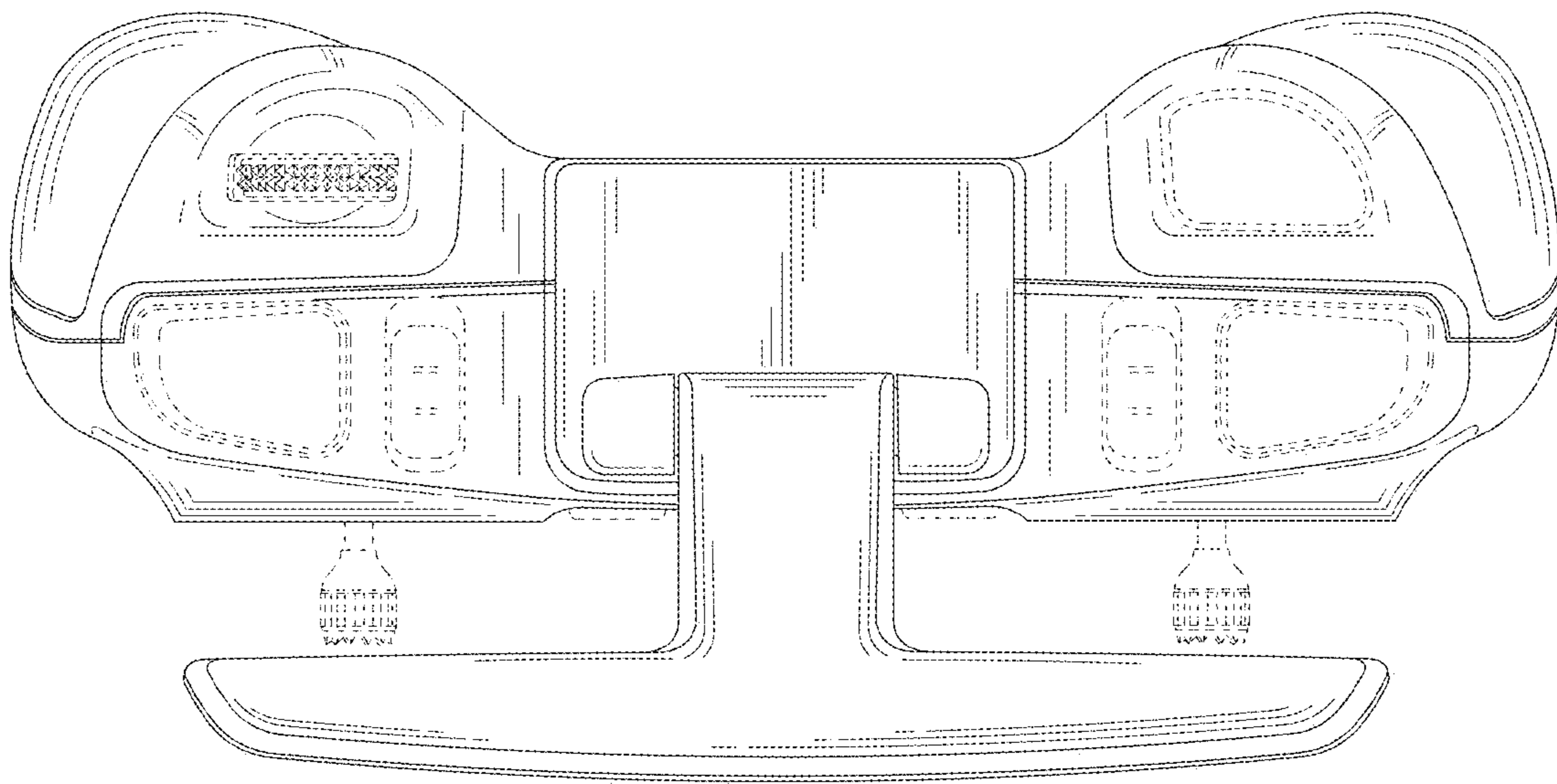


FIG. 31

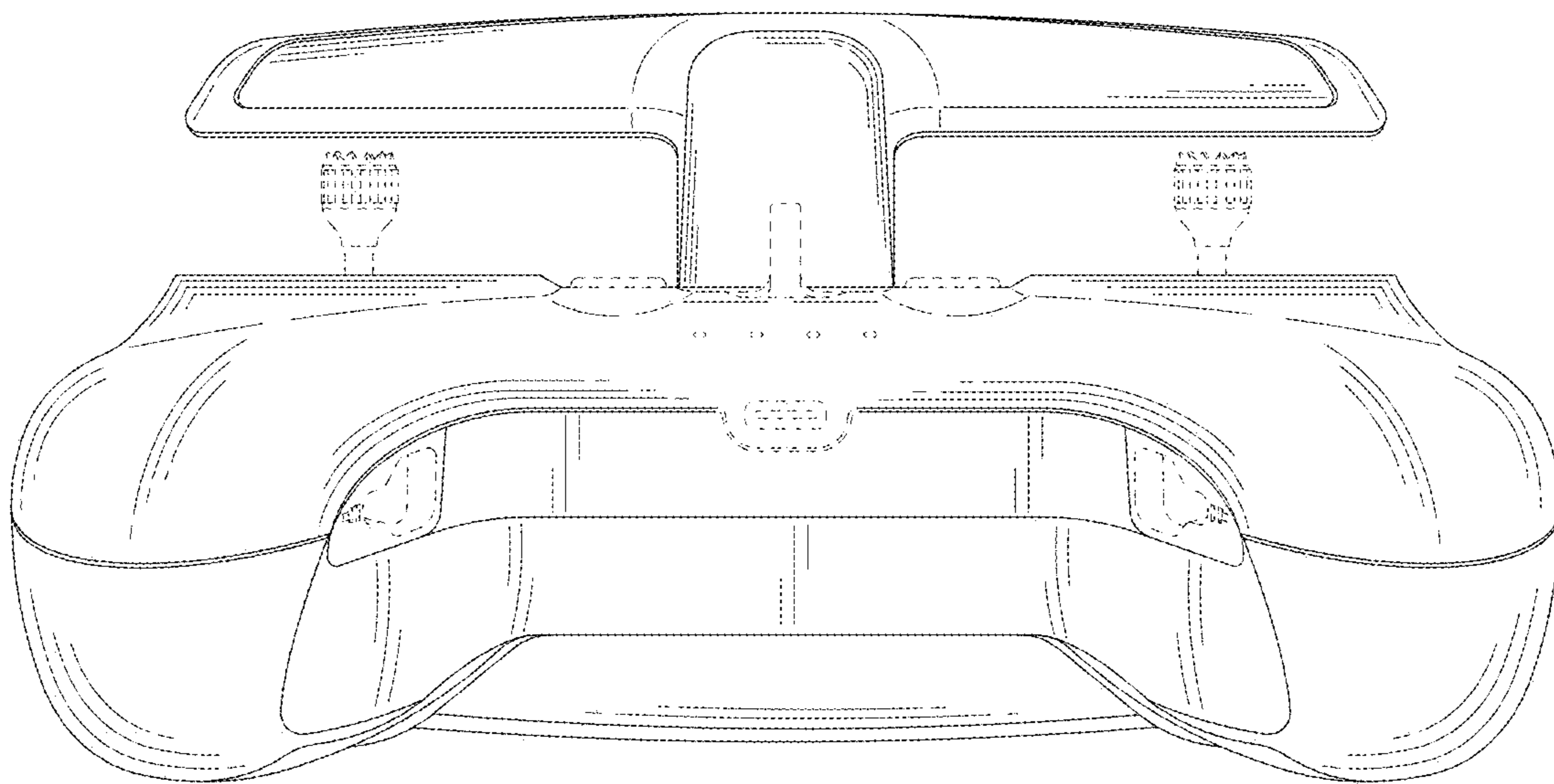


FIG. 32