



US00D968527S

(12) **United States Design Patent** (10) **Patent No.:** **US D968,527 S**
Hagler et al. (45) **Date of Patent:** **** Nov. 1, 2022**

(54) **MODEL VEHICLE CHASSIS BRACE**
(71) Applicant: **TRAXXAS LP**, McKinney, TX (US)
(72) Inventors: **Skylar Hagler**, Anna, TX (US); **Jory Sprowl**, Honey Grove, TX (US)
(73) Assignee: **TRAXXAS, L.P.**, McKinney, TX (US)
(**) Term: **15 Years**
(21) Appl. No.: **29/736,797**
(22) Filed: **Jun. 3, 2020**
(51) **LOC (13) Cl.** **21-01**
(52) **U.S. Cl.**
USPC **D21/562**
(58) **Field of Classification Search**
USPC D21/561, 562, 526, 495; D32/17, 18, 21,
D32/22, 23, 24, 25, 31; D12/159, 196,
D12/400, 160, 165, 172, 223
CPC A63H 17/262; B60G 2204/16; B60G
2204/143; B60G 2204/4302; B66F
9/07513
See application file for complete search history.

D375,037 S * 10/1996 Toenders D8/339
D411,263 S 6/1999 Korsholm
D412,478 S * 8/1999 Chen D12/183
D475,001 S * 5/2003 Roll D12/159
(Continued)

FOREIGN PATENT DOCUMENTS

EM 008305460-0005 12/2020
EP 008305460-0004 * 12/2020

OTHER PUBLICATIONS

New Heavy-Duty Chassis Brace, available on traxxas.com, published Aug. 26, 2020, [site visited Jan. 24, 2022], URL: <https://traxxas.com/news/new-chassis-brace> (Year: 2020).*

(Continued)

Primary Examiner — Dana K Weiland
Assistant Examiner — Emily Anna Saunders
(74) *Attorney, Agent, or Firm* — Daryl R. Wright; Greg Carr

(57) **CLAIM**

We claim the ornamental design for a model vehicle chassis brace, as shown and described.

DESCRIPTION

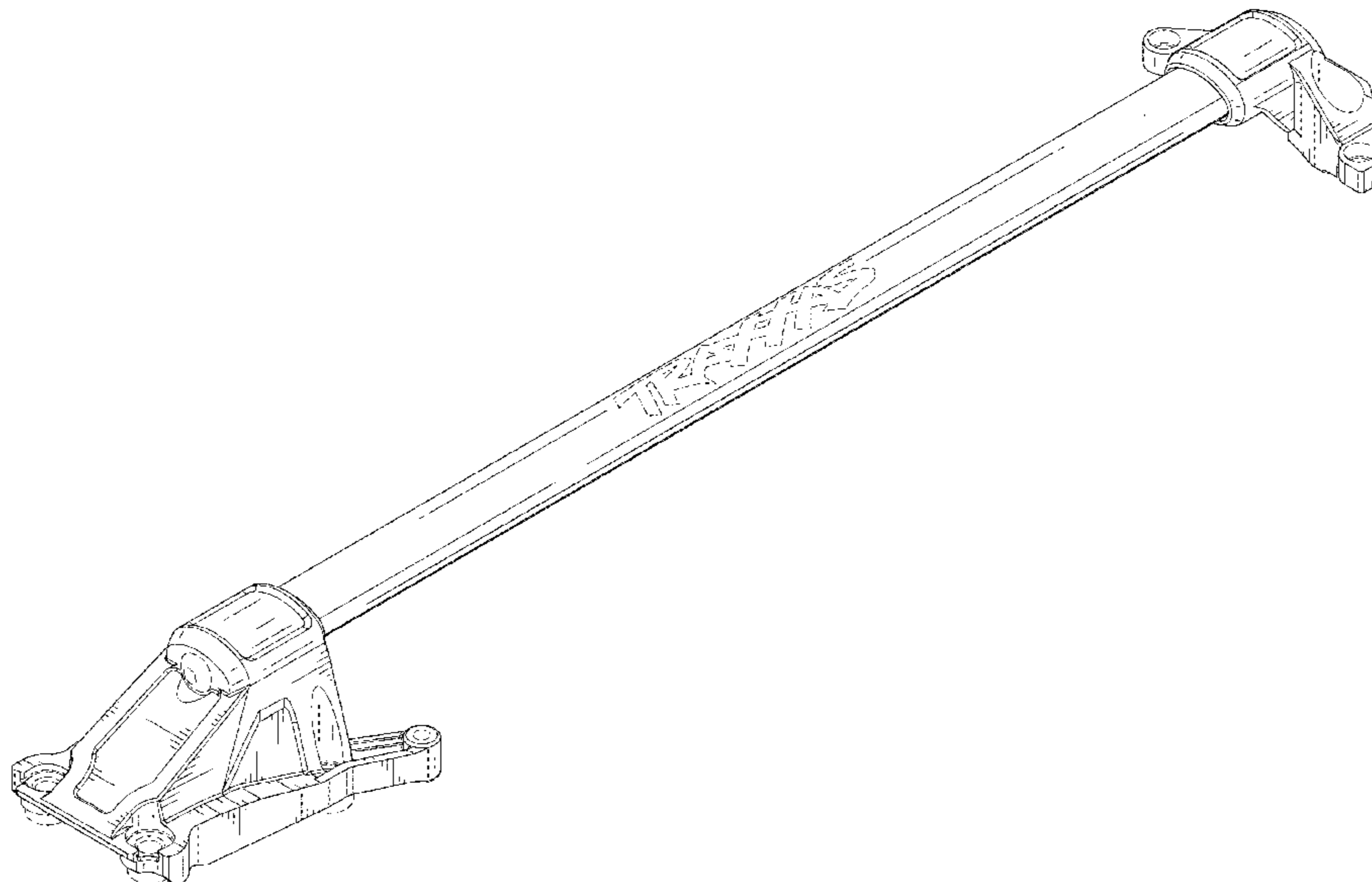
FIG. 1 is an upper, left, front perspective view of a model vehicle chassis brace showing our new design; FIG. 2 is front elevation view thereof; FIG. 3 is a rear elevation view thereof; FIG. 4 is a left side elevation view thereof; FIG. 5 is a right side elevation view thereof; FIG. 6 is an upper plan view thereof; FIG. 7 is a lower plan view thereof; and, FIG. 8 is a lower, right, rear perspective view of the model vehicle chassis brace.

In the drawings, the broken lines illustrate portions of the model vehicle chassis brace that form no part of the claimed design.

1 Claim, 5 Drawing Sheets

(56) **References Cited**
U.S. PATENT DOCUMENTS

D42,406 S * 4/1912 Trego D12/160
D58,959 S * 9/1921 Wendland D12/159
D219,362 S * 12/1970 Snyder D8/339
3,829,117 A 8/1974 Park
D250,465 S * 12/1978 Morrison D12/159
D300,913 S * 5/1989 Kamaya D12/223
D309,930 S 8/1990 Asaeda
D317,336 S 6/1991 Tsuchiya
5,131,701 A * 7/1992 Stepniewski E05B 65/0888
254/39
D332,978 S 2/1993 Tsuchiya
D332,979 S 2/1993 Tsuchiya
D348,911 S 7/1994 Herrick et al.
5,338,247 A 8/1994 Miles



(56)

References Cited

U.S. PATENT DOCUMENTS

D477,268 S * 7/2003 Baynes D12/223
 D493,848 S 8/2004 Dunst
 6,793,227 B1 * 9/2004 Weisgerber B60G 7/02
 280/124.119
 D503,658 S 4/2005 Lu
 D513,223 S 12/2005 Saito et al.
 D521,899 S 5/2006 Walden
 D523,775 S 6/2006 Walden
 D523,776 S 6/2006 Walden
 D534,593 S 1/2007 Yuen
 D538,861 S 3/2007 Takahashi
 D545,246 S * 6/2007 Kroeker D12/159
 D545,721 S 7/2007 Hacker et al.
 D549,787 S 8/2007 Chen
 D550,311 S 9/2007 Chen
 7,281,600 B2 10/2007 Chernoff et al.
 D556,648 S 12/2007 Nelson et al.
 D564,410 S 3/2008 Lepage
 D567,886 S 4/2008 Lampert et al.
 D570,735 S 6/2008 Ogihara
 D577,083 S 9/2008 Nakayama
 D586,695 S 2/2009 Burns
 D586,696 S 2/2009 Burns
 D593,616 S 6/2009 Asai
 D597,151 S 7/2009 Ishikawa
 D639,207 S 6/2011 Danisi
 D642,090 S 7/2011 Karacabey et al.
 D642,091 S 7/2011 Karacabey et al.
 D642,960 S 8/2011 Berrier
 D647,002 S 10/2011 Mullen
 D648,250 S * 11/2011 Nosworthy D12/160
 D651,133 S 12/2011 Liebl
 D651,947 S * 1/2012 Hsu D12/159
 D655,236 S 3/2012 Sanschagrín
 D655,668 S 3/2012 Levorato et al.
 D681,542 S 5/2013 Oliver
 D691,523 S 10/2013 Waugh et al.
 D722,542 S * 2/2015 Ikeda D12/159
 D727,802 S * 4/2015 Sung D12/159
 D758,281 S 6/2016 Galloway
 D761,713 S 7/2016 Hensley
 D766,157 S 9/2016 Reynolds et al.
 D778,784 S 2/2017 Hirooka
 D780,643 S * 3/2017 Hare D12/159
 D781,207 S 3/2017 Johnson
 D783,502 S 4/2017 Hensley
 D783,503 S 4/2017 Hensley
 D783,726 S 4/2017 Williams et al.
 D802,685 S 11/2017 Barajas et al.
 D810,148 S 2/2018 Loew et al.
 D816,009 S 4/2018 Reynolds et al.
 D818,415 S * 5/2018 Haws D12/223
 D820,072 S * 6/2018 Choi D8/382
 D820,736 S 6/2018 Vaarsi
 D822,126 S 7/2018 Allmendinger et al.
 D826,831 S 8/2018 Eck et al.
 D829,831 S 10/2018 Redlin et al.
 D836,501 S 12/2018 Mori
 D844,070 S 3/2019 Christensen et al.
 D851,183 S 6/2019 Wood et al.
 D863,171 S * 10/2019 Harriton D12/196
 D867,475 S * 11/2019 Ewing A63H 17/262
 D21/561
 D875,848 S * 2/2020 Wood D21/561
 11,058,275 B2 * 7/2021 Hopkins A47L 11/4044
 2013/0117960 A1 * 5/2013 Lee B08B 3/026
 15/322
 2018/0070789 A1 * 3/2018 LaBarbera A47L 11/4088

OTHER PUBLICATIONS

Traxxas Heavy-Duty Chassis Brace, available on rccaraction.com, updated Aug. 27, 2020, [site visited Jan. 24, 2022], URL: <https://www.rccaraction.com/traxxas-heavy-duty-chassis-brace-for-the-slash-4x4-rustler-4x4> (Year: 2020).*

HD Chassis Brace, available on web.archive.org, captured Sep. 27, 2020, [site visited Jan. 24, 2022], URL: <https://web.archive.org/web/20200927005210/https://traxxas.com/products/parts/6730X?t=overview> (Year: 2020).*

Rc Update—Traxxas Heavy-Duty Chassis Brace, available on Youtube.com, date posted Sep. 15, 2020, [site visited Jan. 24, 2022], URL: <https://www.youtube.com/watch?v=jDGkrXluKyY> (Year: 2020).*

Traxxas Rustler/Slash 4x4 Lcg Chassis, available on hobbytown.com, product added to catalog Feb. 17, 2021, [site visited Jan. 24, 2022], URL: <https://www.hobbytown.com/traxxas-rustler-slash-4x4-lcg-chassis-brace-kit-green-tra6730g/p1254464> (Year: 2021).*

Traxxas 6730G—Chassis Brace Kit, available on amazon.com, oldest customer review Apr. 12, 2021, [site visited Jan. 24, 2022], URL: <https://www.amazon.com/Traxxas-6730G-Chassis-Brace-Aluminum/dp/B08P6V5M9B/> (Year: 2021).*

Aluminum Center Brace Bar & Mount, available on amazon.com, [site visited Jan. 24, 2022], URL: <https://www.amazon.com/Aluminum-Center-Brace-Traxxas-90076-4/dp/B08P4TJ73J> (Year: 2022).*

Traxxas® Slash® 4x4 (Lcg) Chassis Brace, available on ebay.com, last updated Mar. 3, 2021, [site visited Jan. 24, 2022], URL: <https://www.ebay.com/itm/392047539576> (Year: 2021).*

Chassis Brace Kit Blue, available on amazon.com, oldest customer review Dec. 5, 2020, [site visited Jan. 24, 2022], URL: <https://www.amazon.com/Traxxas-Chassis-Brace-KIT-Blue/dp/B08LCM122P/> (Year: 2020).*

Tbr Aluminum T2T Tower to Tower, available on tboneracing.net, oldest customer review Oct. 2, 2019, [site visited Jan. 24, 2022], URL: <https://tboneracing.net/products/10109-tbr-aluminum-t2t-tower-to-tower-brace-arrma-kraton-talion-6s-blx> (Year: 2019).*

Axial SCX10 II 2000 Jeep Cherokee 1/10th Scale Electric 4Wd—Rtr; <http://www.axialracing.com/products/ax90047>; Aug. 2016.

Axial SCX10 Deadbolt 1/10th Scale Electric 4Wd—Rtr; <http://www.axialracing.com/products/ax90044>; Aug. 2016.

Tibus Off-Road Engineering; Land Rover Defender; <http://www.tibus-offroad.com/en/products/bolt-on-portals/land-rover/>; Aug. 2016.

Hpi Racing; Hpi Venture Fj Cruiser; <http://www.hpiracing.com/en/article/view/2016012702>; Aug. 2016.

Traxxas; Slash 4x4 Overview; Oct. 2009.

Tamiya 58647 1:10 Rc M-07 Con. WB225/239 Remote Control Car Vehicle Model, Sep. 15, 2017, Amazon.co.uk, Sep. 22, 2021, URL: <https://www.amazon.co.uk/Tamiya-M-07-Concept-Chassis-58647/dp/B06ZY297CC> (Year: 2017).

Tamiya 57986" 1:10 Rc Tt-02 Chassis First Try On-Road Vehicle, Aug. 19, 2016, Amazon.co.uk, Sep. 22, 2021, URL: <https://www.amazon.co.uk/Tamiya-57986-10-RC-Chassis-First/dp/B01JLF7GB0> (Year: 2016).

Newrice Remote Control Car Building Blocks Kit, 1:12 Scale MOC Off-Road Vehicle, May 25, 2021, Amazon.co.uk, Sep. 22, 2021, URL: <https://www.amazon.co.uk/NEWRICE-Remote-Control-Building-Blocks/dp/B0912YKHM4> (Year: 2021).

Cusco Front Power Brace, available on tf-works.com, [site visited Jan. 24, 2022], URL: <https://www.tf-works.com/cusco-front-power-brace-for-2013-scion-frs-subaru-brz/> (Year: 2022).

Cusco Body Reinforcement Parts for Toyota Gr Yaris, available on easycars.jp, [site visited Jan. 24, 2022], URL: <https://easycars.jp/product/cusco-bodye-for-toyota-gr-yaris/> (Year: 2022).

* cited by examiner

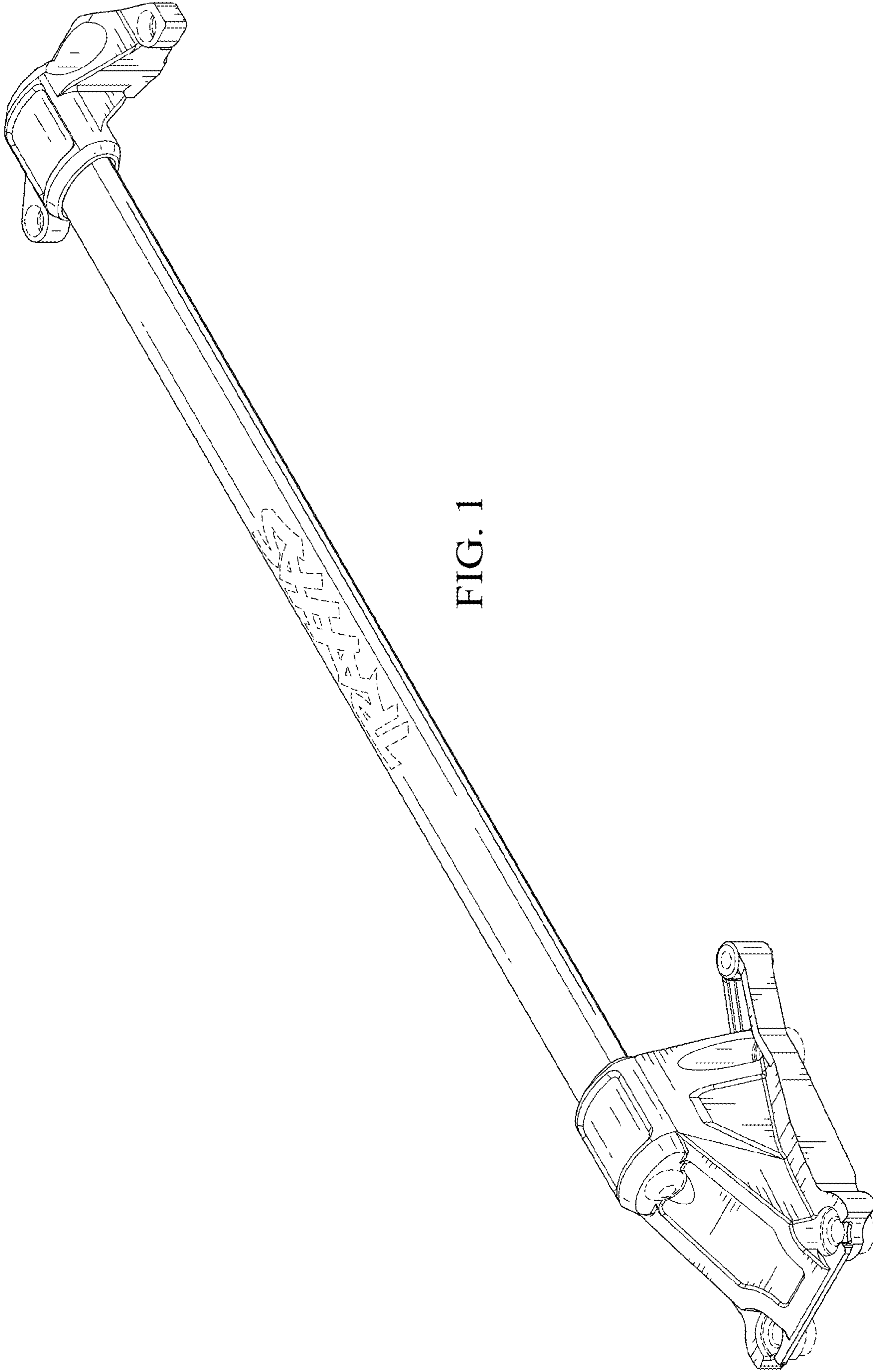


FIG. 1

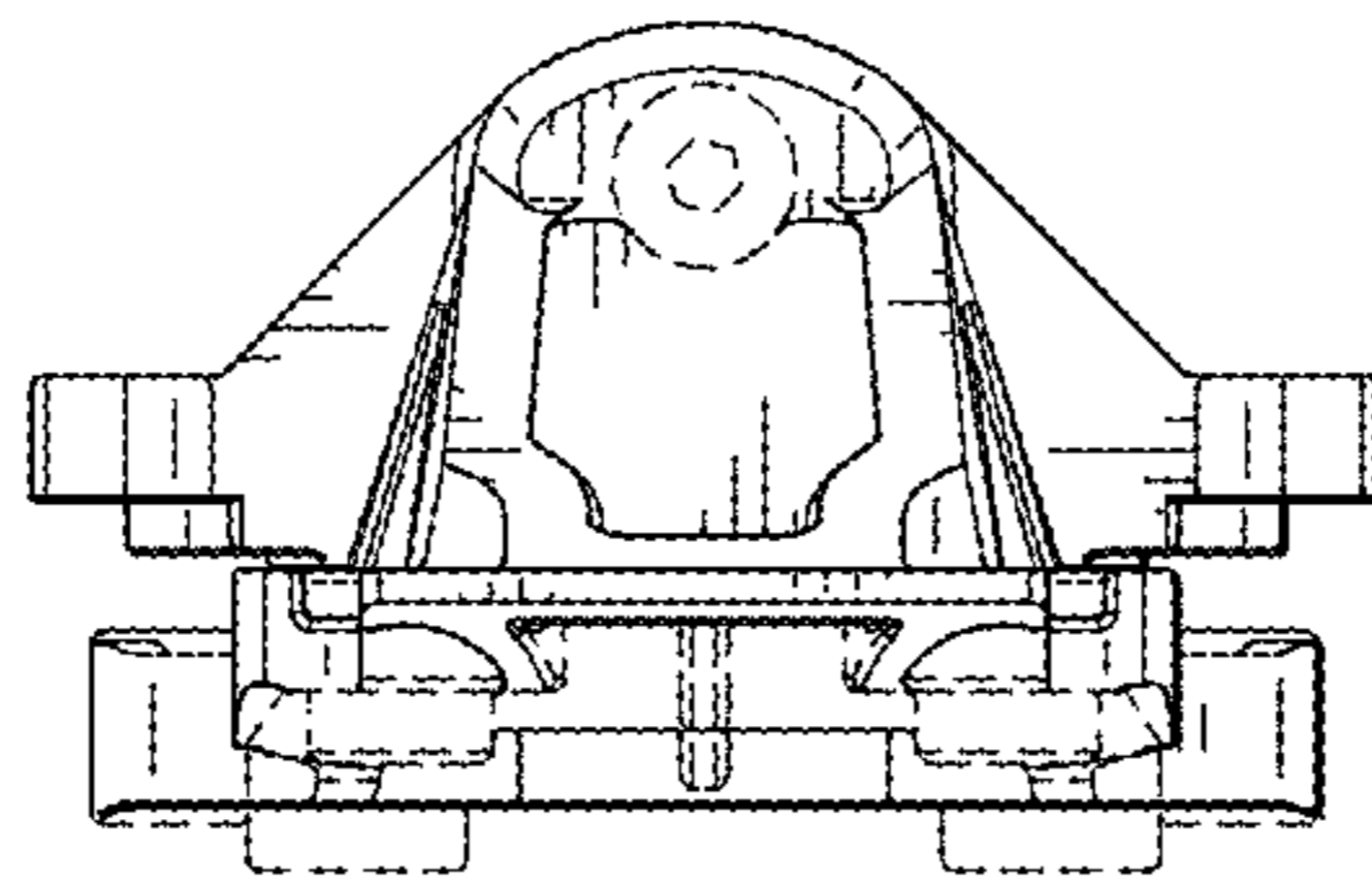


FIG. 2

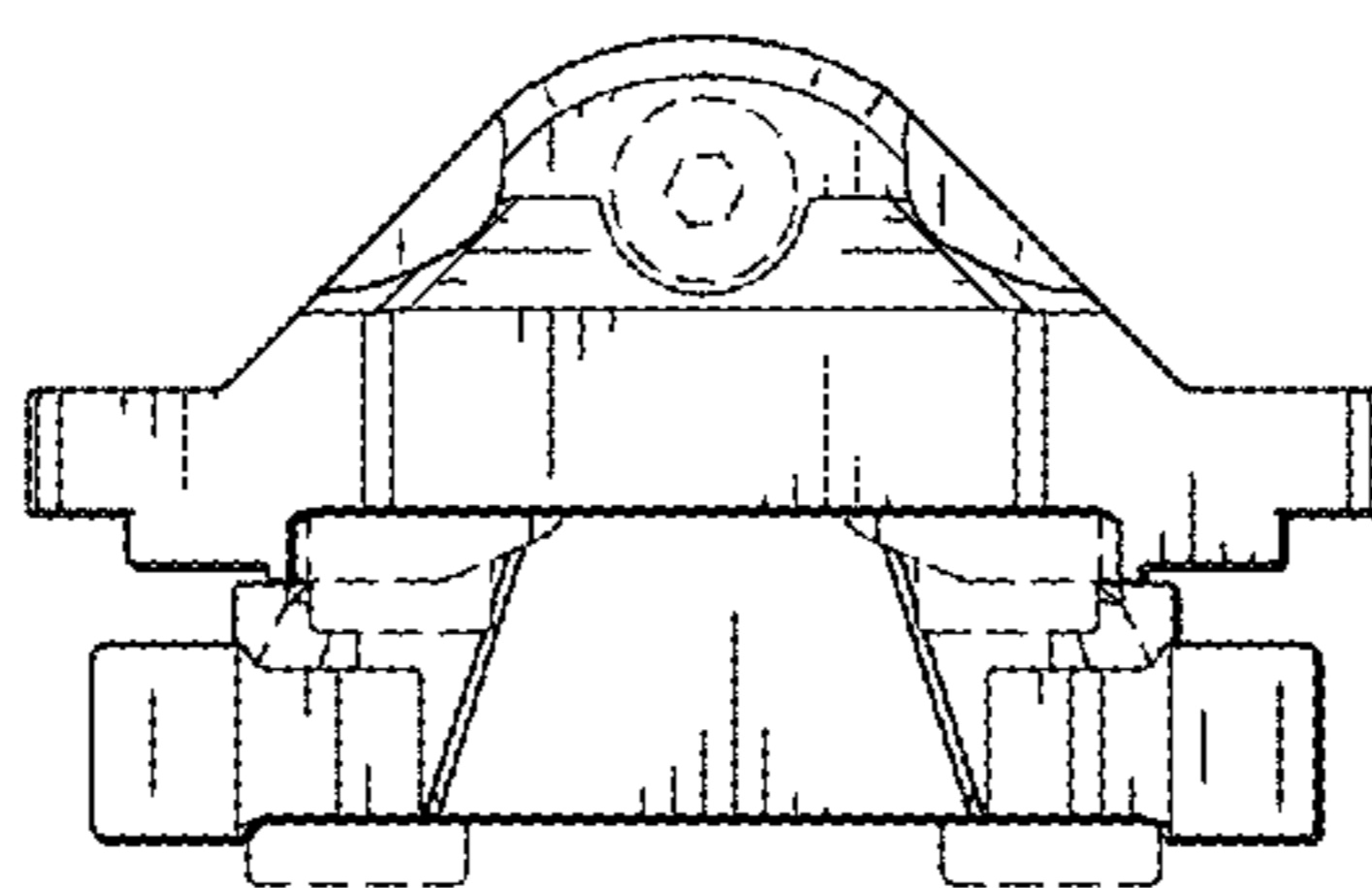


FIG. 3

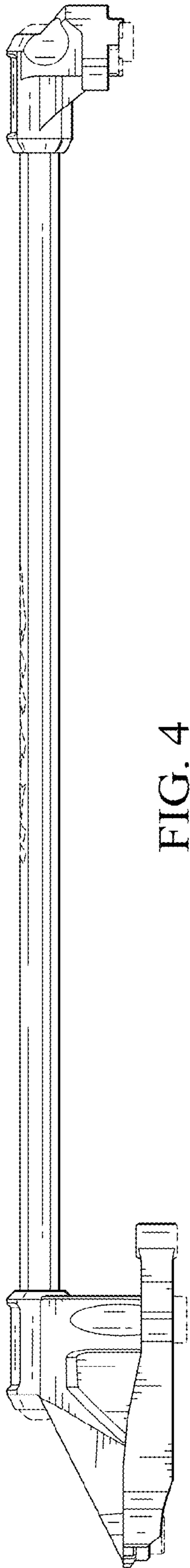


FIG. 4

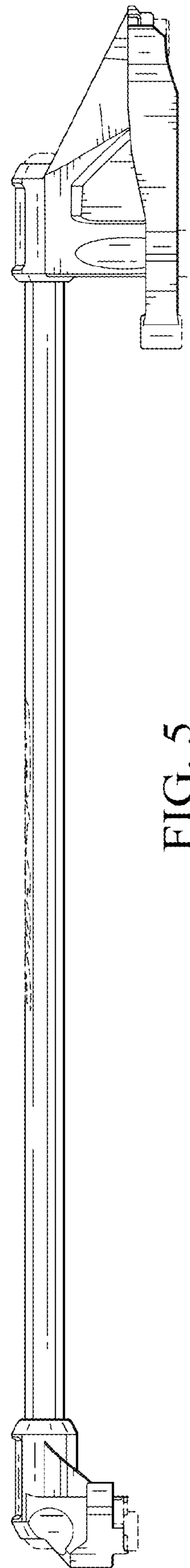
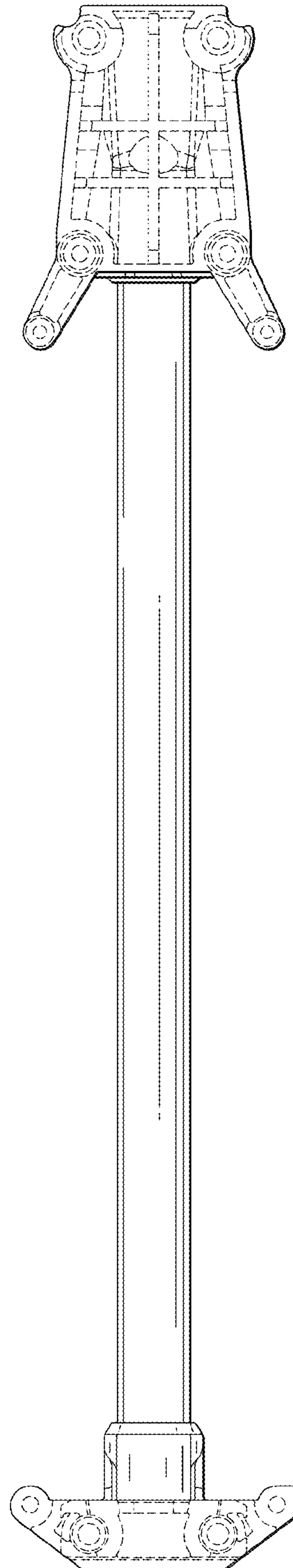
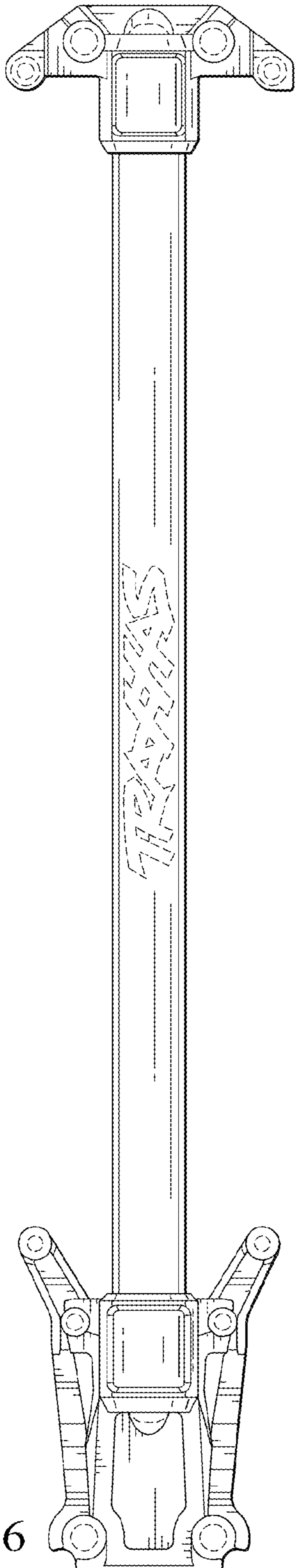


FIG. 5



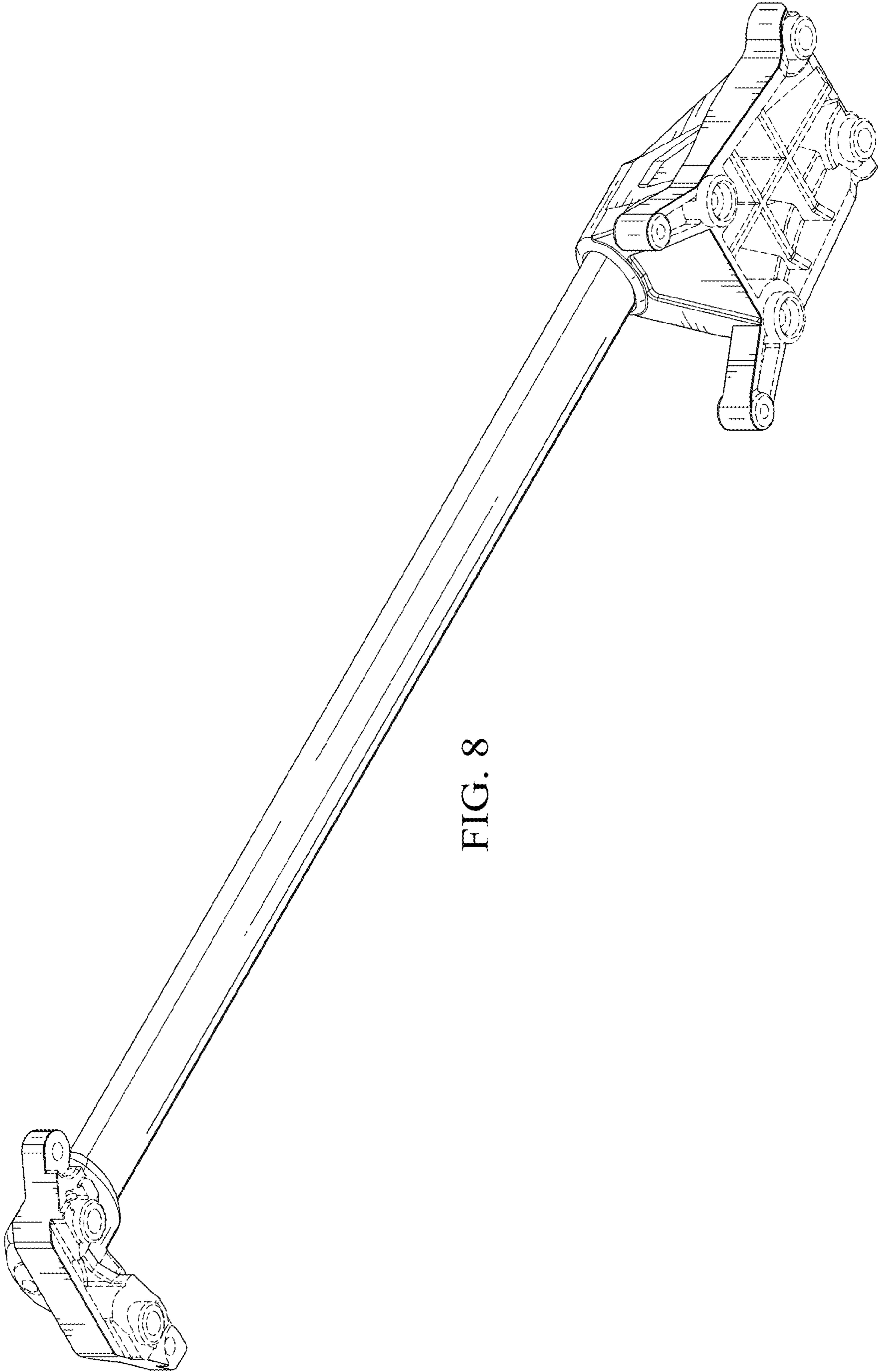


FIG. 8