



US00D968525S

(12) **United States Design Patent** (10) **Patent No.:** **US D968,525 S**
Manzoni (45) **Date of Patent:** **** *Nov. 1, 2022**

(54) **TOY CAR**

(71) Applicant: **FERRARI S.p.A.**, Modena (IT)

(72) Inventor: **Flavio Manzoni**, Modena (IT)

(73) Assignee: **FERRARI S.p.A.**, Modena (IT)

(*) Notice: This patent is subject to a terminal disclaimer.

(**) Term: **15 Years**

(21) Appl. No.: **35/512,189**

(22) Filed: **Jan. 14, 2021**

(80) **Hague Agreement Data**

Int. Filing Date: **Jan. 14, 2021**

Int. Reg. No.: **DM/212277**

Int. Reg. Date: **Jan. 14, 2021**

Int. Reg. Pub. Date: **Jul. 16, 2021**

(30) **Foreign Application Priority Data**

Jul. 15, 2020 (EM) 008042139

(51) **LOC (13) Cl.** **21-01**

(52) **U.S. Cl.**
USPC **D21/549**

(58) **Field of Classification Search**

USPC D12/82, 86, 88, 90-92, 196; D21/424,
D21/433, 434, 533, 548-551

CPC B62D 25/00; B62D 25/06; B62D 33/00;
B62D 35/00; B62D 31/00; B62D 31/003;
B62D 47/00

See application file for complete search history.

(56) **References Cited**

U.S. PATENT DOCUMENTS

D781,748 S *	3/2017	Manzoni	D12/92
D820,164 S *	6/2018	Nurnberger	D12/92
D826,093 S *	8/2018	Manzoni	D12/92
D827,494 S *	9/2018	Manzoni	D12/92
D834,998 S *	12/2018	Manzoni	D12/92
D839,135 S *	1/2019	Trim	D12/92
D848,331 S *	5/2019	Nurnberger	D12/190
D881,073 S *	4/2020	Donfrancesco	D12/92
D928,659 S *	8/2021	Bernardi	D12/92
D935,351 S *	11/2021	Lim	D12/92

* cited by examiner

Primary Examiner — Joseph Kukella

(74) *Attorney, Agent, or Firm* — Cowan, Liebowitz & Latman, P.C.; Anastasia Zhadina

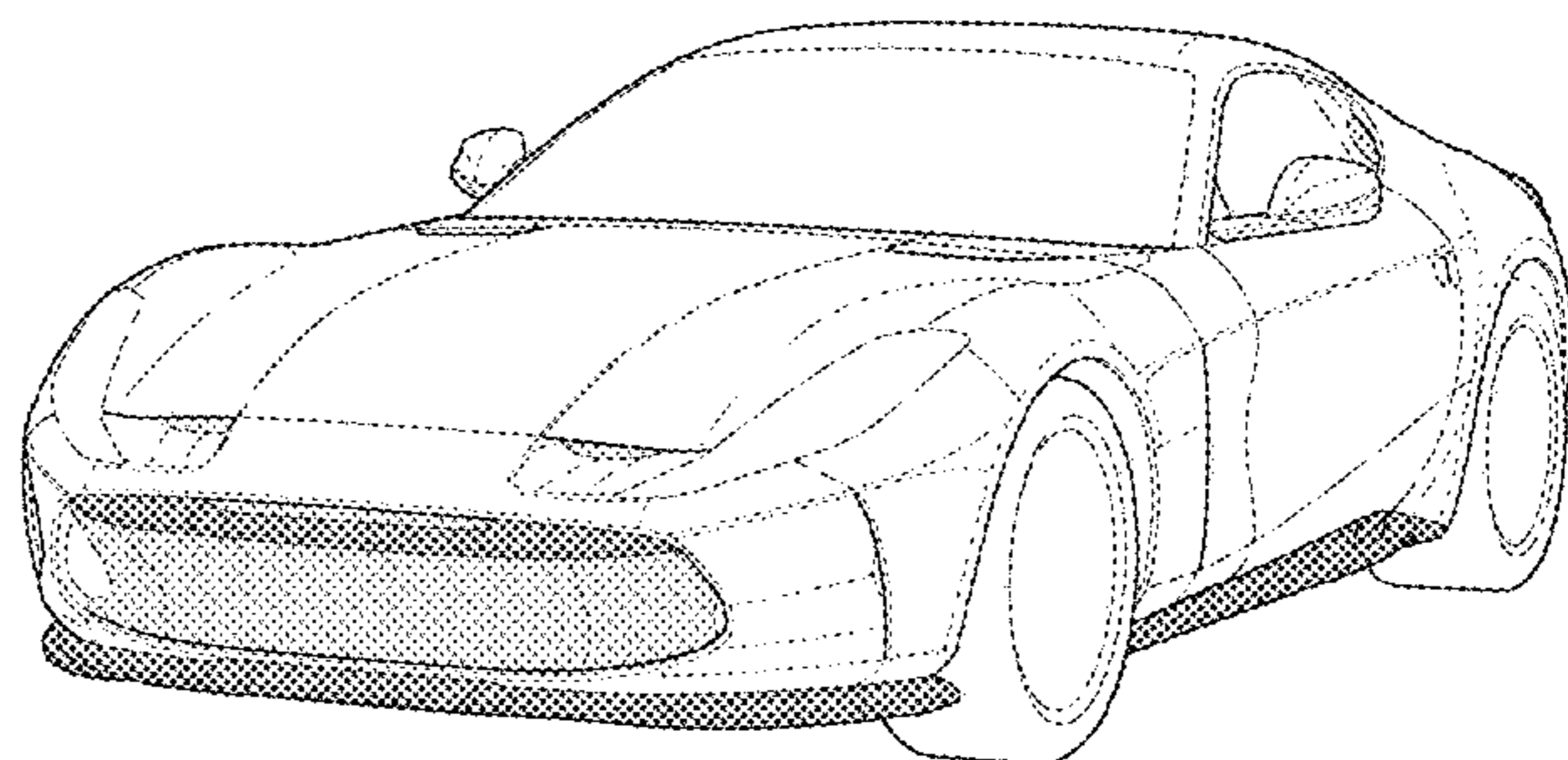
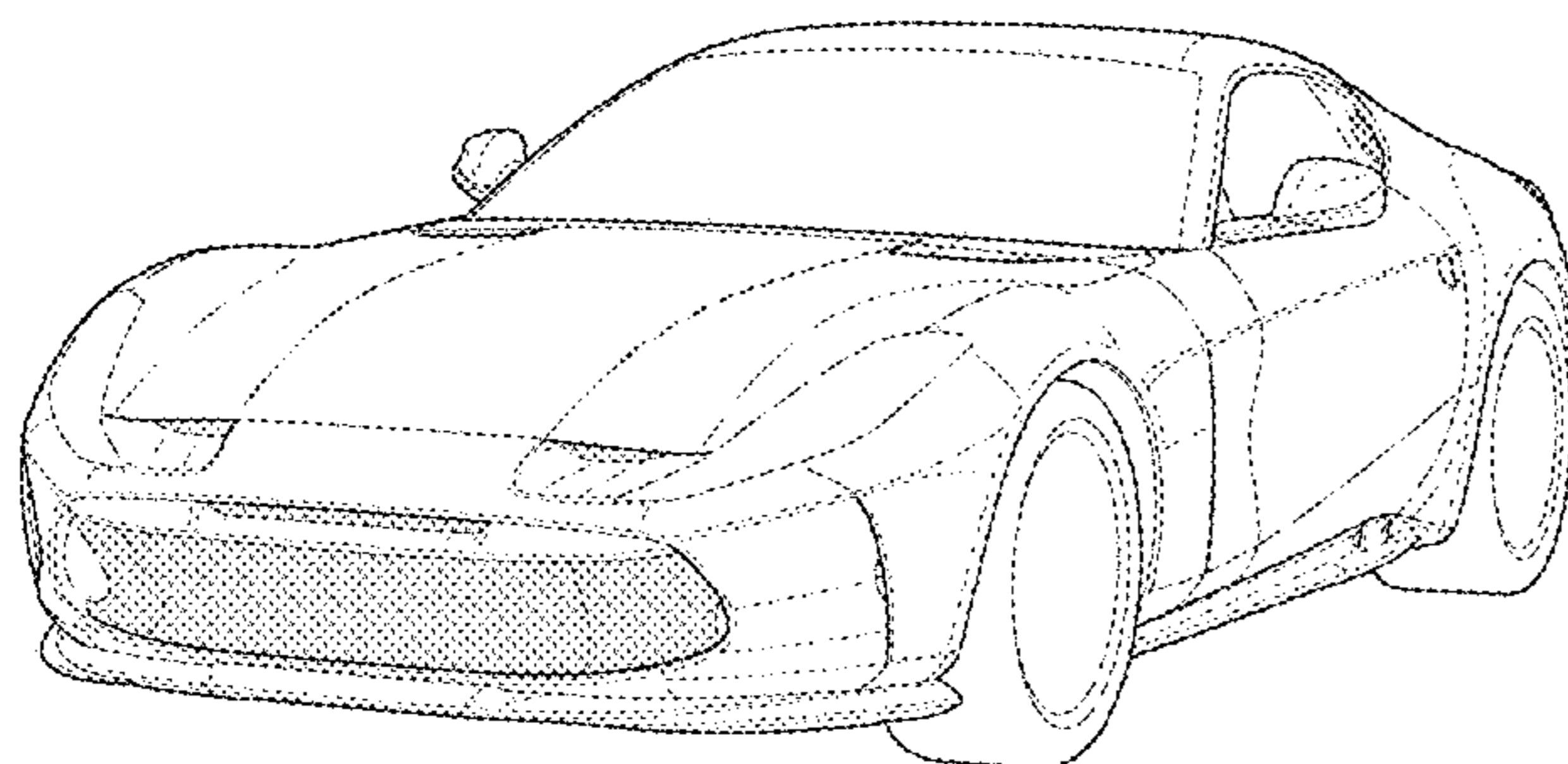
(57) **CLAIM**

The ornamental design for toy car, as shown and described.

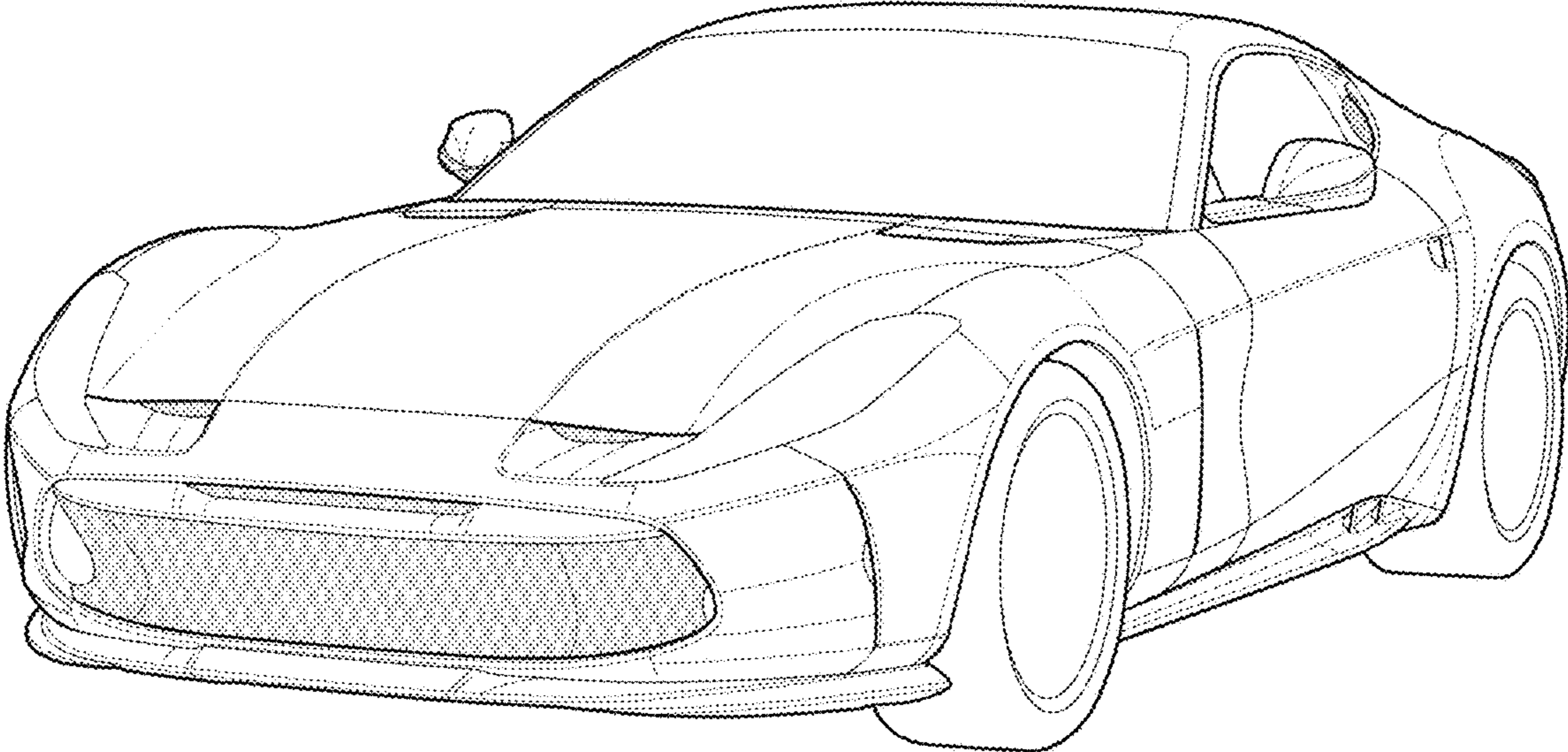
DESCRIPTION

- 1. Toy car
- 2. Toy car
 - 1.1 : Front perspective view
 - 1.2 : Rear perspective view
 - 1.3 : Front
 - 1.4 : Rear view
 - 1.5 : Lateral view
 - 1.6 : Top plan view
 - 2.1 : Front perspective view
 - 2.2 : Rear perspective view
 - 2.3 : Front
 - 2.4 : Rear view
 - 2.5 : Lateral view
 - 2.6 : Top plan view
 - 2.7 : Bottom

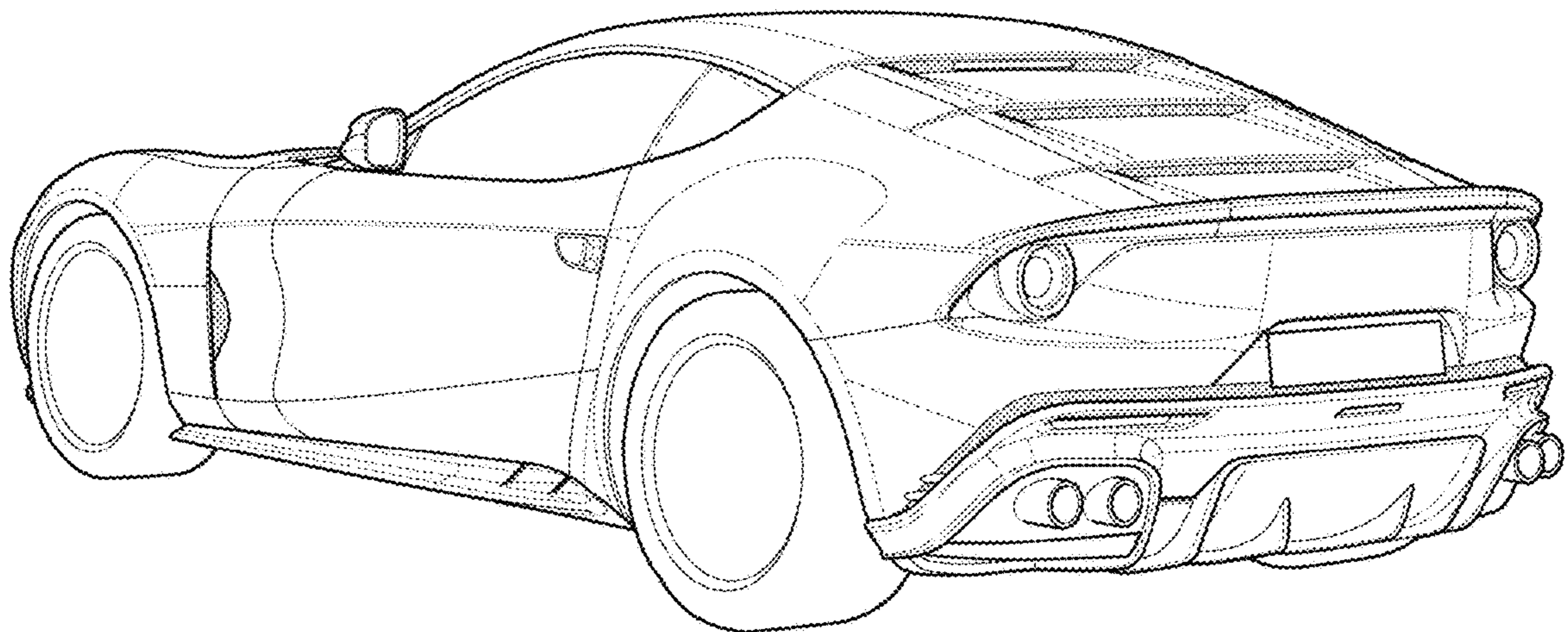
1 Claim, 13 Drawing Sheets



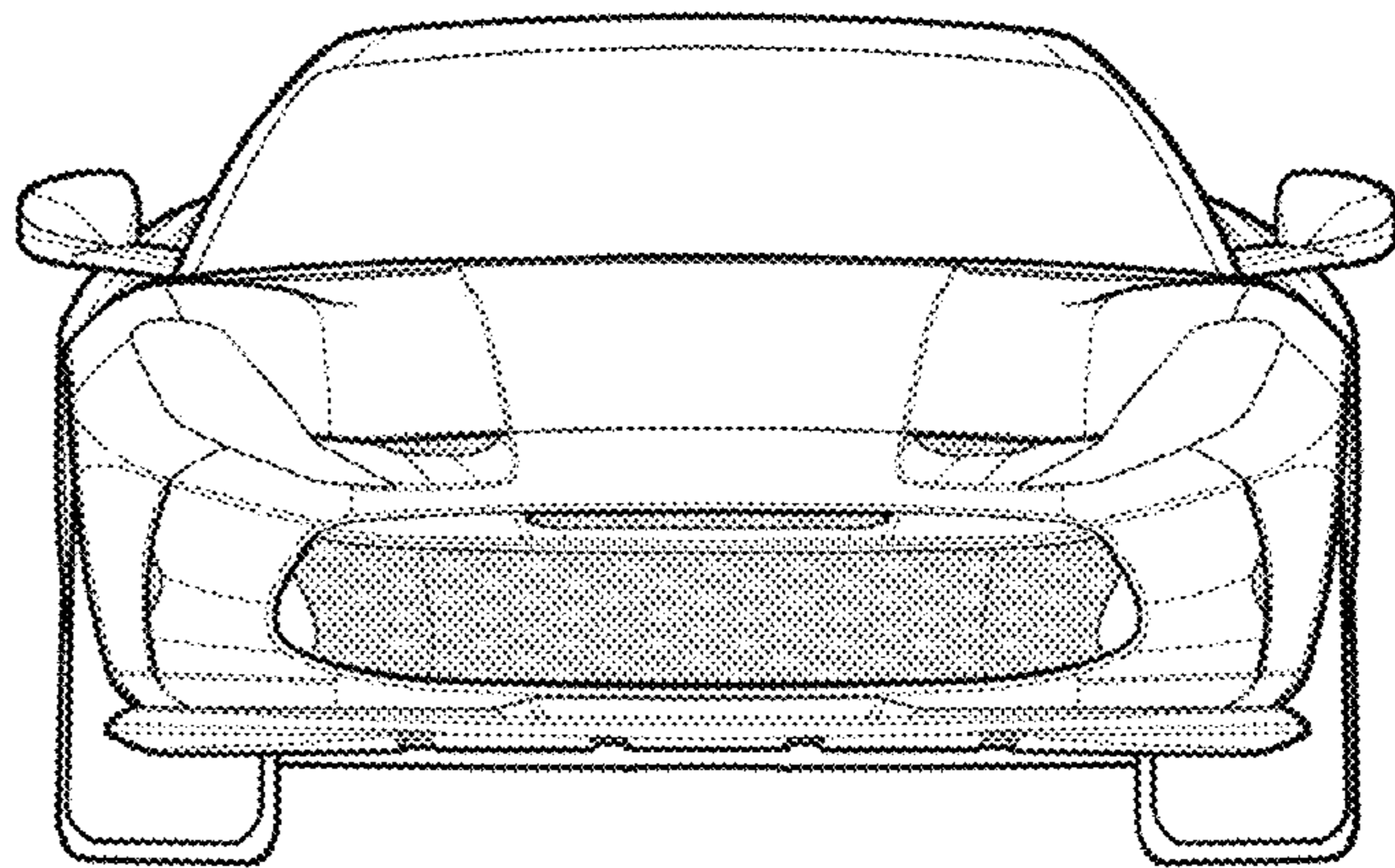
1.1



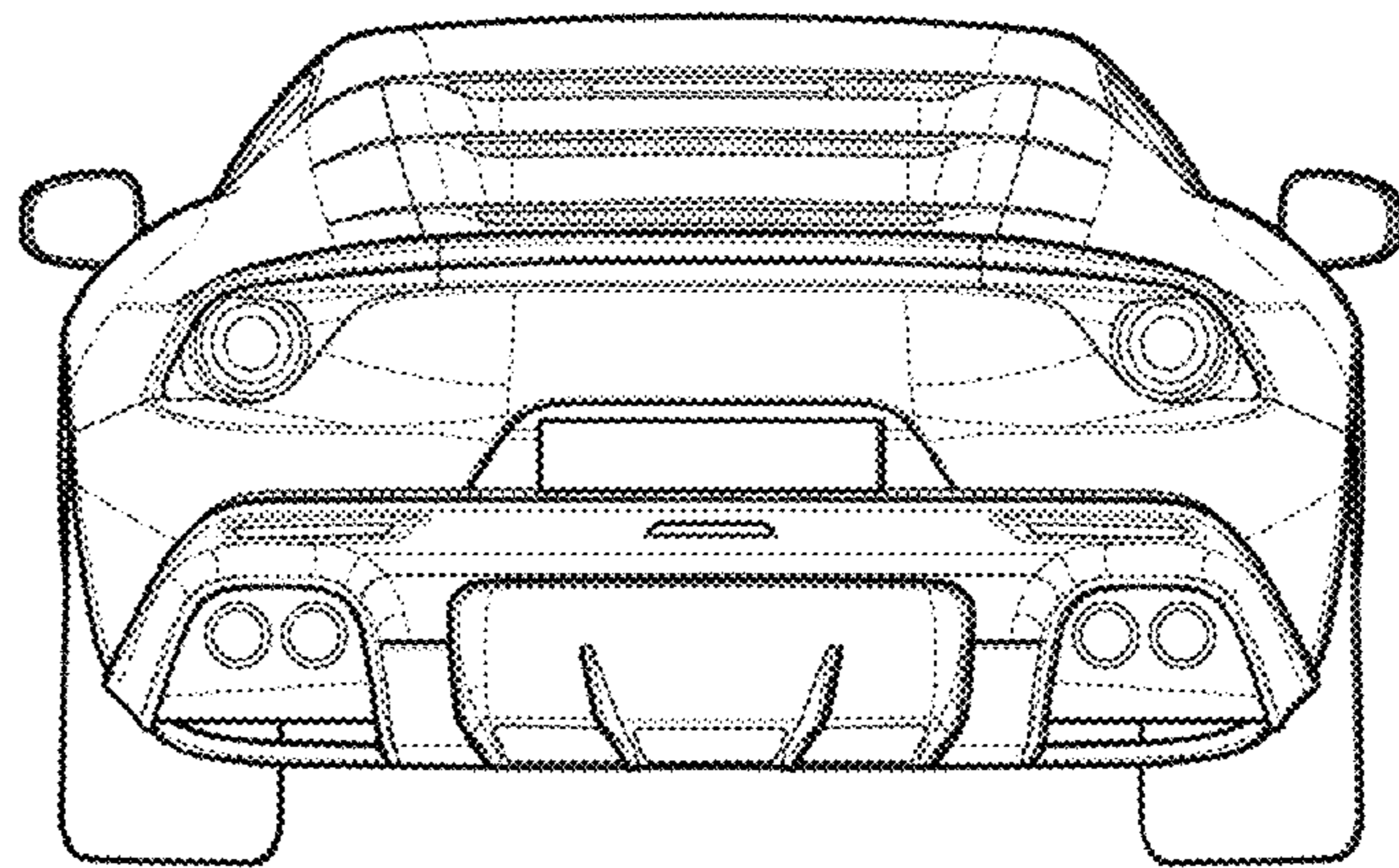
1.2



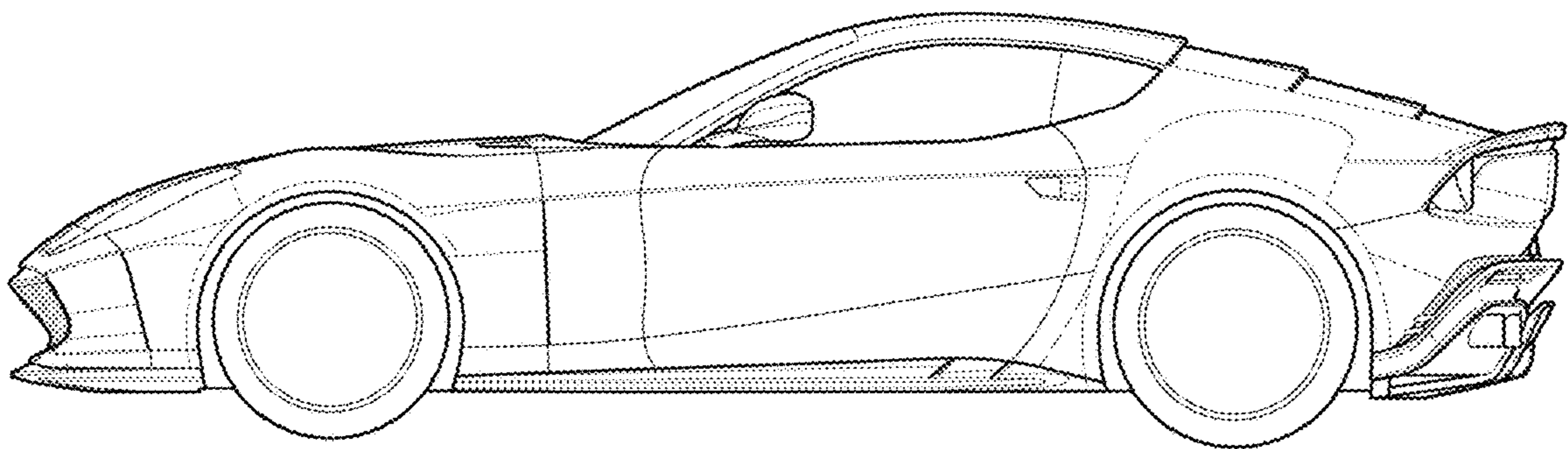
1.3



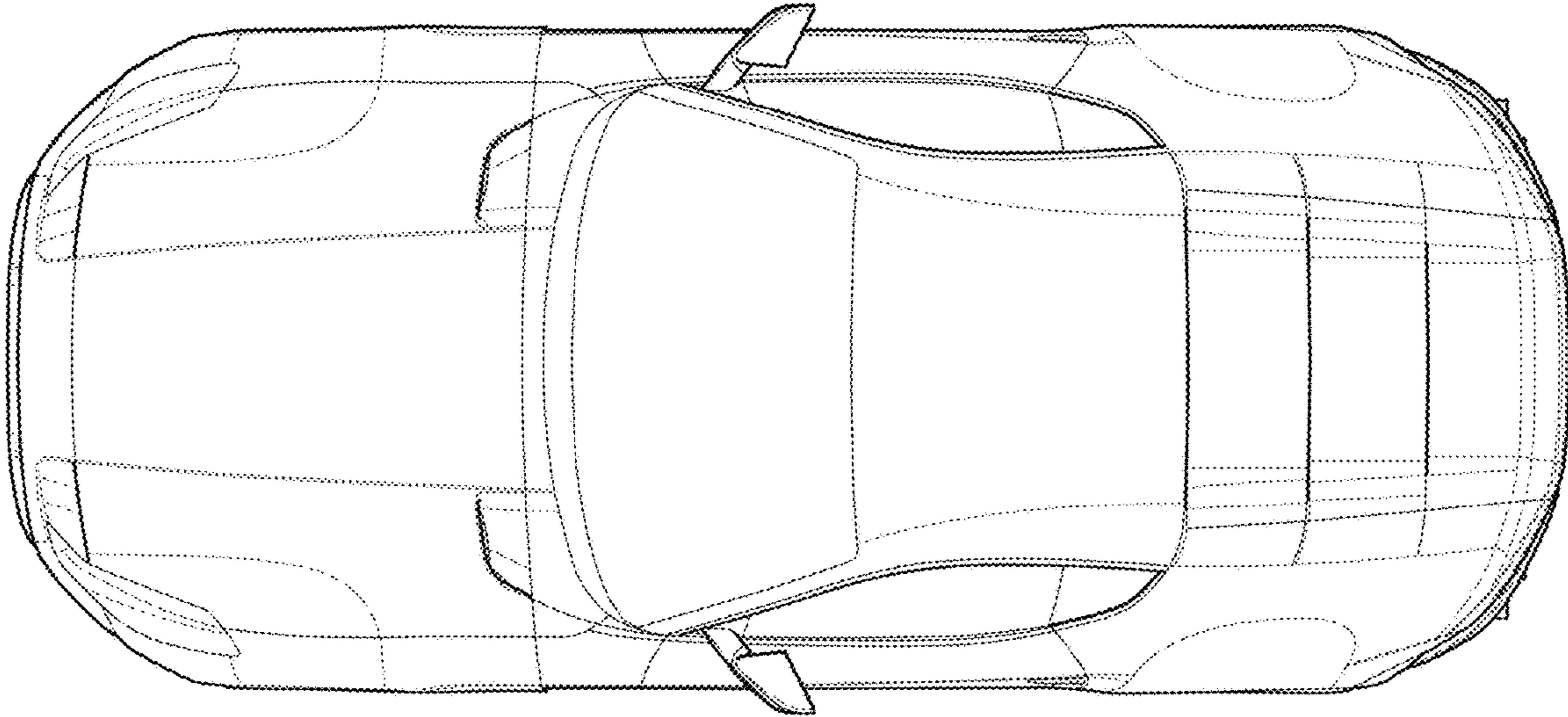
1.4



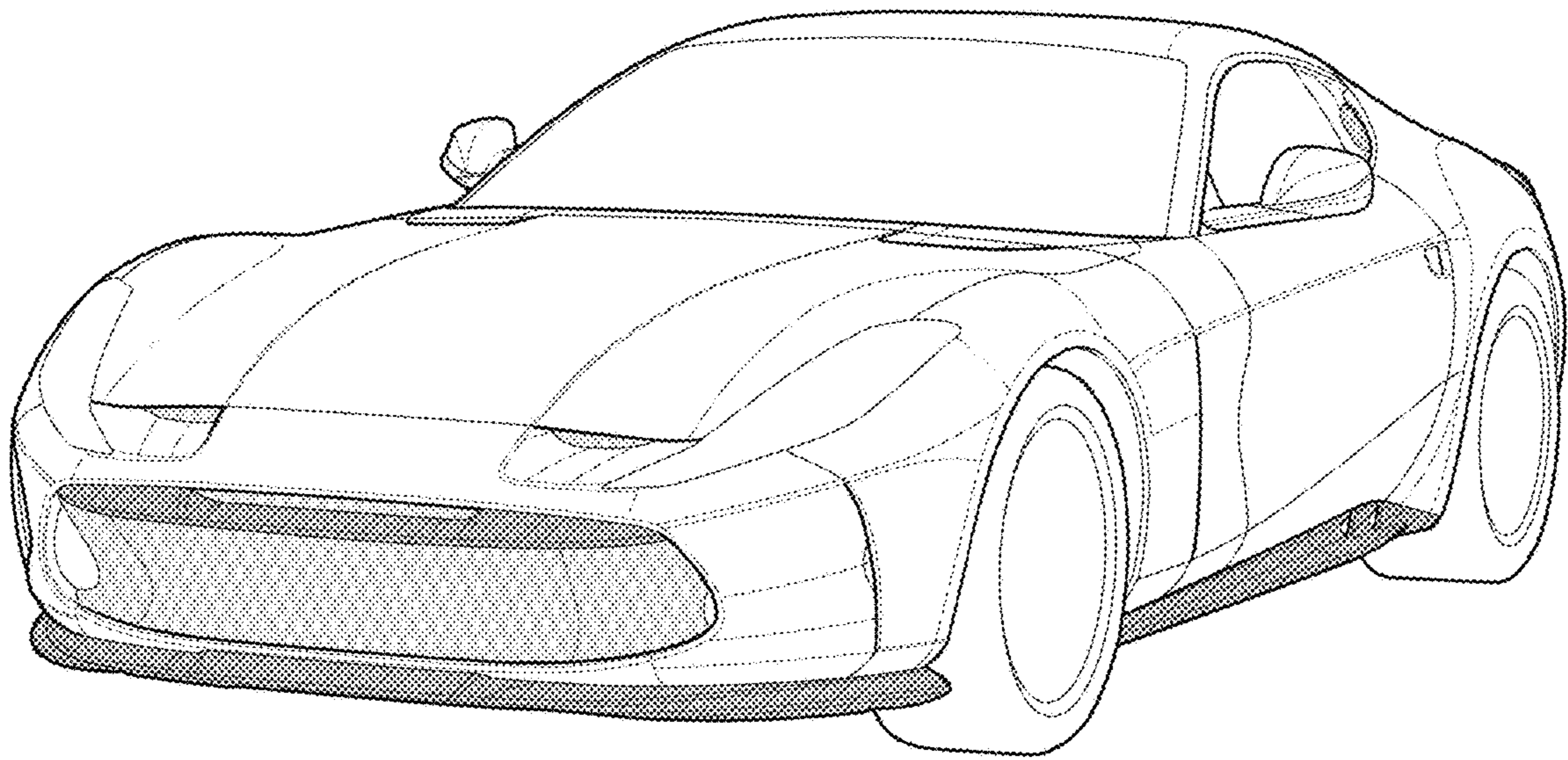
1.5



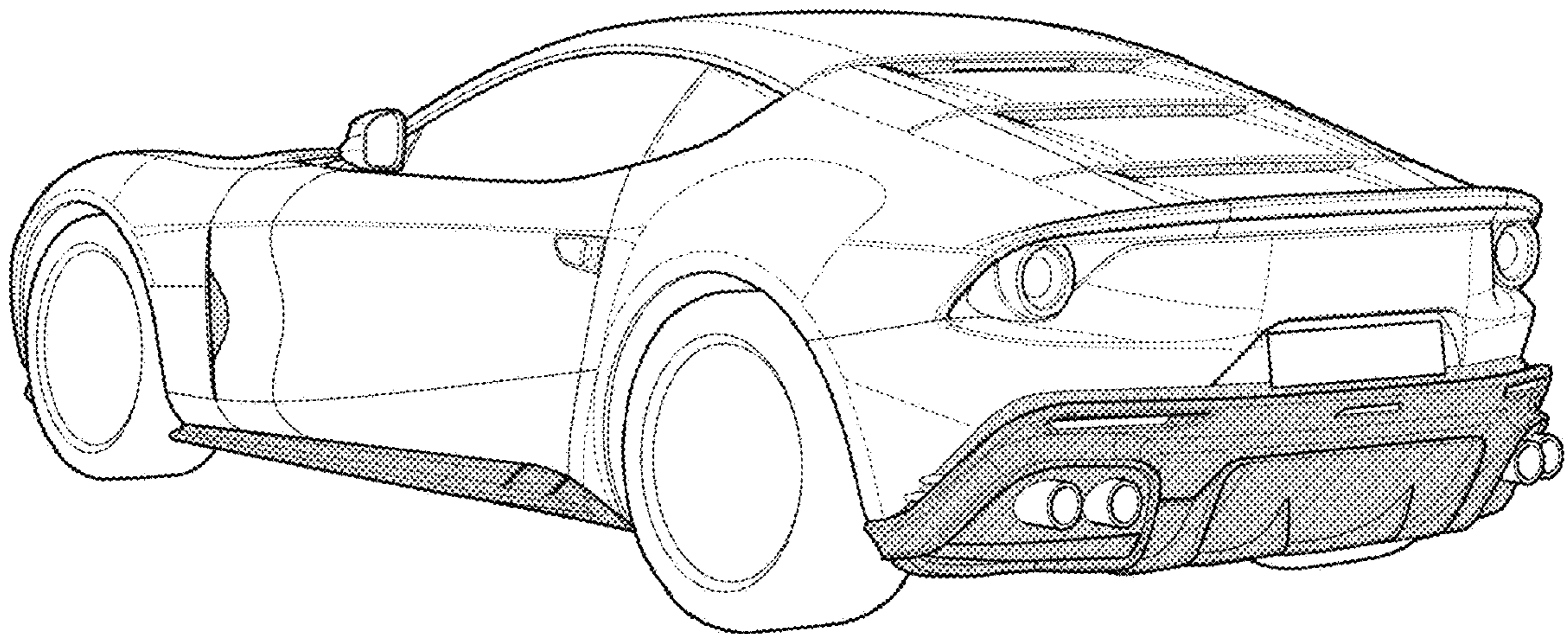
1.6



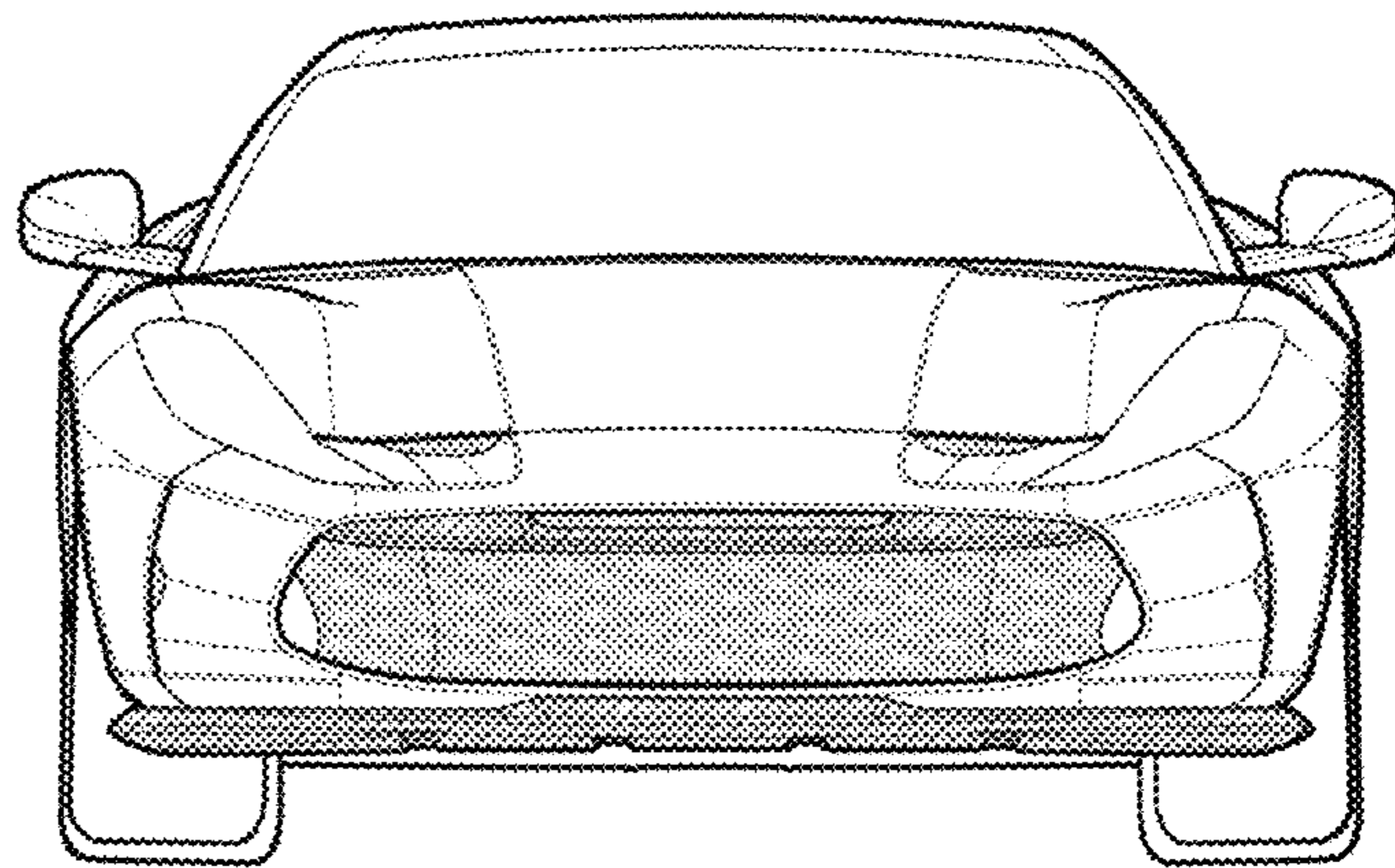
2.1



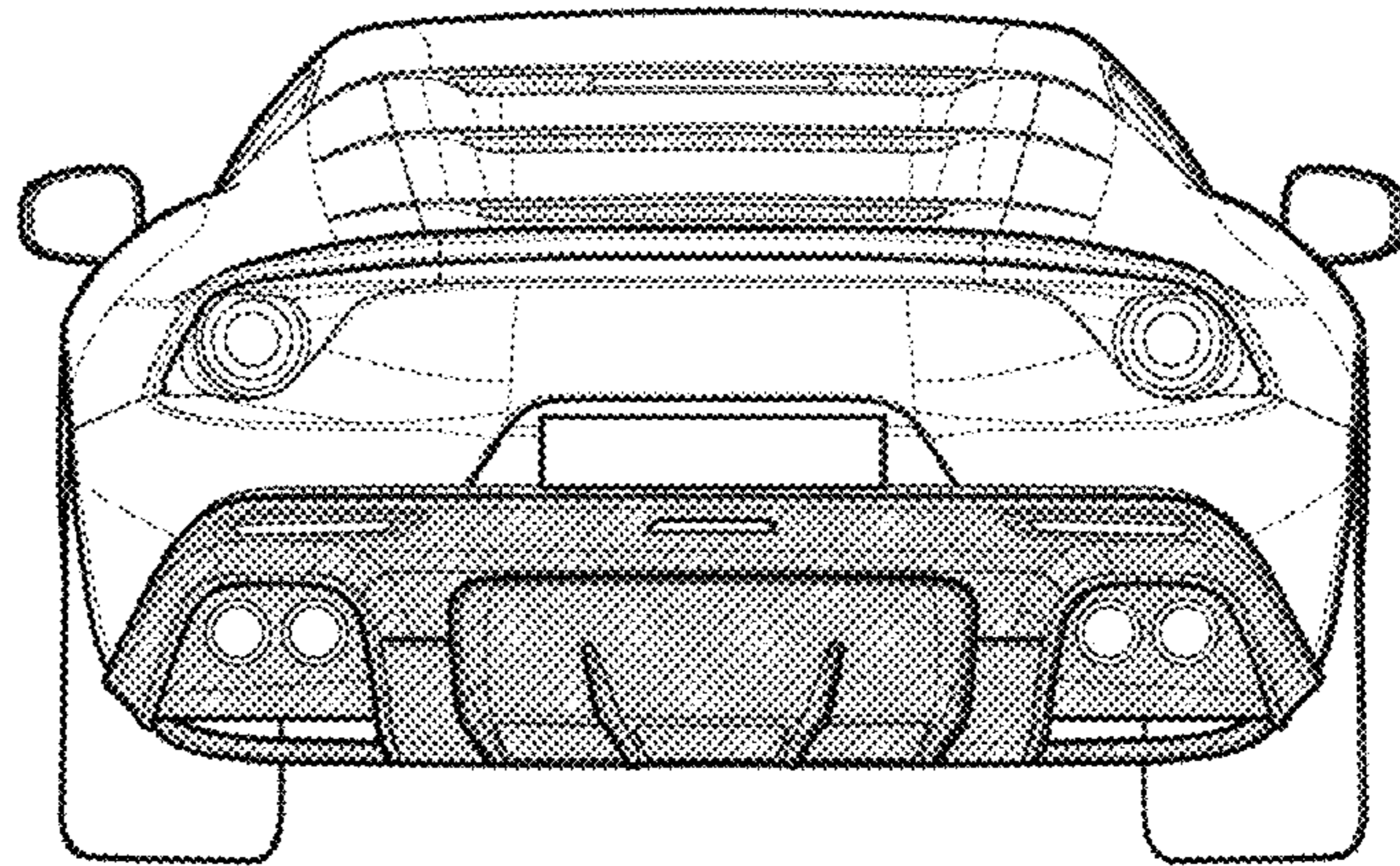
2.2



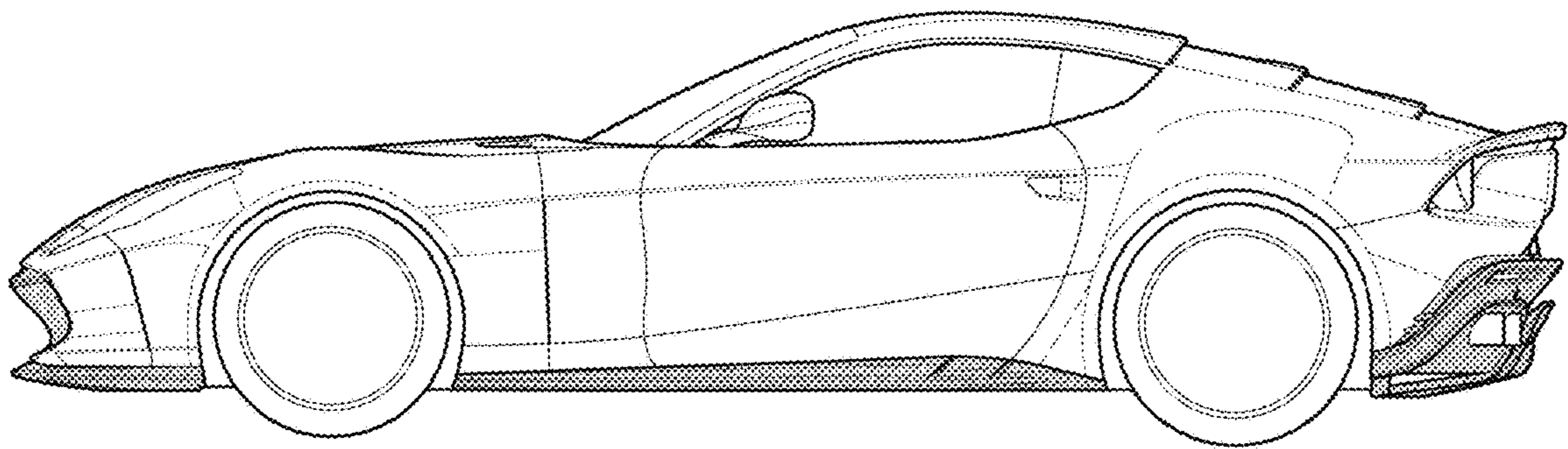
2.3



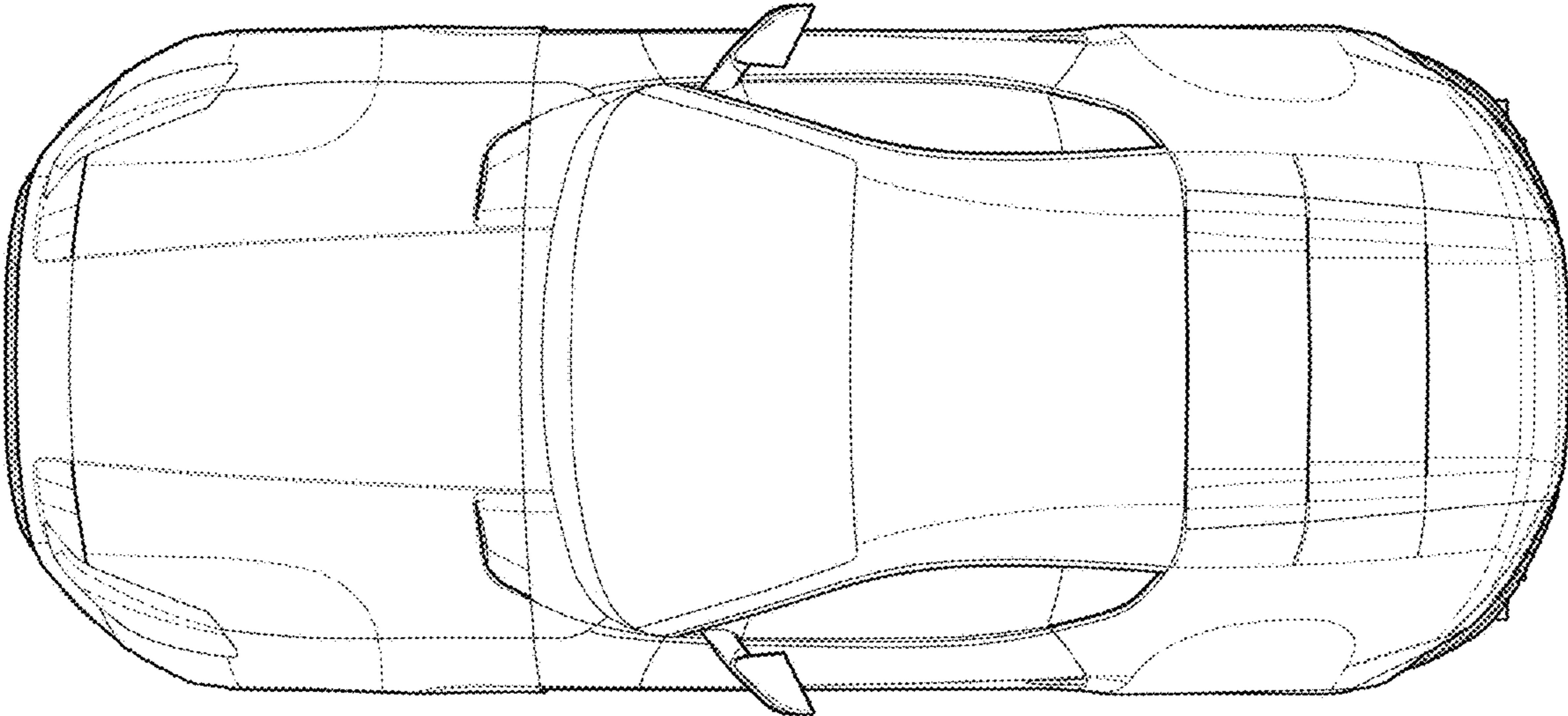
2.4



2.5



2.6



2.7

