



US00D968523S

(12) **United States Design Patent**  
**Wang**

(10) **Patent No.:** **US D968,523 S**

(45) **Date of Patent:** **\*\* Nov. 1, 2022**

(54) **MINI DIAMOND TOY CAR**  
(71) Applicant: **Laltitude LLC**, Hacienda Heights, CA  
(US)  
(72) Inventor: **Howard Wang**, Hacienda Heights, CA  
(US)

2,186,737 A \* 1/1940 Smith ..... A63H 19/15  
105/238.2  
D128,493 S \* 7/1941 Larrabee ..... B62B 3/007  
D21/541  
2,701,152 A \* 2/1955 Cutler ..... A63H 19/18  
280/514

(Continued)

(\*\*) Term: **15 Years**

**FOREIGN PATENT DOCUMENTS**

(21) Appl. No.: **29/760,908**

CN 305906006 \* 7/2020  
KR 300795487.0001 \* 9/2015

(22) Filed: **Dec. 4, 2020**

**OTHER PUBLICATIONS**

(51) **LOC (13) Cl.** ..... **21-01**

“Magna-Tiles Cars Expansion Set,” Sep. 1, 2016, amazon.com, site visited Jun. 22, 2022, URL: <https://www.amazon.com/Magna-Tiles-2-Piece-Car-Expansion-Award-Winning/dp/B01HFGY426> (Year: 2016).\*

(52) **U.S. Cl.**

USPC ..... **D21/534**; D21/536

(58) **Field of Classification Search**

USPC ..... D21/533, 534, 536, 540, 541, 559, 561,  
D21/564

CPC ..... A63H 19/02; A63H 19/15; A63H 19/04;  
A63H 19/18; A63H 19/36; A63H 19/16;  
B61F 13/00

See application file for complete search history.

(Continued)

*Primary Examiner* — Eric L Goodman  
*Assistant Examiner* — Sarah L Smith  
(74) *Attorney, Agent, or Firm* — Clement Cheng

(56) **References Cited**

**(57) CLAIM**

The ornamental design for a mini diamond toy car, as shown and described.

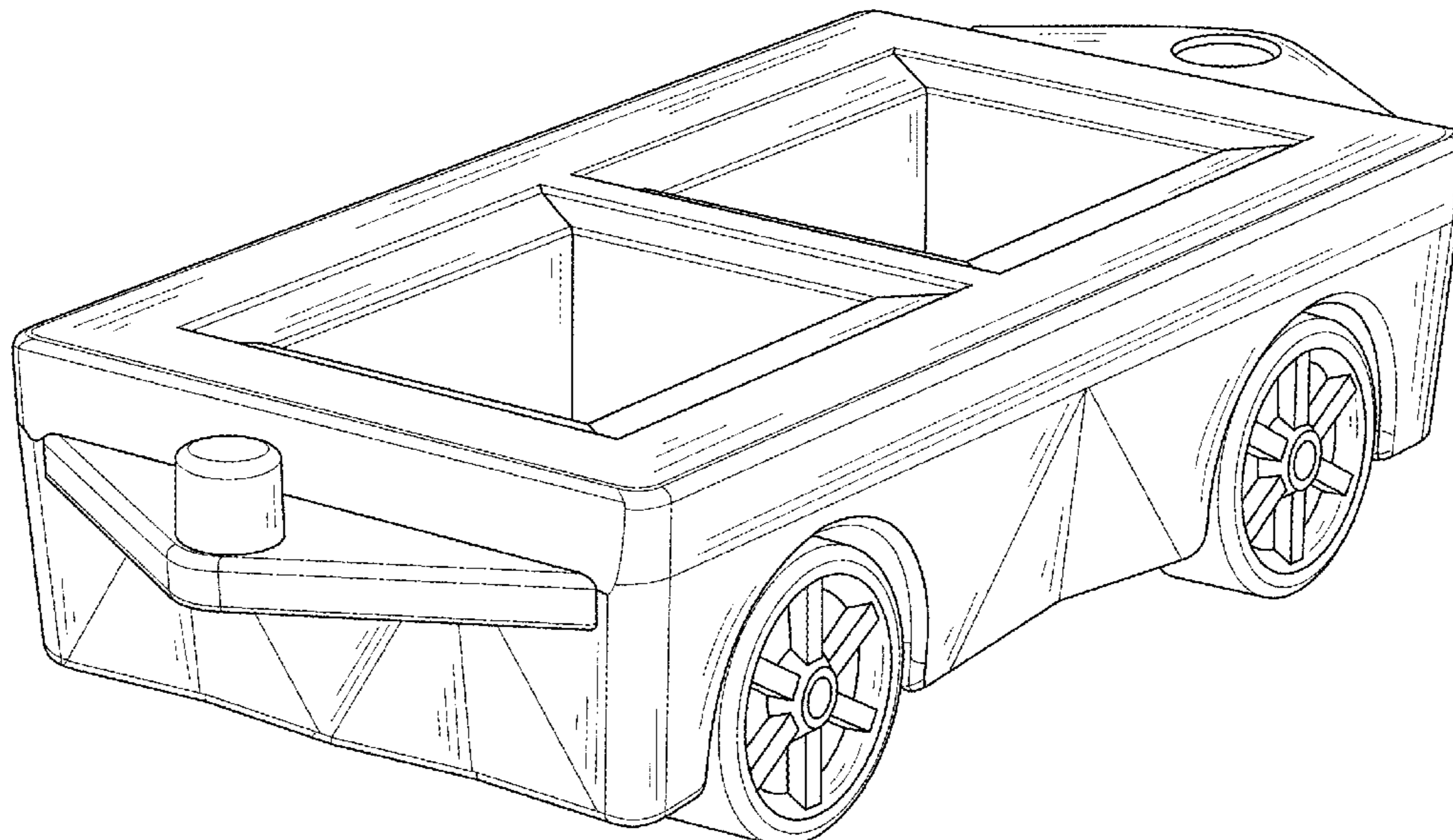
**U.S. PATENT DOCUMENTS**

**DESCRIPTION**

245,702 A \* 8/1881 Carpenter ..... A63H 19/02  
213/75 TC  
409,682 A \* 8/1889 Higham ..... B62B 3/007  
280/87.01  
1,527,626 A \* 2/1925 Borchardt ..... B60P 7/14  
105/283  
1,574,998 A \* 3/1926 Pendleton ..... B61F 5/38  
105/175.1  
1,580,120 A \* 4/1926 Dawson ..... B62D 55/108  
305/132  
1,912,848 A \* 6/1933 Knight ..... B60P 1/56  
12/142 F  
2,015,879 A \* 10/1935 Twente ..... B62D 33/08  
296/10

FIG. 1 is a front perspective view of a mini diamond toy car. FIG. 2 is a rear perspective view of a mini diamond toy car. FIG. 3 is a front side view of a mini diamond toy car. FIG. 4 is a rear side view of a mini diamond toy car. FIG. 5 is a left view of a mini diamond toy car, the right view of which is the same as the left view. FIG. 6 is a top view of a mini diamond toy car. FIG. 7 is a bottom view of a mini diamond toy car; and, FIG. 8 is a bottom perspective view of a mini diamond toy car.

**1 Claim, 8 Drawing Sheets**



(56)

**References Cited**

U.S. PATENT DOCUMENTS

3,044,096 A \* 7/1962 Englehart ..... A47L 13/56  
15/260  
3,591,194 A \* 7/1971 Vega ..... F25D 3/06  
220/259.2  
4,008,931 A \* 2/1977 Kennedy, Jr. .... A47B 87/00  
52/592.1  
D295,338 S \* 4/1988 Hays ..... A63H 19/02  
D34/21  
D313,634 S \* 1/1991 Weiland ..... B62D 33/08  
D21/540  
D396,023 S \* 7/1998 Mello ..... B60P 1/56  
D12/105  
D484,195 S \* 12/2003 Shippy ..... A63H 19/18  
D21/540  
D767,691 S \* 9/2016 Wang ..... A47L 13/56  
D21/540

OTHER PUBLICATIONS

“PicassoTiles PicassoToys PT64 3-in-1 Rocket,” Sep. 29, 2020,  
youtube.com, site visited Jun. 22, 2022, URL: <https://www.youtube.com/watch?v=IXsaxmw7MAAs> (Year: 2020).\*

\* cited by examiner

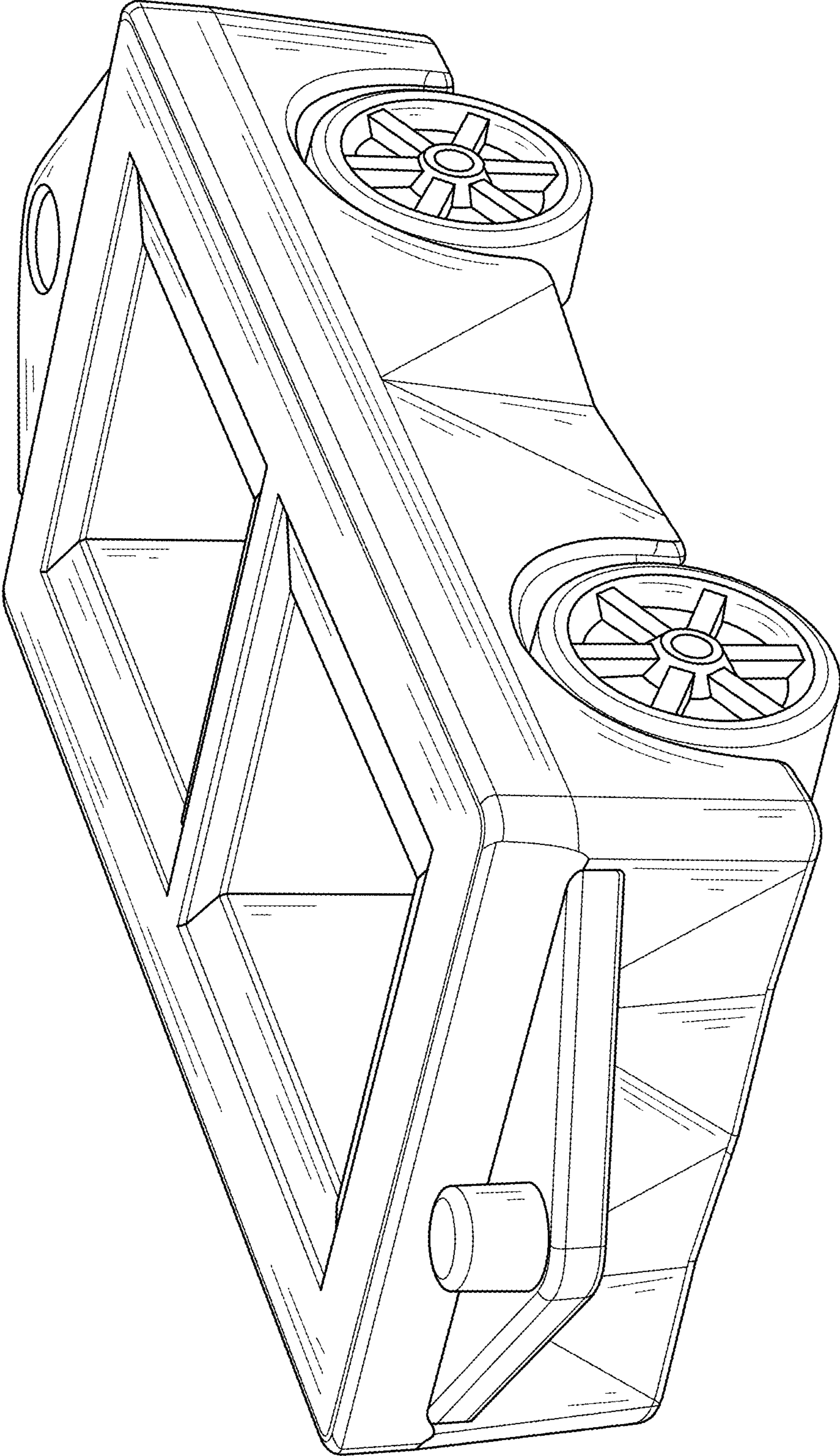


FIG. 1



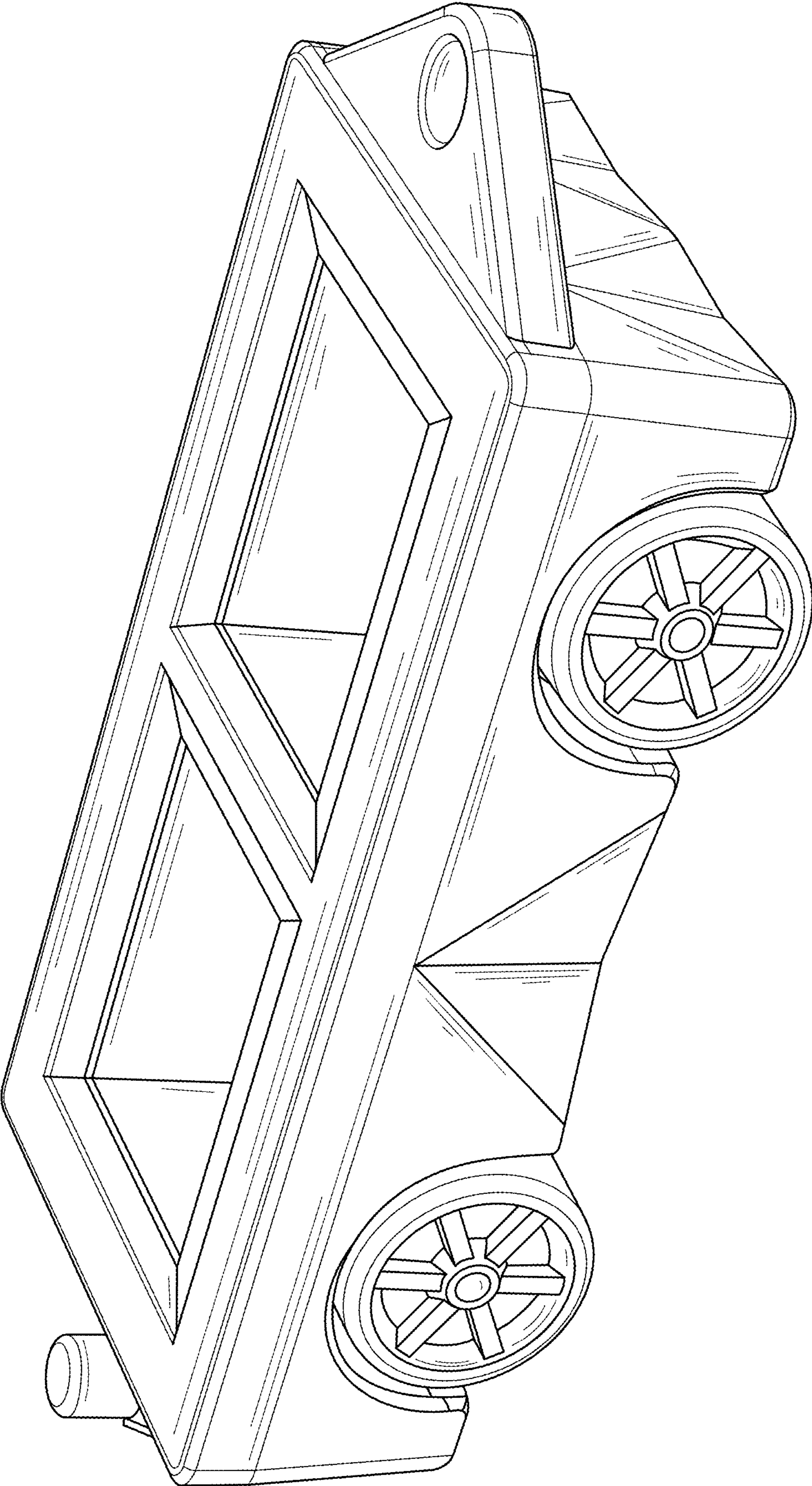


FIG. 2

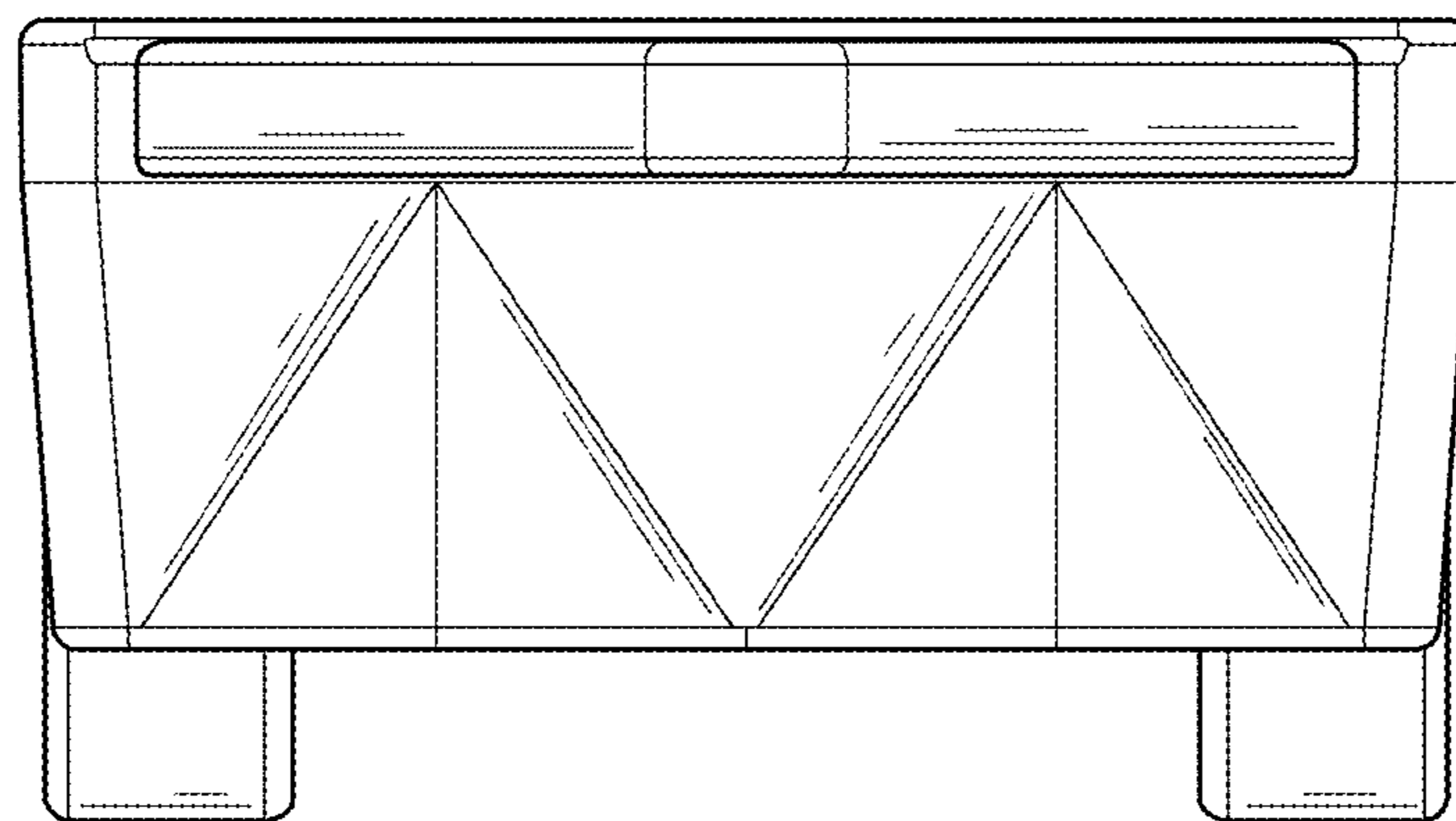


FIG. 3

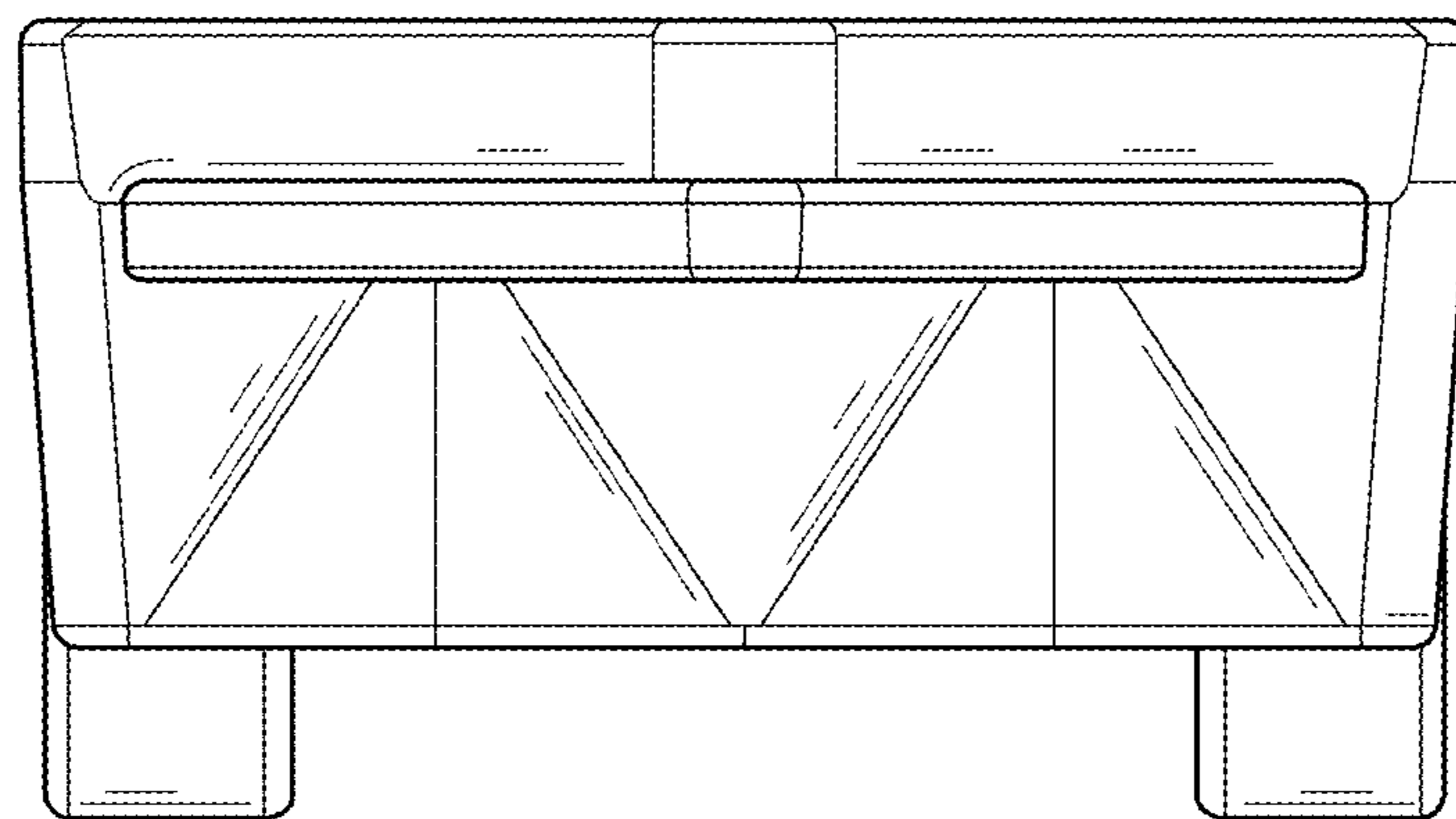


FIG. 4

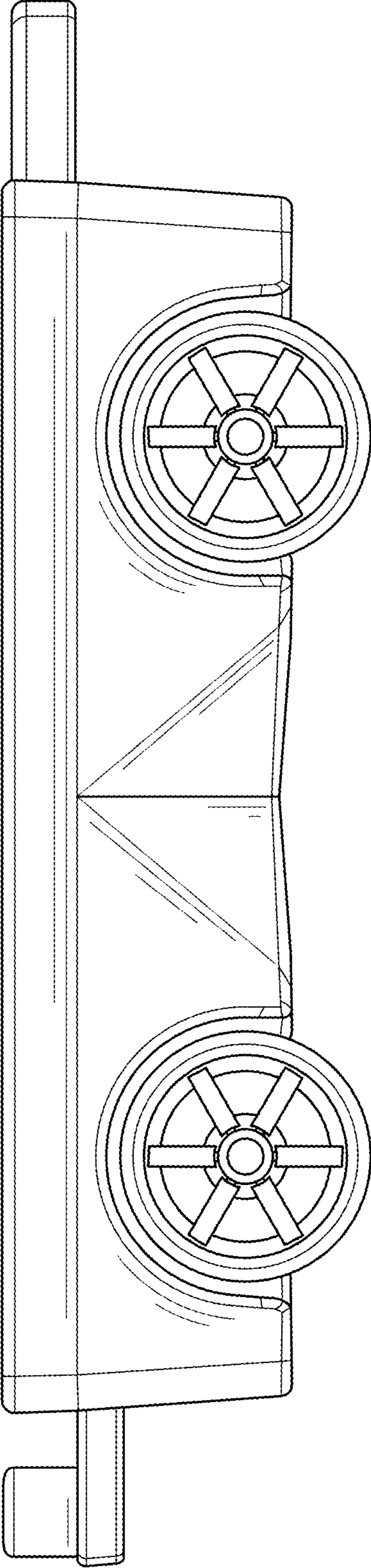


FIG. 5

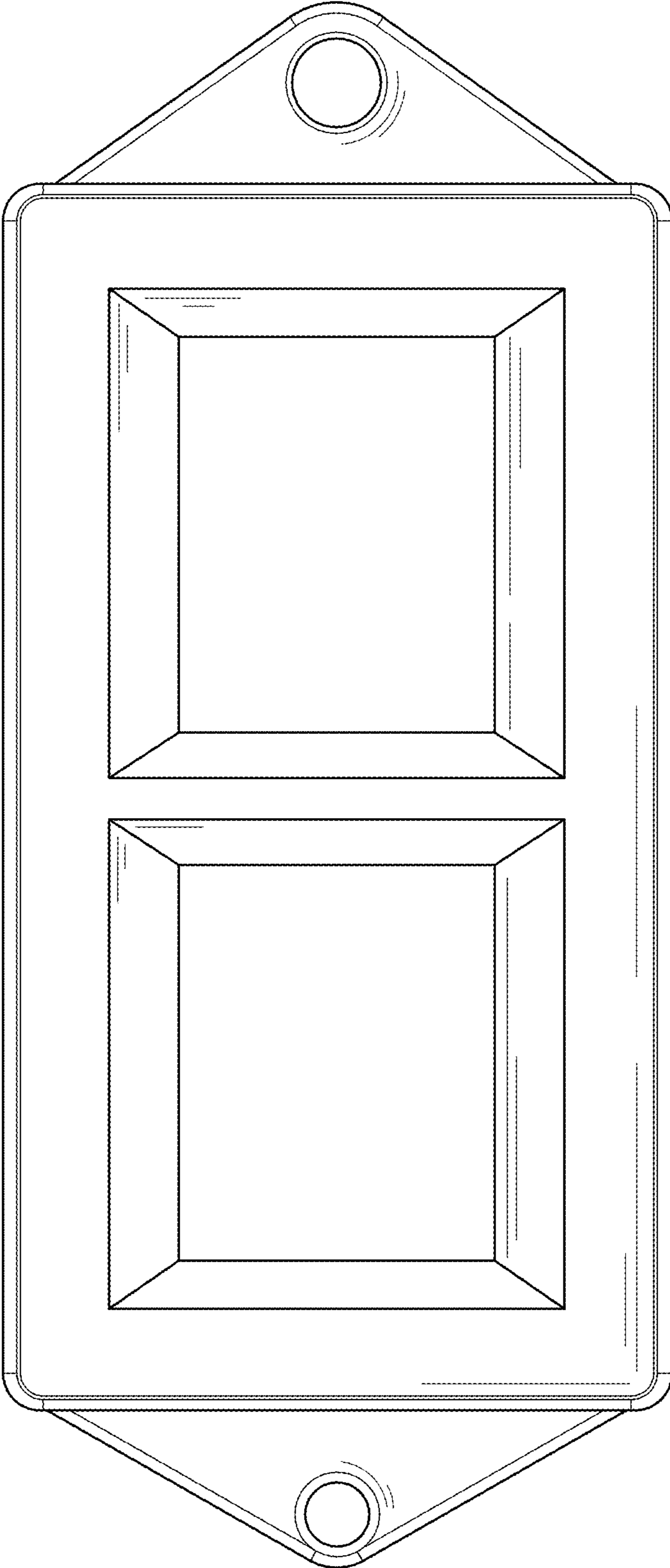


FIG. 6



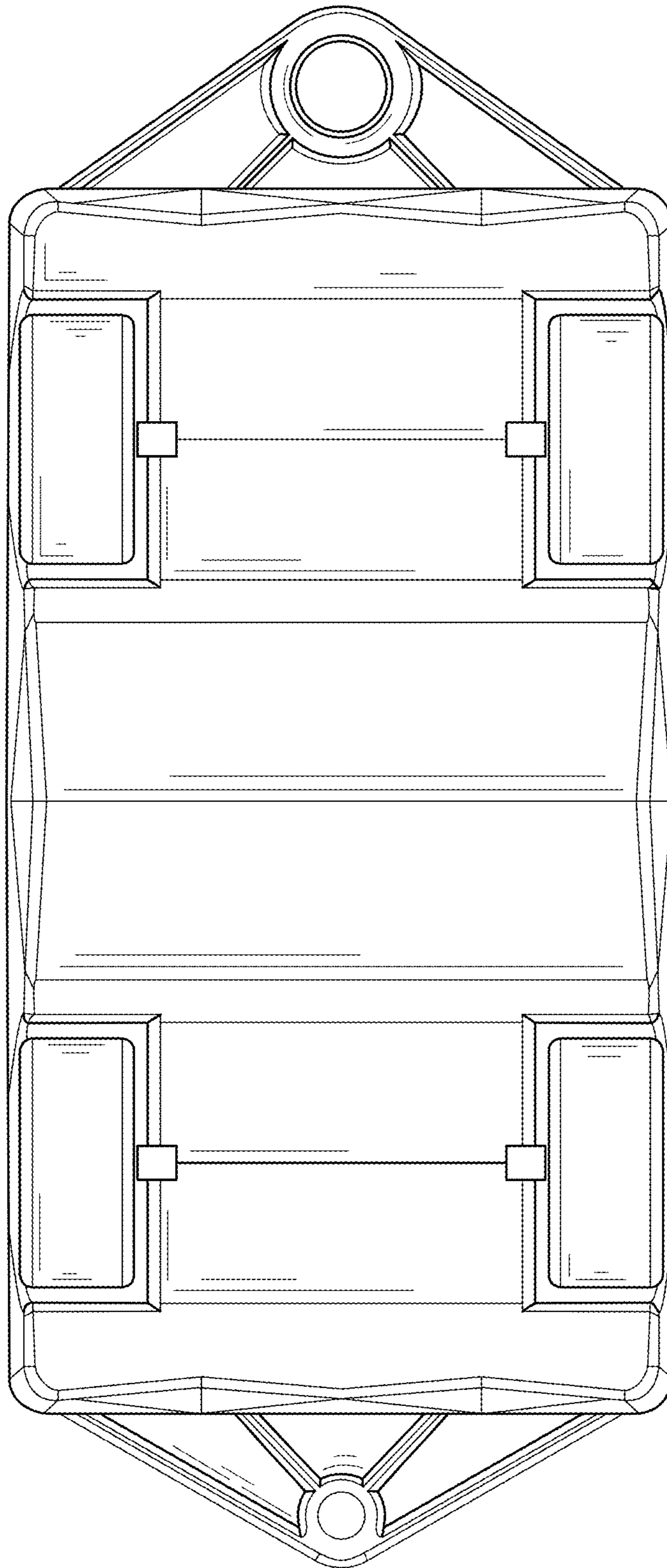


FIG. 7

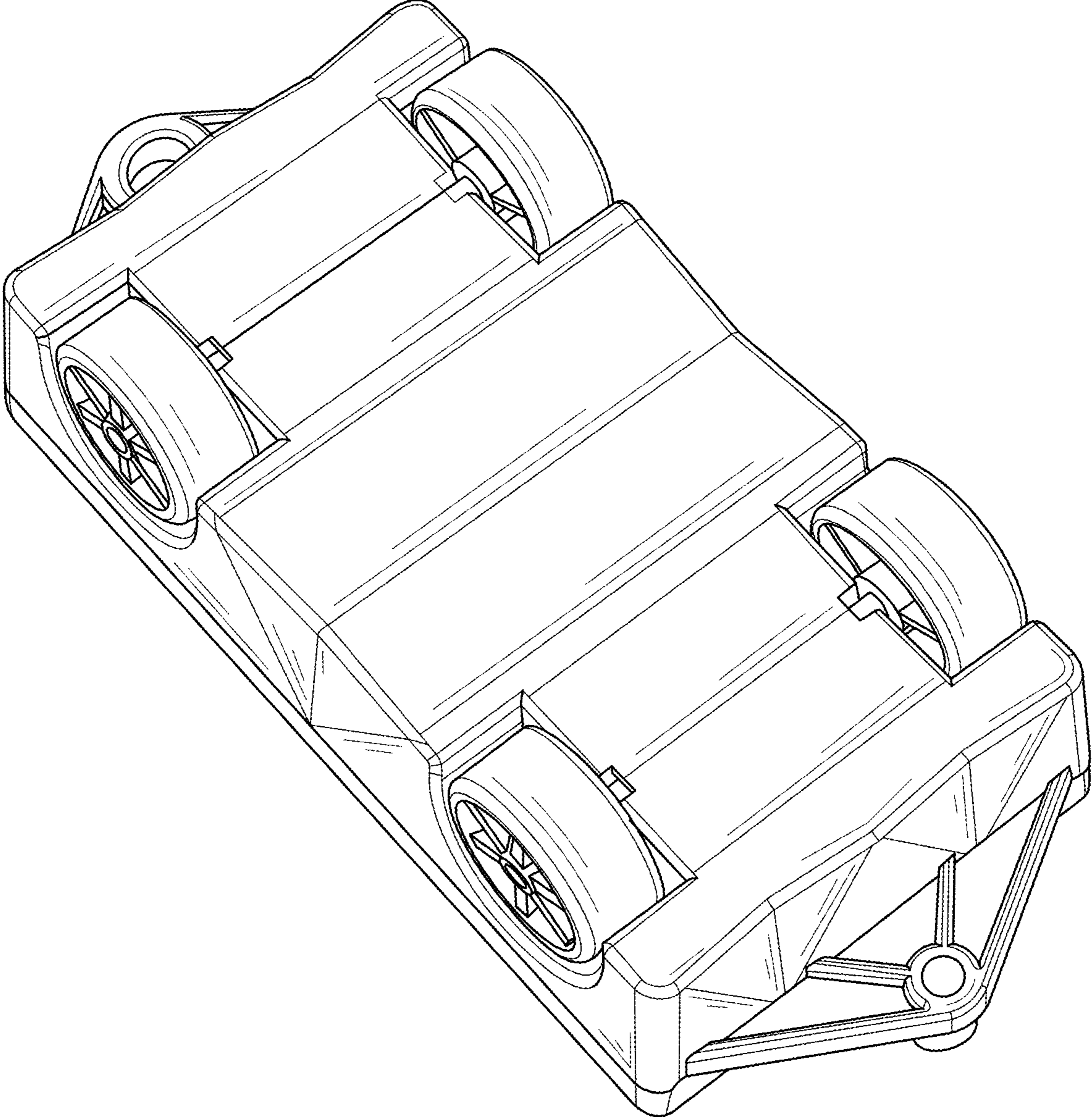


FIG. 8