



US00D968522S

(12) **United States Design Patent**  
**Hirabayashi et al.**

(10) **Patent No.:** **US D968,522 S**

(45) **Date of Patent:** **\*\* Nov. 1, 2022**

(54) **TOY PAPER PRESS**

(71) Applicant: **TOMY COMPANY, LTD.**, Tokyo (JP)

(72) Inventors: **Kuniharu Hirabayashi**, Tokyo (JP);  
**Maiko Tagami**, Tokyo (JP); **Atsuko Yoshimura**, Tokyo (JP)

(73) Assignee: **TOMY COMPANY, LTD.**, Tokyo (JP)

(\*\*) Term: **15 Years**

(21) Appl. No.: **29/737,904**

(22) Filed: **Jun. 12, 2020**

(30) **Foreign Application Priority Data**

Dec. 13, 2019 (JP) ..... 2019-027697

(51) **LOC (13) Cl.** ..... **21-01**

(52) **U.S. Cl.**  
USPC ..... **D21/528**

(58) **Field of Classification Search**

USPC ..... D21/398, 455, 468, 470, 528; D18/50,  
D18/14, 15, 17

CPC .... A63F 9/06; A63F 9/08; G09B 1/00; G09B  
1/02; G09B 1/06

See application file for complete search history.

(56) **References Cited**

**U.S. PATENT DOCUMENTS**

3,924,326 A \* 12/1975 Di Gaetano ..... A47J 43/26  
30/120.2

D421,452 S \* 3/2000 Pichler ..... D18/15

D444,807 S \* 7/2001 Cheung ..... D18/15

D546,422 S \* 7/2007 Mullenmeister ..... D23/250

D586,844 S \* 2/2009 Shih ..... D18/15

D588,187 S \* 3/2009 Shih ..... D18/15

D607,490 S \* 1/2010 Shih ..... D18/15

D624,117 S \* 9/2010 Voss ..... D18/15

D624,604 S \* 9/2010 Wudtke ..... D21/385  
D665,033 S \* 8/2012 DeSimone ..... D21/385  
D776,174 S \* 1/2017 Summit ..... D15/122  
D777,809 S \* 1/2017 Wu ..... D15/122  
D847,906 S \* 5/2019 Colvin ..... D21/385

(Continued)

**OTHER PUBLICATIONS**

Tomy Grows Arts and Crafts Portfolio, date published Jun. 28, 2021, [site visited Jan. 7, 2022], URL: <https://www.toynews-online.biz/2021/06/28/tomy-grows-arts-and-crafts-portfolio-with-launch-of-mache-magic/> (Year: 2021).\*

(Continued)

*Primary Examiner* — Dana K Weiland

*Assistant Examiner* — Emily Anna Saunders

(74) *Attorney, Agent, or Firm* — Oliff PLC

(57) **CLAIM**

The ornamental design for a toy paper press, as shown and described.

**DESCRIPTION**

FIG. 1 is a front elevational view of the toy paper press, showing the new design;

FIG. 2 is a rear elevational view thereof;

FIG. 3 is a left-side elevational view thereof;

FIG. 4 is a right-side elevational view thereof;

FIG. 5 is a top plan view thereof;

FIG. 6 is a bottom plan view thereof;

FIG. 7 is a front, right-side, top perspective view thereof;

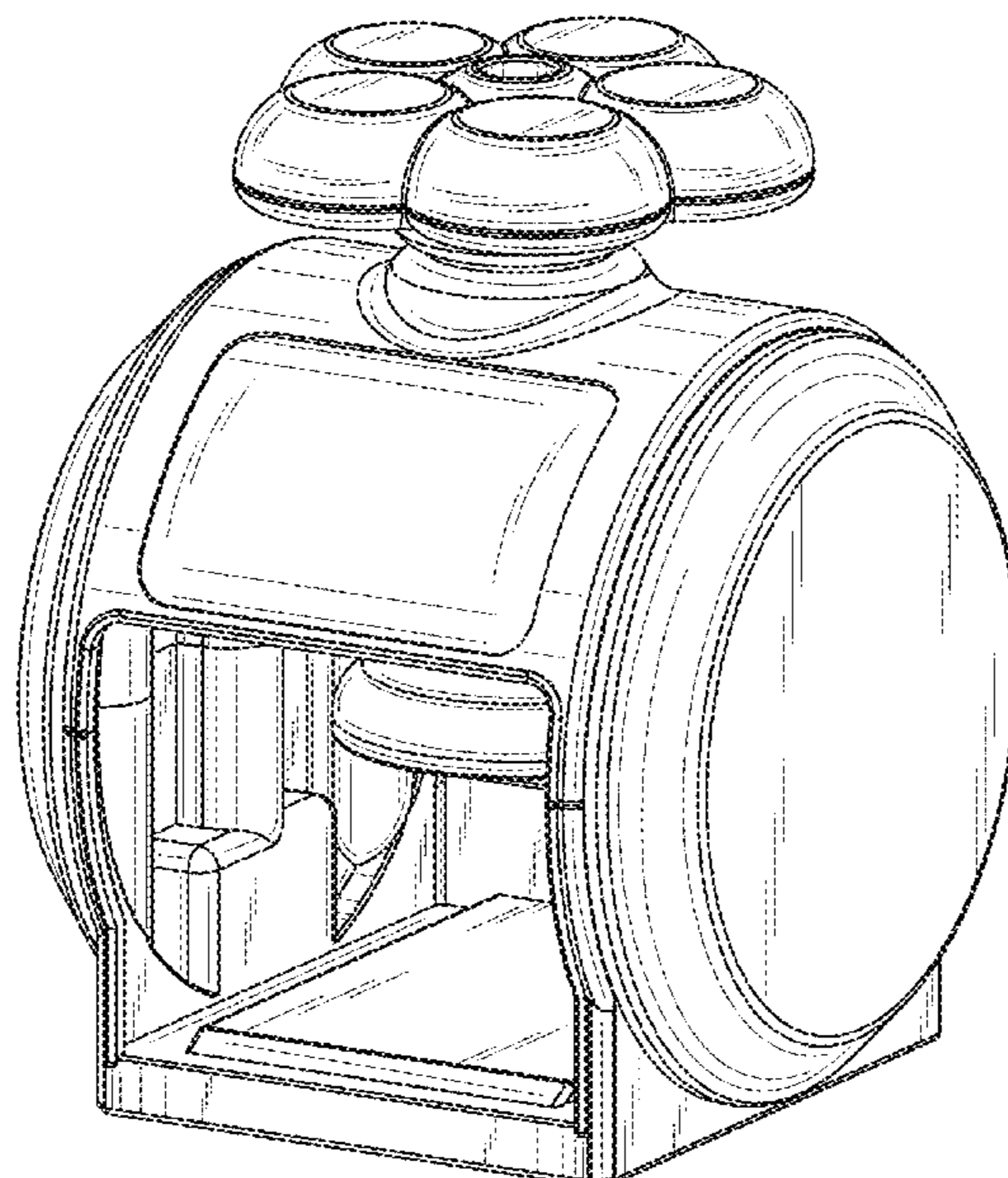
FIG. 8 is a rear, left-side, bottom perspective view thereof;

FIG. 9 is a front elevational cross-sectional view taken along line 9-9 in FIG. 5; and,

FIG. 10 is a front, right-side, top perspective cross-sectional view taken along line 10-10 in FIG. 1.

The broken lines depict parts of the toy paper press that form no part of the claimed design.

**1 Claim, 10 Drawing Sheets**



(56)

**References Cited**

U.S. PATENT DOCUMENTS

D867,410 S \* 11/2019 Du ..... D15/123  
D871,463 S \* 12/2019 Cao ..... D15/122  
D886,206 S \* 6/2020 Colvin ..... D21/385  
11,104,168 B2 \* 8/2021 Sillipp ..... B41K 3/56

OTHER PUBLICATIONS

Mache Magic From Tomy, available on YouTube, date posted Jun. 30, 2021, [site visited Jan. 7, 2022], URL: <https://www.youtube.com/watch?v=eOYB16iv0HM> (Year: 2021).\*

Tomy Mache Magic, available on [ukdealsandgiveaways.co.uk](https://www.ukdealsandgiveaways.co.uk), published Nov. 7, 2021, [site visited Jan. 7, 2022], URL: <https://www.ukdealsandgiveaways.co.uk/tomy-t12365I3-mache-magic-creative-play-diy-kids-arts-and-craft-painting-kit-25-off-14-99-amazon/> (Year: 2021).\*

Mache Magic, available on Amazon.com, [site visited Jan. 7, 2022], URL: <https://www.amazon.com/stores/TOMYToys/MacheMagic/page/66449FC5-A58B-4513-A7DA-B239D32AA87E> (Year: 2022).\*

Tomy Mache Magic Craft Kit, available on Amazon.com, release date Jul. 1, 2021, [site visited Jan. 7, 2022], URL: <https://www.amazon.com/Mach%C3%A9-Magic-Craft-Creative-Crafts/dp/B094DGR5W4/> (Year: 2021).\*

Toy Printing Press, available on [thingiverse.com](https://www.thingiverse.com), uploaded May 4, 2019, [site visited Jan. 7, 2022], URL: <https://www.thingiverse.com/make:650951> (Year: 2019).\*

\* cited by examiner

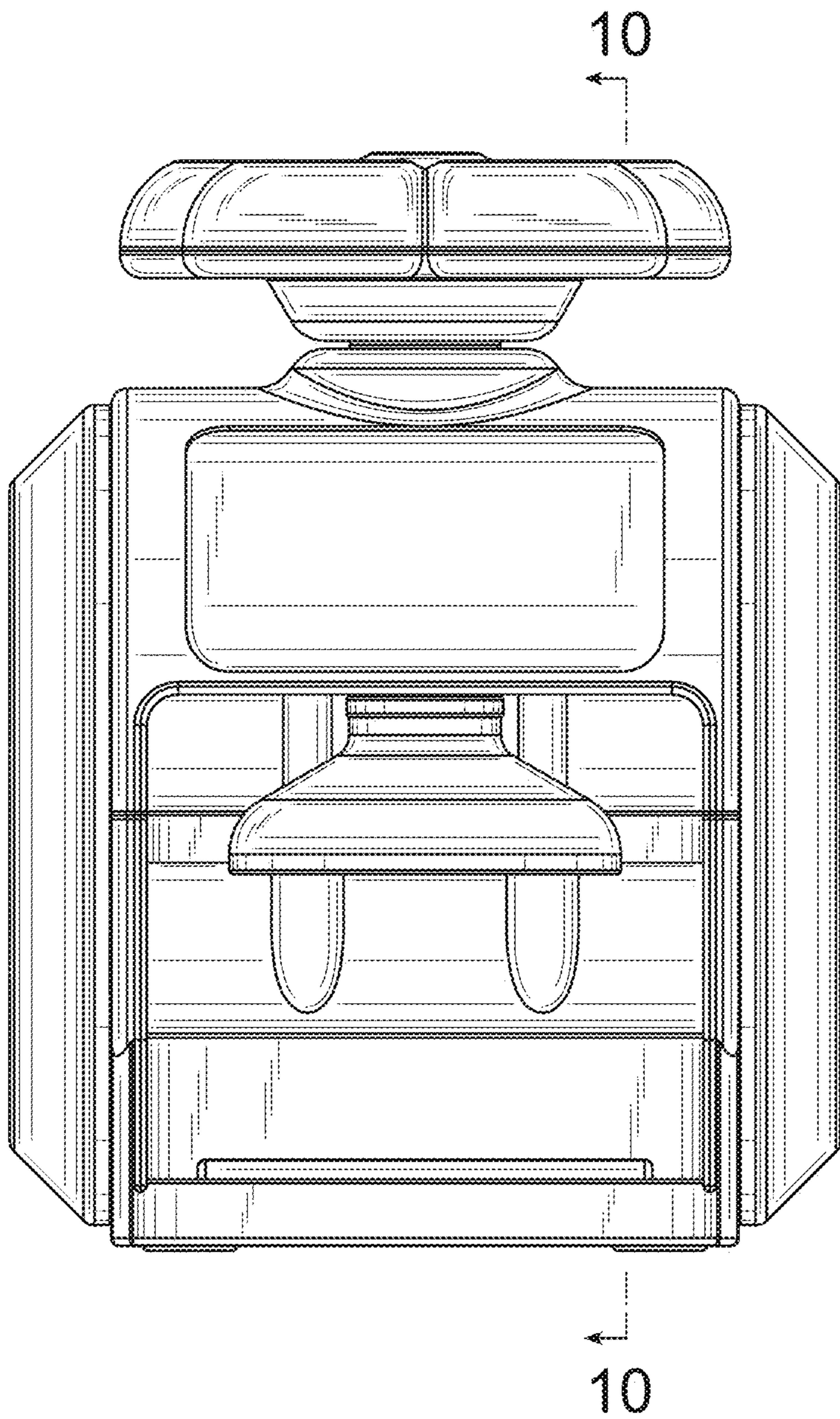


FIG. 1



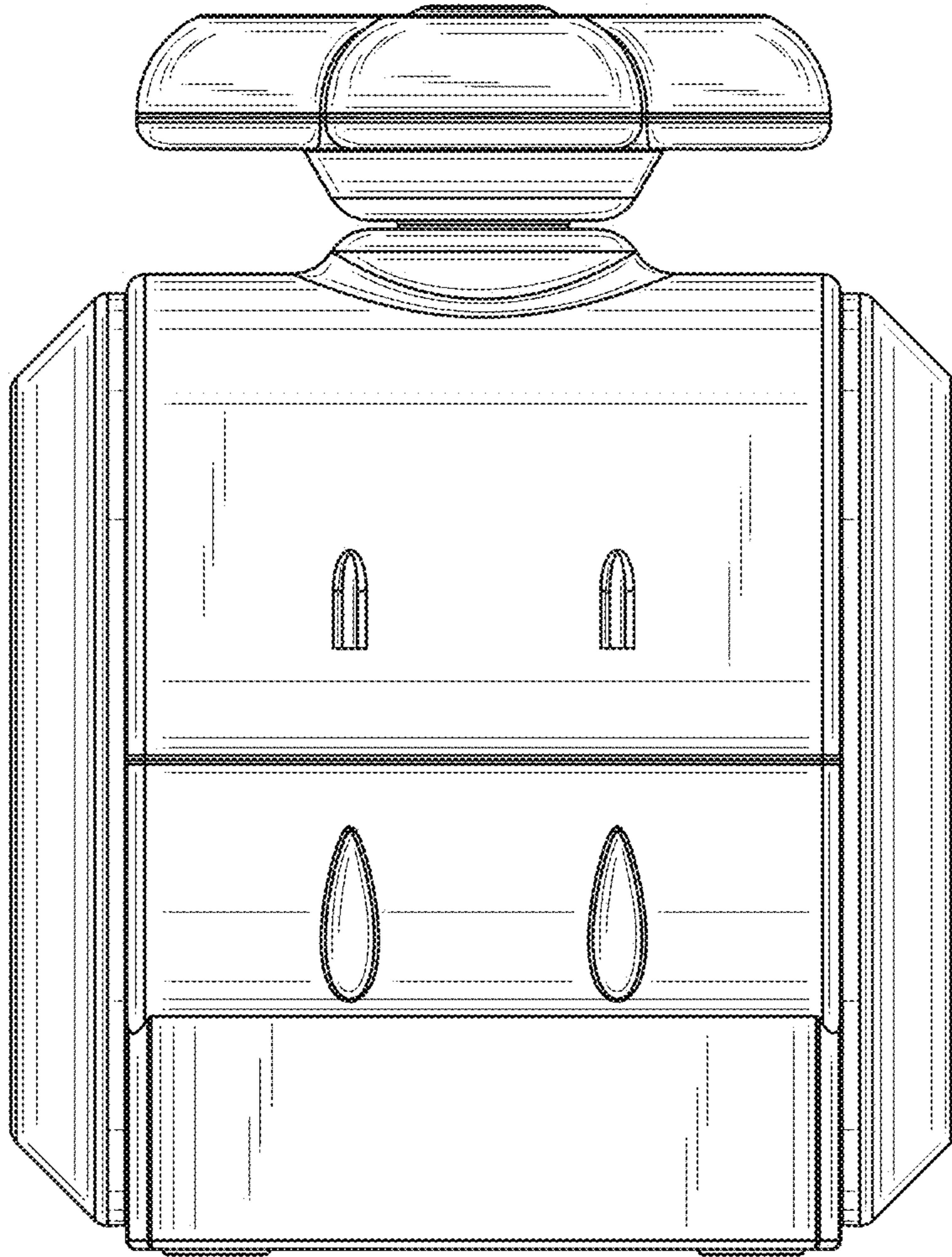


FIG. 2

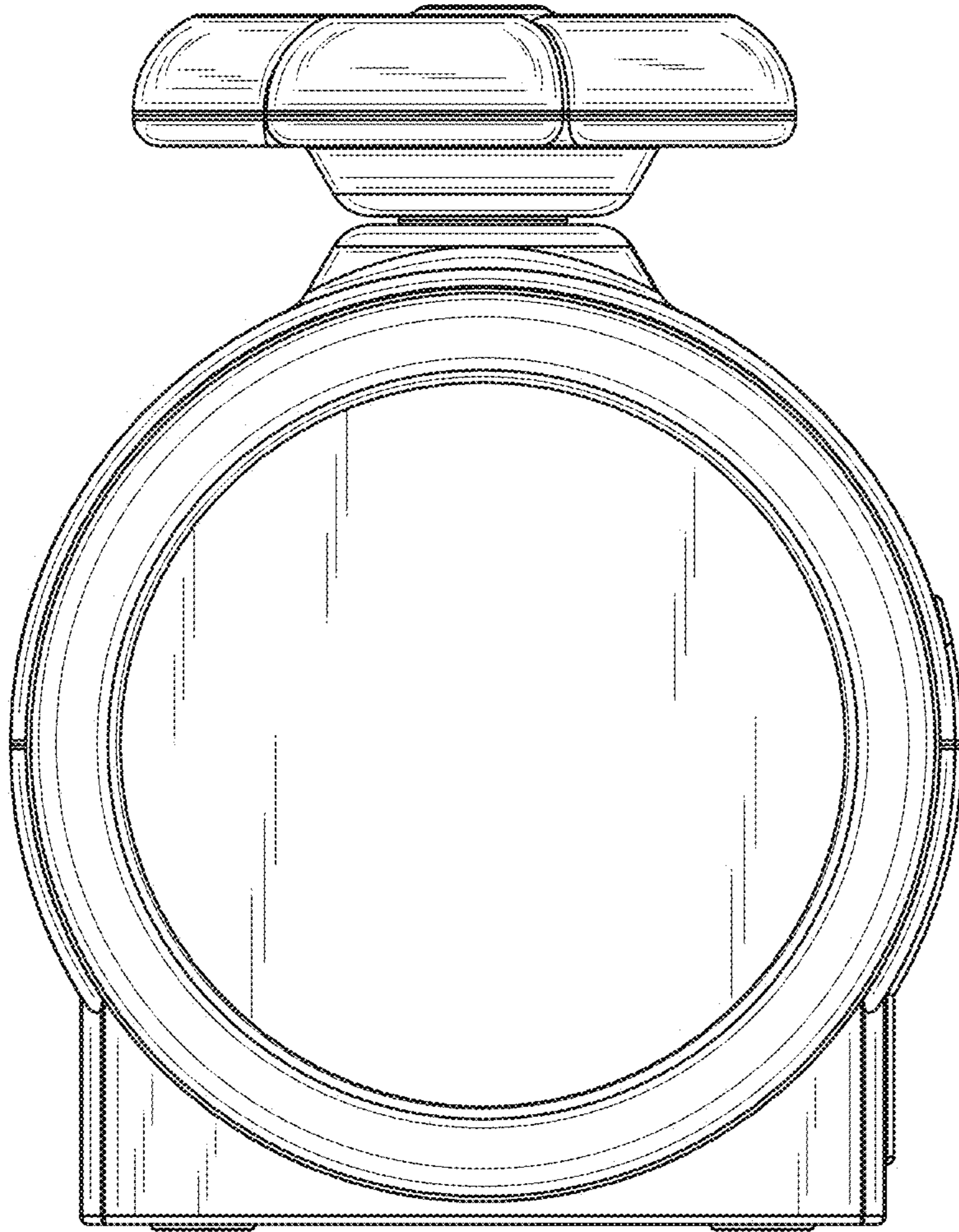


FIG. 3

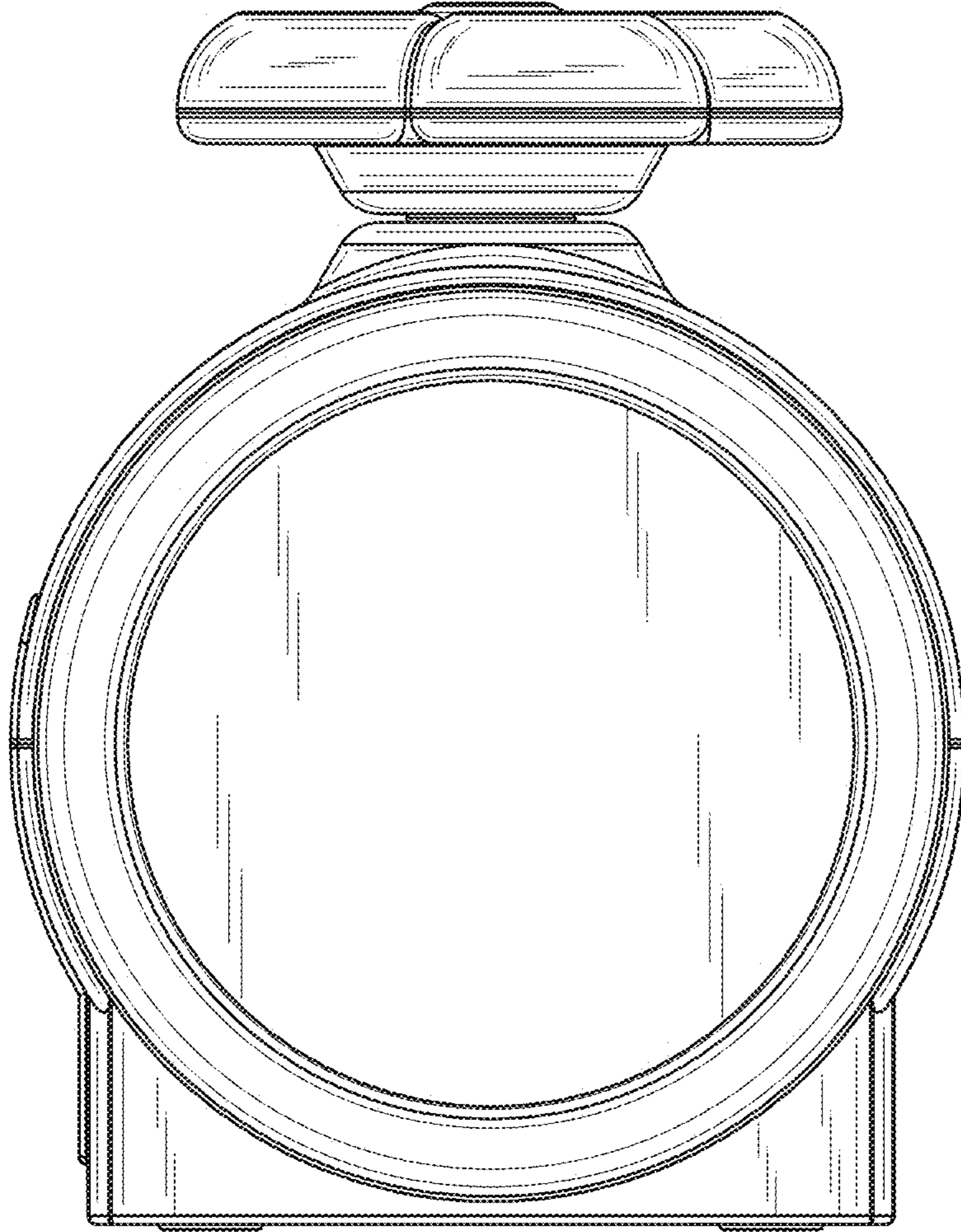


FIG. 4

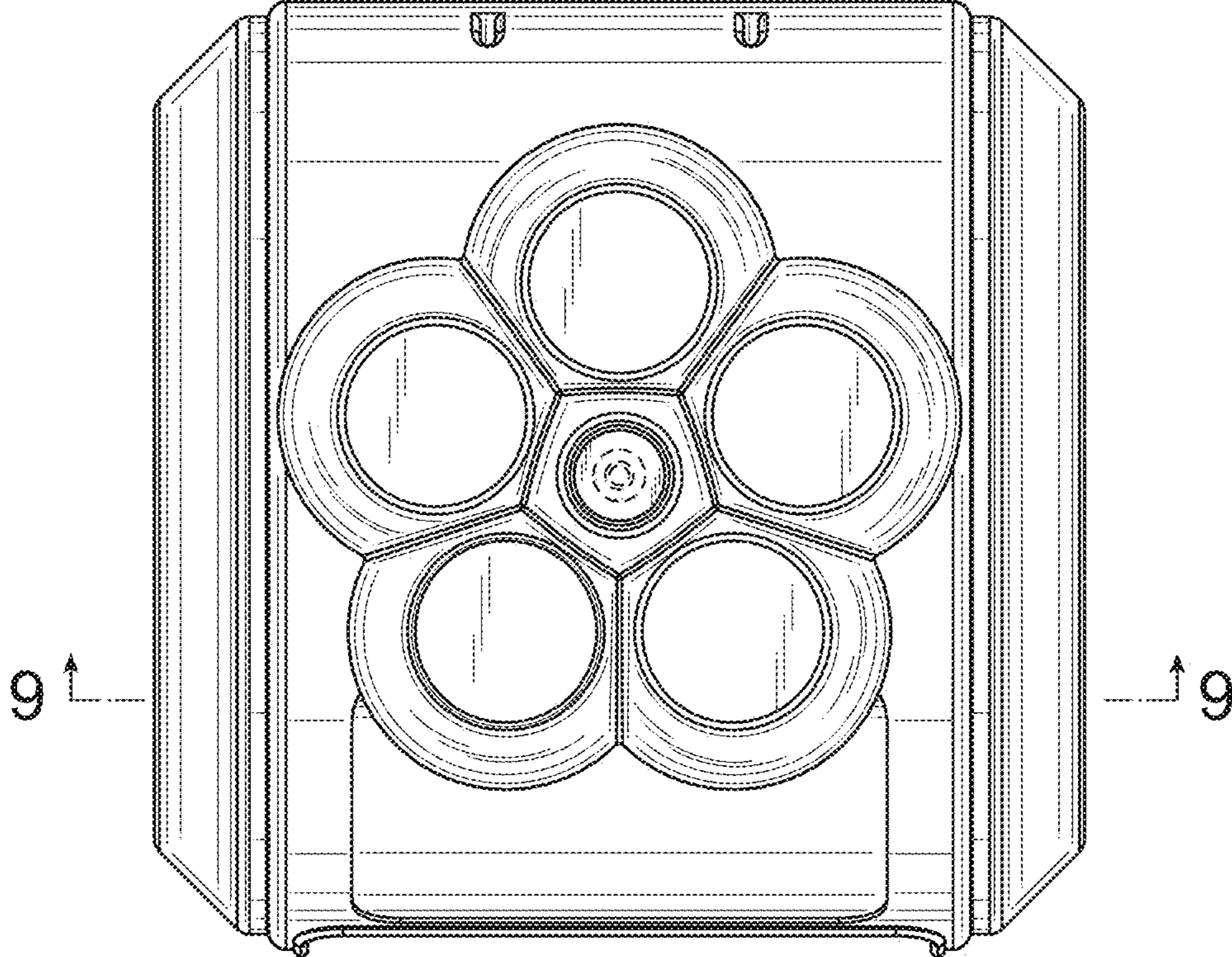


FIG. 5



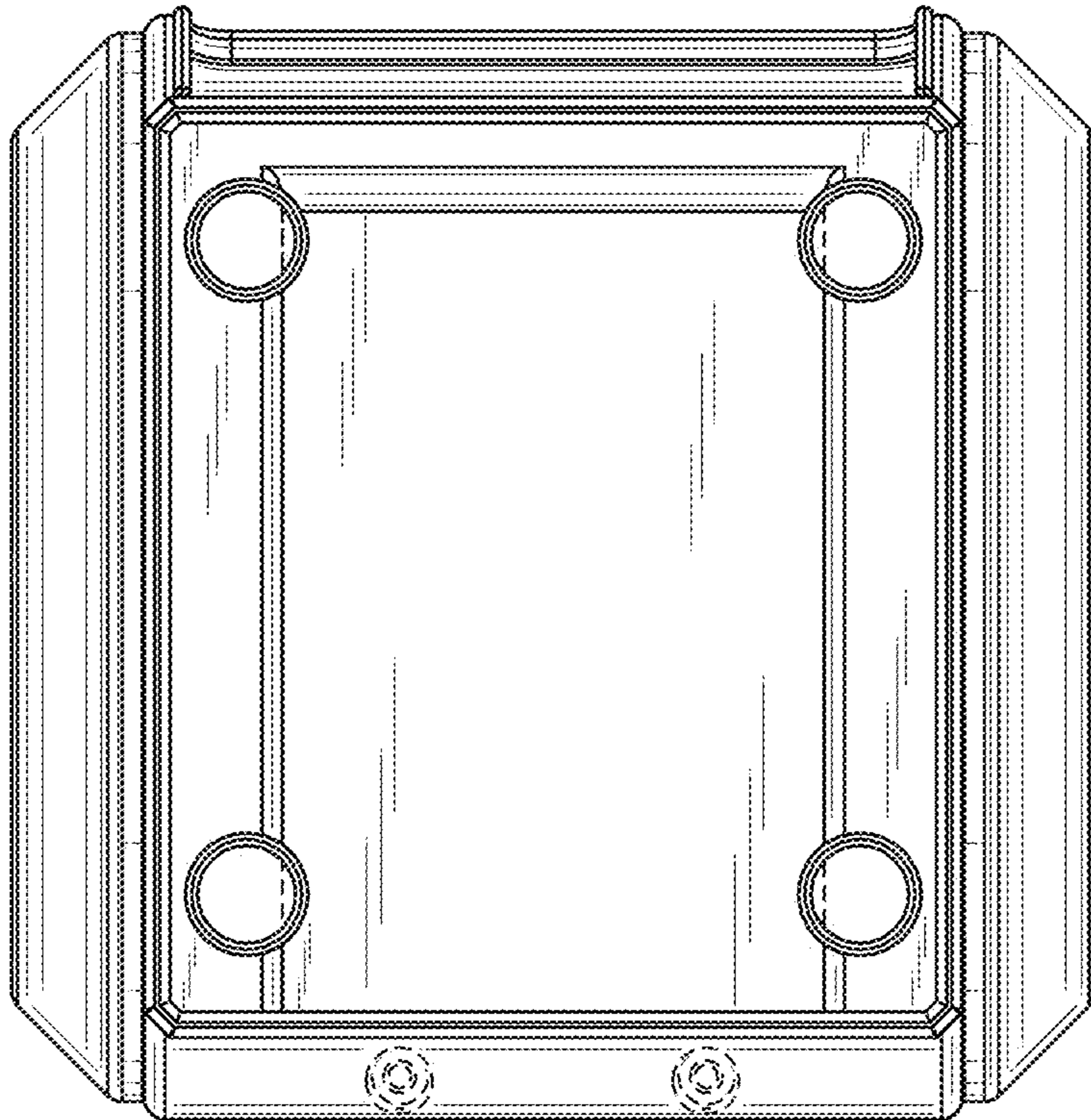


FIG. 6



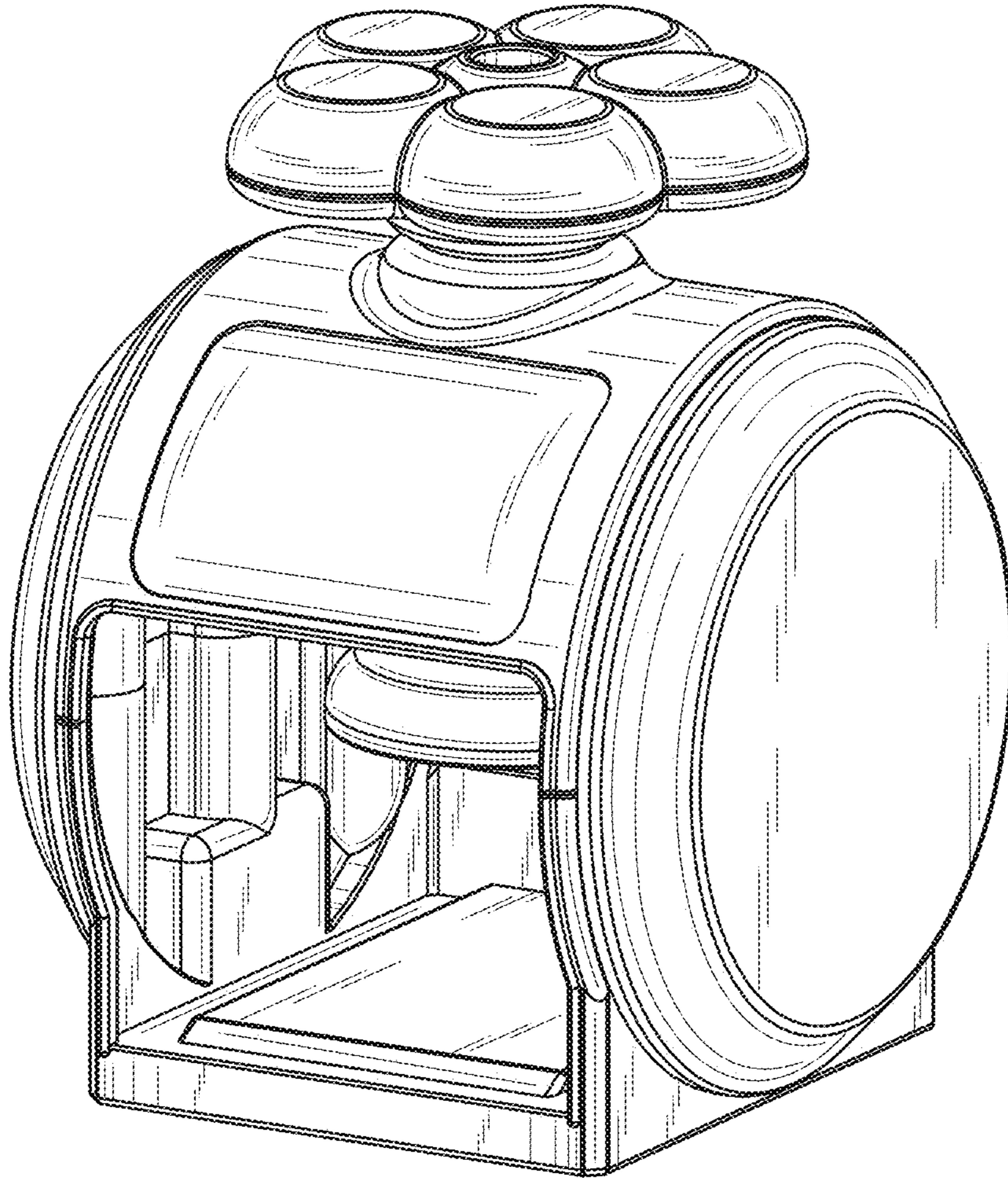


FIG. 7

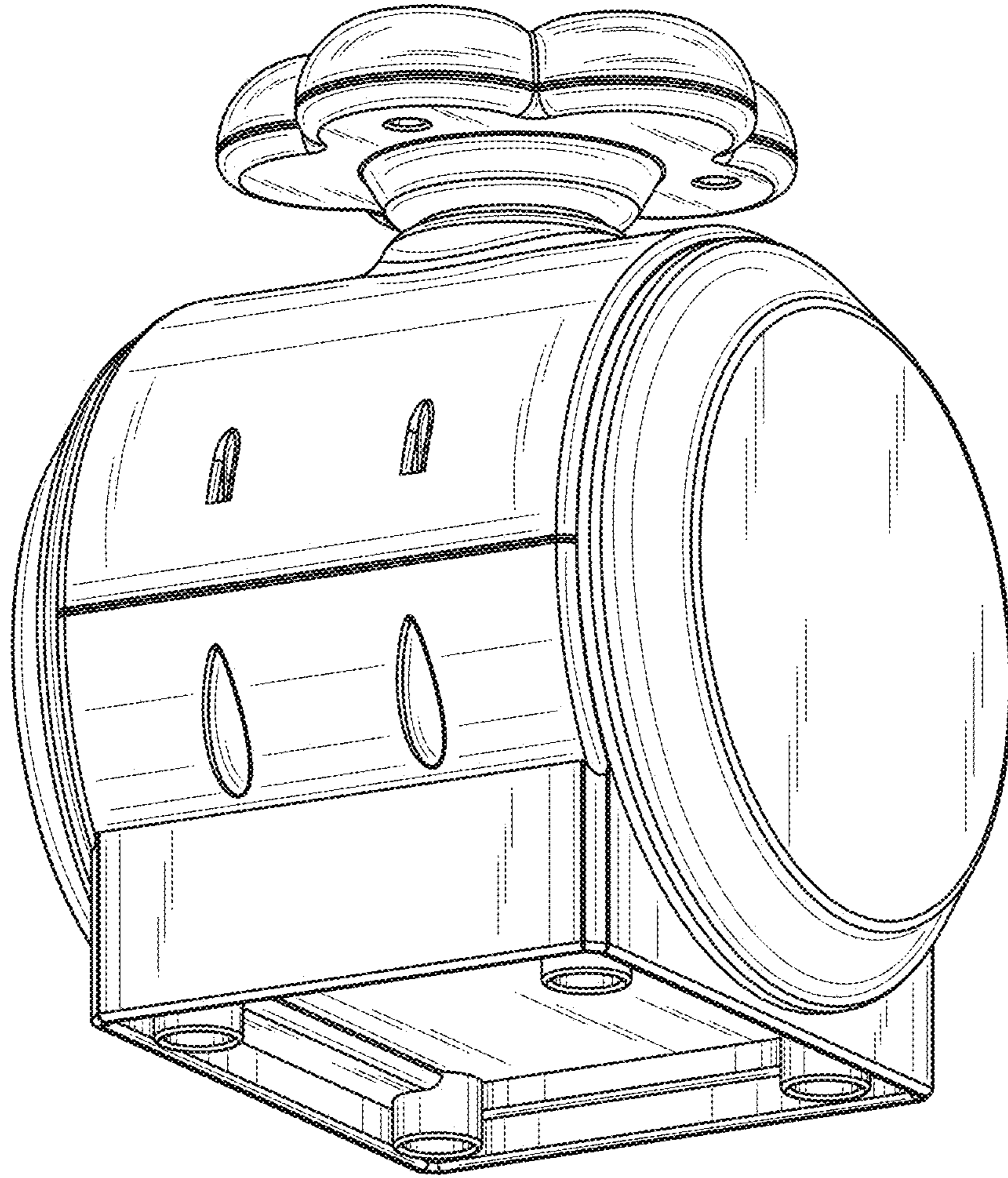


FIG. 8

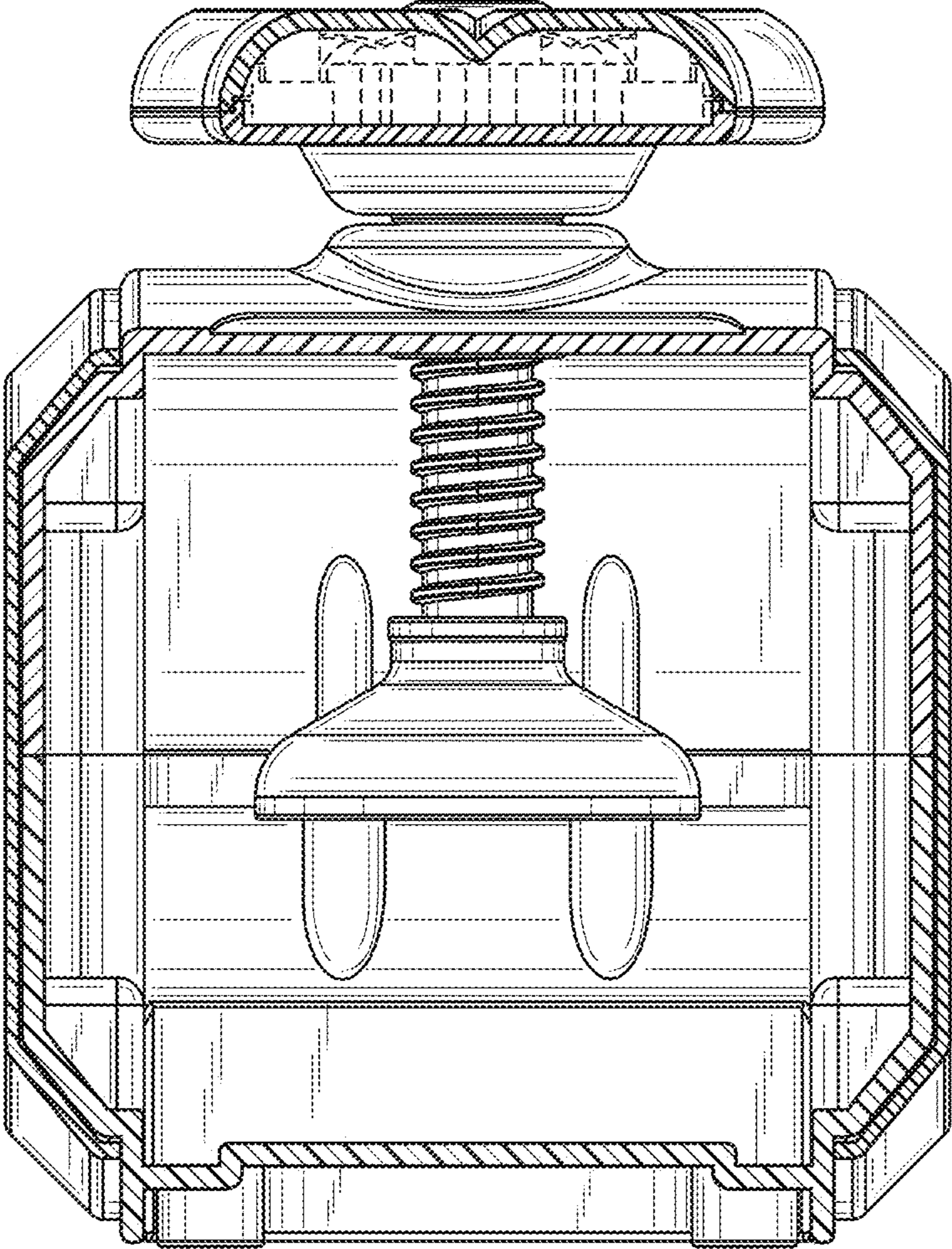


FIG. 9



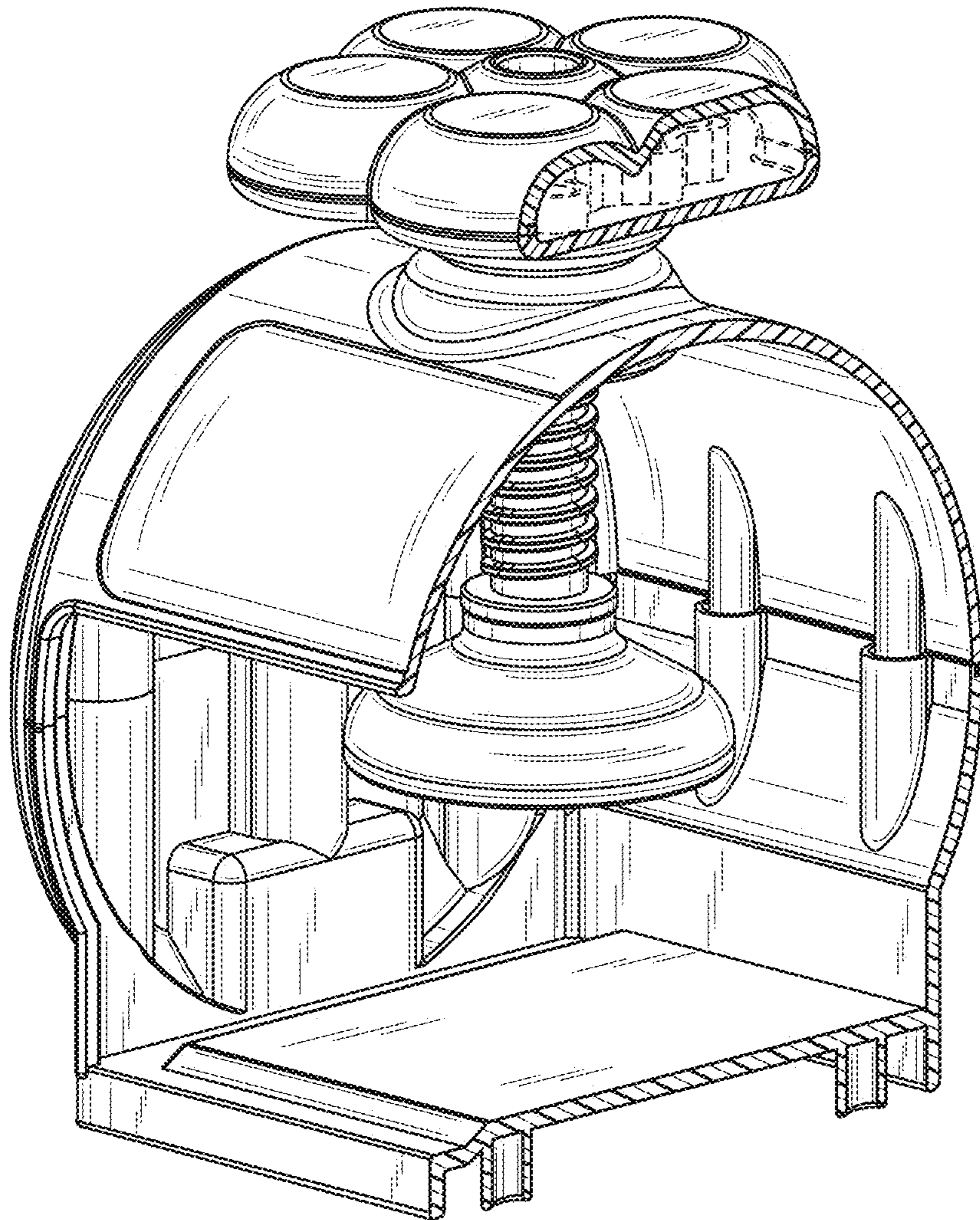


FIG. 10