



US00D968517S

(12) **United States Design Patent** (10) **Patent No.:** **US D968,517 S**  
**Zeng** (45) **Date of Patent:** **\*\* Nov. 1, 2022**

(54) **GAME BOX**

434/433, 258, 334, 81, 128, 236, 345,  
434/347, 365, 3, 67, 368, 393, 402, 403,  
434/429, 430; D7/610, 558; 108/94,  
(Continued)

(71) Applicant: **Shenzhen Nanke Trading Co., Ltd.**,  
Guangdong (CN)

(72) Inventor: **Guangbiao Zeng**, Guangdong (CN)

(56) **References Cited**

(73) Assignee: **Shenzhen Nanke Trading Co., Ltd.**,  
Guangdong (CN)

U.S. PATENT DOCUMENTS

(\*\*) Term: **15 Years**

4,421,315 A \* 12/1983 Cutler ..... A63F 9/0402  
273/272  
4,984,797 A \* 1/1991 Norsworthy ..... A63F 9/0406  
273/145 C

(21) Appl. No.: **29/786,557**

(Continued)

(22) Filed: **Jun. 1, 2021**

*Primary Examiner* — Susan Moon Lee

(51) **LOC (13) Cl.** ..... **21-01**

(74) *Attorney, Agent, or Firm* — ScienBiziP, P.C.

(52) **U.S. Cl.**

(57) **CLAIM**

USPC ..... **D21/385**; D21/300; D21/393

The ornamental design for a game box, as shown and described.

(58) **Field of Classification Search**

**DESCRIPTION**

USPC ..... D21/303, 336, 337, 499, 338, 341, 342,  
D21/310, 311, 300, 362, 385, 386, 388,  
D21/389, 393, 398, 399, 401, 404, 405,  
D21/455, 456, 468, 470, 471, 473, 474,  
D21/475, 476, 478, 479, 483–488, 506,  
D21/507, 510, 589, 789, 790, 796, 811,  
D21/812, 821, 826, 830, 360, 349, 301,  
D21/302, 469; 273/336, 337, 376, 398,  
273/401, 407, 110, 112, 113, 118 R,  
273/123 R, 236, 241, 248, 249, 280, 289,  
273/290, 153 R–156, 153 P, 153 S, 447,  
273/449, 450, 459, 142 HA, 271, 242,  
273/281, 282.1–282.3, 283–288, 264,  
273/344, 276, 272, 267, 261, 309, 260,  
273/239, 244, 161, 429, 157 R, 146, 273,  
273/277, 145 C, 440; 446/69, 71, 75, 76,  
446/81, 85, 87, 117, 118, 124, 125, 127,  
446/236, 248, 249, 251, 252, 265, 396,  
446/476, 486, 487, 489, 491, 901, 1, 5, 8,  
446/10, 13, 91, 227, 310; 434/208, 259,

FIG. 1 is a front, right, and top perspective view of a game box, wherein covers of the game box are expanded, showing my design.

FIG. 2 is a rear, left, and bottom perspective view thereof.

FIG. 3 is a front elevation view thereof.

FIG. 4 is a rear elevation view thereof.

FIG. 5 is a left side elevation view thereof.

FIG. 6 is a right side elevation view thereof.

FIG. 7 is a top plan view thereof.

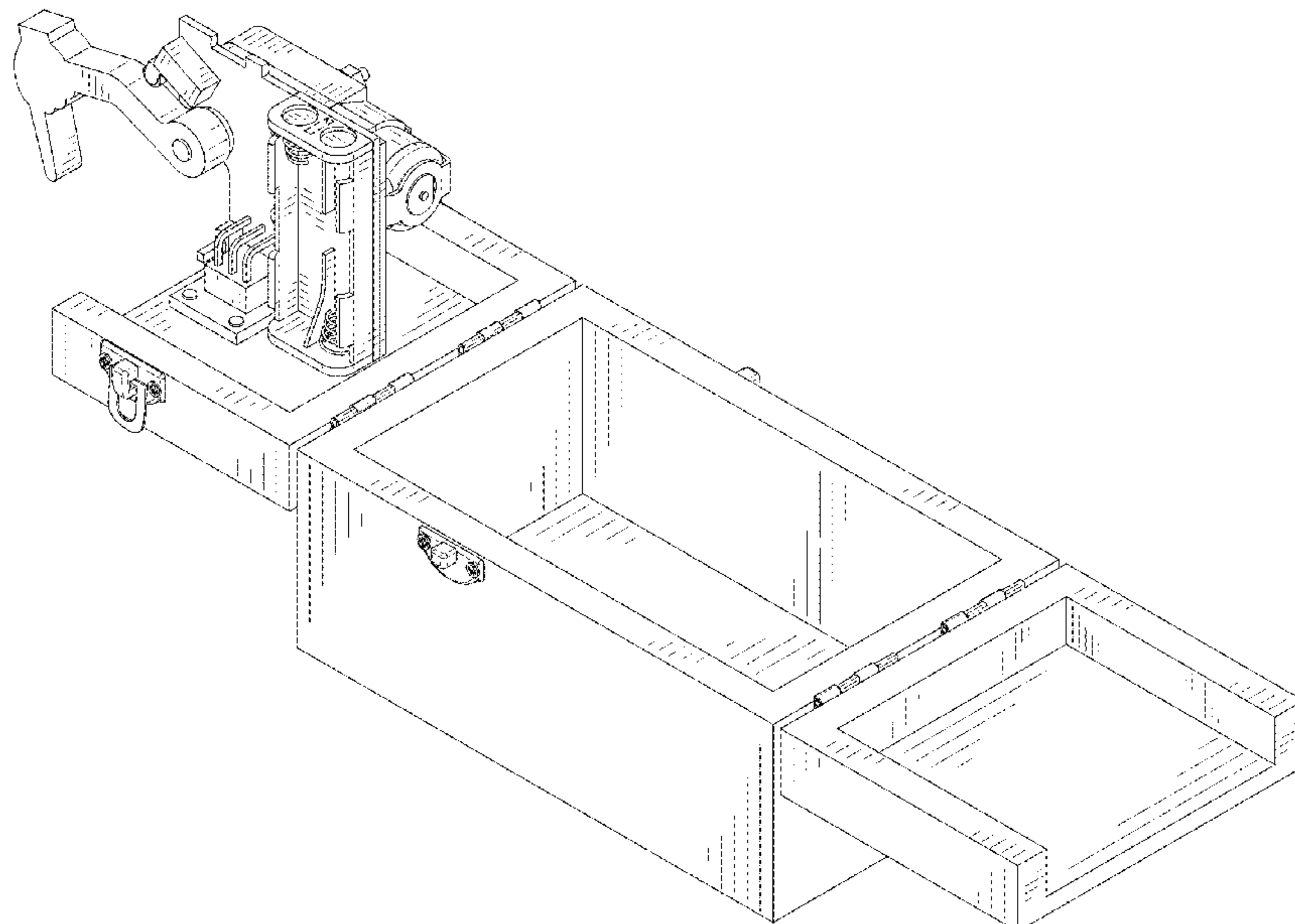
FIG. 8 is a bottom plan view thereof.

FIG. 9 is a front, right, and top perspective view of the game box, wherein covers are fastened on the game box; and,

FIG. 10 is a partial enlarged view of the area labeled '10' in FIG. 2, depicting an interior component of the game box.

The broken lines shown in the drawings are included for the purpose of illustrating portions of the game box that form no part of the claimed design.

**1 Claim, 10 Drawing Sheets**



(58) **Field of Classification Search**

USPC ..... 108/101, 92, 42; 211/188; 463/10, 9, 48, 463/49; D6/678.1, 675.1; 84/470 R, 476; D9/414, 418, 432, 668; 206/315.9, 315.1, 206/780, 782; D19/60, 59, 64, 63  
CPC ..... A63F 3/00003; A63F 3/00082; A63F 3/00088; A63F 3/00173; A63F 3/00214; A63F 3/00261; A63F 3/00529; A63F 3/00533; A63F 3/00574; A63F 3/00634; A63F 2003/00217; A63F 2003/0022; A63F 2003/00223; A63F 2003/00; A63F 2003/00268; A63F 2003/00277; A63F 2003/0028; A63F 2003/0035; A63F 2003/004; A63F 2003/00403; A63F 2003/00406; A63F 2003/00514; A63F 2003/00599; A63F 2003/00637; A63F 7/0023; A63F 7/0076; A63F 7/02; A63F 7/36; A63F 7/3622; A63F 2007/3655; A63F 2007/3659; A63F 2007/3666; A63F 9/001; A63F 9/0073; A63F 9/0613; A63F 9/08; A63F 9/0803; A63F 9/0811; A63F 2009/0846; A63F 2009/0884; A63F 2009/1212; A63F 2009/1216; A63F 2009/1224; A63F 2009/1228; A63F 2009/1236; A63F 2009/1248; A63F 2009/1292; A63F 2009/1296; A63F 2009/0012; A63F 2009/002; A63F 2009/0033; A63F 2009/0035; A63F 2009/0049; A63F 2009/007; A63F 2009/0073; A63F 2009/0075; A63F 2009/0815; A63F 3/02; A63F 3/0023; A63F 3/0423; A63F 3/00094; A63F

2003/00359; A63F 2003/00287; A63F 2003/00227; A63F 2003/00943; A63F 2003/00962; A63F 2011/0032; A63F 9/0204; A63F 9/06; A63F 9/0604; A63F 9/30; A63F 11/00; A63F 3/00895; A63H 15/06; A63H 33/04; A63H 33/046; A63H 33/06; A63H 33/065; A63H 33/00; A63B 43/00; A63B 67/002; A63B 67/066; A63B 67/06; A63B 71/00; A63B 71/0036; A63B 2067/061; A63B 63/00; A63B 63/003; A63B 63/08; A63B 9/00; A63B 9/001; A63B 9/0073; A63B 9/0096; A63B 2063/001; A63B 2063/002; A63B 2009/0007; A63B 2009/0012; A63B 2009/0033; A63B 2009/0035; A63B 2009/0049; A63B 2009/0056; A63B 69/00; G09B 19/22; G09B 1/02; G09B 1/36; G09B 1/40; G09B 1/04; G09B 1/06; G09B 1/10; G09B 1/30; G09B 21/003; A47B 25/00

See application file for complete search history.

(56)

**References Cited**

U.S. PATENT DOCUMENTS

7,758,050 B2 \* 7/2010 Denoual ..... A63F 3/00 273/393  
D772,057 S 11/2016 Adams et al.  
D855,109 S 7/2019 Cao  
2013/0003297 A1 \* 1/2013 Du-Henson ..... H02G 3/081 361/679.01

\* cited by examiner

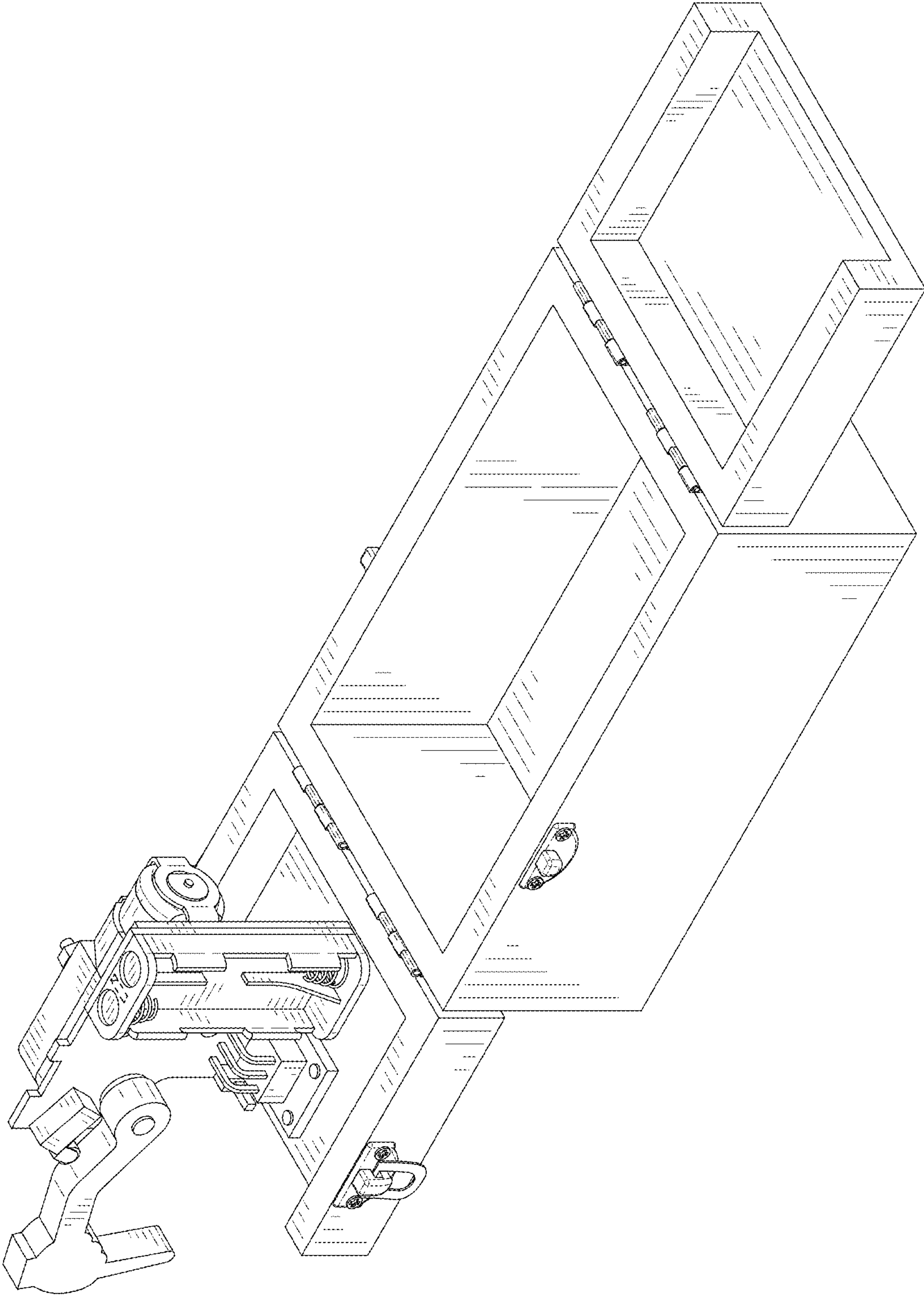


FIG. 1



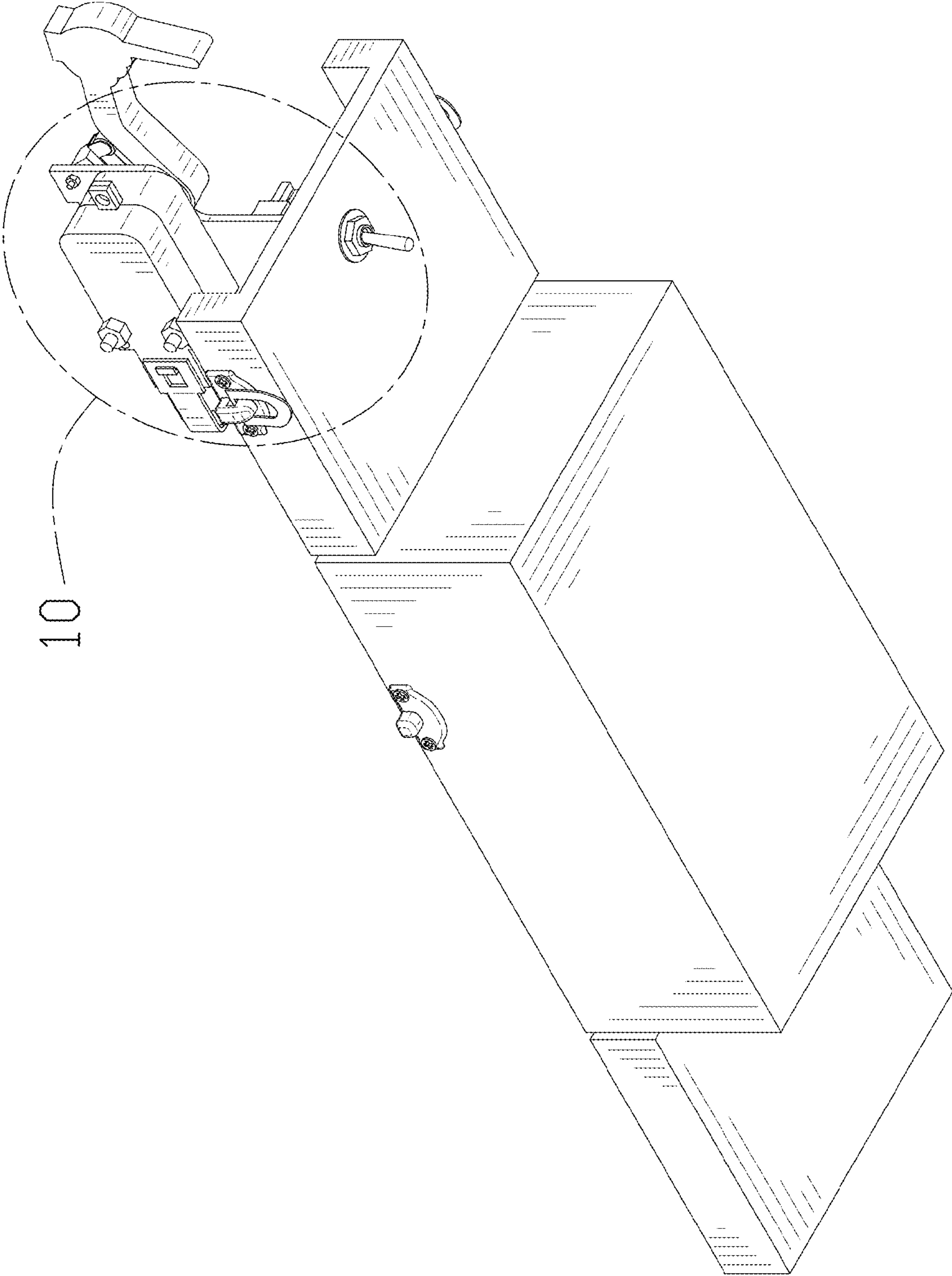


FIG. 2

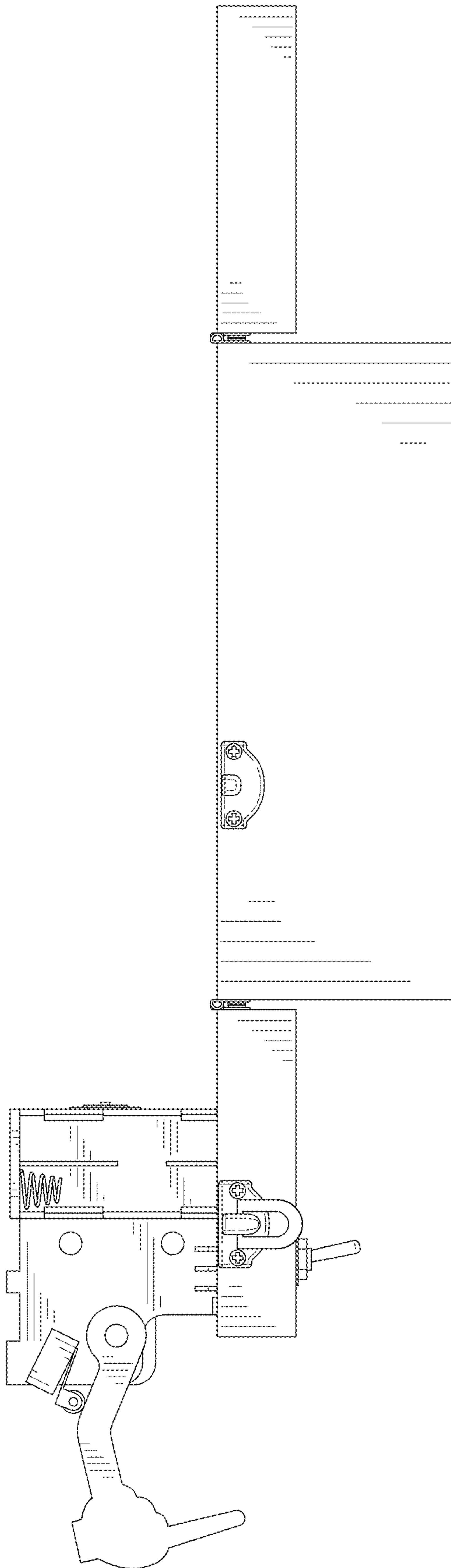


FIG. 3

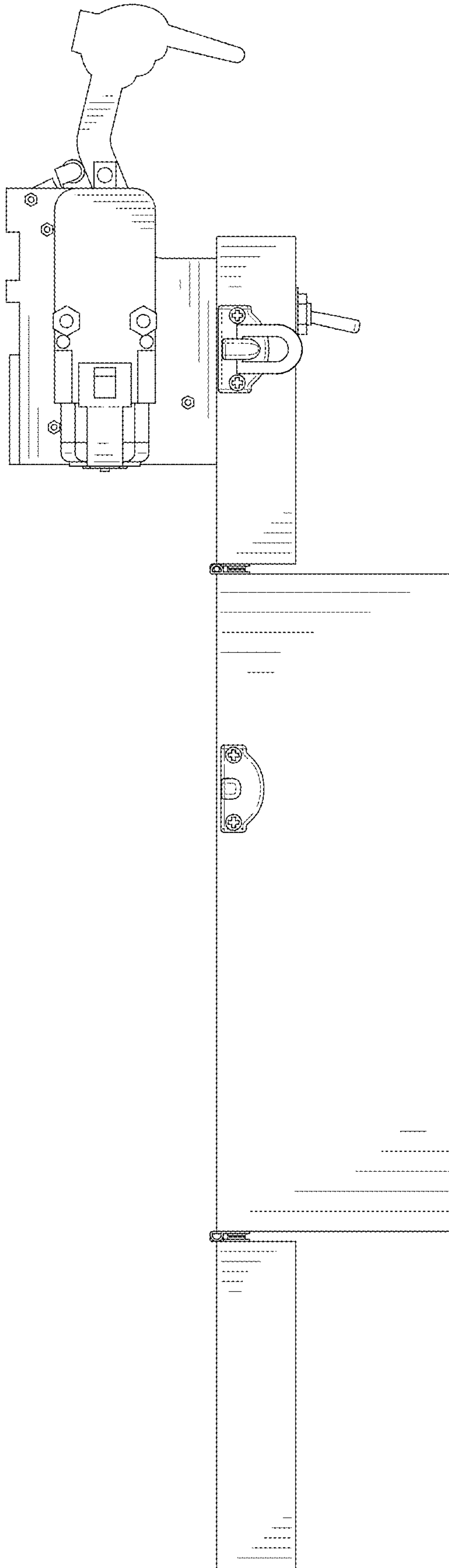


FIG. 4

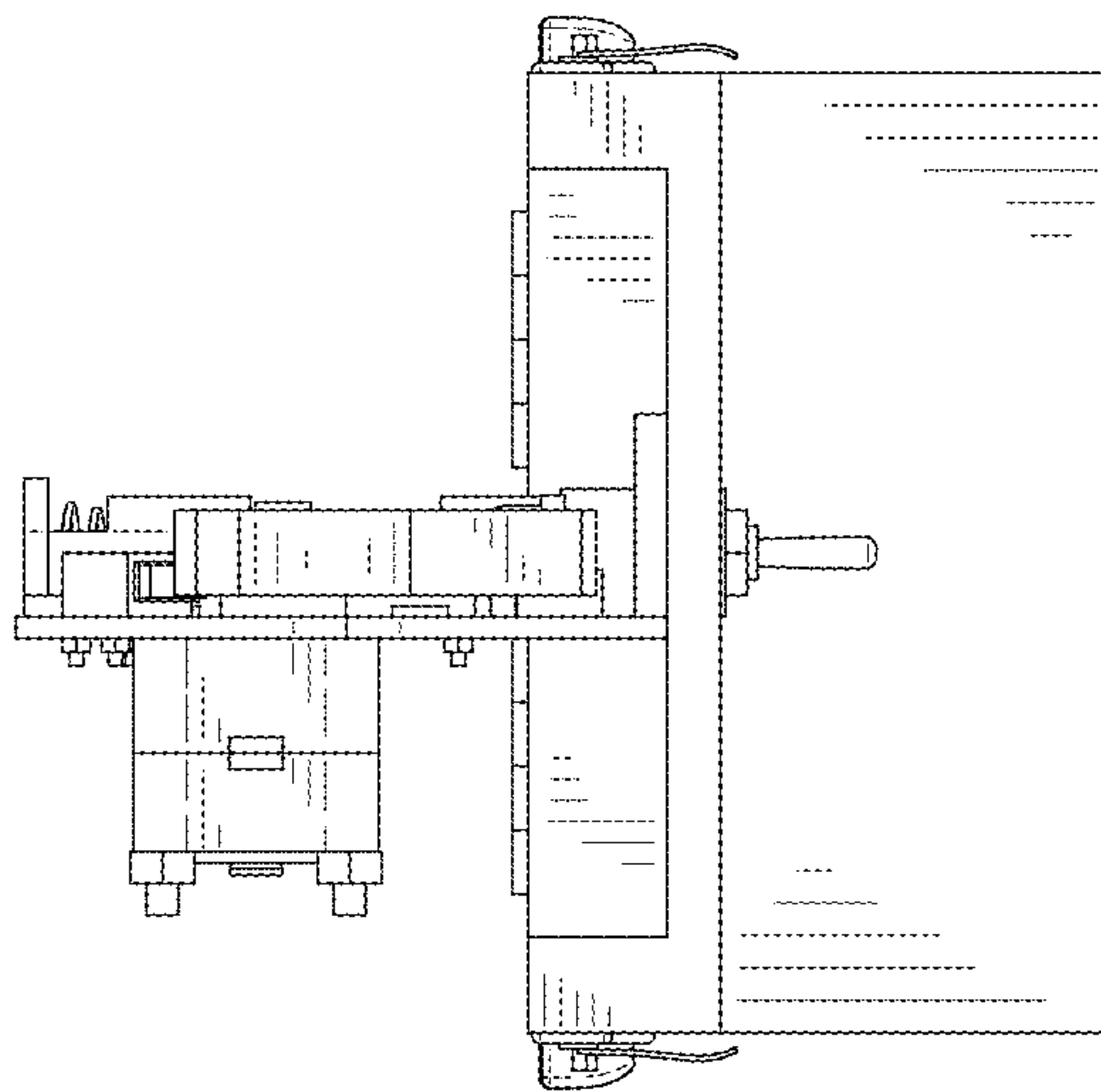


FIG. 5

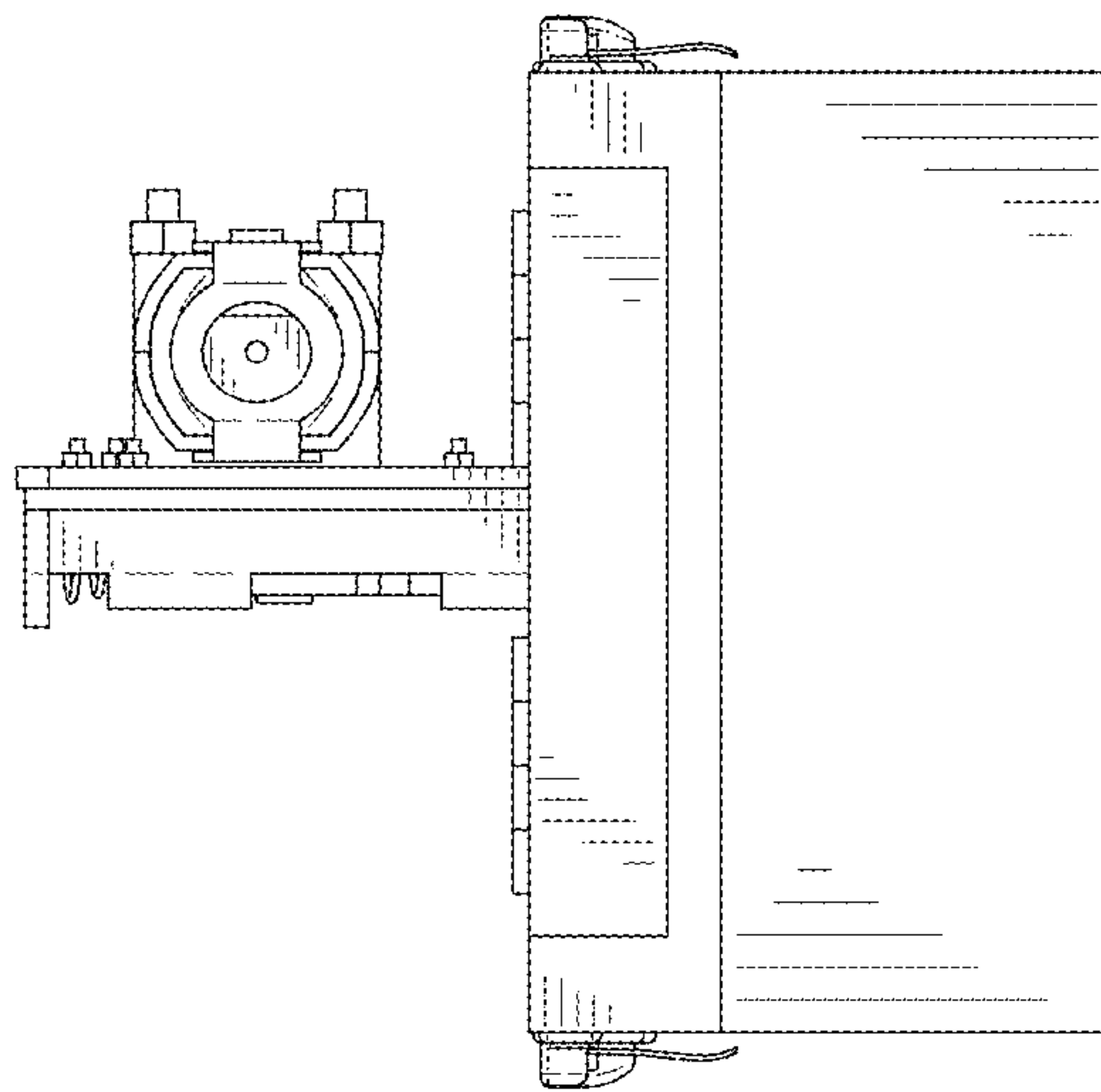


FIG. 6



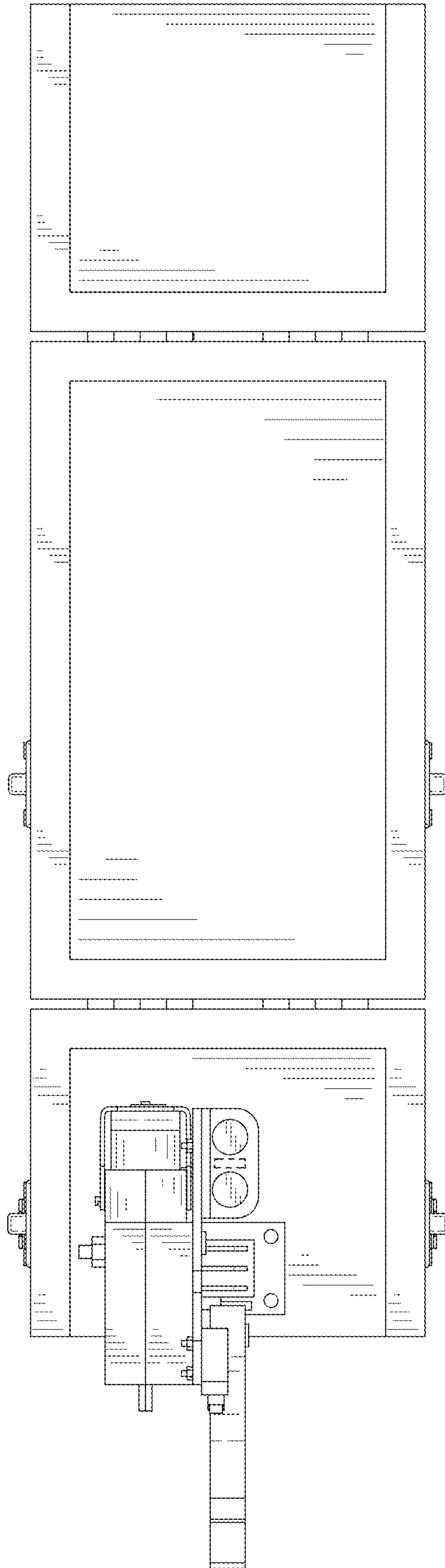


FIG. 7

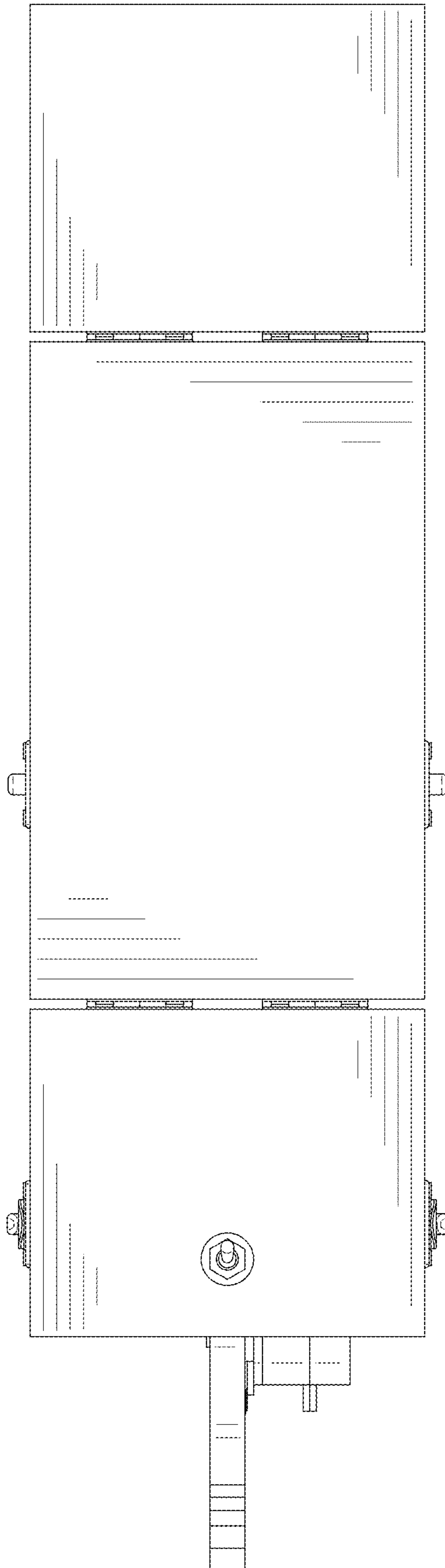


FIG. 8

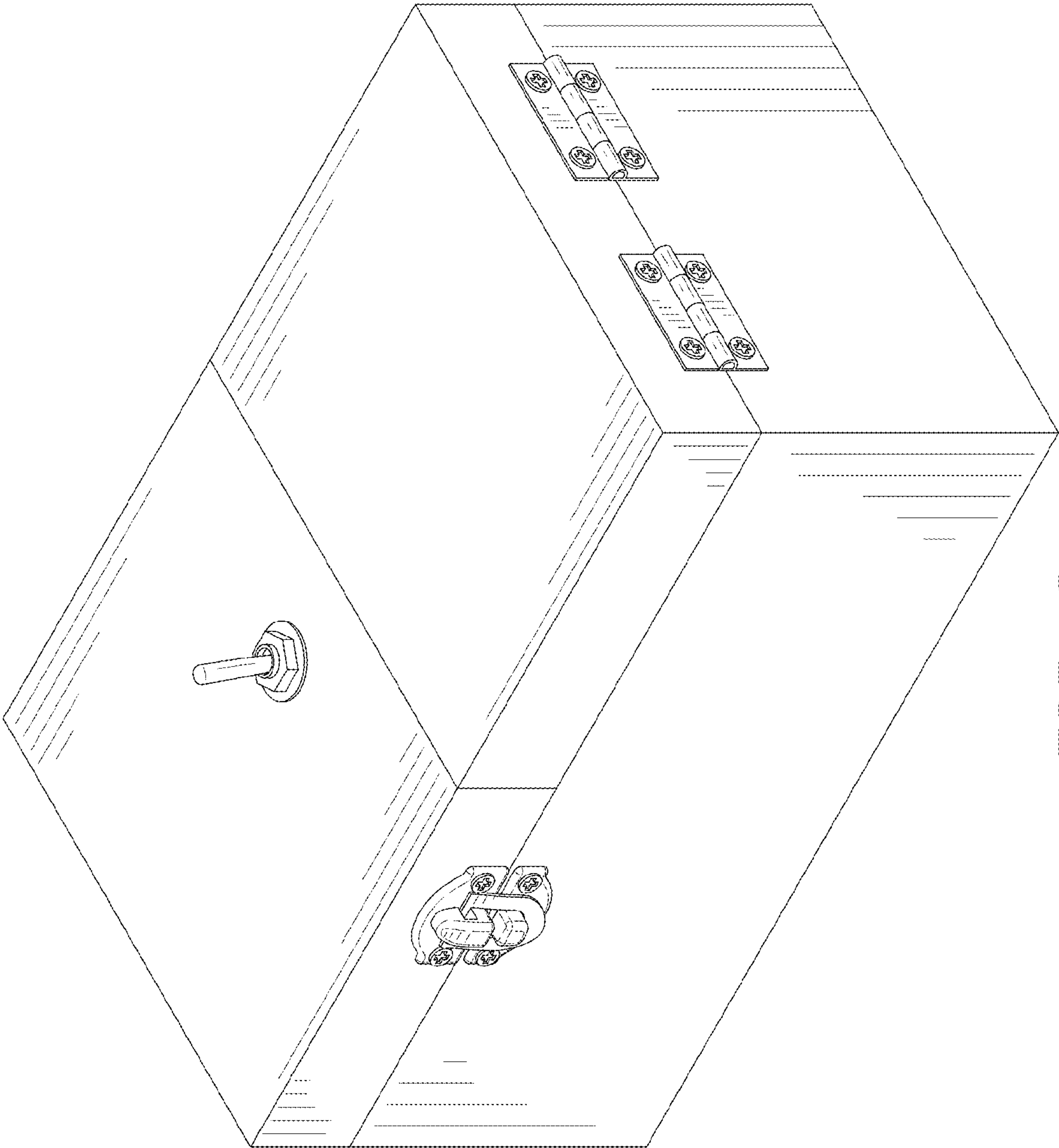


FIG. 9

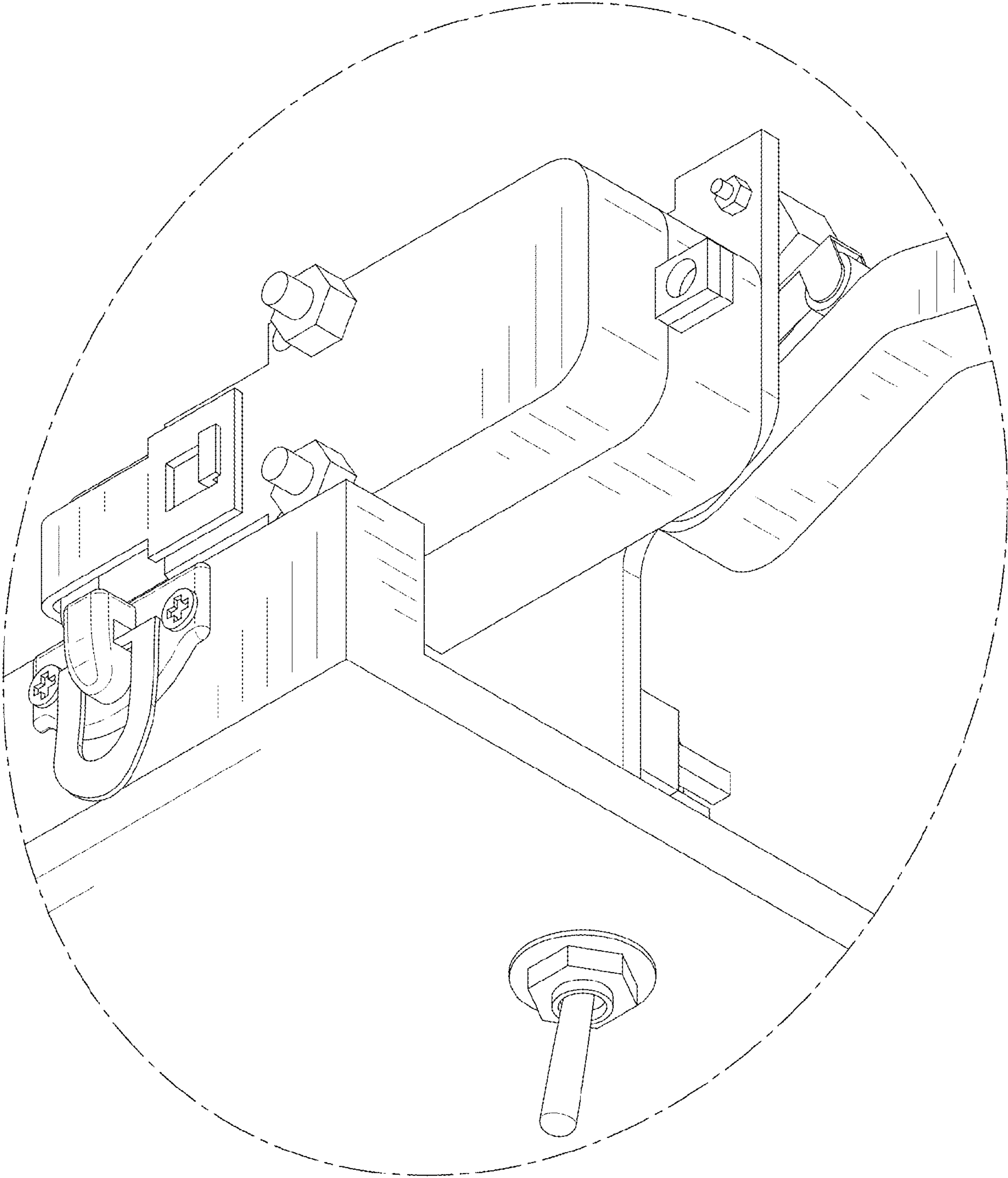


FIG. 10