



US00D968515S

(12) **United States Design Patent** (10) **Patent No.:** **US D968,515 S**  
**Feng** (45) **Date of Patent:** **\*\* Nov. 1, 2022**

(54) **GAME CONTROLLER ACCESSORY**

(71) Applicant: **Gaoyong Feng, Xinyi (CN)**

(72) Inventor: **Gaoyong Feng, Xinyi (CN)**

(\*\*) Term: **15 Years**

(21) Appl. No.: **29/842,777**

(22) Filed: **Jun. 15, 2022**

(30) **Foreign Application Priority Data**

May 5, 2022 (CN) ..... 202230259503.6

(51) **LOC (13) Cl.** ..... **21-01**

(52) **U.S. Cl.**  
USPC ..... **D21/333**

(58) **Field of Classification Search**  
USPC ..... D21/324, 332-337, 566, 572-574, 328;  
D14/217, 218, 356, 387, 388, 389, 400,  
D14/401, 415, 418, 426-431, 443, 447,  
D14/449, 450, 454, 455, 471, 474, 483,  
D14/496, 511; D13/164, 168; D30/159;  
D9/611, 756; D26/67, 73

CPC .. A63F 9/02; A63F 9/24; A63F 9/0291; A63F  
9/0252; A63F 13/00; A63F 13/23; A63F  
13/24; A63F 13/26; A63F 13/98; A63F  
13/02; A63F 13/12; A63F 9/00; A63F  
2300/00; A63F 2300/1031

See application file for complete search history.

(56) **References Cited**

U.S. PATENT DOCUMENTS

D638,478 S 5/2011 Block  
D653,292 S 1/2012 Kotkin et al.  
D654,245 S \* 2/2012 School ..... D99/5  
D810,202 S \* 2/2018 Foster ..... D14/401  
9,895,606 B1 \* 2/2018 Kamata ..... A63F 13/235  
D815,211 S \* 4/2018 Buller ..... D21/333  
D819,642 S \* 6/2018 Ehara ..... D14/401

D819,696 S \* 6/2018 Ehara ..... D14/203.7  
D863,448 S \* 10/2019 Ehara ..... D21/333  
D870,207 S \* 12/2019 Ali ..... D21/333  
D875,178 S \* 2/2020 Ehara ..... D21/333  
D875,180 S \* 2/2020 Wang ..... D21/333  
D875,835 S \* 2/2020 Yamamoto ..... D21/333  
D875,836 S \* 2/2020 Ehara ..... D21/333  
D875,837 S \* 2/2020 Ehara ..... D21/333  
D876,550 S \* 2/2020 Ehara ..... D21/333  
D878,474 S \* 3/2020 Ehara ..... D21/333  
D882,693 S \* 4/2020 Ehara ..... D21/333  
D884,796 S \* 5/2020 Zhou ..... D14/401  
D898,974 S \* 10/2020 Hollinger ..... D26/73  
D902,504 S \* 11/2020 Katopis ..... D30/158  
D912,153 S \* 3/2021 Ehara ..... D14/401  
D912,155 S \* 3/2021 Yang ..... D21/333  
D928,884 S \* 8/2021 Zhou ..... D21/333  
D929,672 S \* 8/2021 Hoover ..... D30/160  
D953,435 S \* 5/2022 Hu ..... D14/401

(Continued)

*Primary Examiner* — Mehri F Bajoul

(74) *Attorney, Agent, or Firm* — Jeenam Park

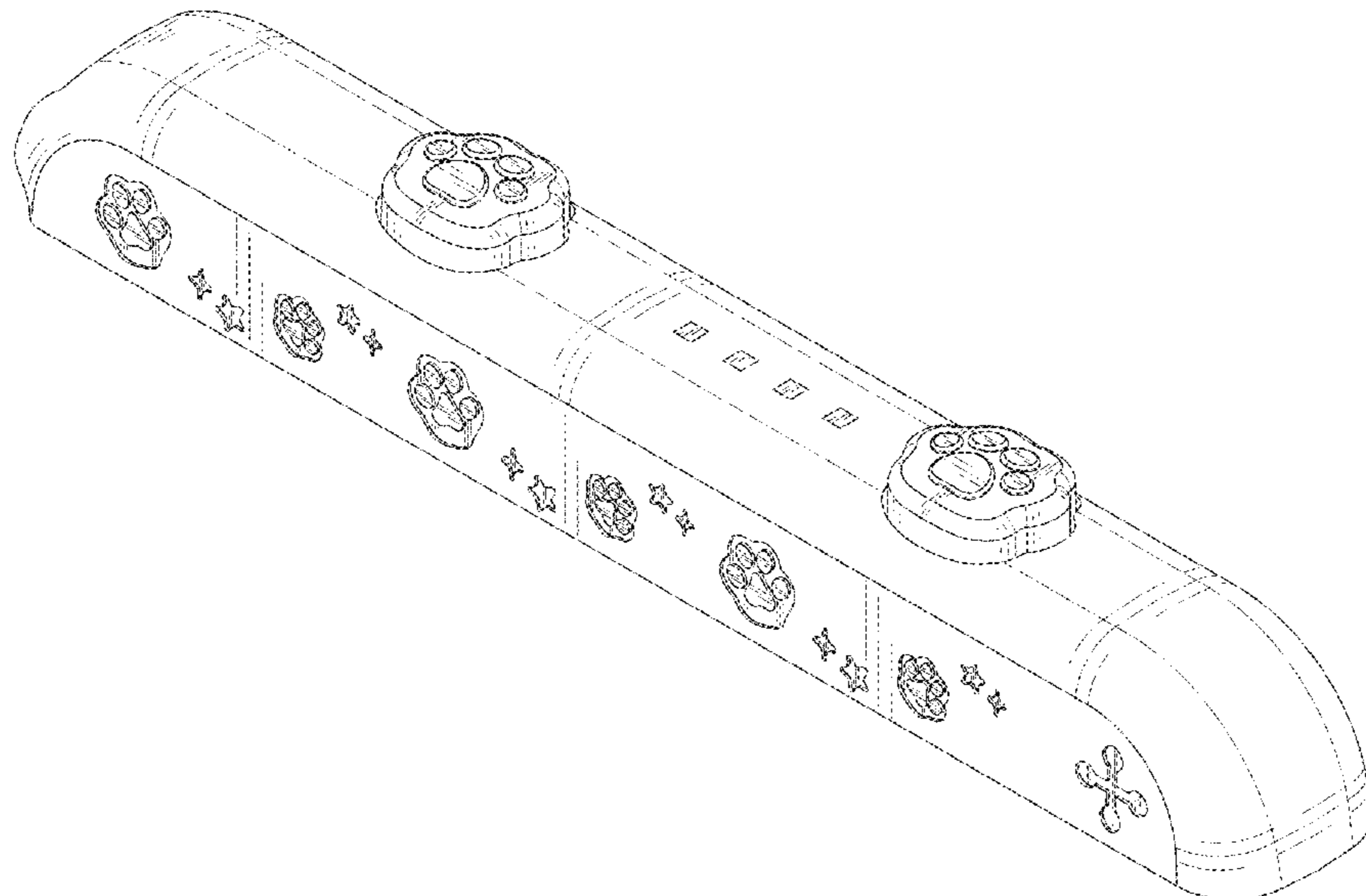
(57) **CLAIM**

The ornamental design for a game controller accessory, as shown and described.

**DESCRIPTION**

FIG. 1 is a perspective view of a game controller accessory, showing my new design;  
FIG. 2 is another perspective view thereof;  
FIG. 3 is a front view thereof;  
FIG. 4 is a rear view thereof;  
FIG. 5 is a left side view thereof;  
FIG. 6 is a right side view thereof;  
FIG. 7 is a top plan view thereof; and,  
FIG. 8 is a bottom plan view thereof.  
The broken lines in the drawings depict portions of the game controller accessory that forms no part of the claimed design.

**1 Claim, 8 Drawing Sheets**



(56)

**References Cited**

U.S. PATENT DOCUMENTS

D953,436 S	*	5/2022	Hu	.....	D21/333
D953,437 S	*	5/2022	Hu	.....	D21/333
D954,151 S	*	6/2022	Lv	.....	D21/333

\* cited by examiner

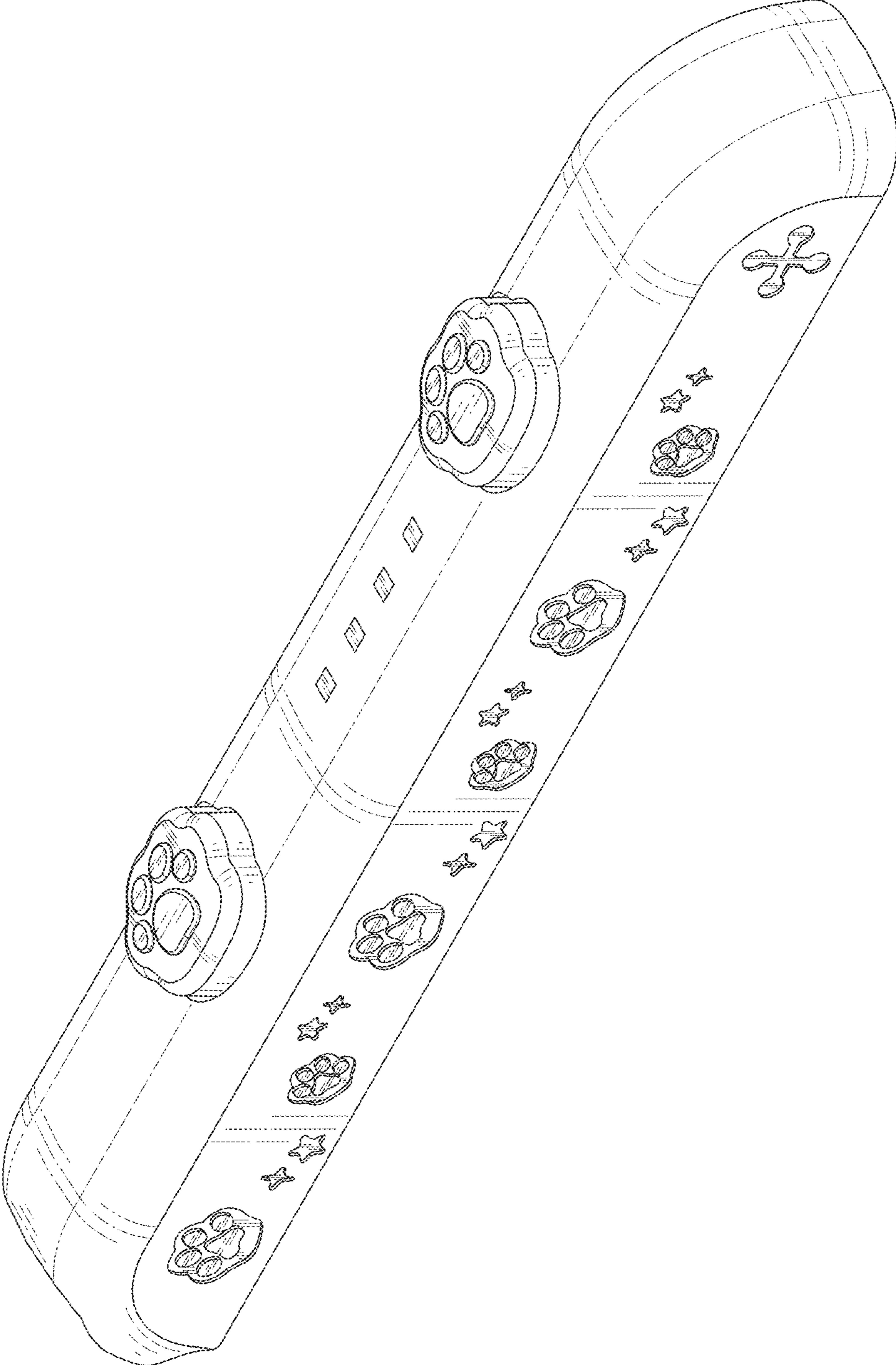


FIG.1

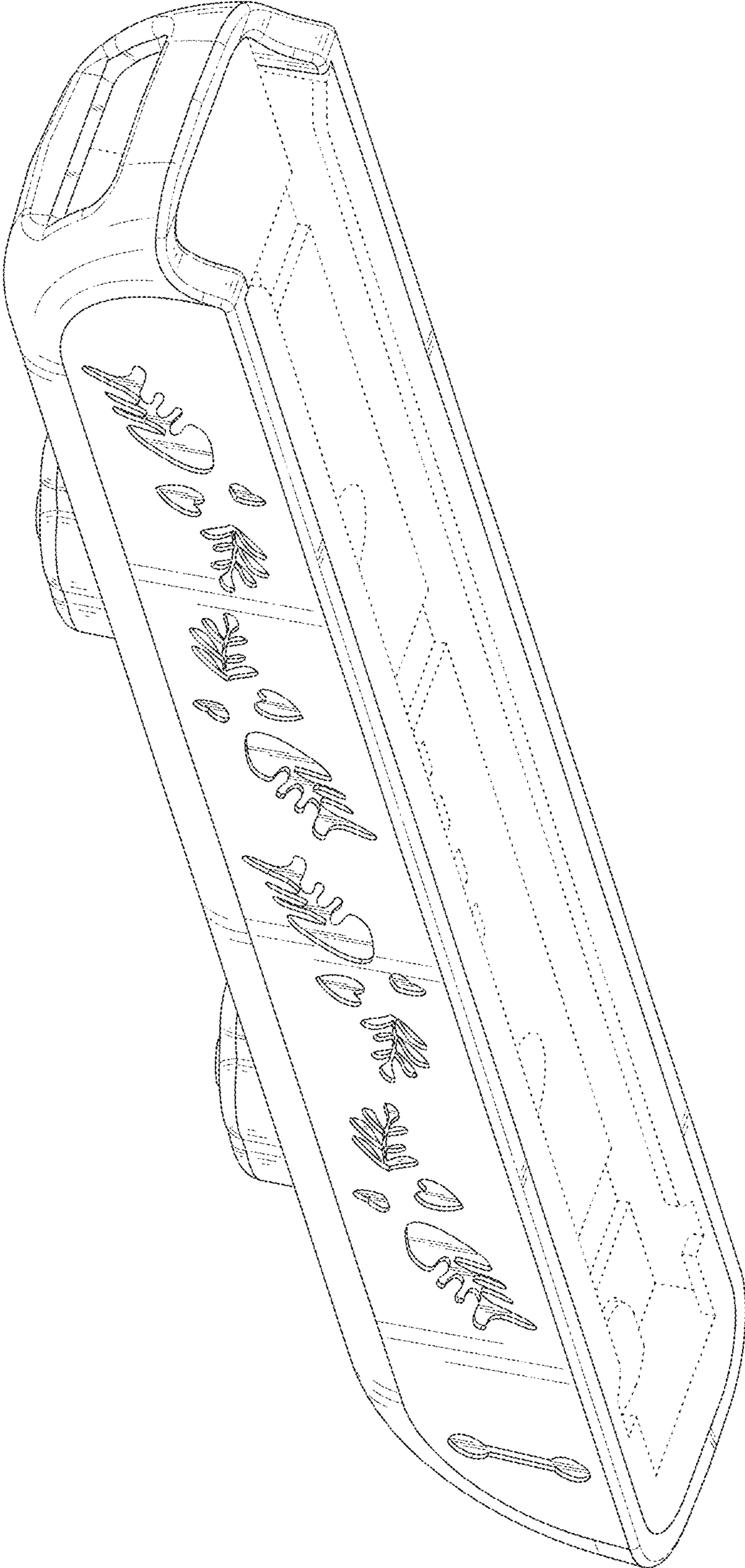


FIG.2

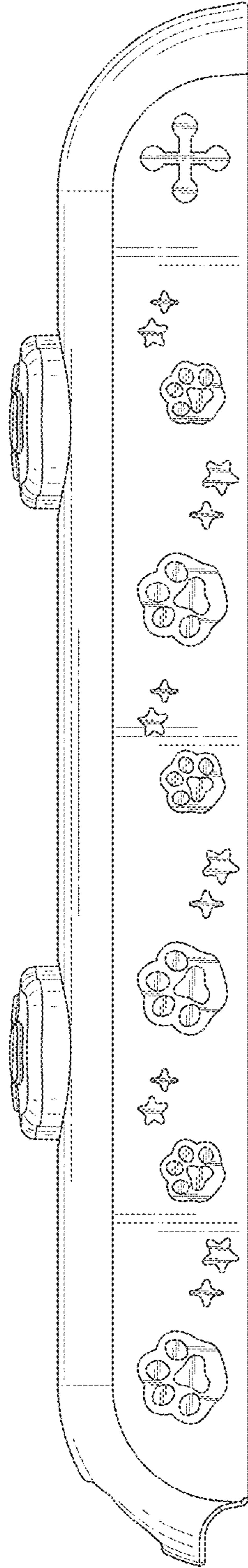


FIG. 3

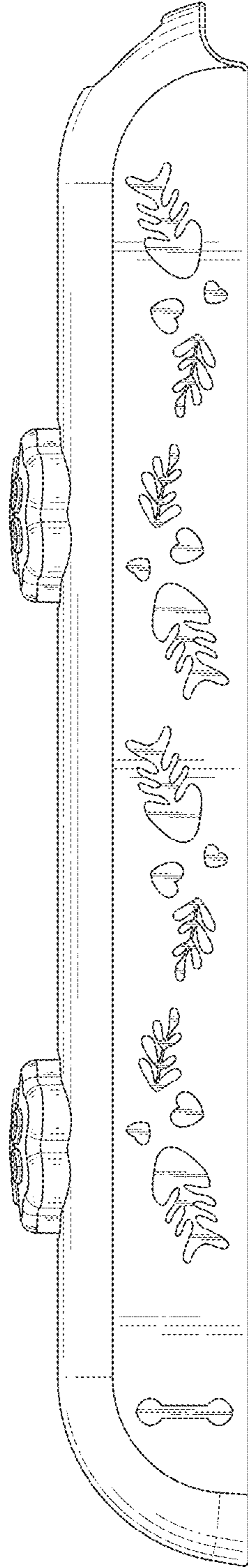


FIG.4

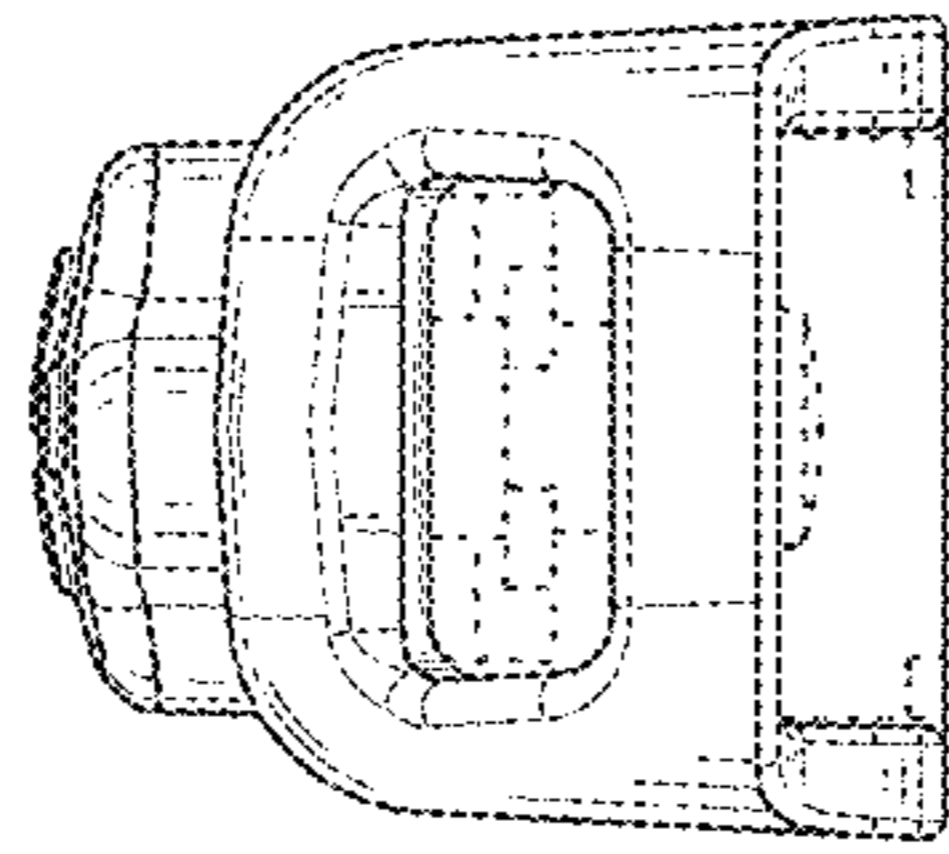


FIG. 5

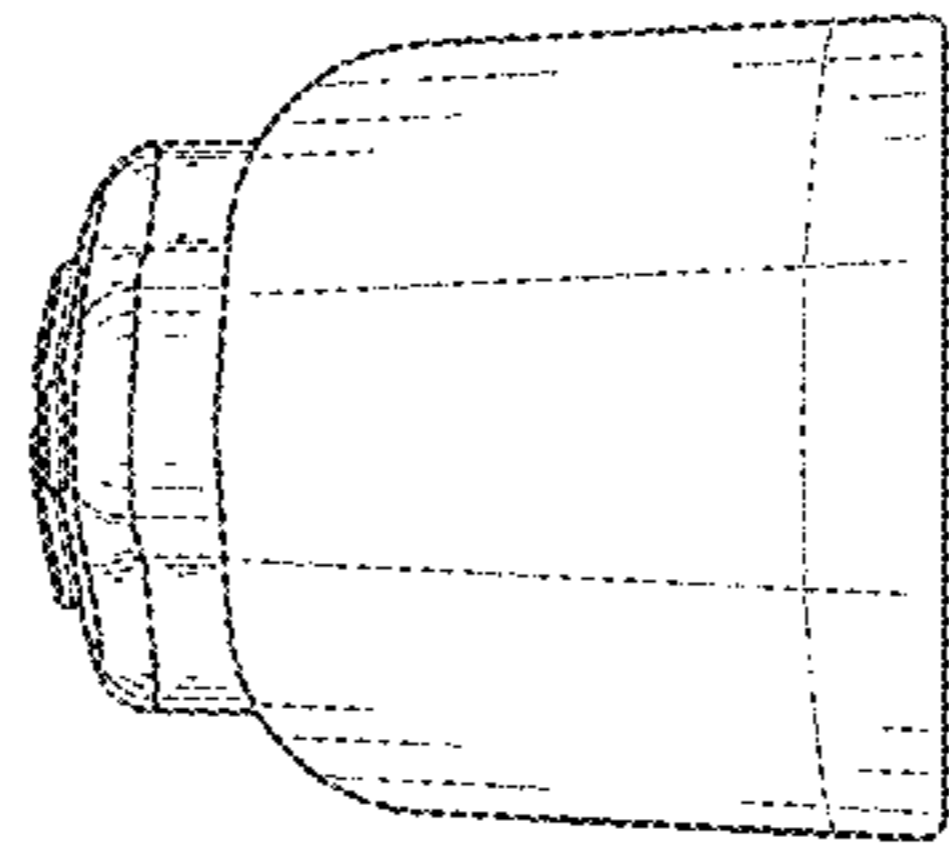


FIG.6



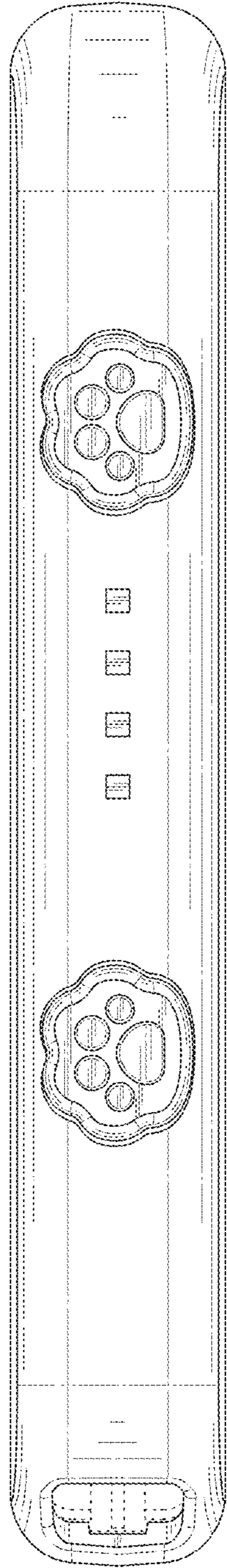


FIG. 7

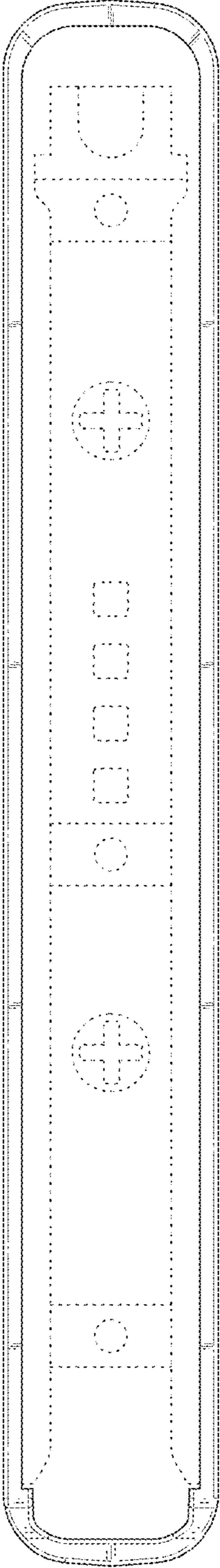


FIG. 8