

US00D968514S

(12) **United States Design Patent** (10) **Patent No.:** **US D968,514 S**  
**Hu** (45) **Date of Patent:** **\*\* Nov. 1, 2022**

(54) **GAME CONTROLLER FOR MOBILE TELEPHONE**

(71) Applicant: **Shenzhen Qixiong Technology Co., Ltd, Shenzhen (CN)**

(72) Inventor: **Xiaochen Hu, Shenzhen (CN)**

(\*\*) Term: **15 Years**

(21) Appl. No.: **29/773,676**

(22) Filed: **Mar. 11, 2021**

(51) **LOC (13) Cl.** ..... **21-01**

(52) **U.S. Cl.**  
USPC ..... **D21/333; D14/401; D14/252**

(58) **Field of Classification Search**  
USPC ..... **D14/251-253, 401, 447; D3/218; D12/415; D21/333**  
CPC ..... **A63F 13/98; A63F 2300/301; H04M 1/04**  
See application file for complete search history.

(56) **References Cited**

**U.S. PATENT DOCUMENTS**

D686,209 S *	7/2013	Sun	.....	D14/401
D720,342 S *	12/2014	Starrett	.....	D14/401
D867,365 S *	11/2019	Corigliano	.....	D14/401
10,525,360 B1 *	1/2020	Corigliano	.....	A63F 13/24
D894,280 S *	8/2020	Ehara	.....	D21/331
D900,935 S *	11/2020	Lo	.....	D21/333
D908,801 S *	1/2021	Lee	.....	D21/333
D909,481 S *	2/2021	Liu	.....	D21/333
D916,980 S *	4/2021	Chen	.....	D21/333
D929,390 S *	8/2021	Bai	.....	D14/253
D947,827 S *	4/2022	Bai	.....	D21/333
D948,619 S *	4/2022	Yoo	.....	D21/333
D953,435 S *	5/2022	Hu	.....	D14/401
2013/0109476 A1 *	5/2013	Baum	.....	A63F 13/235 463/37
2013/0154542 A1 *	6/2013	Joynes	.....	A63F 13/98 320/101

2013/0157764 A1 *	6/2013	Joynes	.....	A63F 13/23 463/37
2013/0184077 A1 *	7/2013	Galpern	.....	A63F 13/24 463/37
2014/0179437 A1 *	6/2014	King	.....	A63F 13/24 463/37
2017/0315586 A1 *	11/2017	Townley	.....	A63F 13/23
2019/0379231 A1 *	12/2019	Gonzalez	.....	H02J 7/025
2021/0275907 A1 *	9/2021	Khaira	.....	A63F 13/24
2021/0299553 A1 *	9/2021	Lu	.....	A63F 13/24
2021/0344786 A1 *	11/2021	Takura	.....	H04M 1/21
2021/0346794 A1 *	11/2021	Gao	.....	A63F 13/24

\* cited by examiner

*Primary Examiner* — Janice Hallmark

(57) **CLAIM**

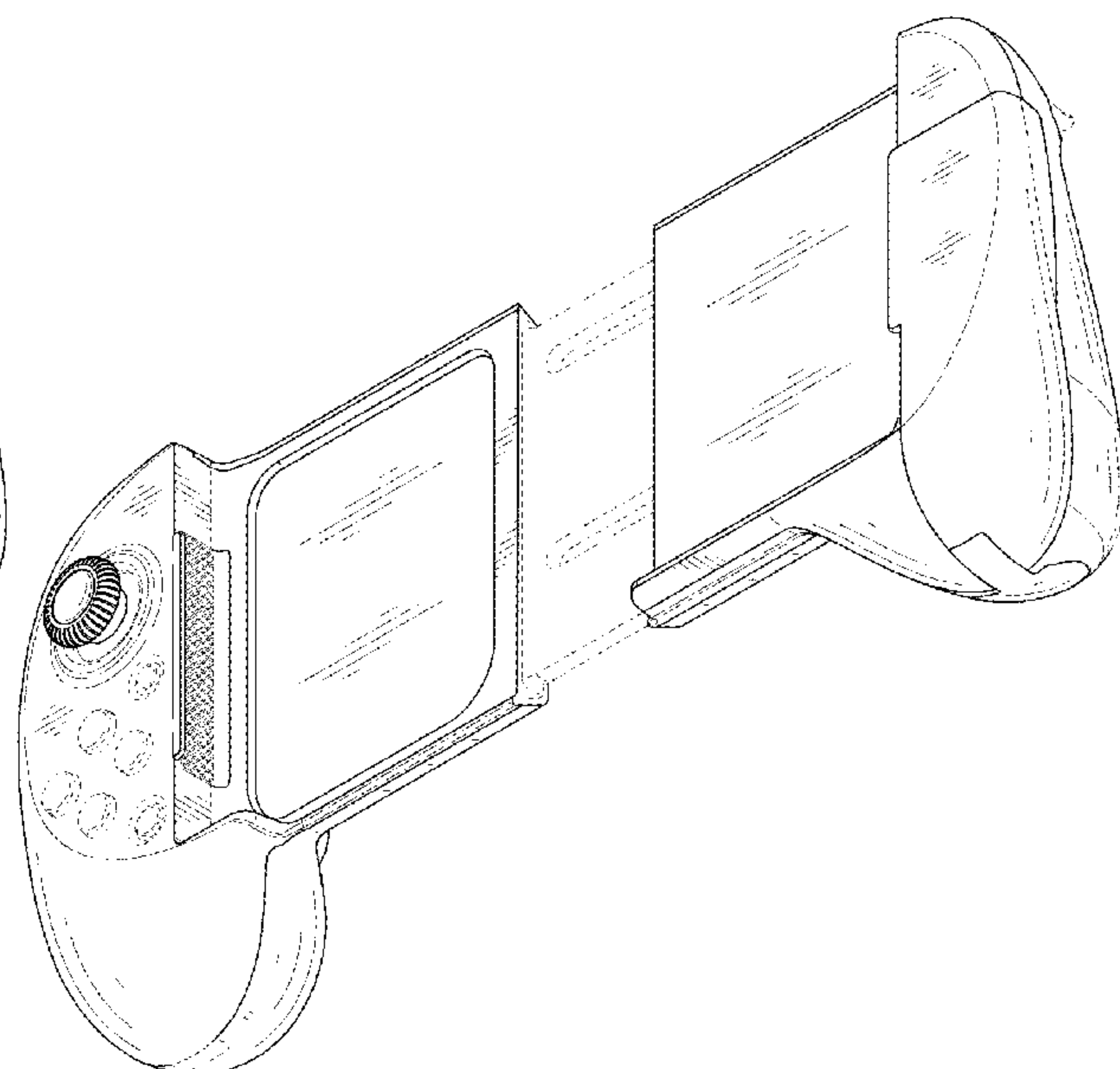
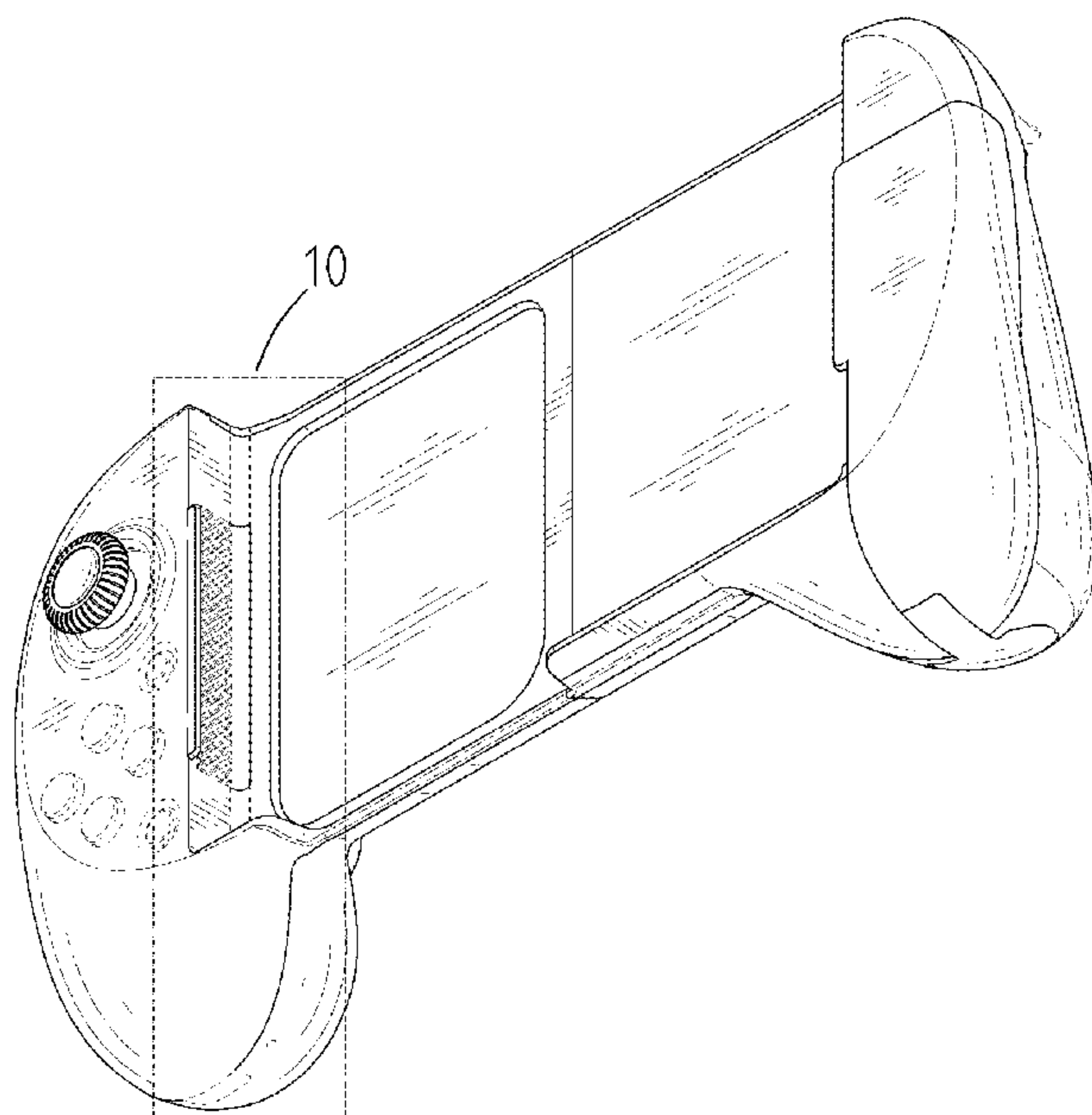
The ornamental design for a game controller for mobile telephone, as shown and described.

**DESCRIPTION**

FIG. 1 is a first perspective view of a game controller for mobile telephone showing my new design; FIG. 2 is a second perspective view thereof; FIG. 3 is a front view thereof; FIG. 4 is a back view thereof; FIG. 5 is a left side view thereof; FIG. 6 is a right side view thereof; FIG. 7 is a top view thereof; FIG. 8 is a bottom view thereof; FIG. 9 is a perspective view of another state of the game controller for mobile telephone thereof; and, FIG. 10 is an enlarged view of the selected portion in FIG. 1.

The broken lines shown in the drawings depict portions of the game controller for mobile telephone in which the design is embodied that form no part of the claimed design.

**1 Claim, 10 Drawing Sheets**



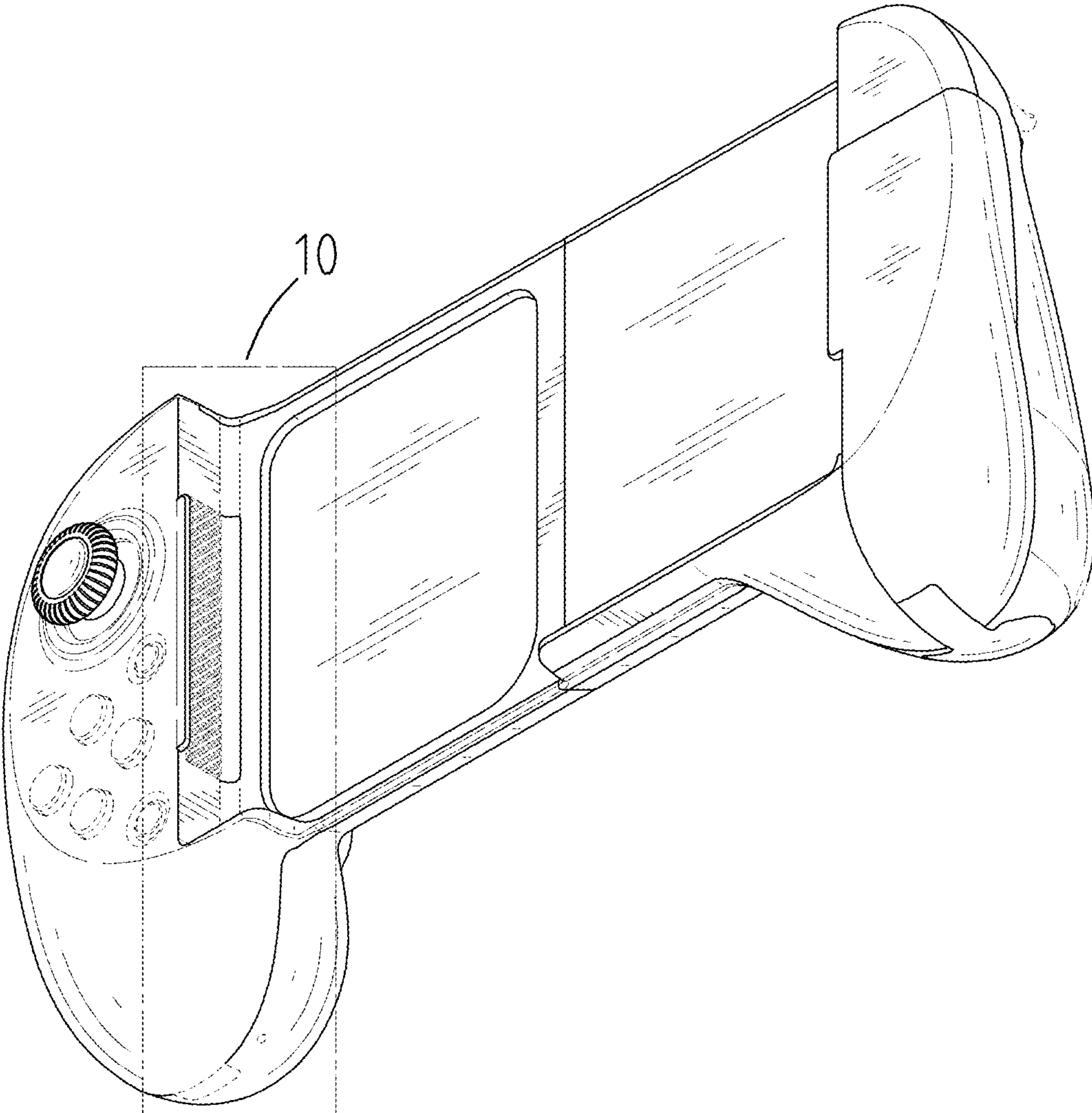


FIG. 1

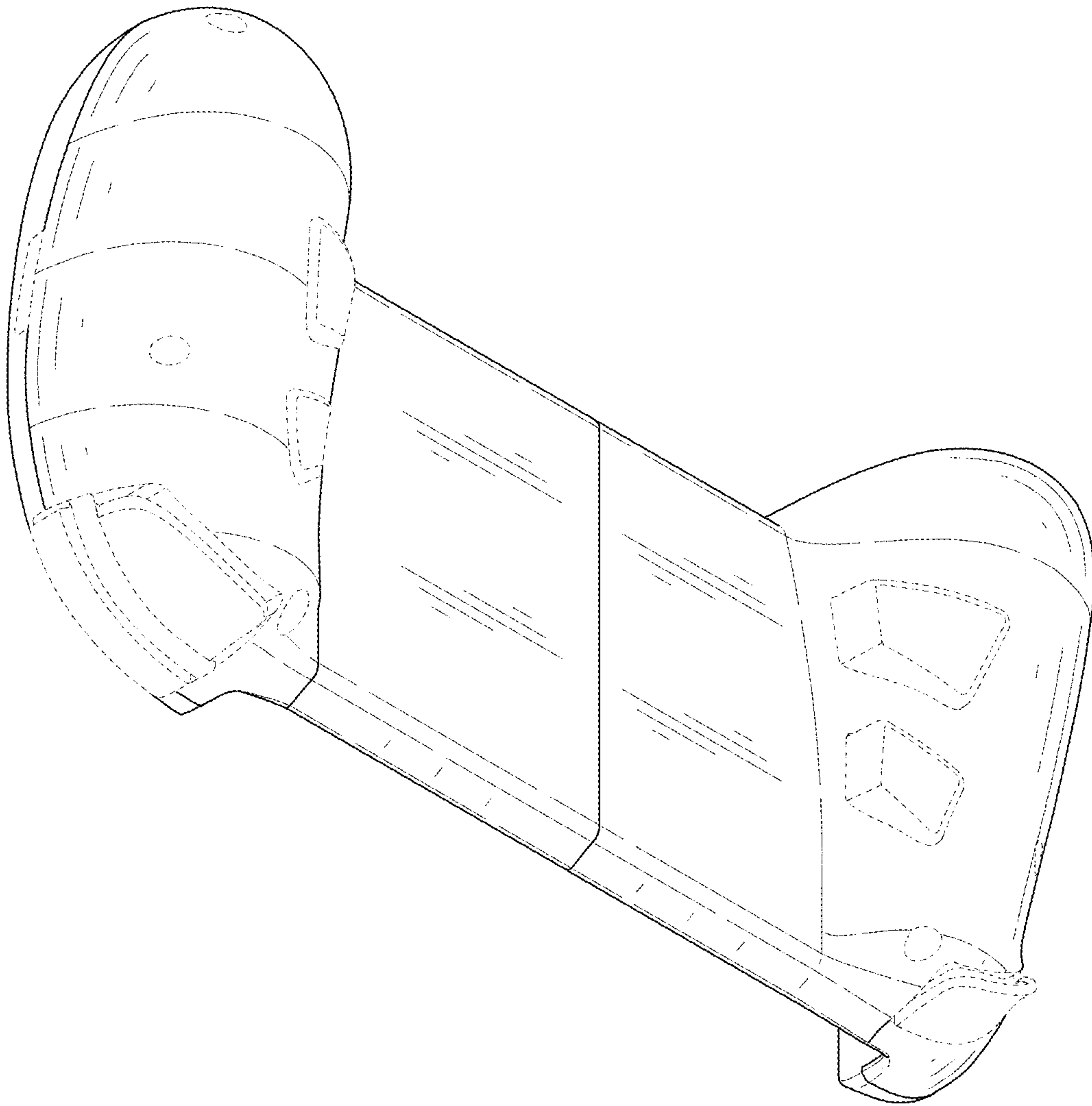


FIG. 2

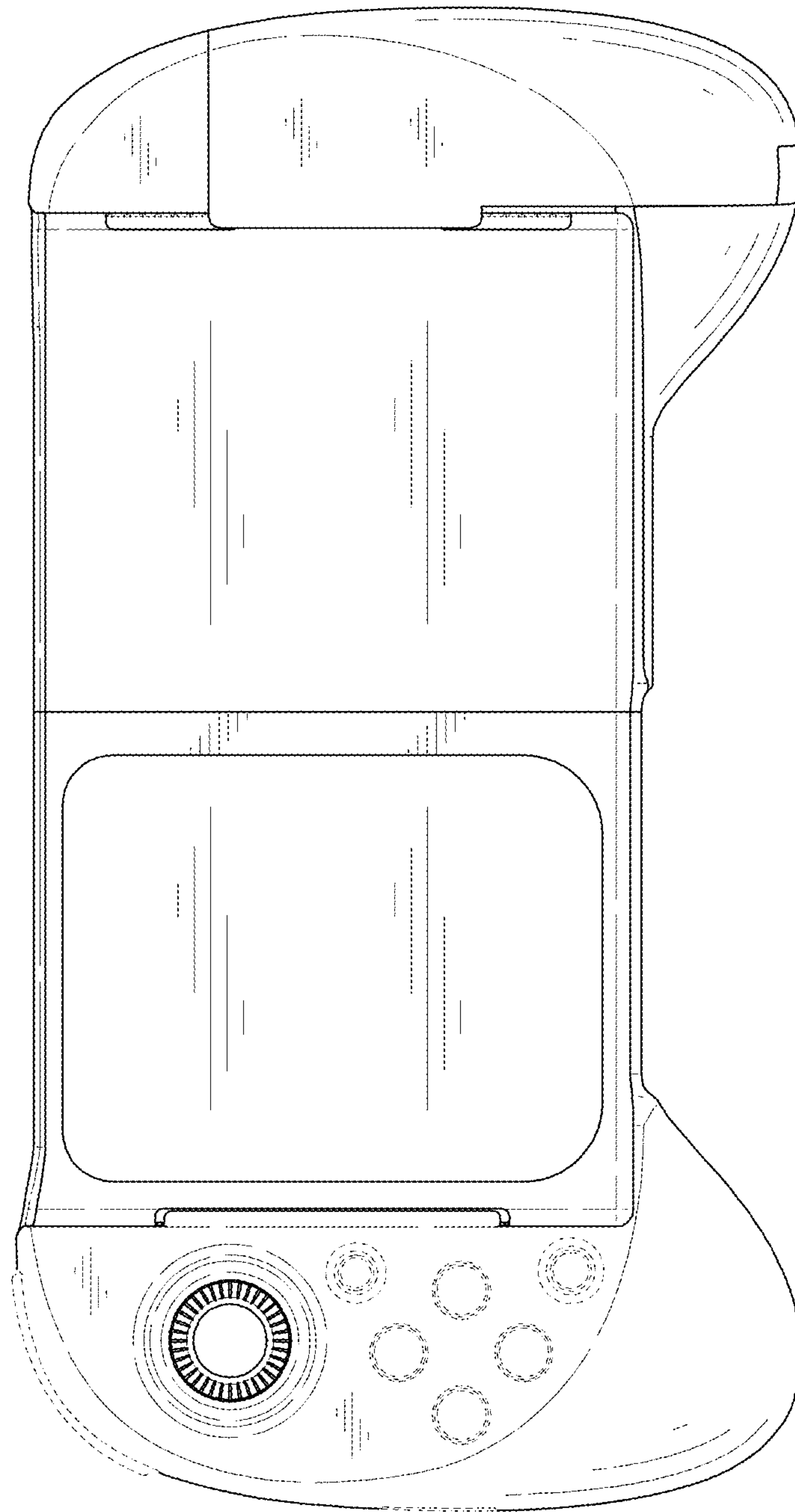


FIG. 3



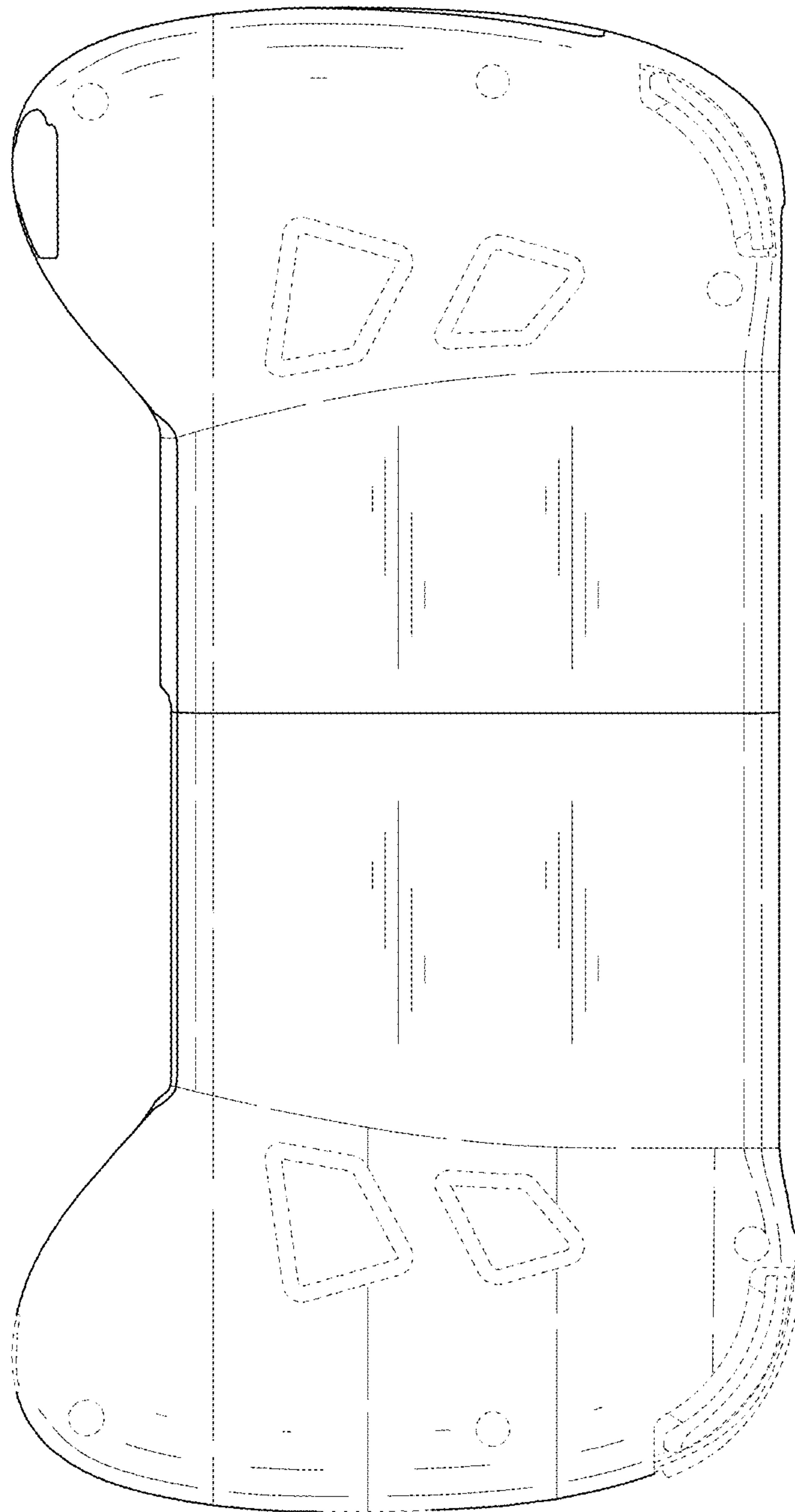


FIG. 4

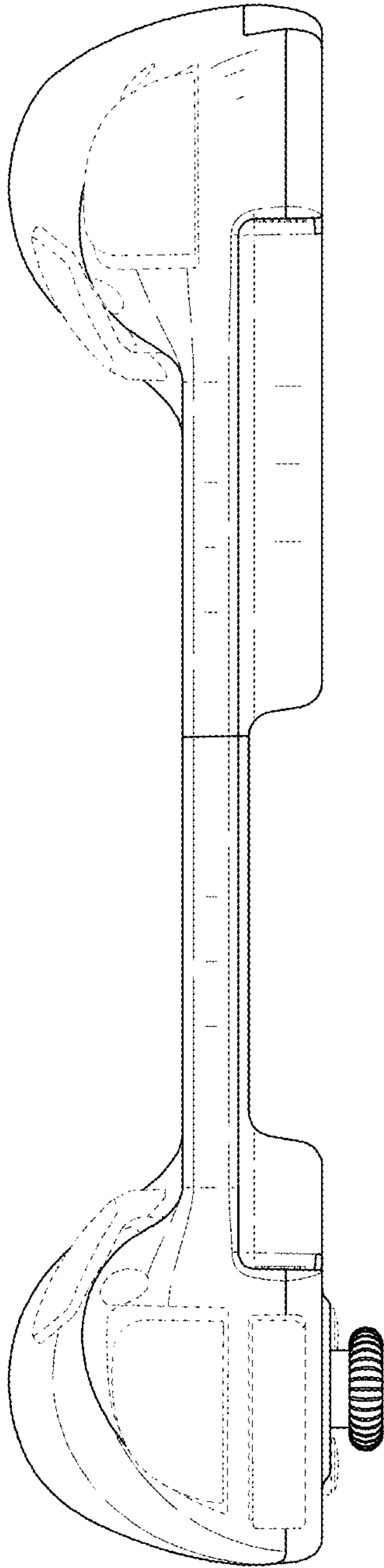


FIG. 5

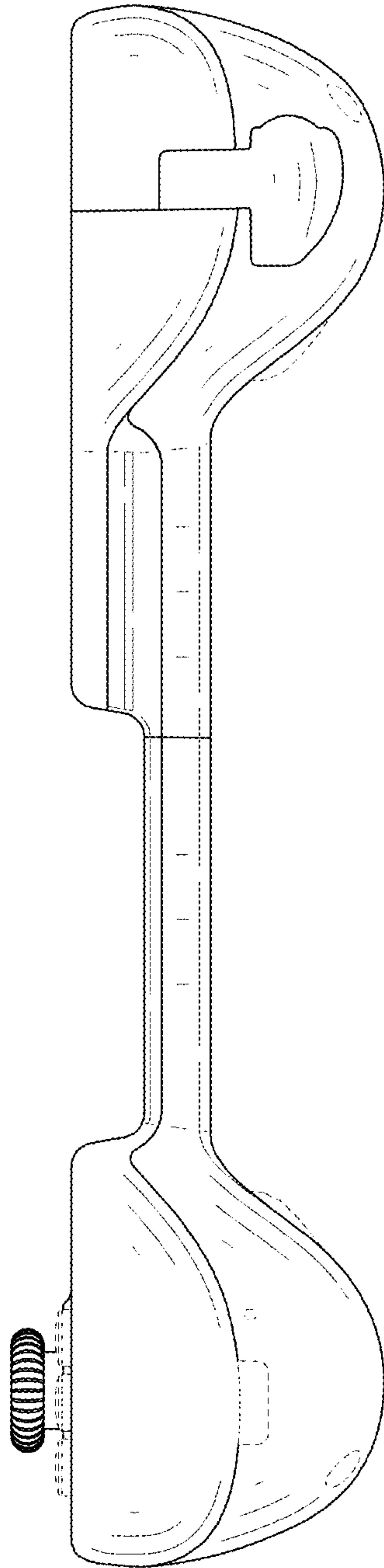


FIG. 6

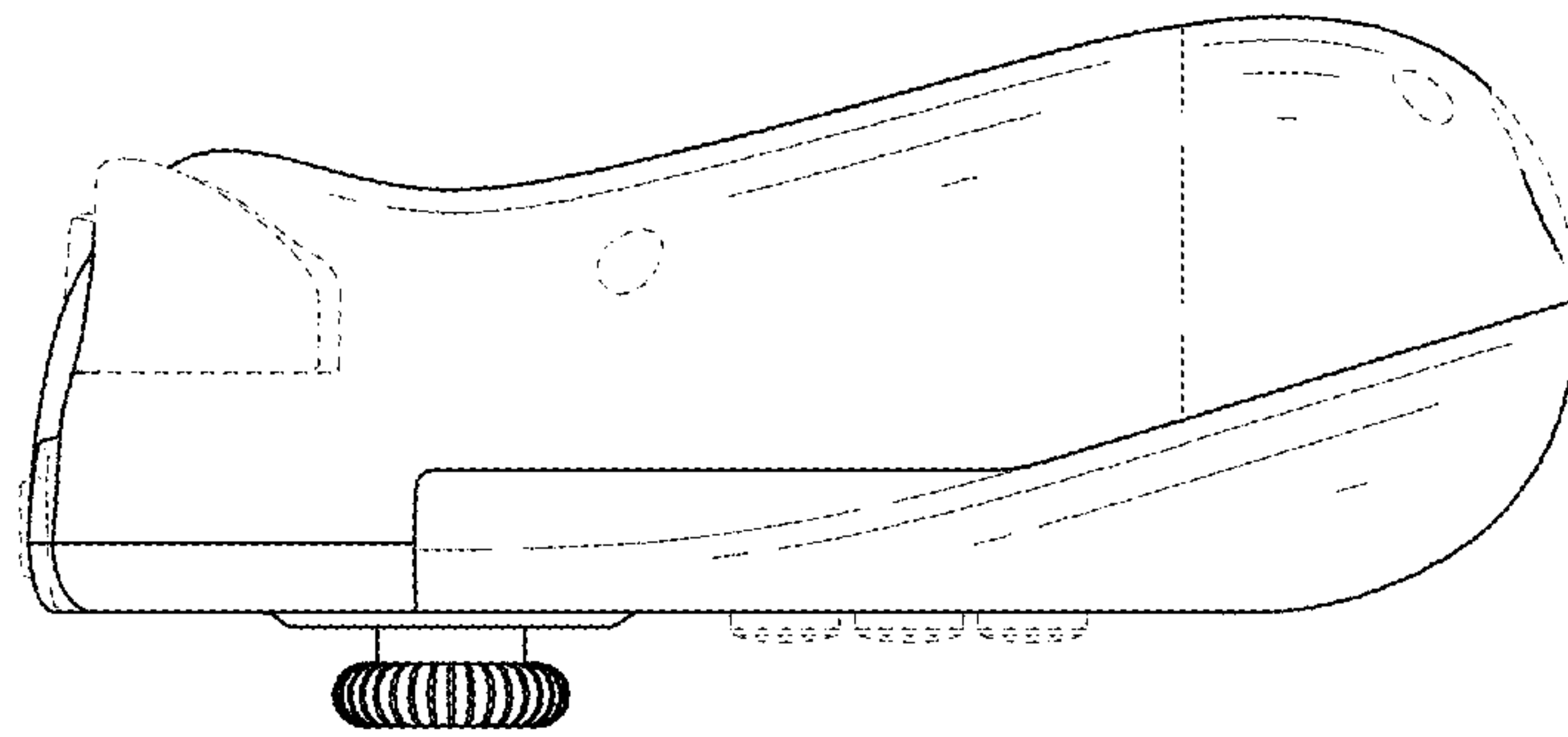


FIG. 7



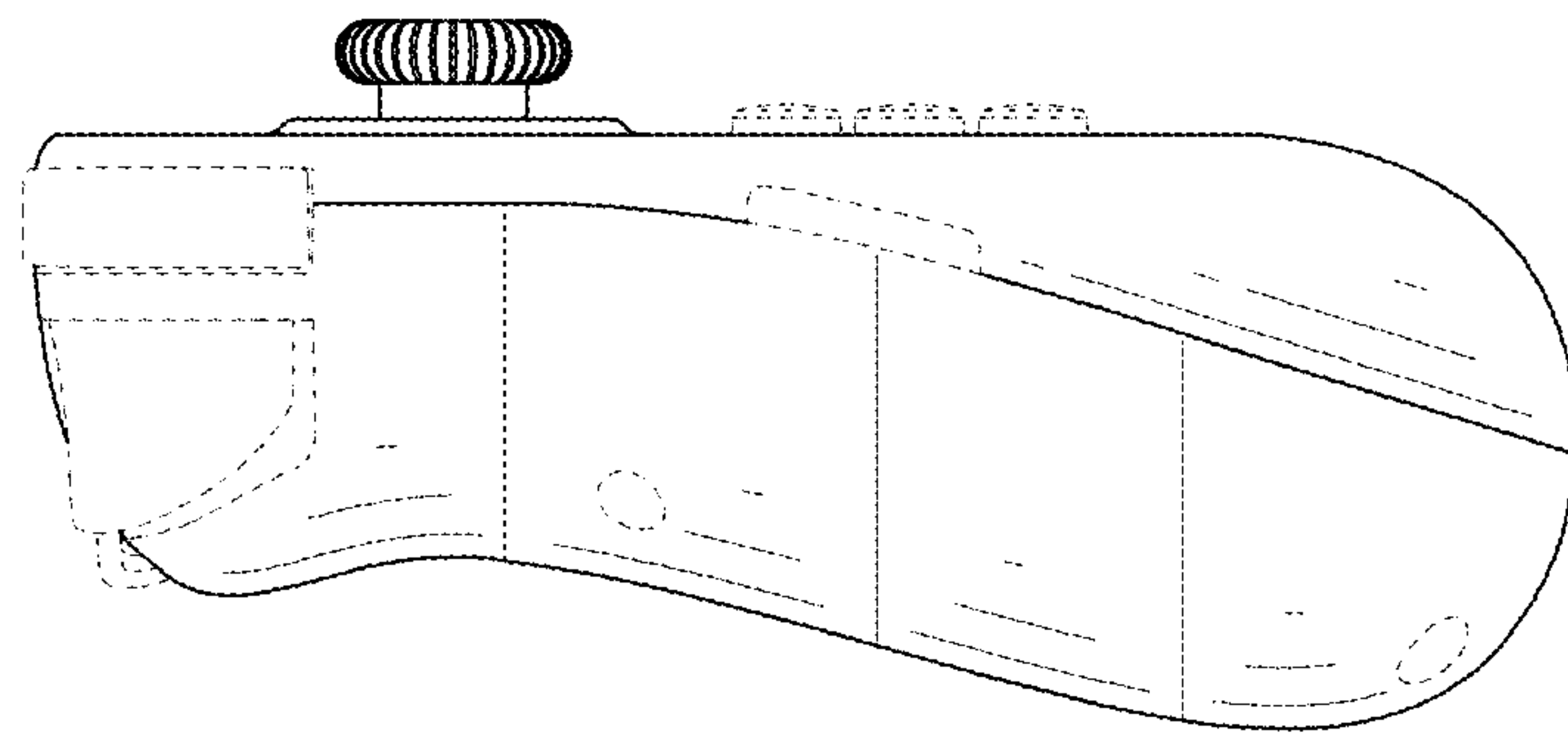


FIG. 8

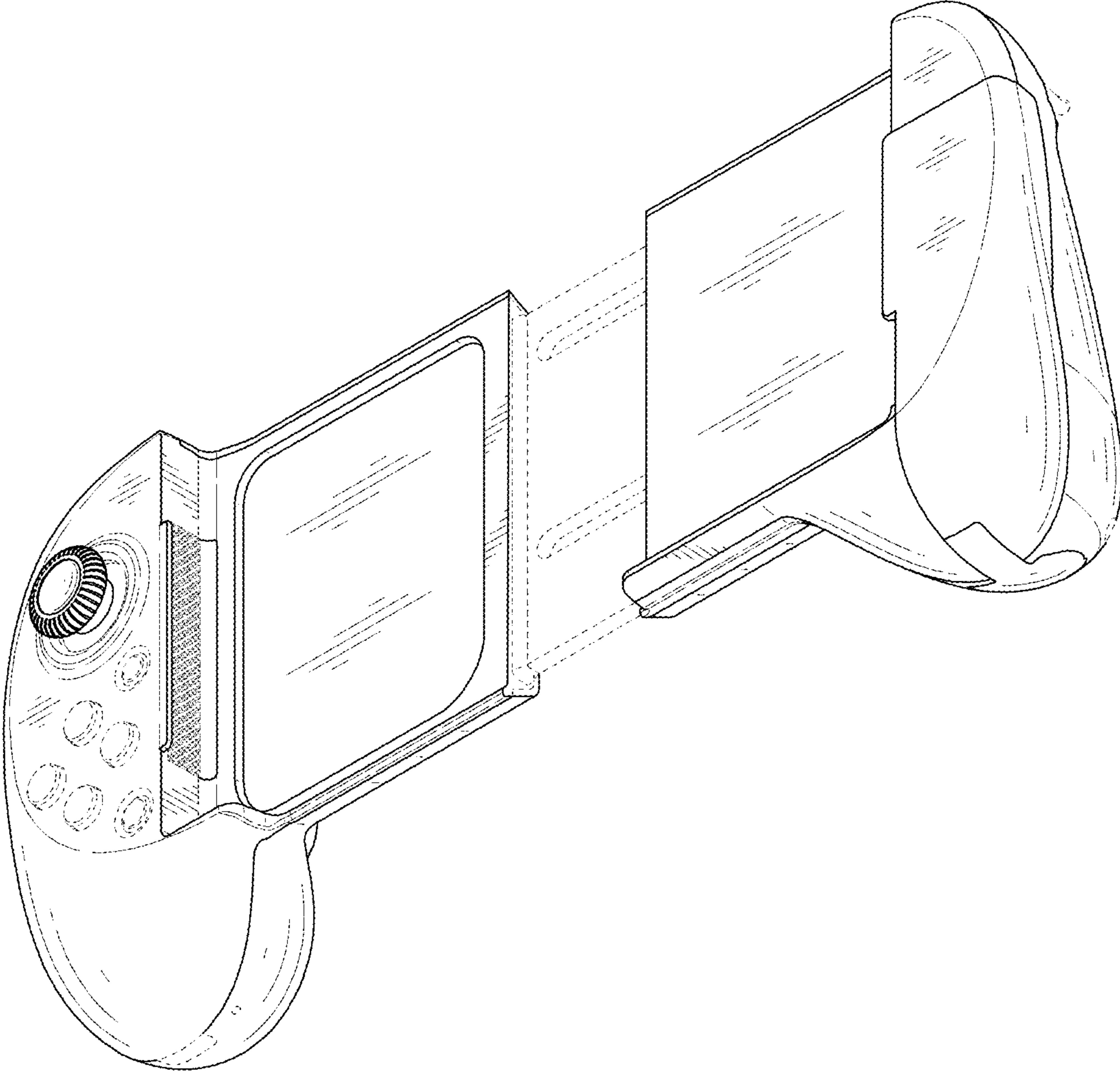


FIG. 9

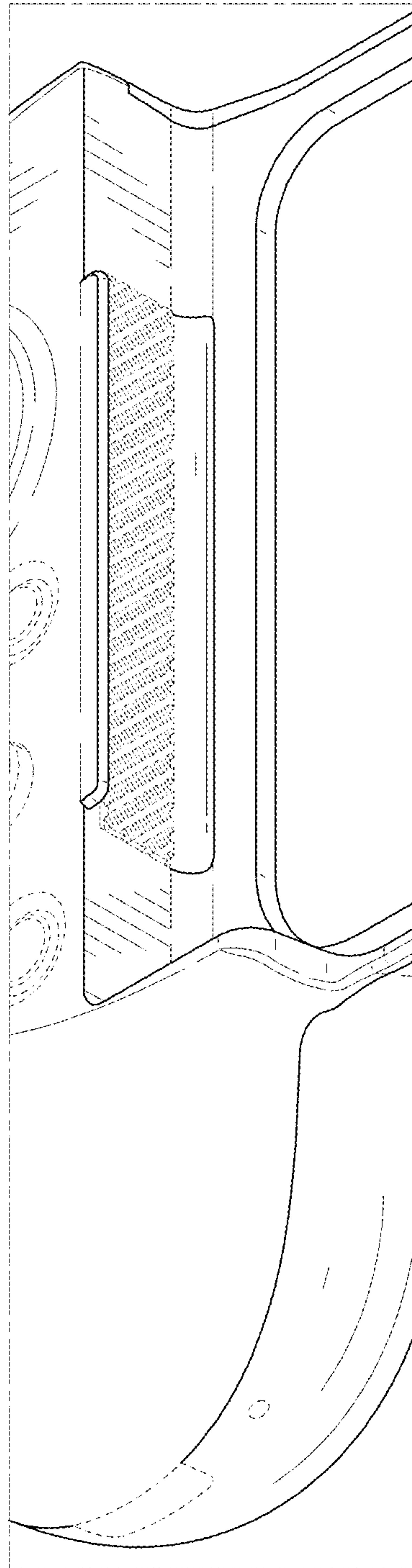


FIG. 10