



US00D968508S

(12) **United States Design Patent**
Brown et al.

(10) **Patent No.:** **US D968,508 S**

(45) **Date of Patent:** **** Nov. 1, 2022**

(54) **MOBILE PRINTER AND STORAGE
COMPARTMENT UNIT ASSEMBLY**

(71) Applicant: **Xerox Corporation**, Norwalk, CT (US)

(72) Inventors: **Donald A. Brown**, Honeoye Falls, NY (US); **David M. Parsons**, Victor, NY (US); **Michael C. Kowalski**, Skaneateles, NY (US); **Howard S. Ryan**, Skaneateles, NY (US)

(73) Assignee: **Xerox Corporation**, Norwalk, CT (US)

(**) Term: **15 Years**

(21) Appl. No.: **29/693,927**

(22) Filed: **Jun. 6, 2019**

(51) **LOC (13) Cl.** **14-02**

(52) **U.S. Cl.**
USPC **D18/53**

(58) **Field of Classification Search**
USPC D18/50, 53, 54, 55, 56, 36, 37, 38, 39,
D18/40, 41, 45; D14/301, 307, 121
(Continued)

(56) **References Cited**

U.S. PATENT DOCUMENTS

D406,270 S * 3/1999 Postrel D18/4.5
D430,867 S * 9/2000 Smith D14/311
(Continued)

FOREIGN PATENT DOCUMENTS

CN 303287744 * 7/2015 14/2
CN 304065842 * 3/2017 14/2
(Continued)

OTHER PUBLICATIONS

Fuji Film. Link: <https://www.fujifilm.com/us/en/business/photofinishing/kiosk-solutions/getpix-print-station>. Visited Apr. 6, 2022. Fujifilm's GetPix Print Station. (Year: 2022).*

(Continued)

Primary Examiner — Lauren D McVey

(74) *Attorney, Agent, or Firm* — Gibb IP Law Firm, LLC

(57) **CLAIM**

The ornamental design for a mobile printer and storage compartment unit assembly, as shown and described.

DESCRIPTION

FIG. 1 is a perspective right view of a mobile printer and storage compartment unit assembly in the open position and a screen in the up position, showing our new design;

FIG. 2 is a perspective left view of the mobile printer shown in FIG. 1;

FIG. 3 is a front view of the mobile printer shown in FIG. 1;

FIG. 4 is a back view of the mobile printer shown in FIG. 1;

FIG. 5 is a right view of the mobile printer shown in FIG. 1;

FIG. 6 is a left view of the mobile printer shown in FIG. 1;

FIG. 7 is a top view of the mobile printer shown in FIG. 1;

FIG. 8 is bottom view of the mobile printer shown in FIG. 1;

FIG. 9 is perspective right view of the mobile printer shown in FIG. 1 with the storage compartment in the closed position and the screen in the down position;

FIG. 10 is perspective left view of the mobile printer shown in FIG. 9;

FIG. 11 is front view of the mobile printer shown in FIG. 9;

FIG. 12 is a back view of the mobile printer shown in FIG. 9;

FIG. 13 is a right view of the mobile printer shown in FIG. 9;

FIG. 14 is left view of the mobile printer shown in FIG. 9;

FIG. 15 is a top view of the mobile printer shown in FIG. 9;

FIG. 16 is a bottom view of the mobile printer shown in FIG. 9;

FIG. 17 is a perspective right view of the mobile printer shown in FIG. 1 without the storage compartment and with the screen in the up position;

FIG. 18 is a perspective left view of the mobile printer shown in FIG. 17;

(Continued)

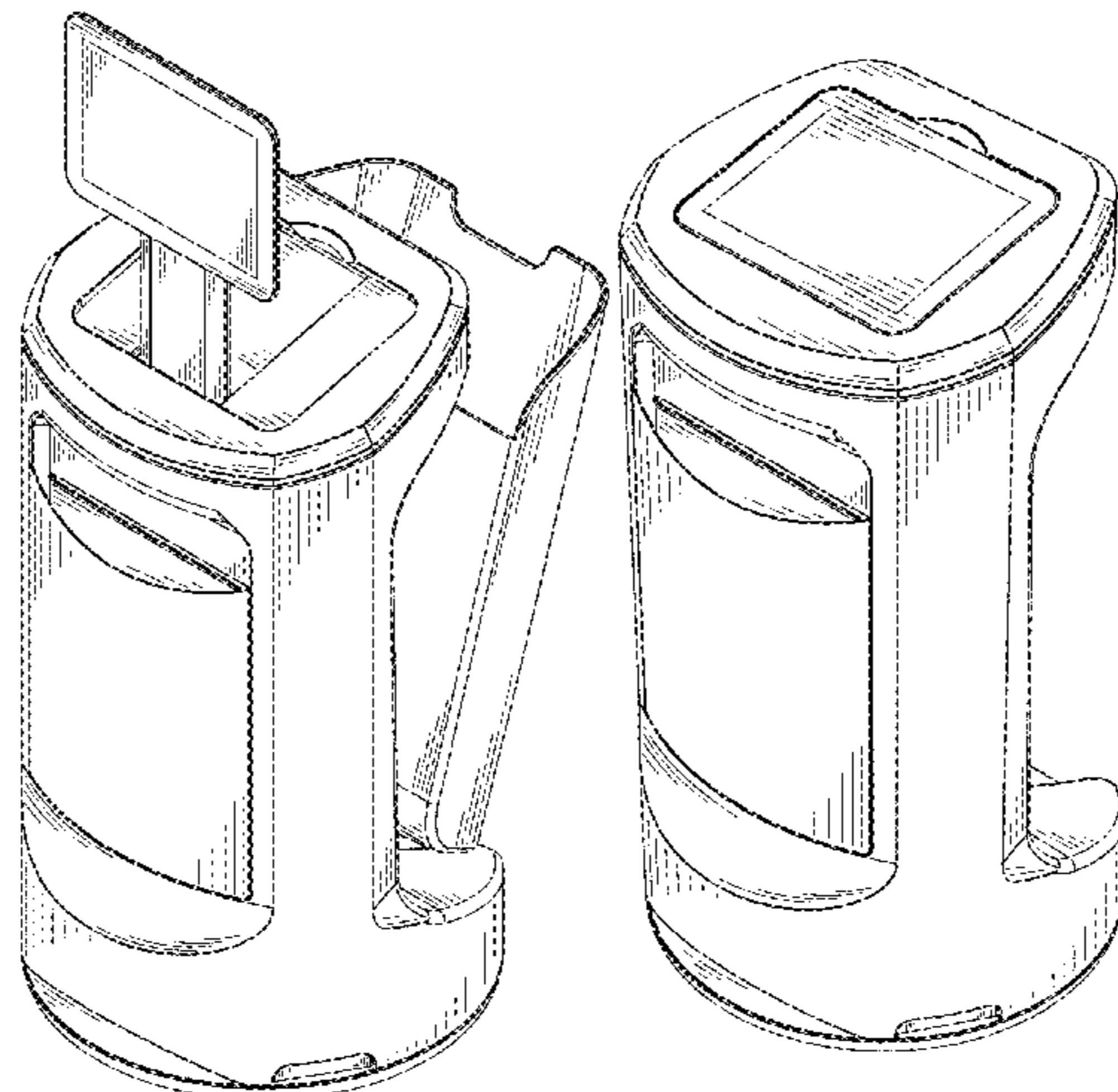


FIG. 19 is a front view of the mobile printer shown in FIG. 17;
 FIG. 20 is a back view of the mobile printer shown in FIG. 17;
 FIG. 21 is a right view of the mobile printer shown in FIG. 17;
 FIG. 22 is a left view of the mobile printer shown in FIG. 17;
 FIG. 23 is a top view of the mobile printer shown in FIG. 17;
 FIG. 24 is a bottom view of the mobile printer shown in FIG. 17;
 FIG. 25 is a perspective right view of the mobile printer shown in FIG. 1 without the storage compartment and with the screen in the down position;
 FIG. 26 is a perspective left view of the mobile printer shown in FIG. 25;
 FIG. 27 is a front view of the mobile printer shown in FIG. 25;
 FIG. 28 is a back view of the mobile printer shown in FIG. 25;
 FIG. 29 is a right view of the mobile printer shown in FIG. 25;
 FIG. 30 is a left view of the mobile printer shown in FIG. 25;
 FIG. 31 is a top view of the mobile printer shown in FIG. 25;
 and,
 FIG. 32 is a bottom view of the mobile printer shown in FIG. 25.

1 Claim, 32 Drawing Sheets

(58) **Field of Classification Search**
 CPC H04N 1/00278; H04N 1/00204; H04N 1/00249; G06K 15/12; G06K 15/14; B41J 3/00; B41J 3/28; B41J 3/445; B41J 3/46
 See application file for complete search history.

(56) **References Cited**

U.S. PATENT DOCUMENTS

D431,708 S * 10/2000 McCormack D99/28
 7,209,803 B2 4/2007 Okamoto et al.

D605,191 S * 12/2009 Kuroda D14/307
 7,813,836 B2 10/2010 Wang et al.
 D660,349 S * 5/2012 Hiraguchi D18/50
 D663,034 S * 7/2012 Nathanson D24/185
 D669,891 S * 10/2012 Bowles D14/307
 D674,838 S * 1/2013 Kano D18/50
 8,761,933 B2 6/2014 Oliver, III et al.
 D764,577 S * 8/2016 Cho D18/53
 9,557,740 B2 1/2017 Crawley
 D806,163 S * 12/2017 Smith D18/53
 10,175,689 B2 1/2019 Miyazaki et al.
 D854,538 S * 7/2019 Szeredi D14/307
 D865,049 S * 10/2019 Bidwell D18/19
 D937,823 S * 12/2021 Ahn D14/307
 2013/0226344 A1 8/2013 Wong et al.
 2014/0365060 A1 12/2014 Yamamoto et al.
 2015/0202770 A1 7/2015 Patron et al.
 2017/0269878 A1 9/2017 Taniguchi
 2018/0196430 A1 7/2018 Sakurai et al.

FOREIGN PATENT DOCUMENTS

CN 304806248 * 9/2018 14/2
 CN 111907224 A * 11/2020 B41J 29/54
 CN 306189787 * 11/2020 14/2
 CN 306328643 * 2/2021 14/2
 CN 306570973 * 5/2021 18/99

OTHER PUBLICATIONS

Barcode Giant. Link: https://www.barcodegiant.com/partnertech/part-790ps1030000.htm?aw&adtype=pla&utm_medium=pla&utm_campaign=PLA_Topaz&gclid=EAlalQobChMI_MPIxcH_9gIVL_LjBx2qvAk3EAQYBSABEgIDg_D_BwE&gclsrc=aw.ds. Visited Apr. 6, 2022. PartnerTech PS-103 Cosmo Printer Stand Accessories. (Year: 2022).*

Global Industrial. Link: <https://www.globalindustrial.com/p/mobile-security-lcd-computer-cabinet-black-2?ref=42>. Visited Apr. 6, 2022. Global Industrial™ Mobile Security LCD Computer Workstation, Black, Unassembled (Year: 2022).*

Lansun. Link: <http://www.self-kiosk.com/sale-11900492-airport-self-check-in-kiosk-for-boarding-pass-and-baggage-tag-printing.html>. Visited Apr. 6, 2022. Airport Self Check In Kiosk For Boarding Pass And Baggage Tag Printing (Year: 2022).*

U.S. Appl. No. 16/432,971, 20180880US02, Notice of Allowance dated Apr. 21, 2020, pp. 1-10.

* cited by examiner

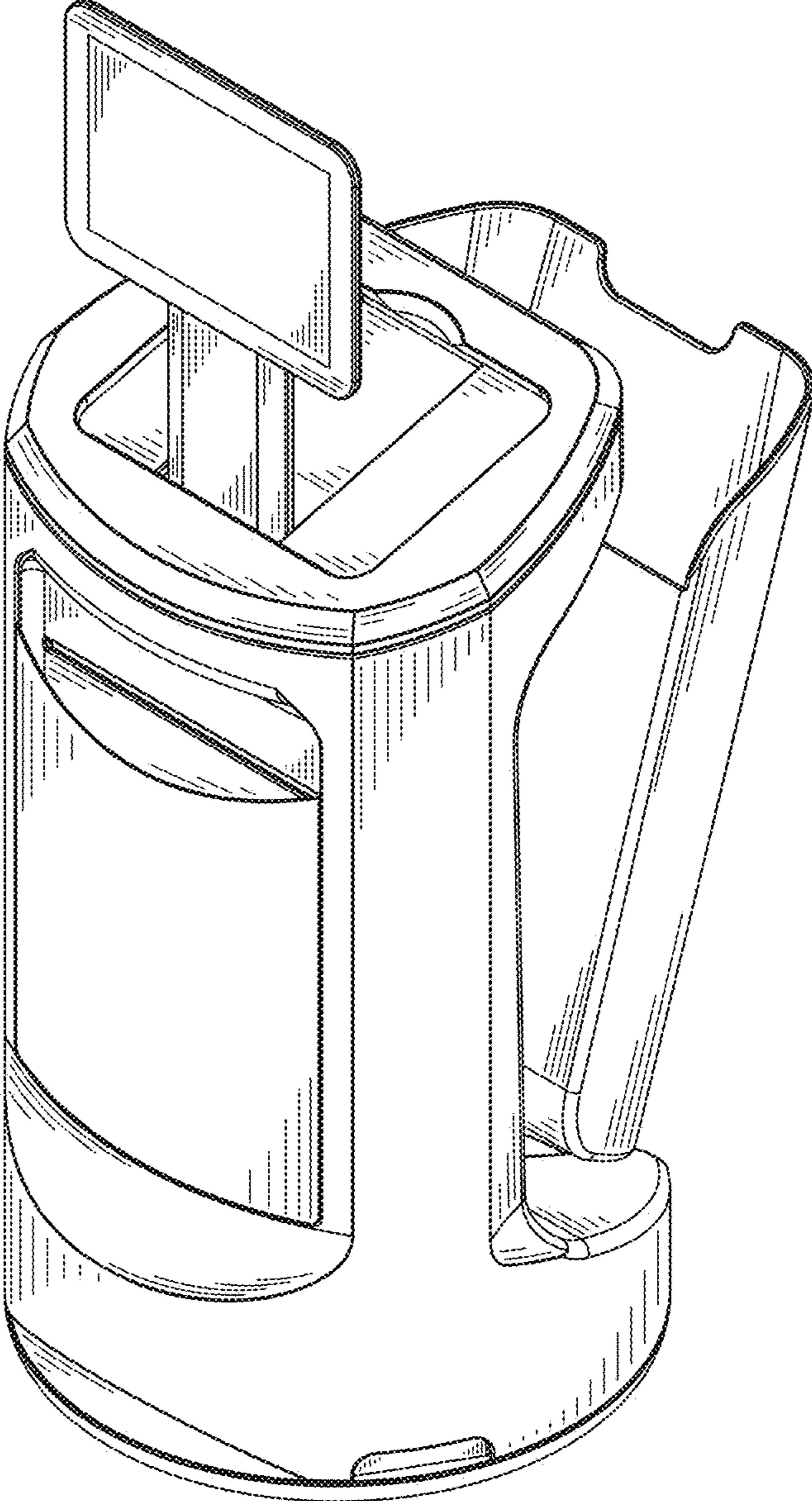


FIG. 1

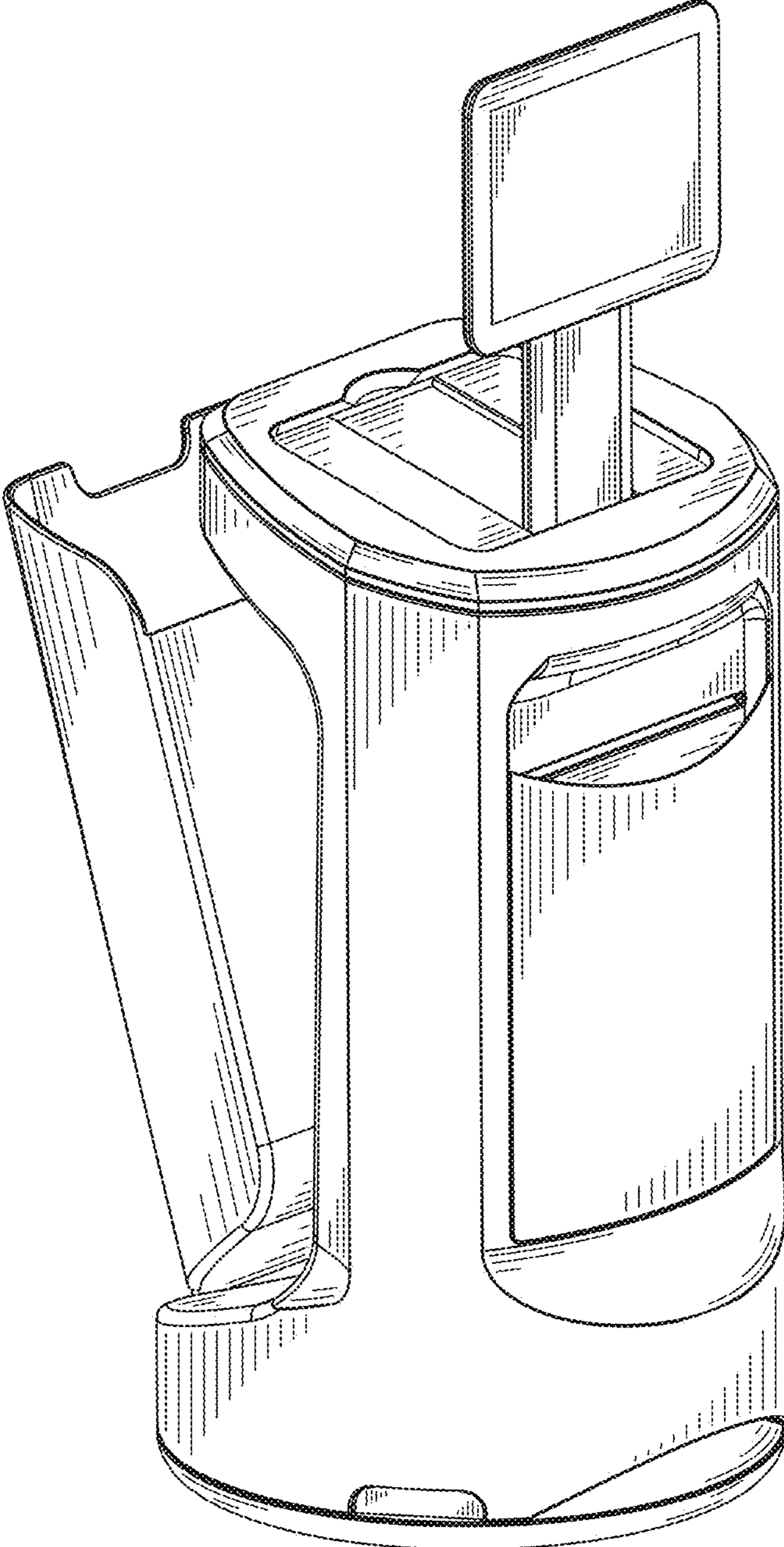


FIG. 2

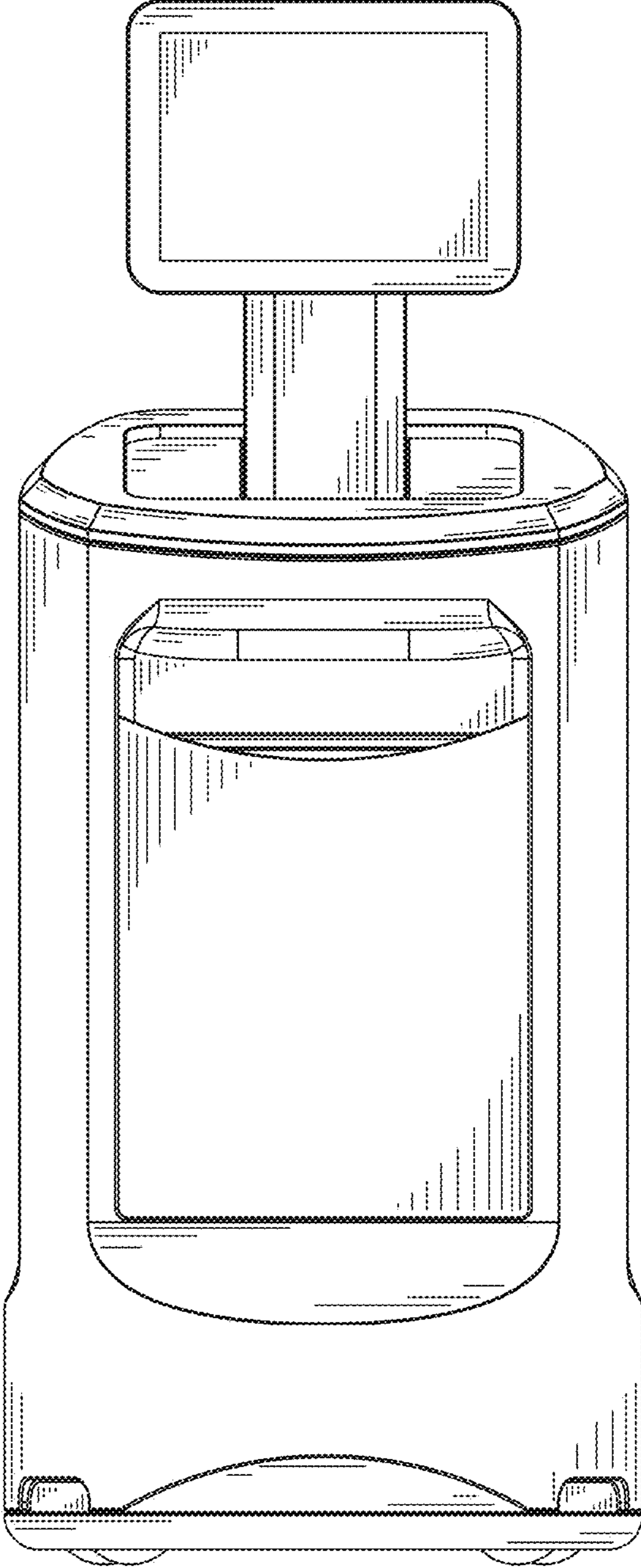


FIG. 3

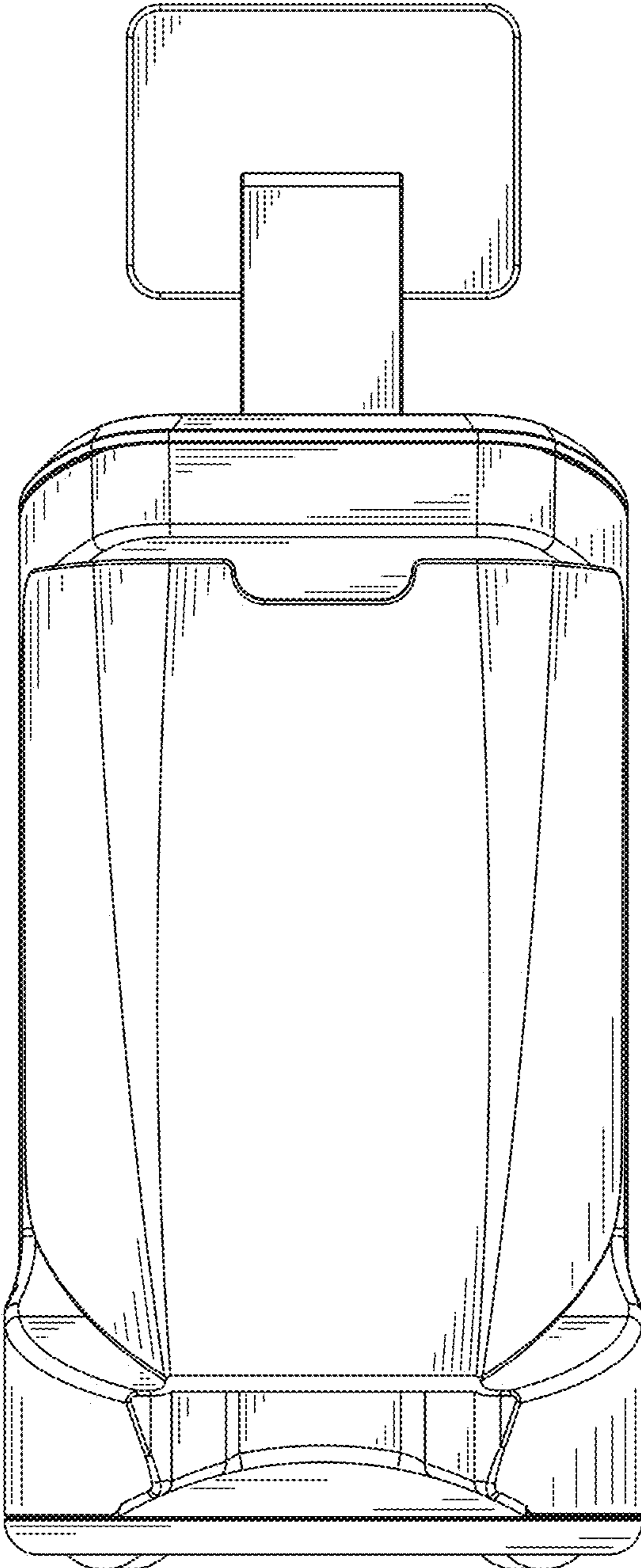


FIG. 4

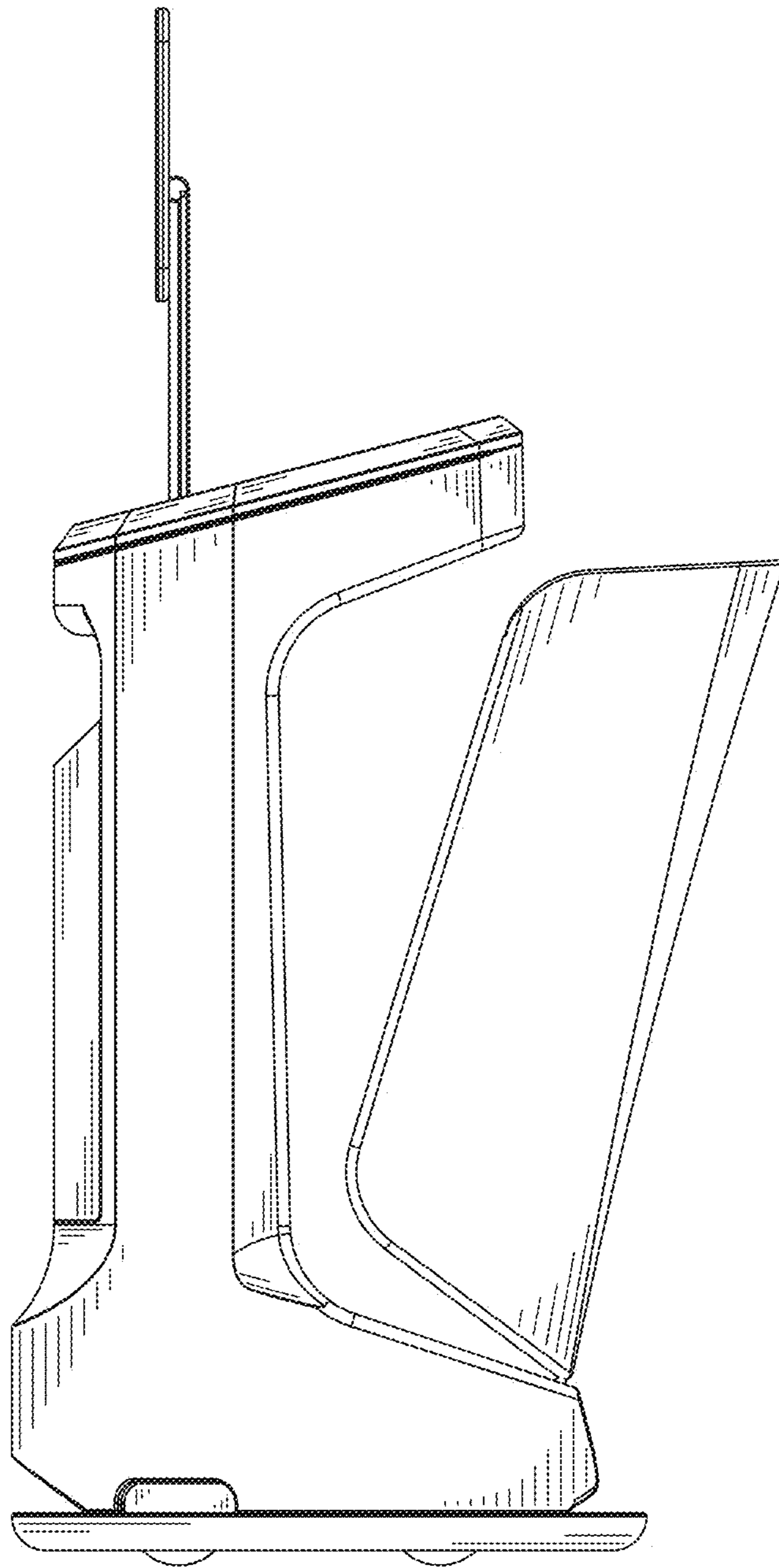


FIG. 5

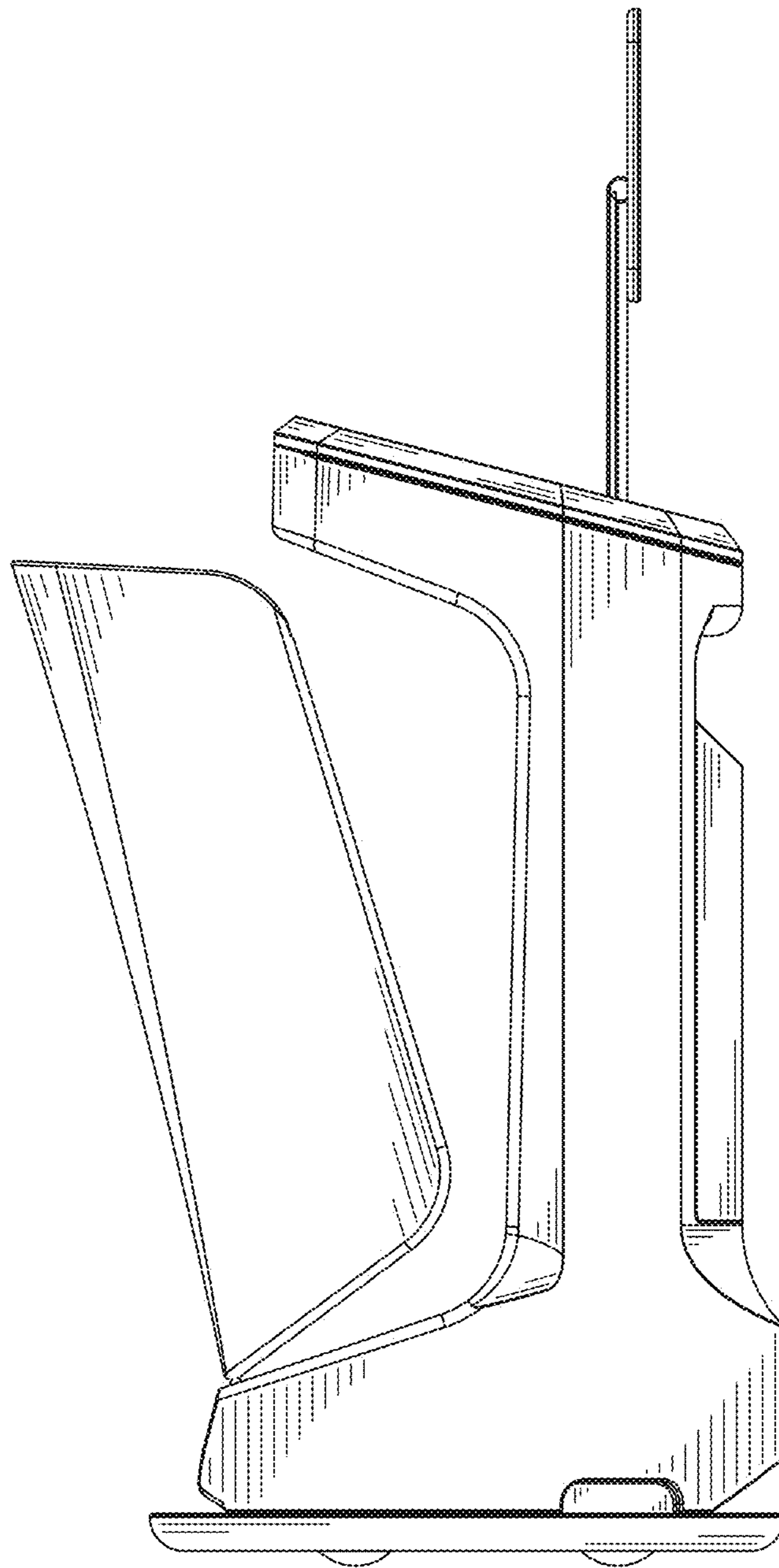


FIG. 6

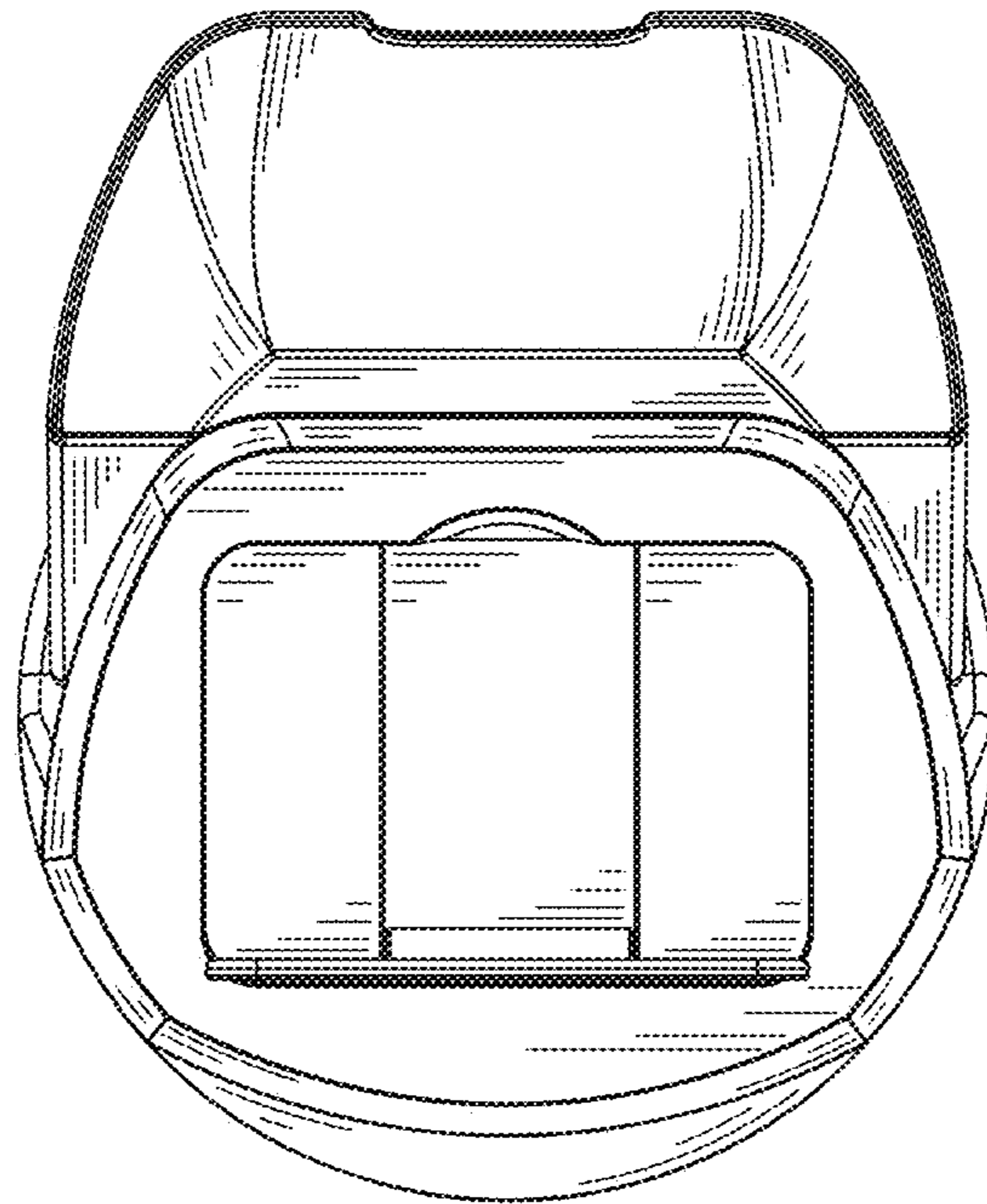


FIG. 7

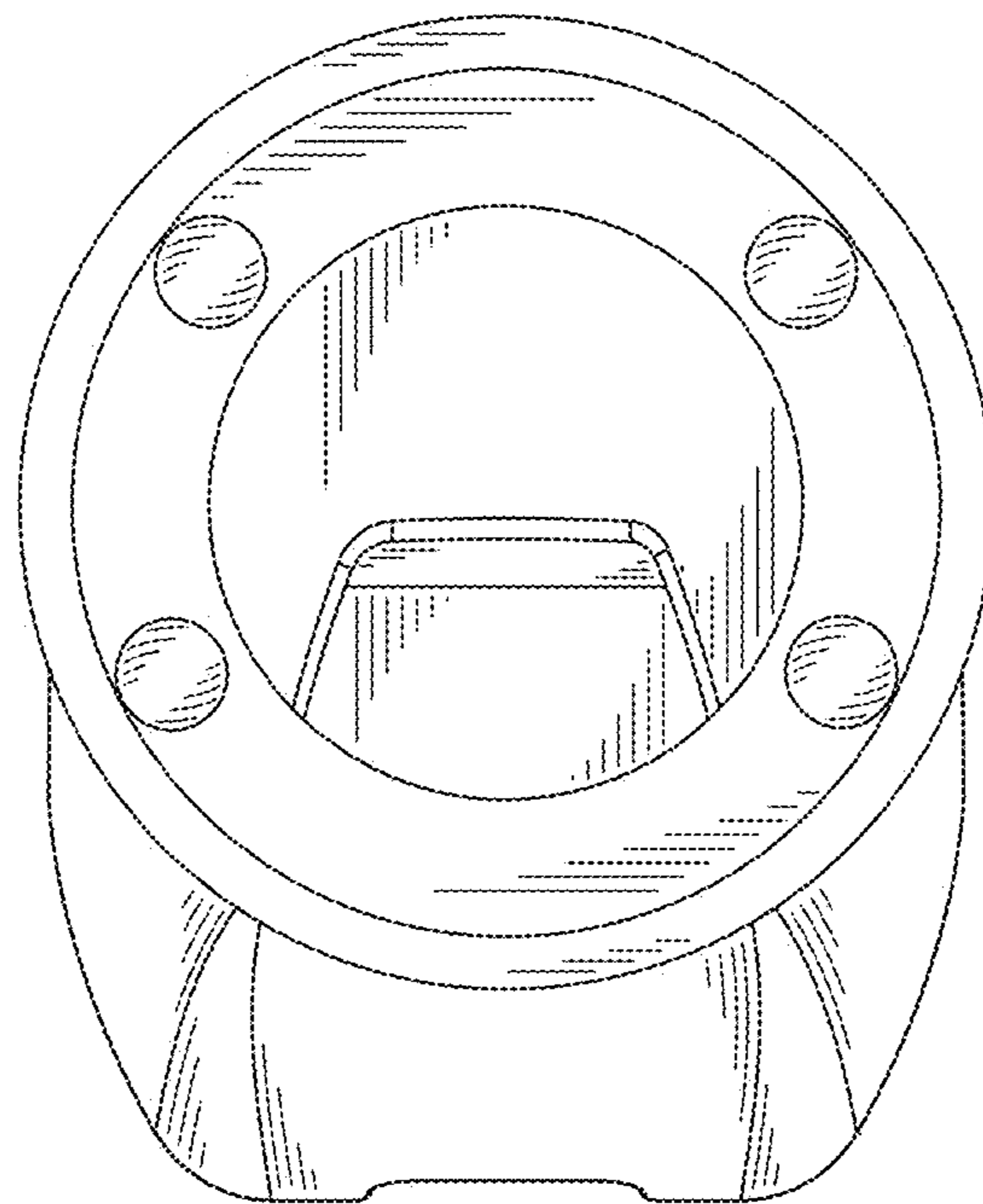


FIG. 8

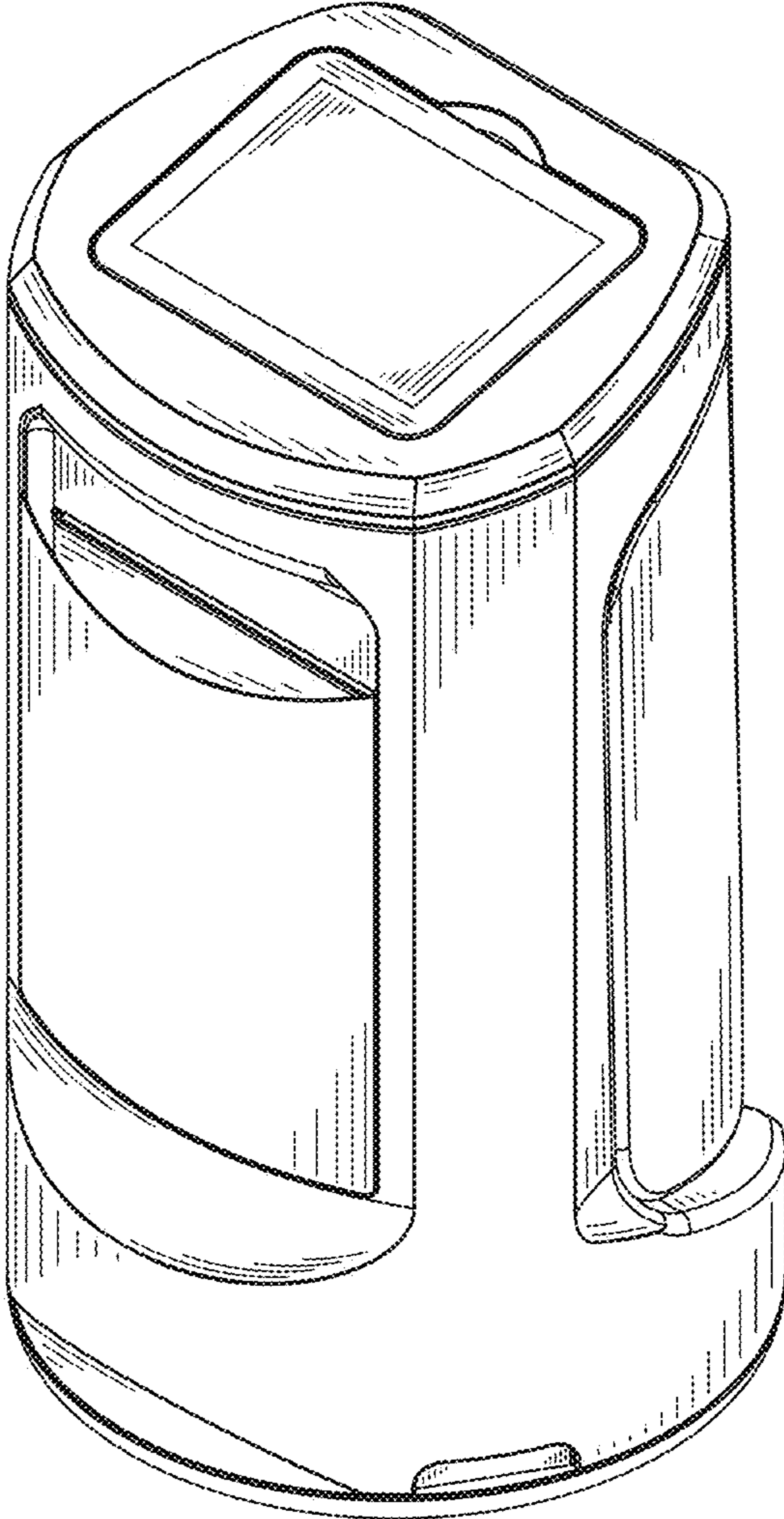


FIG. 9

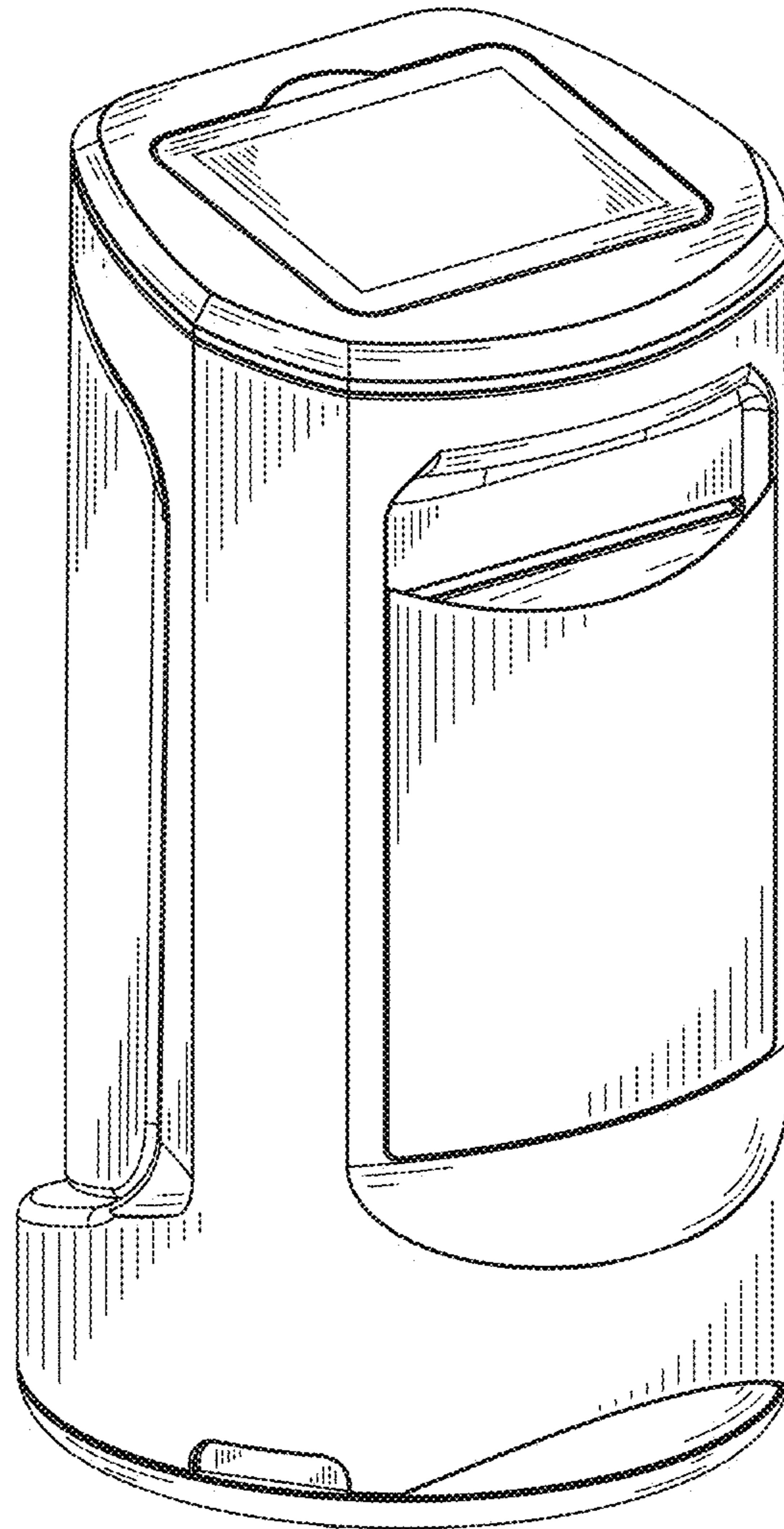


FIG. 10

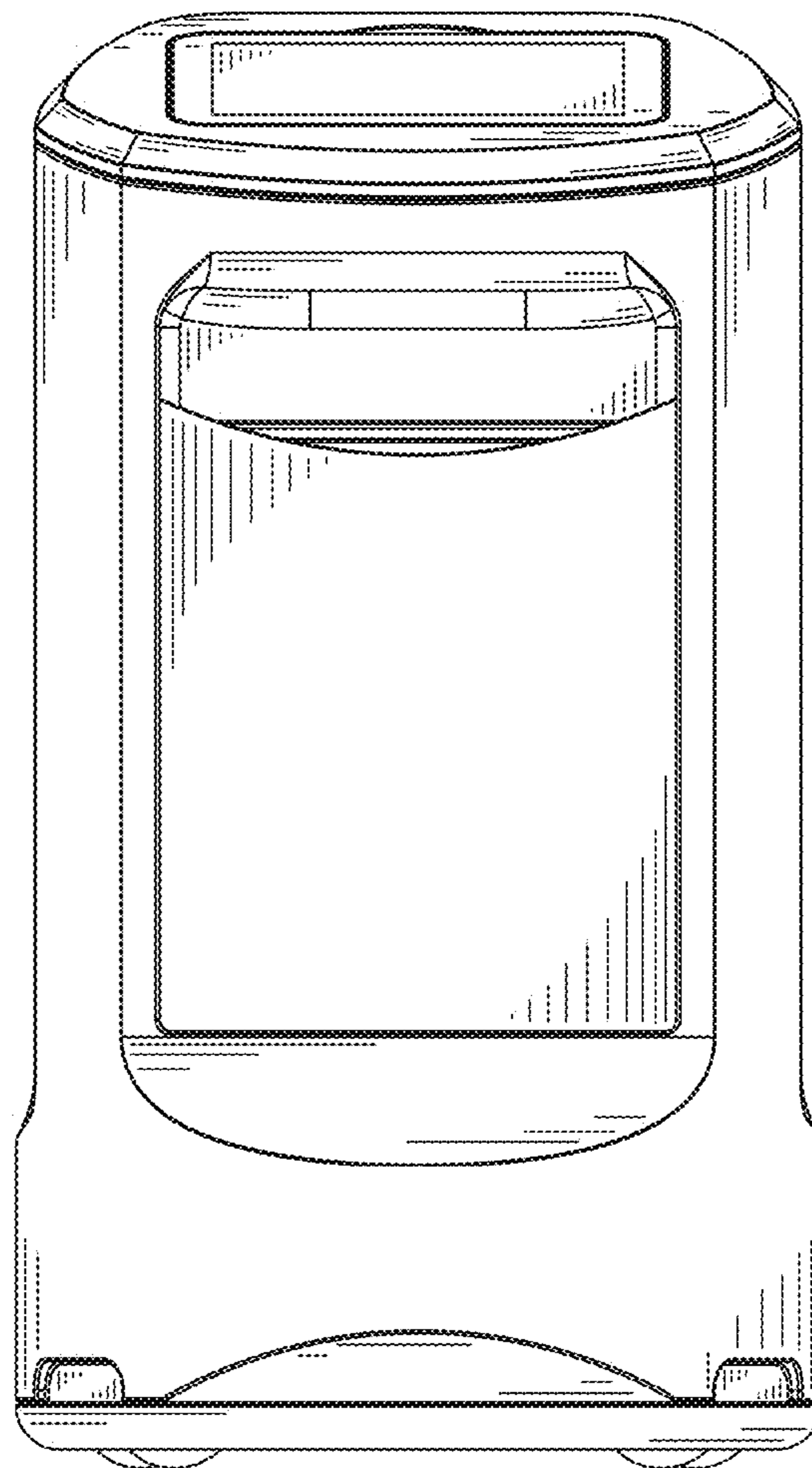


FIG. 11

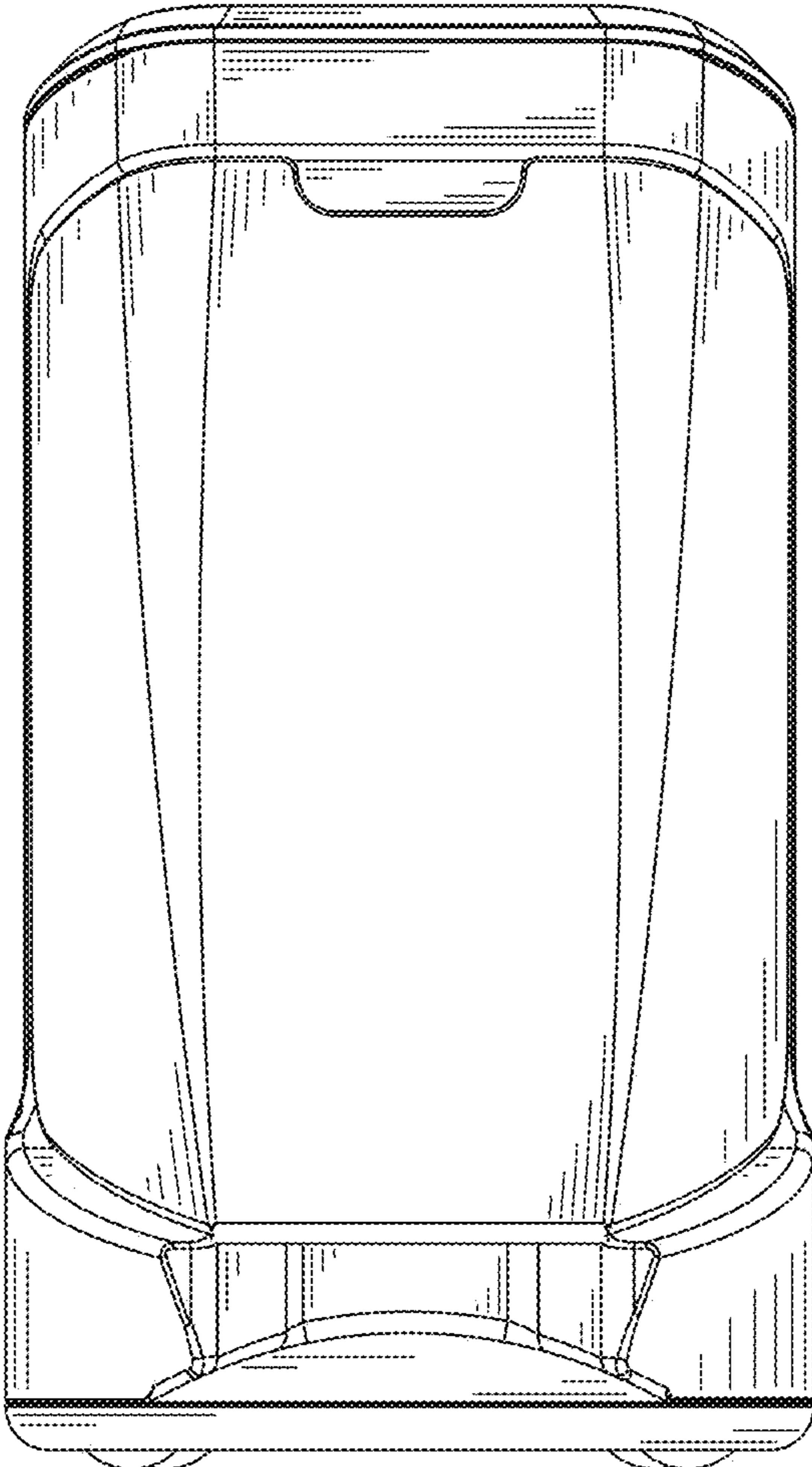


FIG. 12

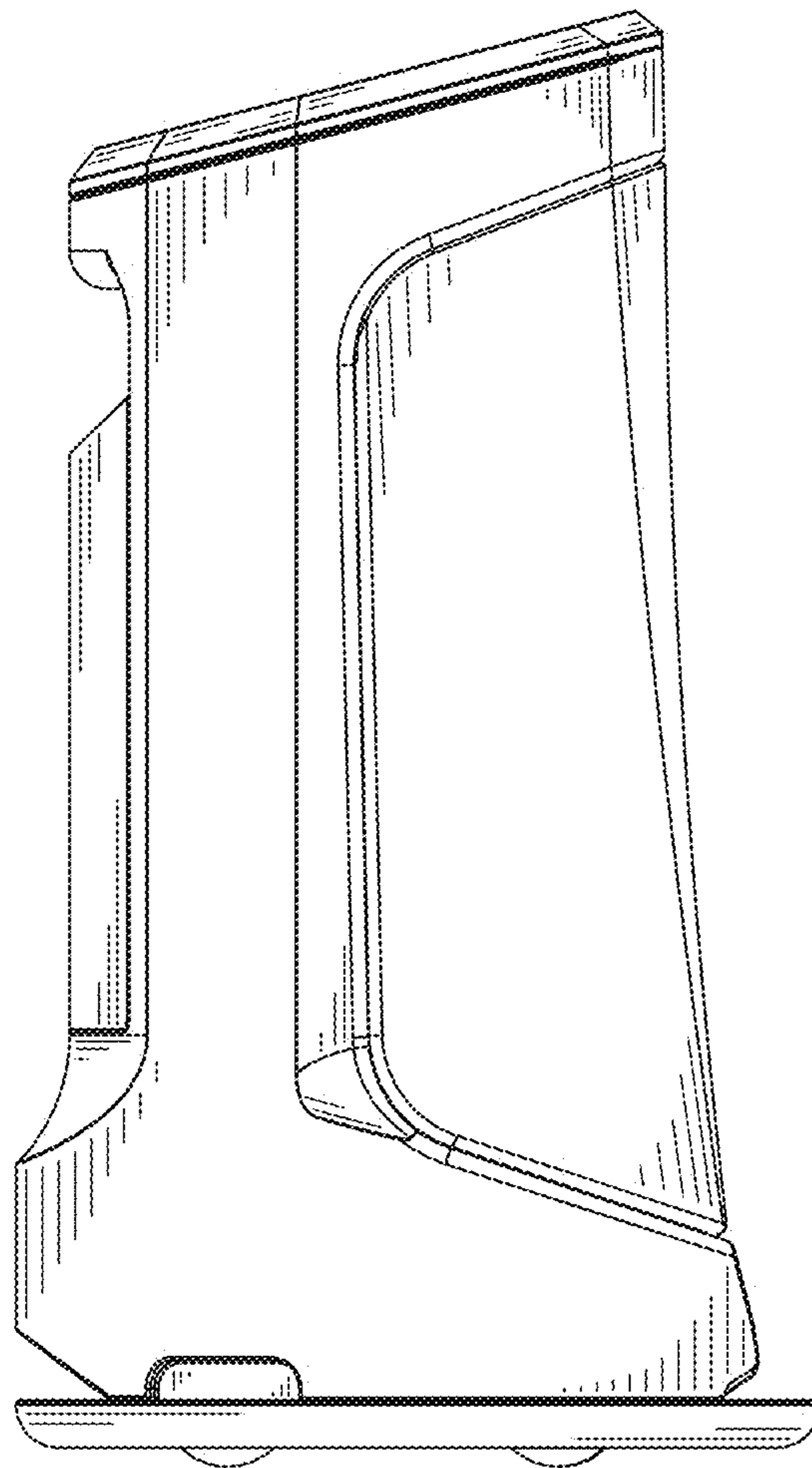


FIG. 13

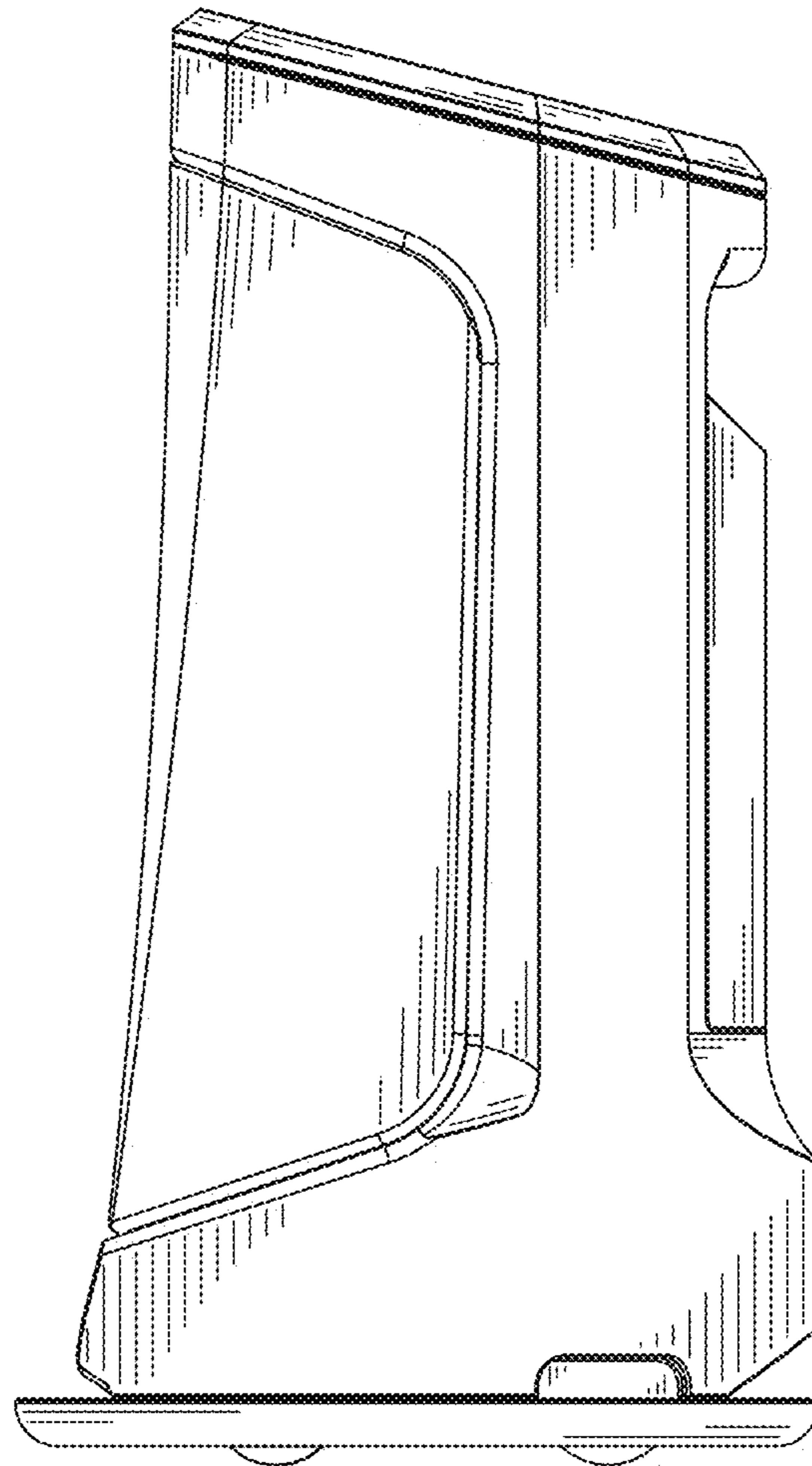


FIG. 14

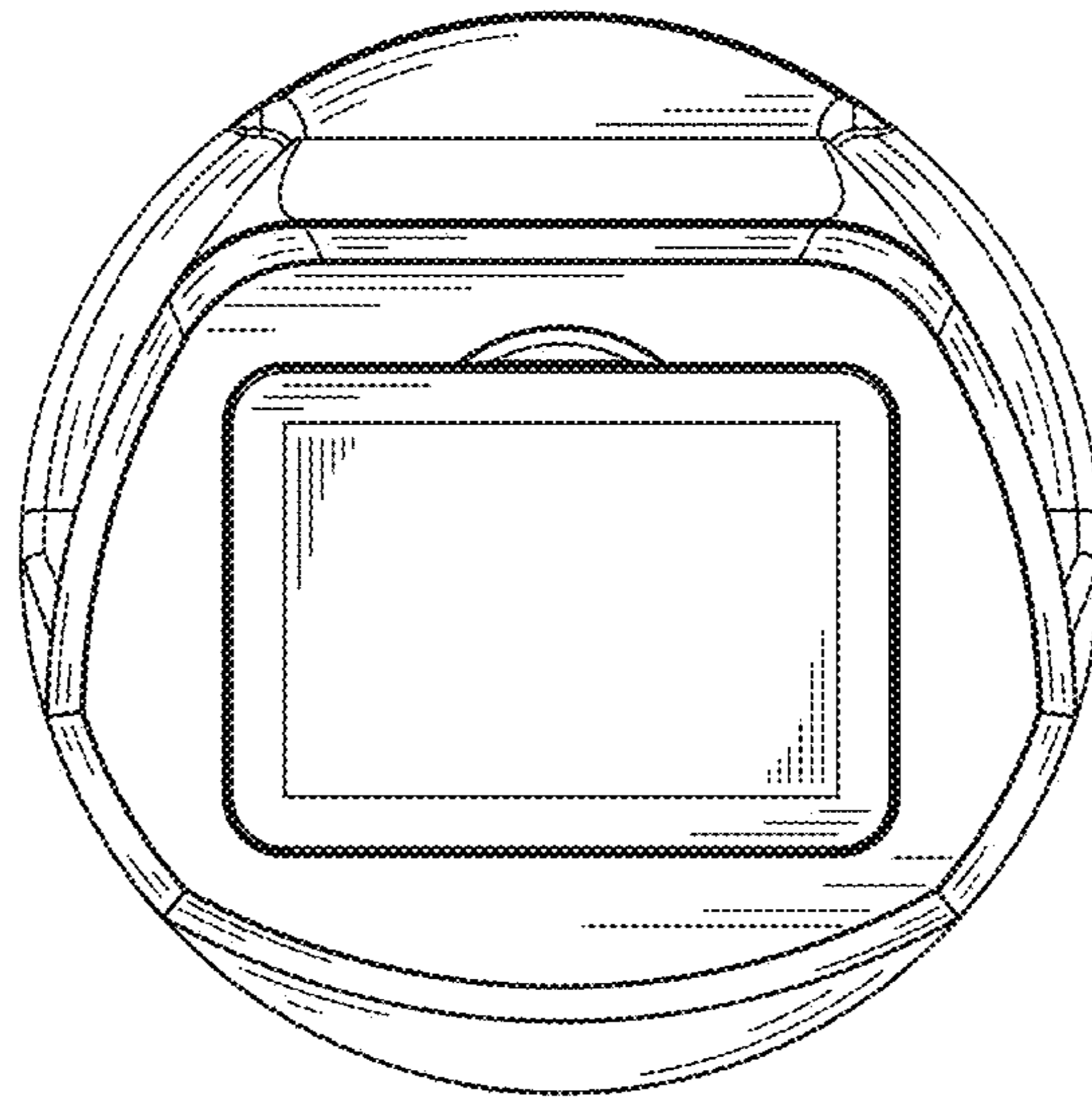


FIG. 15

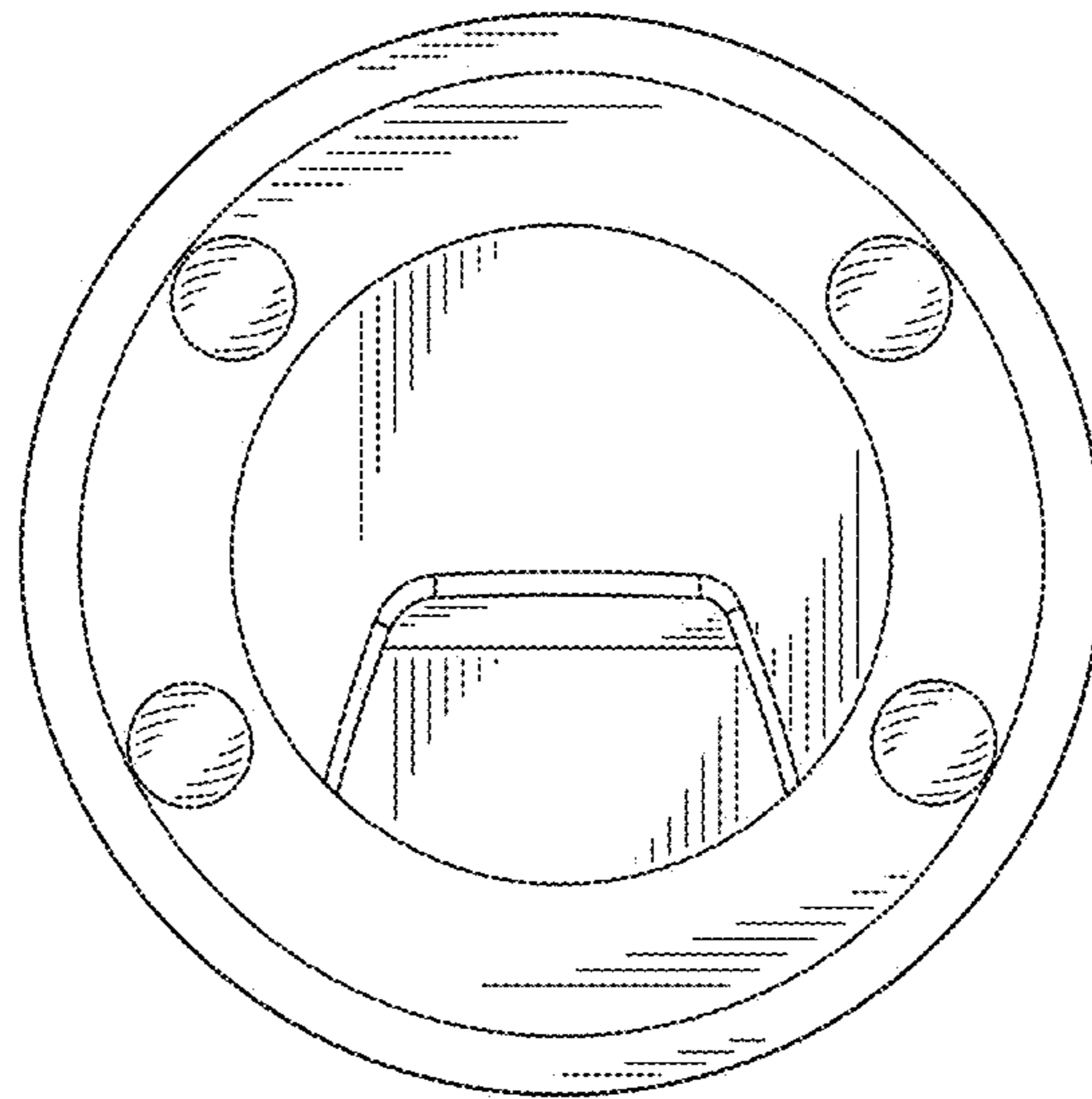


FIG. 16

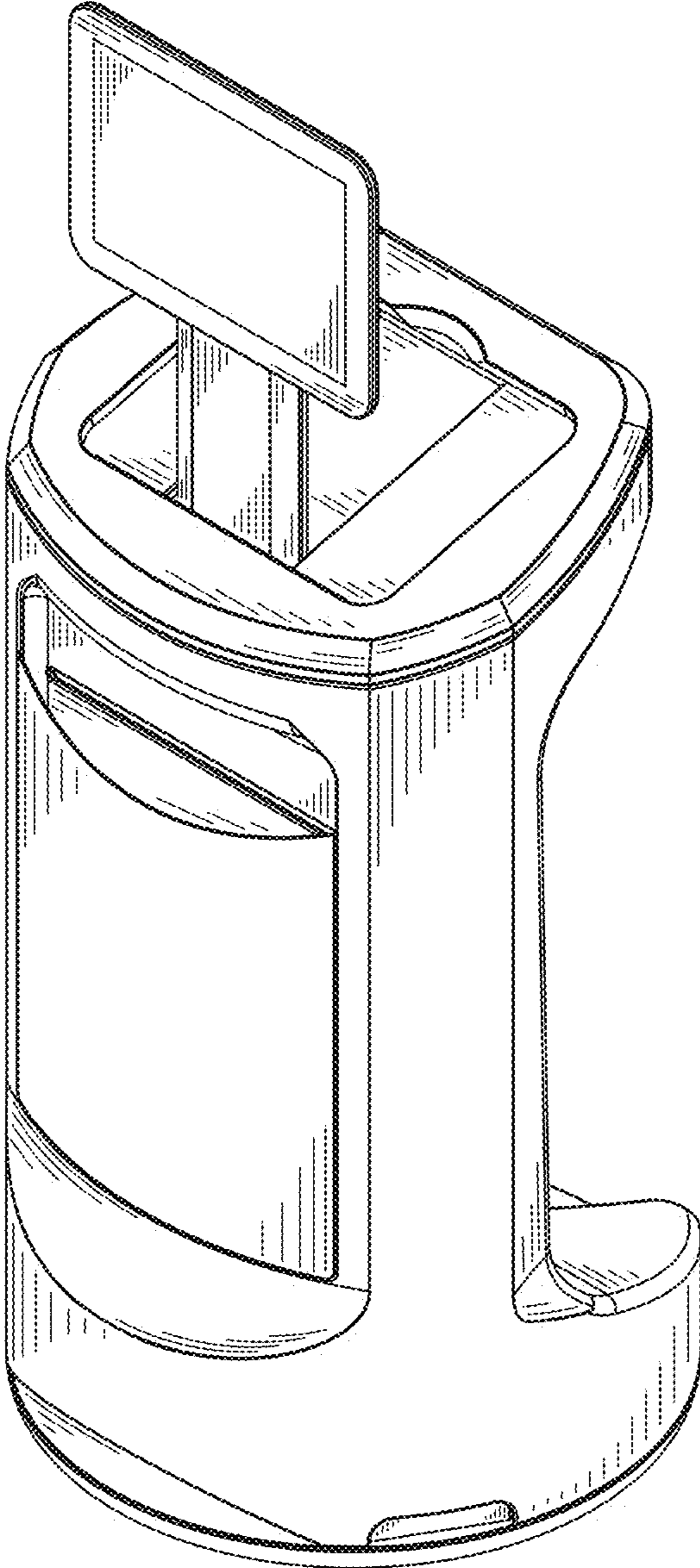


FIG. 17

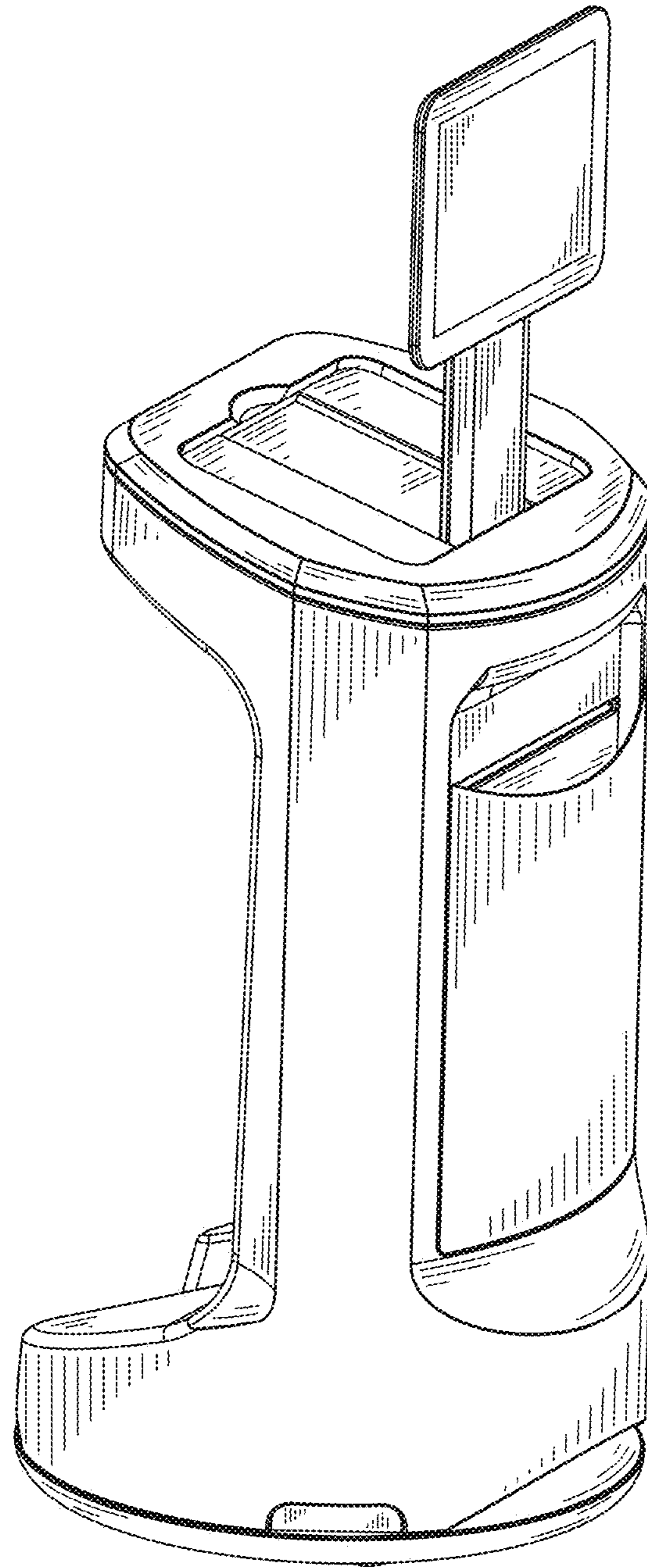


FIG. 18

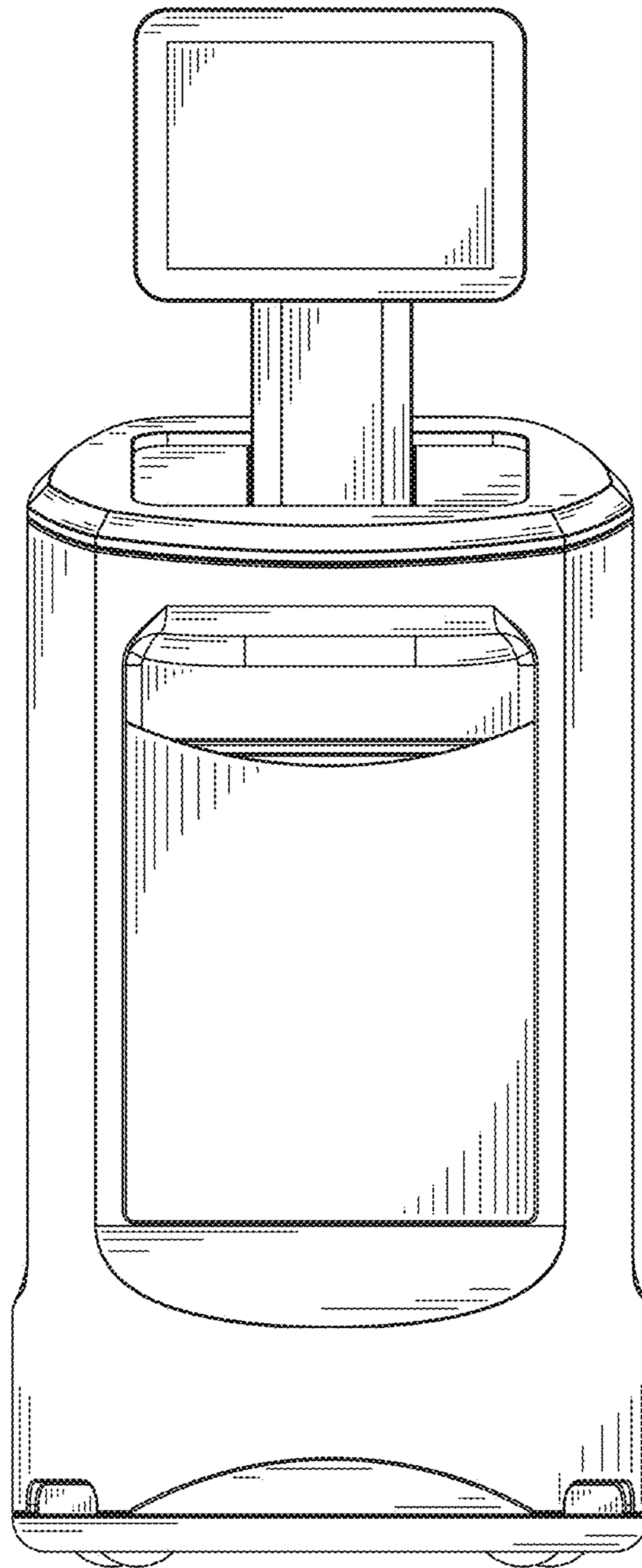


FIG. 19

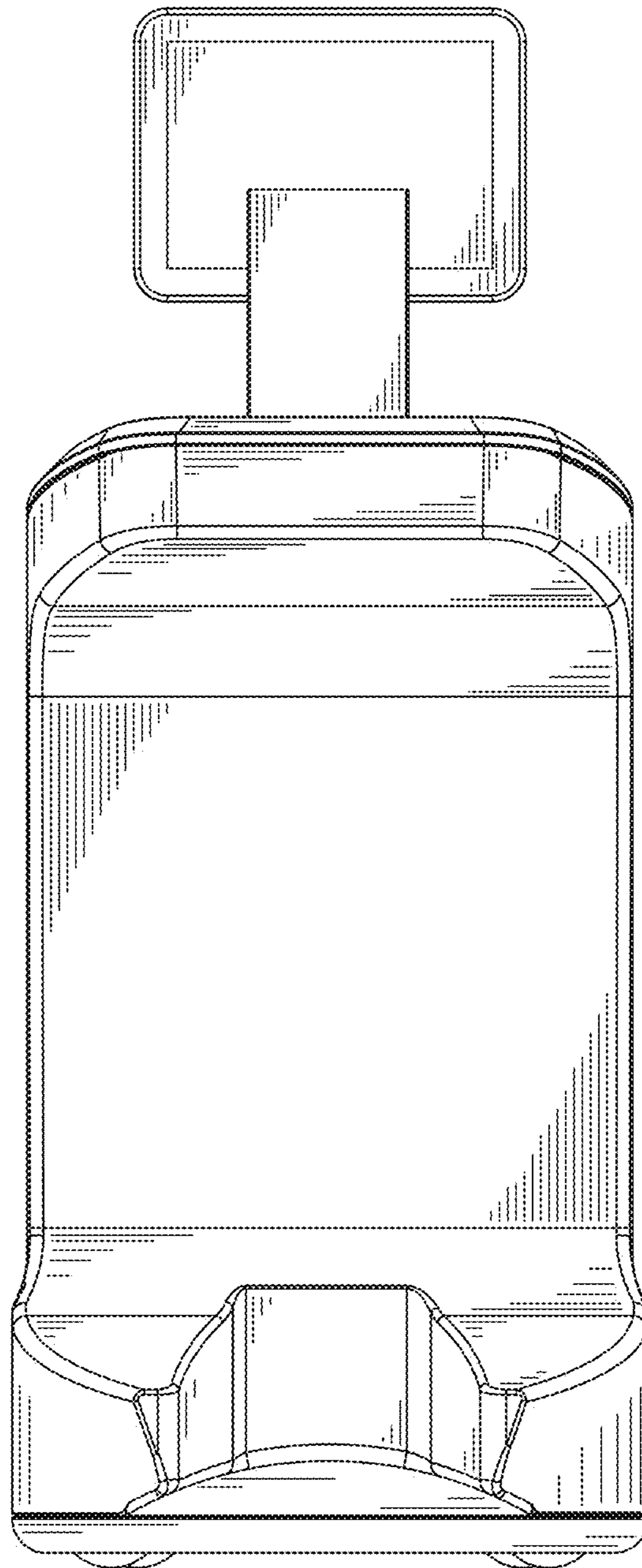


FIG. 20

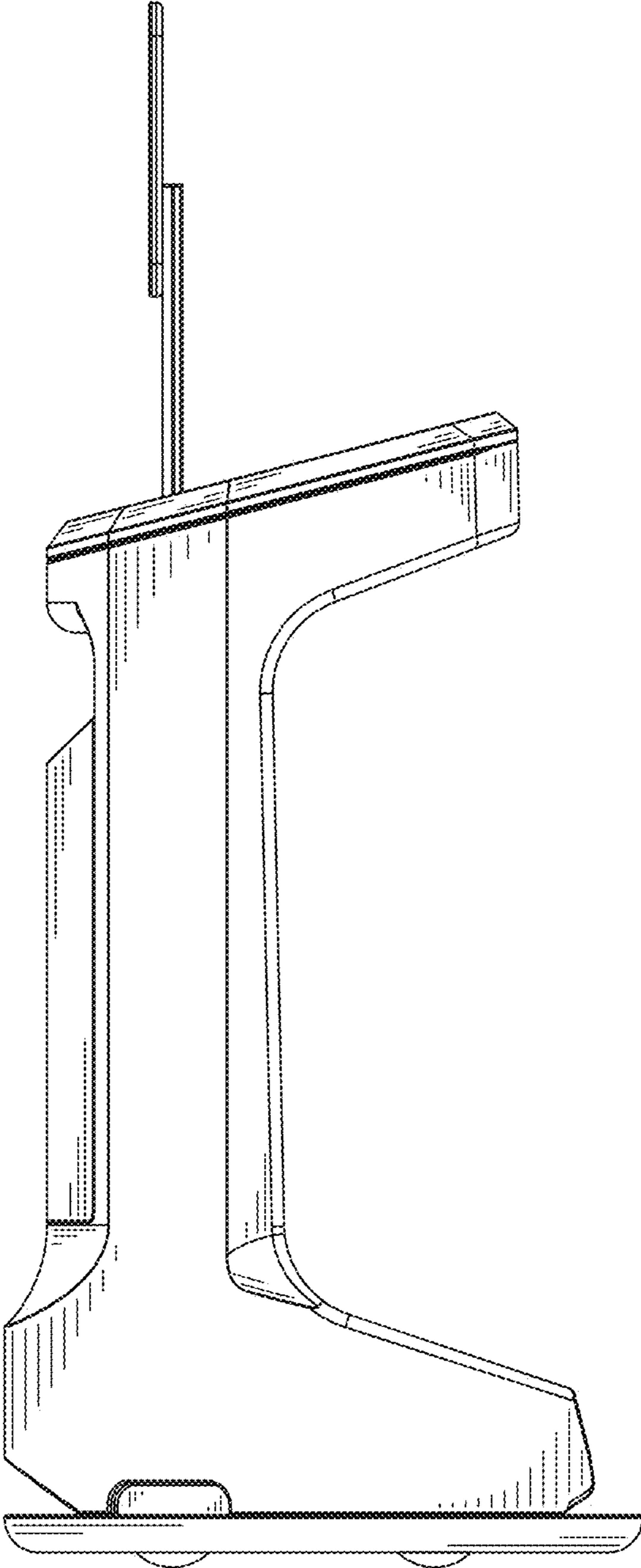


FIG. 21

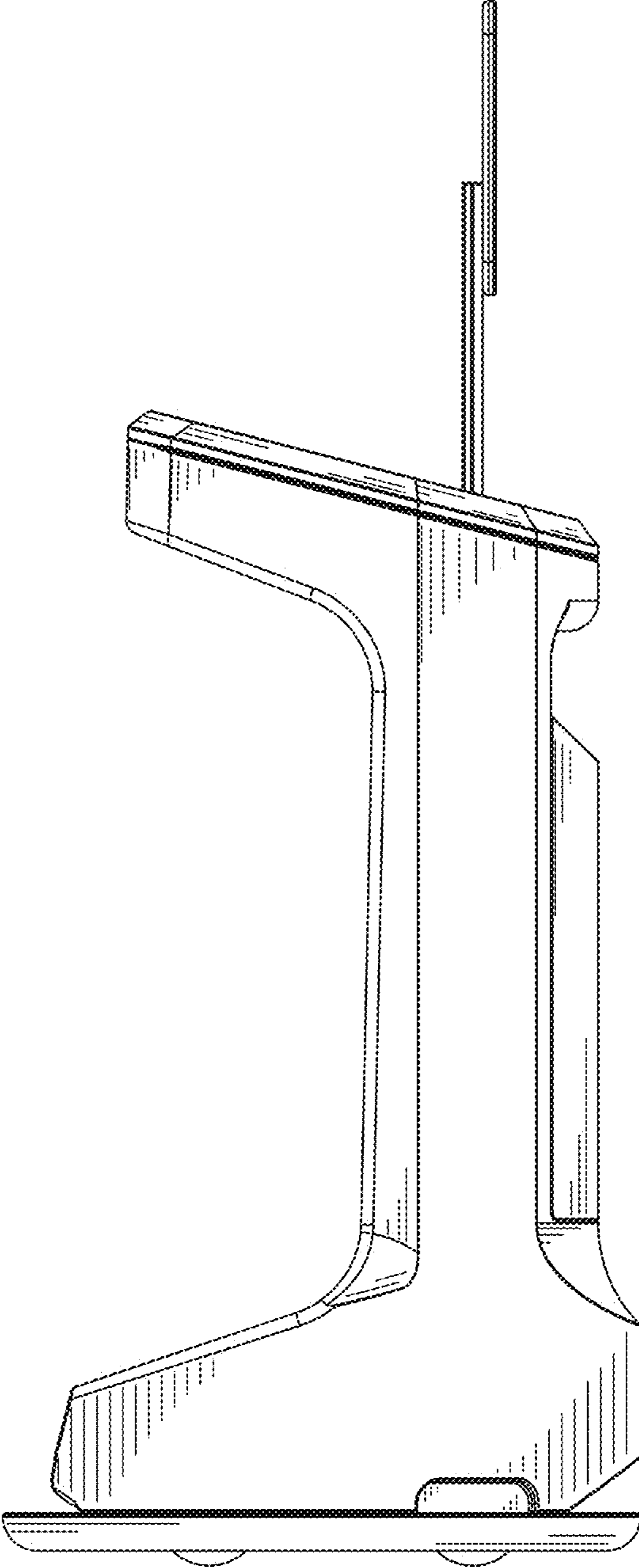


FIG. 22

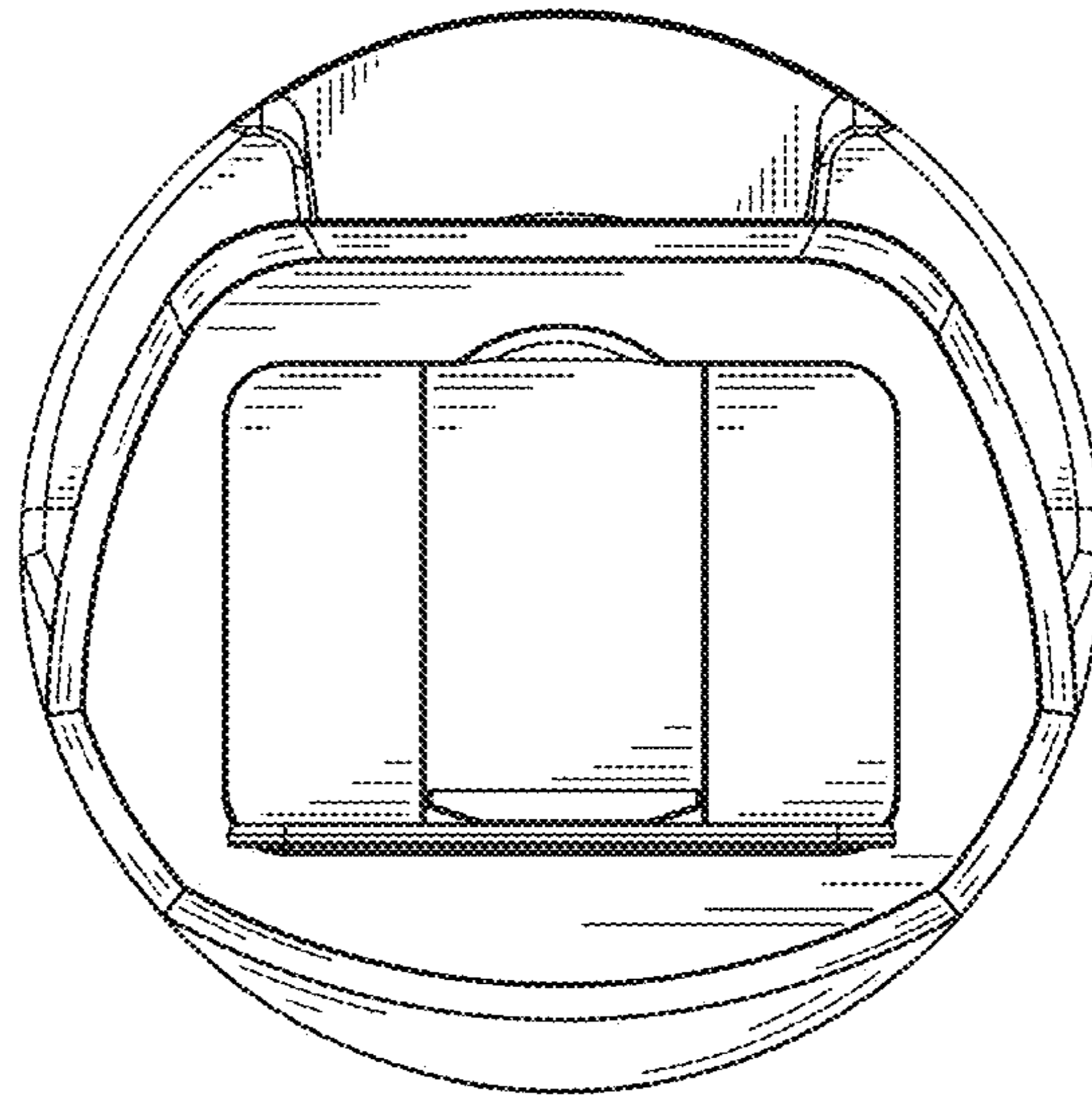


FIG. 23

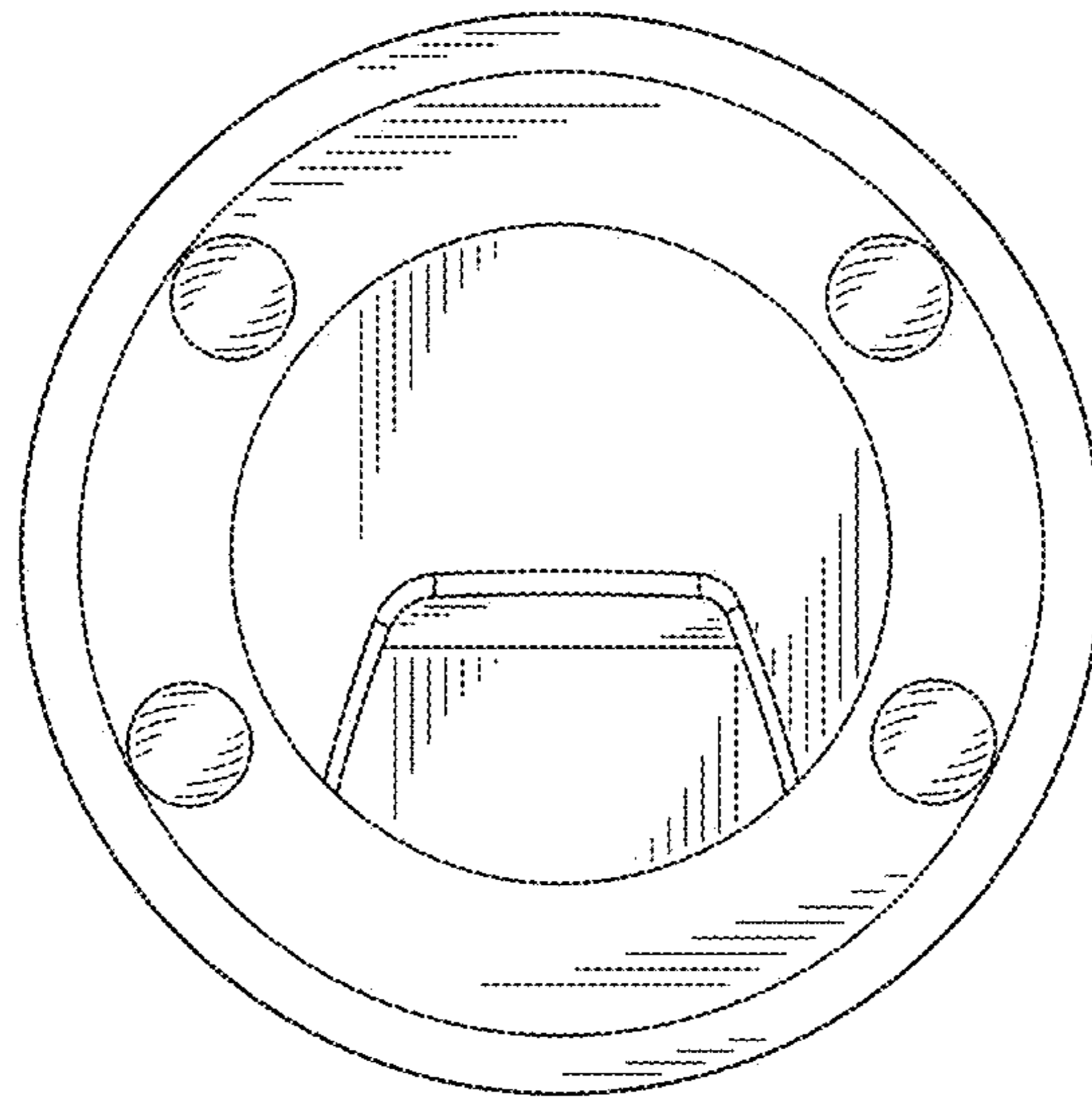


FIG. 24

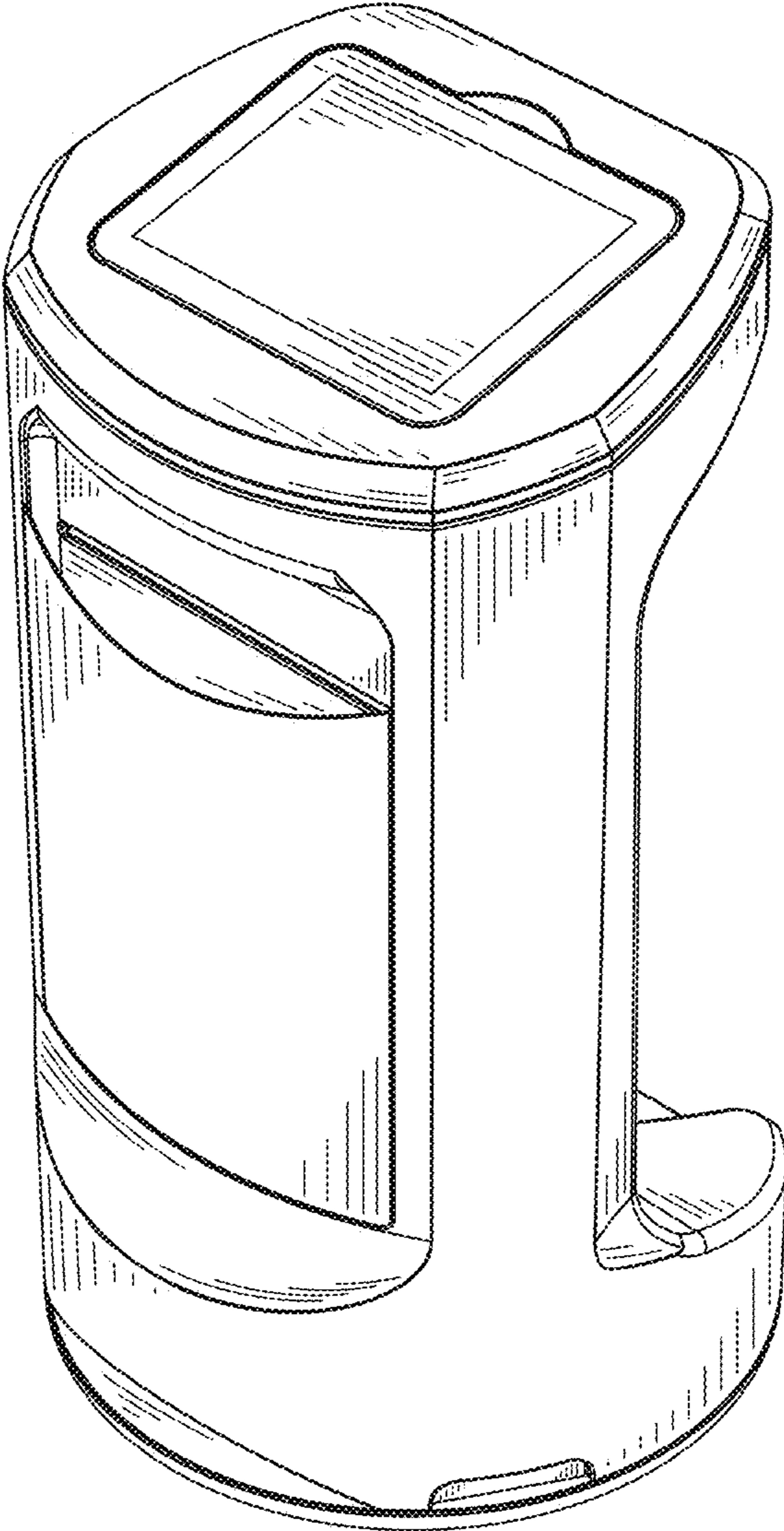


FIG. 25

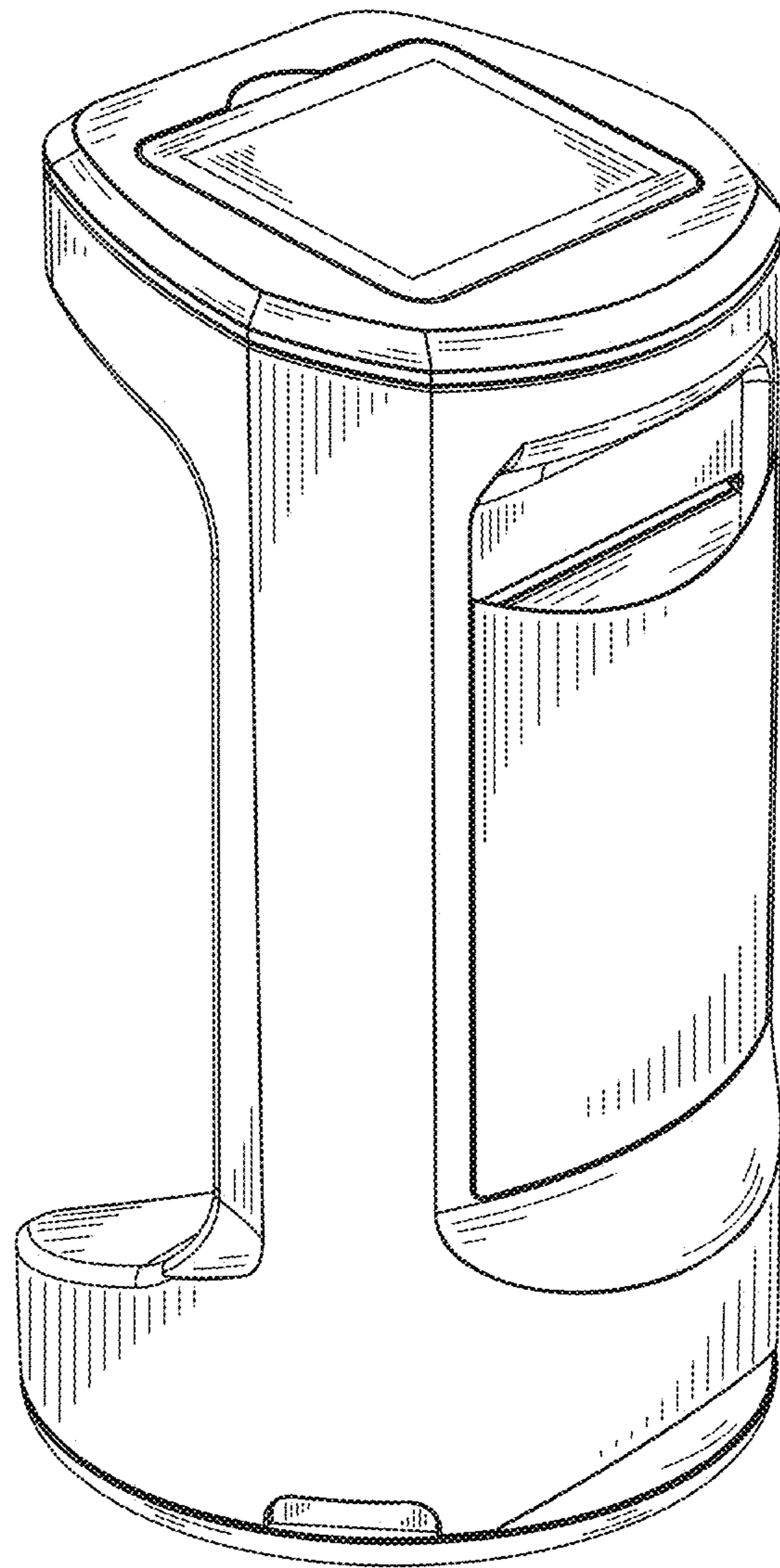


FIG. 26

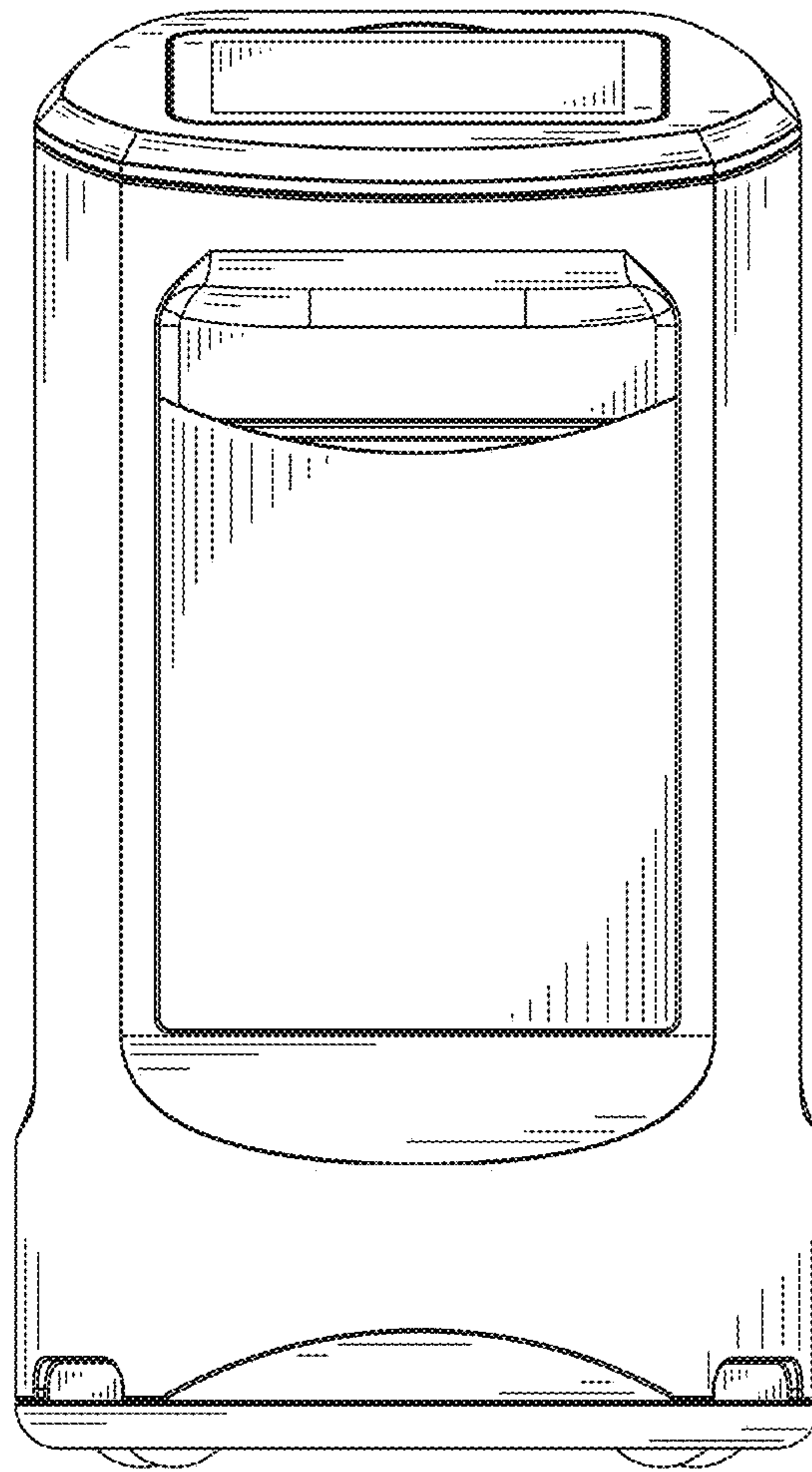


FIG. 27

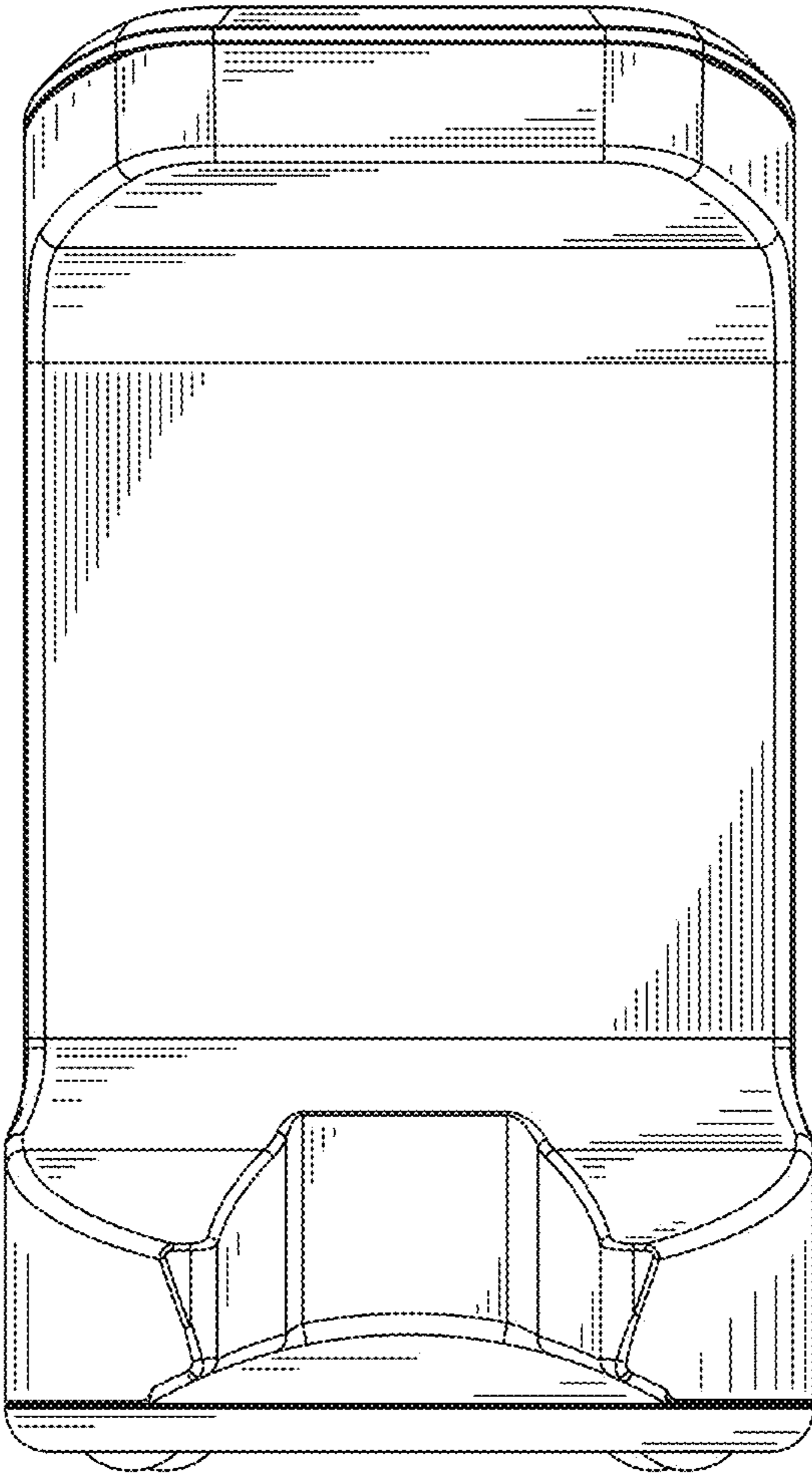


FIG. 28

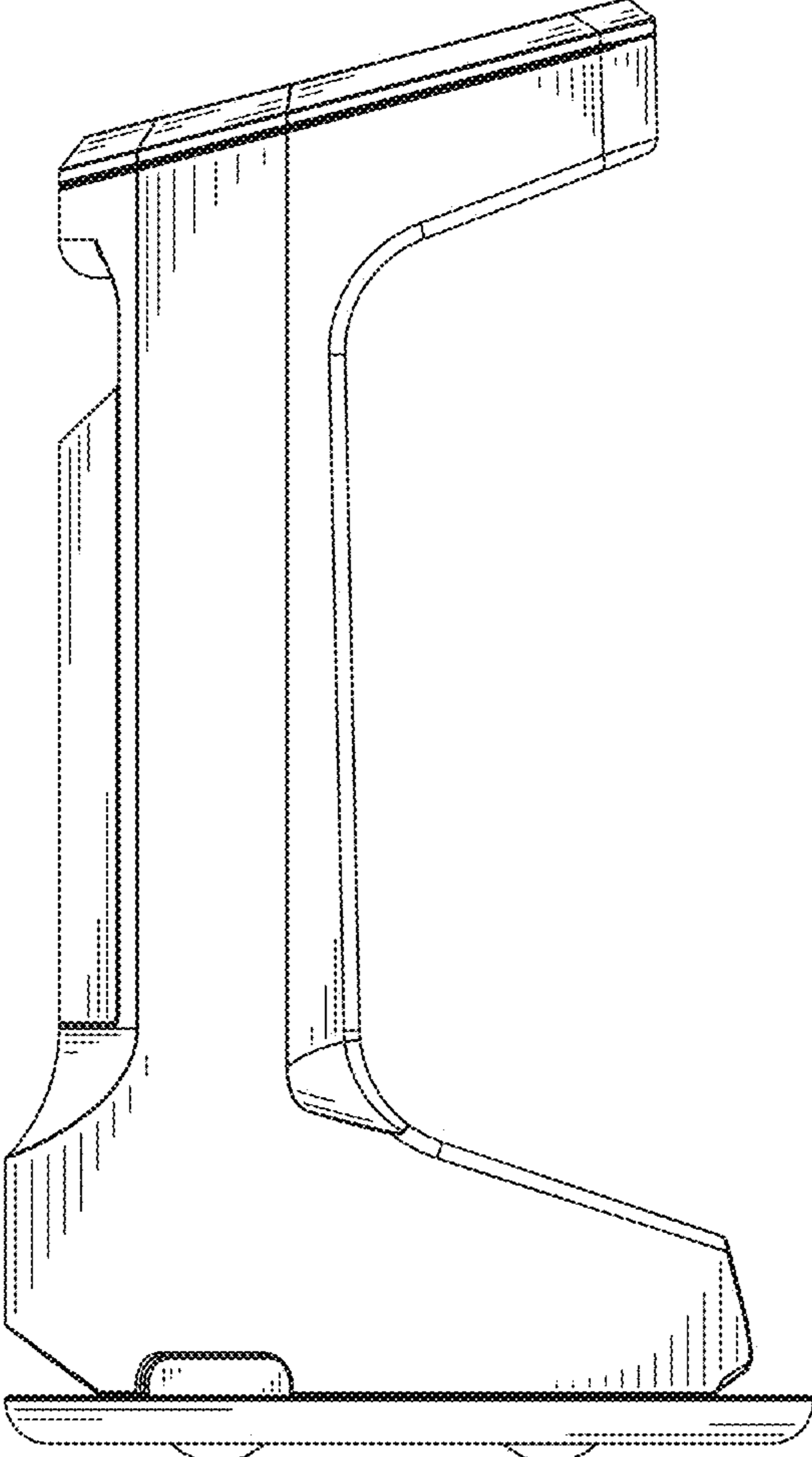


FIG. 29

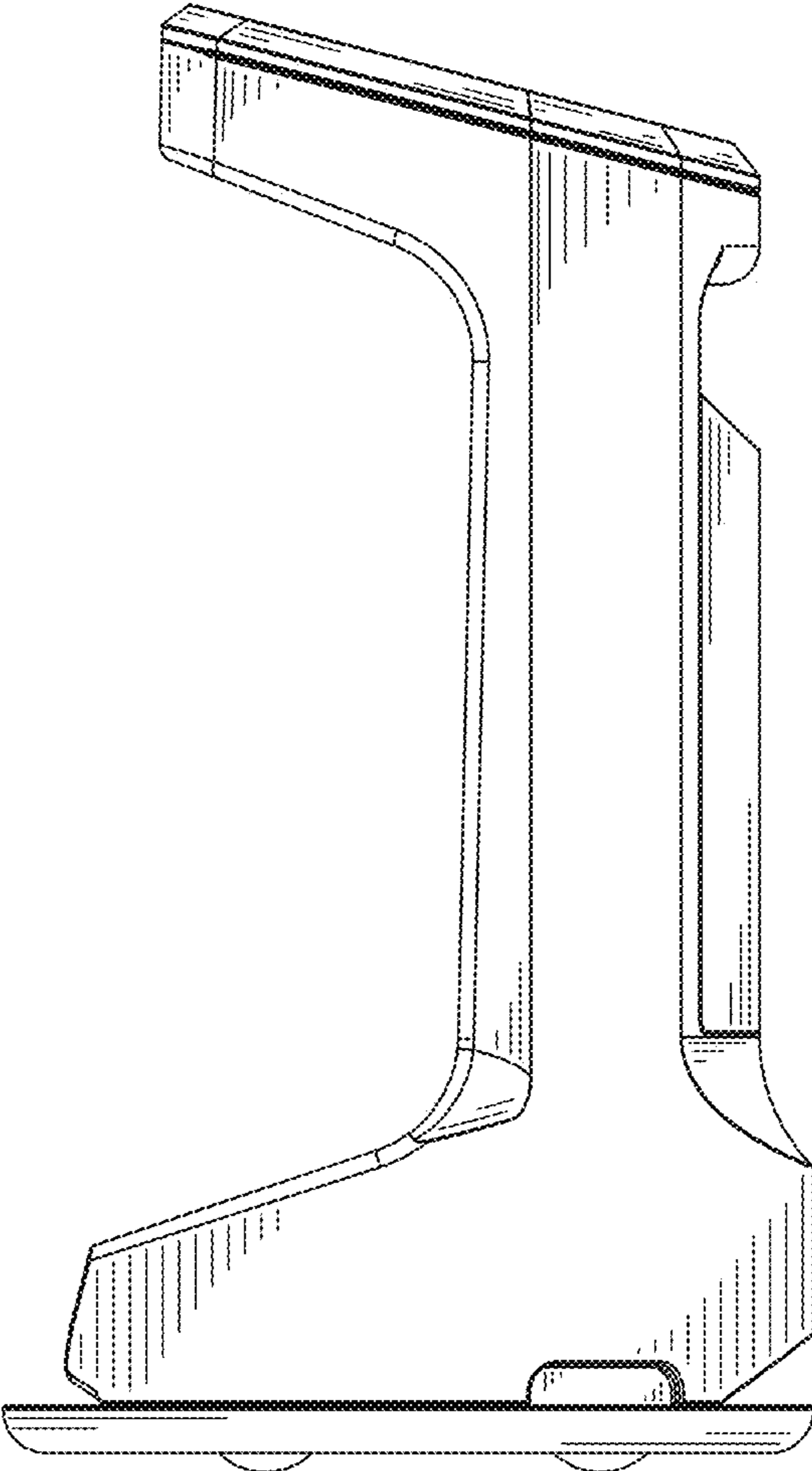


FIG. 30

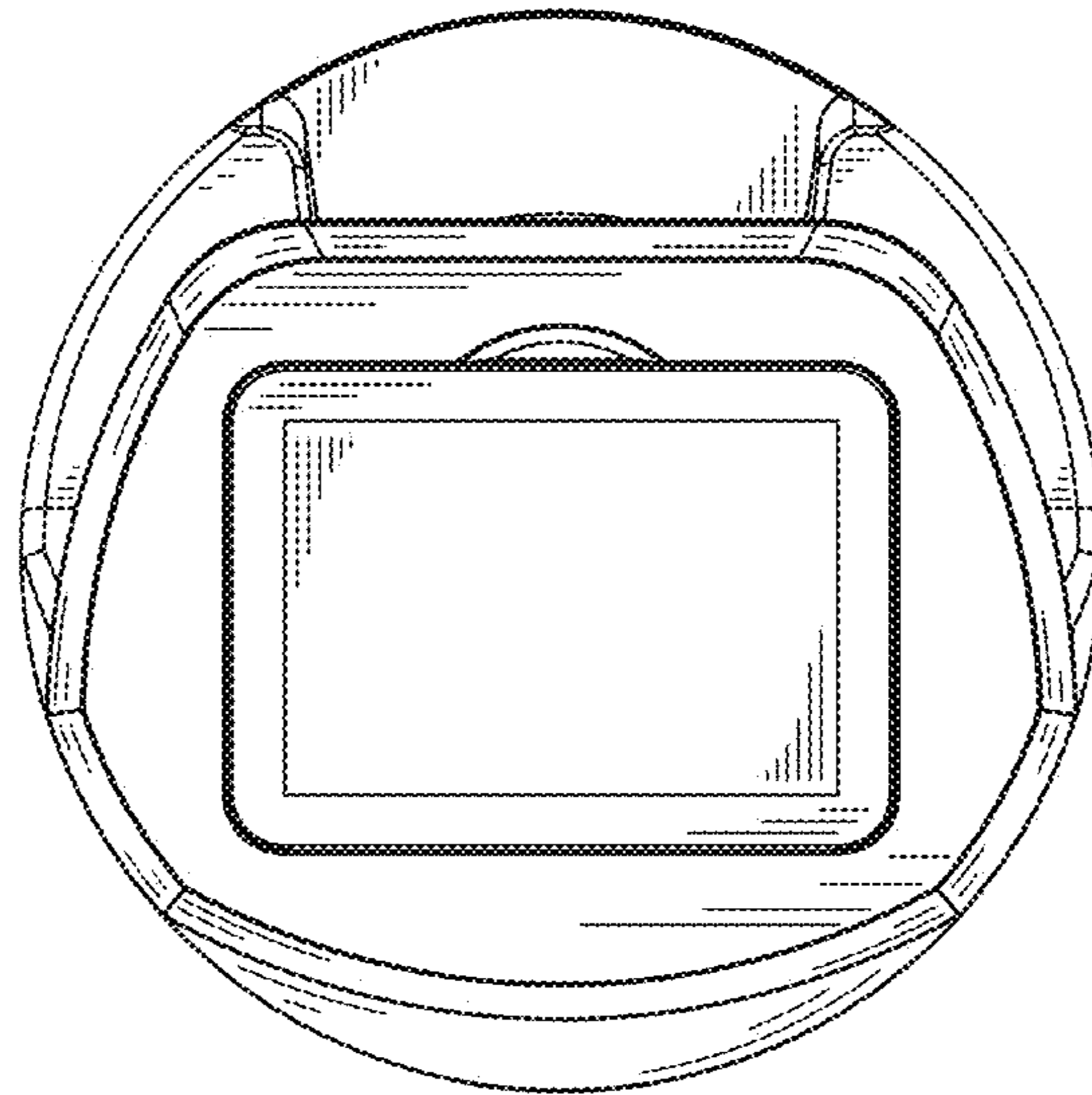


FIG. 31

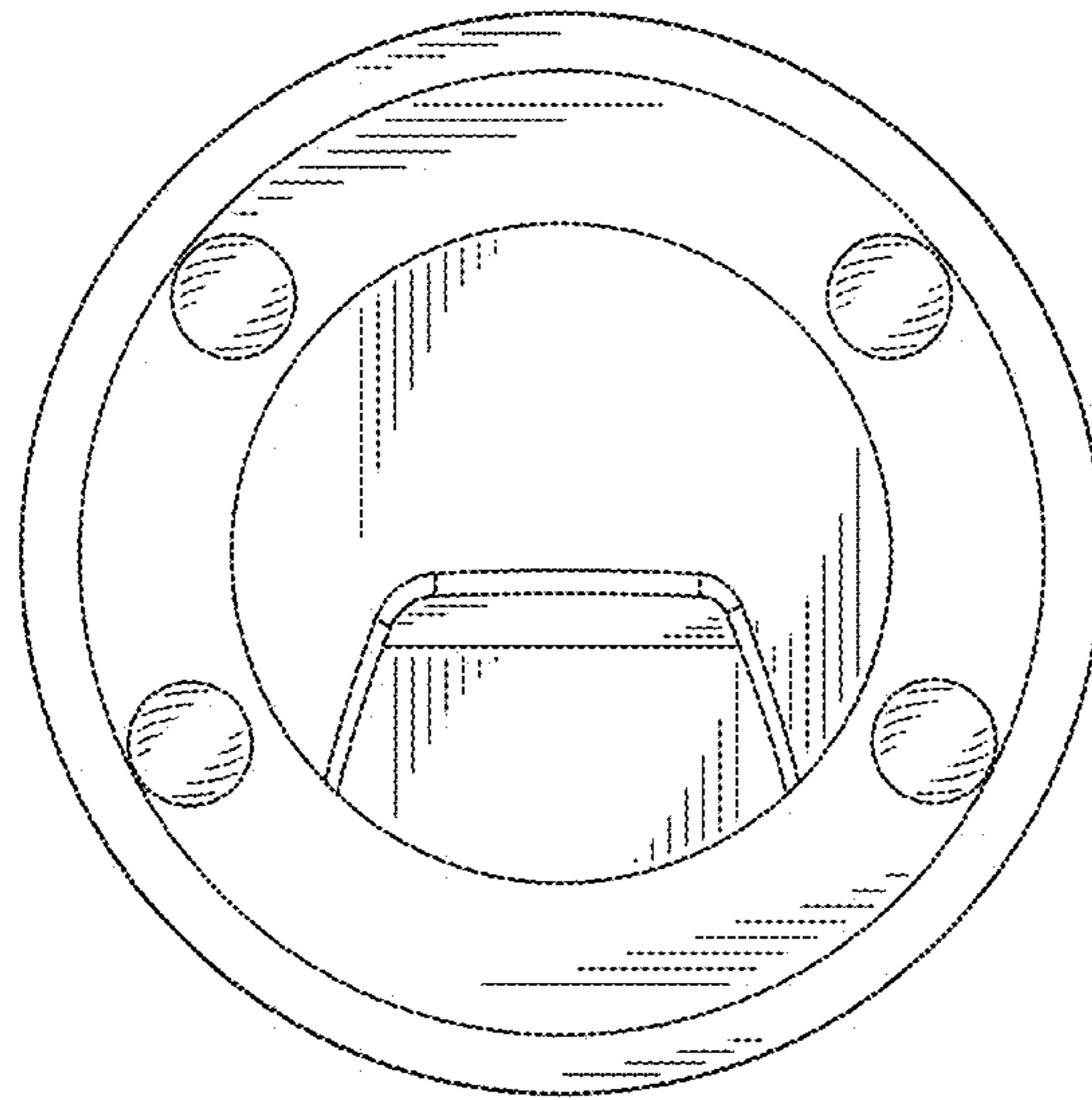


FIG. 32