



US00D968503S

(12) **United States Design Patent** (10) **Patent No.:** **US D968,503 S**
Chen (45) **Date of Patent:** **** Nov. 1, 2022**

(54) **PROJECTOR SCREEN WITH STAND**

(71) Applicant: **TRICOLOR TELEVISION TECHNOLOGY (SHENZHEN) CO., LTD.**, Shenzhen (CN)

(72) Inventor: **Xiaojun Chen**, Tongren (CN)

(73) Assignee: **Tricolor Television Technology (Shenzhen) Co., Ltd.**, Shenzhen (CN)

(**) Term: **15 Years**

(21) Appl. No.: **29/733,840**

(22) Filed: **May 7, 2020**

(51) **LOC (13) Cl.** **16-05**

(52) **U.S. Cl.**
USPC **D16/241**

(58) **Field of Classification Search**

USPC D16/219, 237-250; D14/229, 238, 251, D14/253, 447, 451, 457; D8/354, 355, D8/363, 373, 382-383, 394-396

CPC A45F 2200/0508-0533; A45F 5/00; A45F 5/10; A47G 5/00; F16M 11/06-10; F16M 11/14; G02B 7/00-002; G03B 17/56; G03B 17/561-566; G03B 21/58; H04N 5/2253-2254

See application file for complete search history.

(56) **References Cited**

U.S. PATENT DOCUMENTS

2,533,324 A * 12/1950 Mendle A47G 25/0664 211/206
2,793,764 A * 5/1957 Stork A47F 7/24 403/230

(Continued)

FOREIGN PATENT DOCUMENTS

CN 305473212 * 12/2019
CN 306496272 * 4/2021

(Continued)

OTHER PUBLICATIONS

Projector Screen with Stand, product available Oct. 19, 2021 [online], pictured review Jun. 9, 2022 [online], [site visited Jun. 9, 2022]:URL:<https://www.amazon.com/gp/product/B09JSP7B6N/ref=sw_img_1?smid=A3RDH6LZHDH231&psc=1> (Year: 2021).*

(Continued)

Primary Examiner — Bao-Yen T Nguyen

Assistant Examiner — Loryn K. Leblanc

(74) *Attorney, Agent, or Firm* — Georgi Korobanov

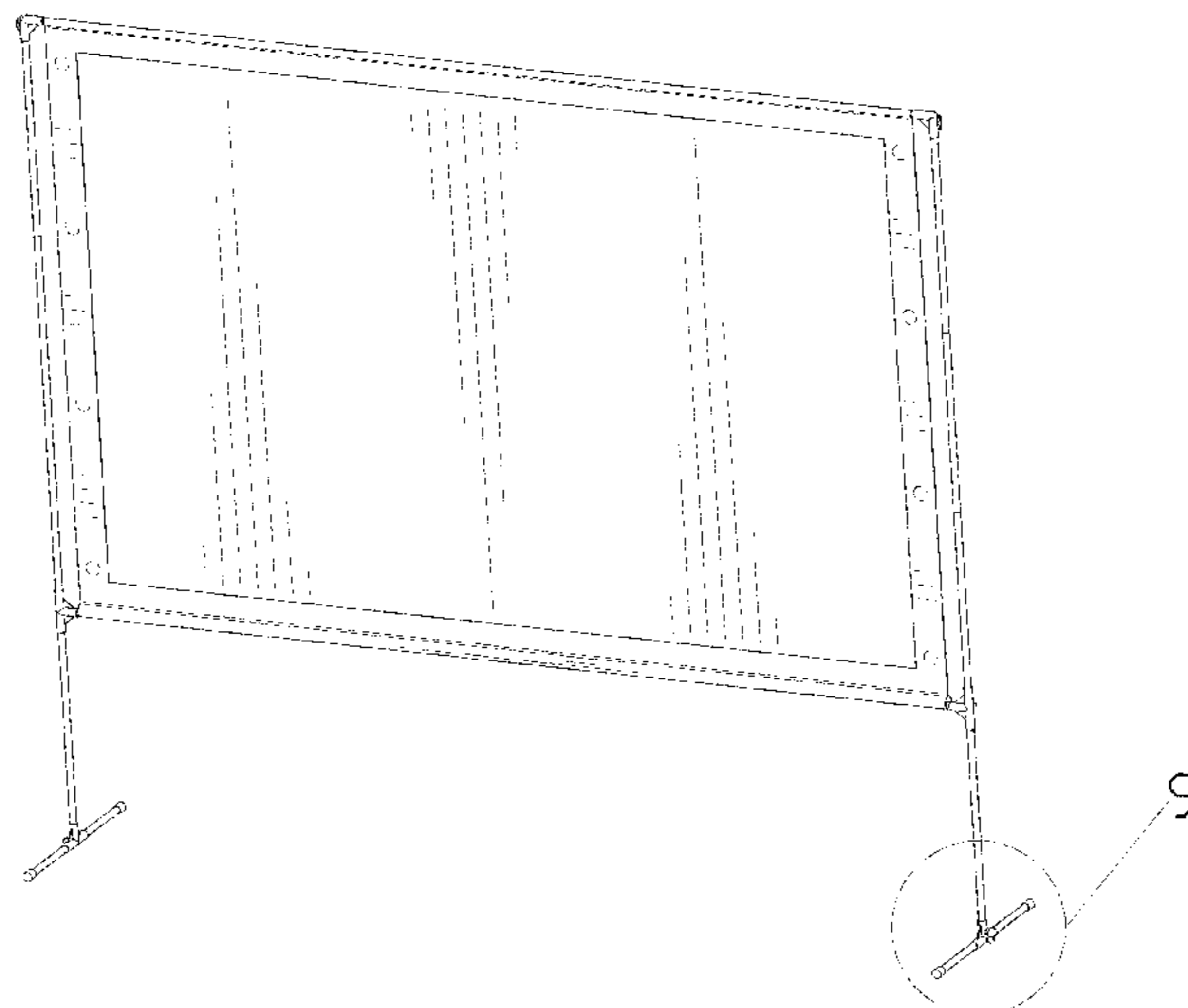
(57) **CLAIM**

The ornamental design for a projector screen with stand, as shown and described.

DESCRIPTION

FIG. 1 is a perspective view of a projector screen with stand showing my new design;
FIG. 2 is another perspective view thereof;
FIG. 3 is a front elevational view thereof;
FIG. 4 is a rear elevational view thereof;
FIG. 5 is a left side elevational view thereof;
FIG. 6 is a right side elevational view thereof;
FIG. 7 is a top plan view thereof;
FIG. 8 is a bottom plan view thereof;
FIG. 9 is an enlarged view of portion 9 shown in FIG. 1;
FIG. 10 is an enlarged view of portion 10 shown in FIG. 2; and,
FIG. 11 is an enlarged view of portion 11 shown in FIG. 2.
The broken lines in the drawings depict portions of the projector screen with stand that form no part of the claimed design. The dash dot dash broken lines in FIG. 1, FIG. 2, FIG. 9, FIG. 10 and FIG. 11 are for the purpose of depicting areas of enlargement to show details and form no part of the claim.

1 Claim, 11 Drawing Sheets



(56)

References Cited

U.S. PATENT DOCUMENTS

4,085,789 A * 4/1978 Steiner A47G 5/00
 160/351
 D288,755 S * 3/1987 Schoenig D6/681.1
 4,784,205 A * 11/1988 Johnson A47G 5/00
 160/351
 D307,182 S * 4/1990 Smith D24/128
 D346,081 S * 4/1994 Turner D6/681.1
 D384,979 S * 10/1997 Greene, Jr. D20/41
 9,051,751 B2 * 6/2015 Ogilvie E04H 15/005
 D785,071 S * 4/2017 Measom D16/241
 10,474,024 B2 * 11/2019 Mathieson G03B 21/56
 D898,106 S * 10/2020 Zhao D16/241
 D919,693 S * 5/2021 Yang D16/241
 D919,694 S * 5/2021 Zheng D16/241
 11,097,382 B2 * 8/2021 Power B23K 37/00
 2007/0121206 A1 * 5/2007 Liang G03B 21/56
 359/443
 2019/0049834 A1 * 2/2019 Mathieson G03B 21/60
 2020/0292930 A1 * 9/2020 Long G03B 21/58

FOREIGN PATENT DOCUMENTS

CN 306638582 * 6/2021
 CN 307350011 * 5/2022
 EM 007955786-0001 * 5/2020
 EM 008157713-0001 * 9/2020
 EM 008688386-0001 * 9/2021
 EM 008691281-0001 * 9/2021
 EM 008691281-0002 * 9/2021
 EM 008769913-0001 * 12/2021
 JP D1093578 * 12/2000
 KR 300968480.0000 * 8/2018

OTHER PUBLICATIONS

Projector Screen with Stand, product available Jan. 20, 2022 [online],
 pictured review Apr. 12, 2022 [online], [site visited Jun. 9,

2022]:URL:<https://www.amazon.com/gp/product/B09QS96BRV/ref=sw_img_1?smid=AWBOM4WKTZCRV&psc=1> (Year: 2022).*
 OUTTOY 120 Inch Projector Screen with Stand, product available
 Dec. 20, 2021 [online], no video/pictured review [online], [site
 visited Jun. 9, 2022]:URL:<https://www.amazon.com/gp/product/B09NVS2MCJ/ref=sw_img_1?smid=A3R1MNBKX873HT&psc=1> (Year: 2021).*
 Pyle Projector Screen with Stand, product available Nov. 11, 2021
 [online], pictured review Nov. 8, 2021 [online], [site visited Jun. 9,
 2022]:URL:<https://www.amazon.com/gp/product/B09J5BXSML/ref=sw_img_1?smid=ATVPDKIKX0DER&th=1> (Year: 2021).*
 GYUEM Projector Screen with Stand, product available Mar. 29,
 2021 [online], pictured review Jul. 7, 2020 [online], [site visited
 Jun. 9, 2022]:URL:<https://www.amazon.com/gp/product/B09197RN7D/ref=sw_img_1?smid=A2AUIO2MK863QQ&th=1>
 (Year: 2020).*
 120 Inch Projector Screen and Stand, product available Dec. 20,
 2021 [online], pictured review May 3, 2022 [online], [site visited
 Jun. 9, 2022]:URL:<https://www.amazon.com/gp/product/B09NVYSKBN/ref=sw_img_1?smid=A2OPANTK8XL3YS&psc=1>
 (Year: 2021).*
 Projector Screen with Stand, product available Apr. 25, 2022
 [online], no video/pictured review [online], [site visited Jun. 9,
 2022]:URL:<https://www.amazon.com/gp/product/B09YRN26TW/ref=sw_img_1?smid=A1DIEJSAKJM8KV&psc=1> (Year: 2022).*
 Movie Projector Screen with Stand, product available May 6, 2021
 [online], no video/pictured review [online], [site visited Jun. 9,
 2022]:URL:<https://www.amazon.com/gp/product/B0948KJS65/ref=sw_img_1?smid=A5LVRGXHQBBKD&psc=1> (Year: 2021).*
 Elite Screens Yard Master 2 Front Projection Screen, product
 availability unknown [online], no video/pictured review [online],
 [site visited Jun. 9, 2022]:URL:<https://www.bhphotovideo.com/c/product/1110262-REG/elite_screens_oms135h2_yard_master_2_front.html> (Year: 2022).*

* cited by examiner

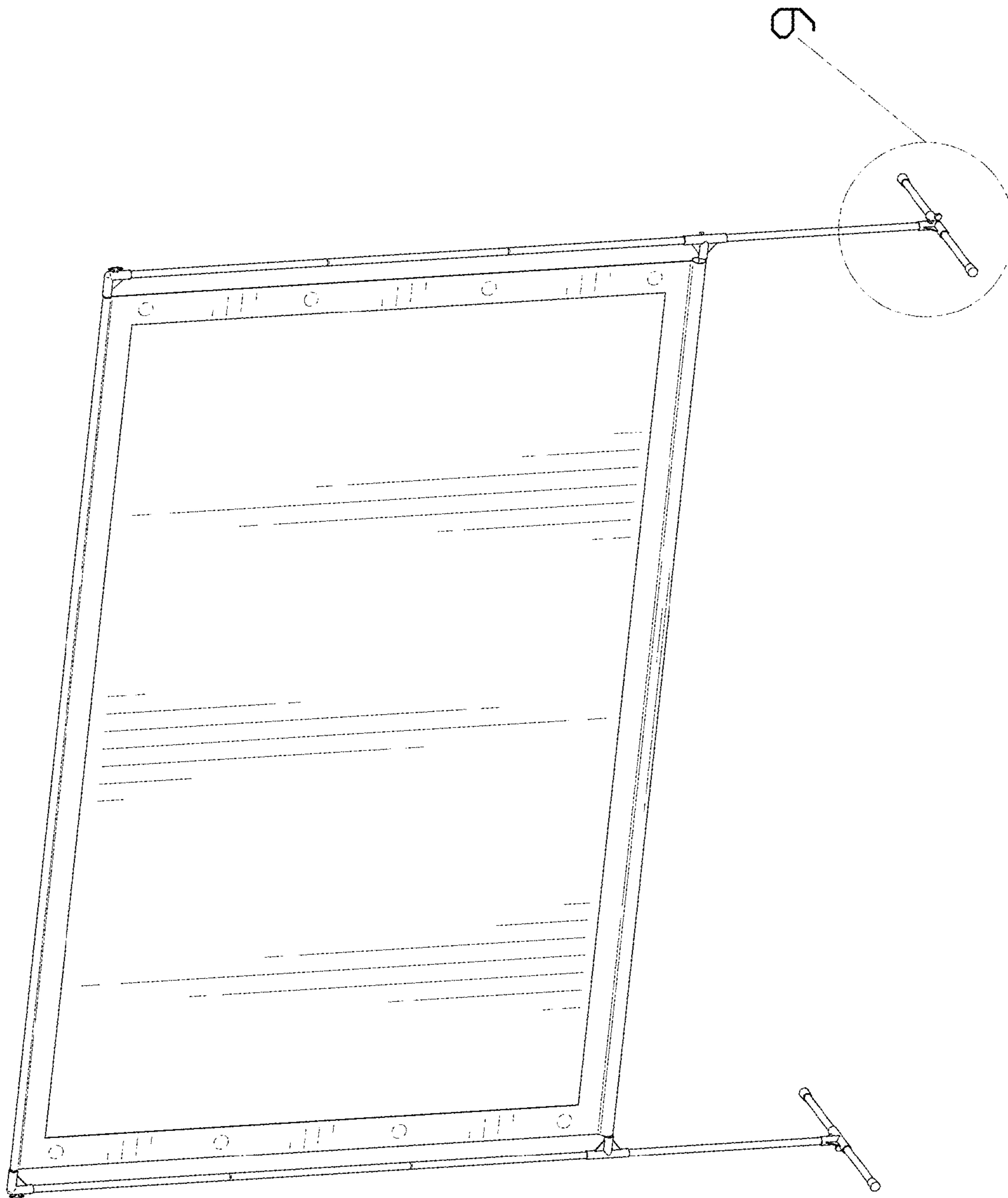


FIG. 1

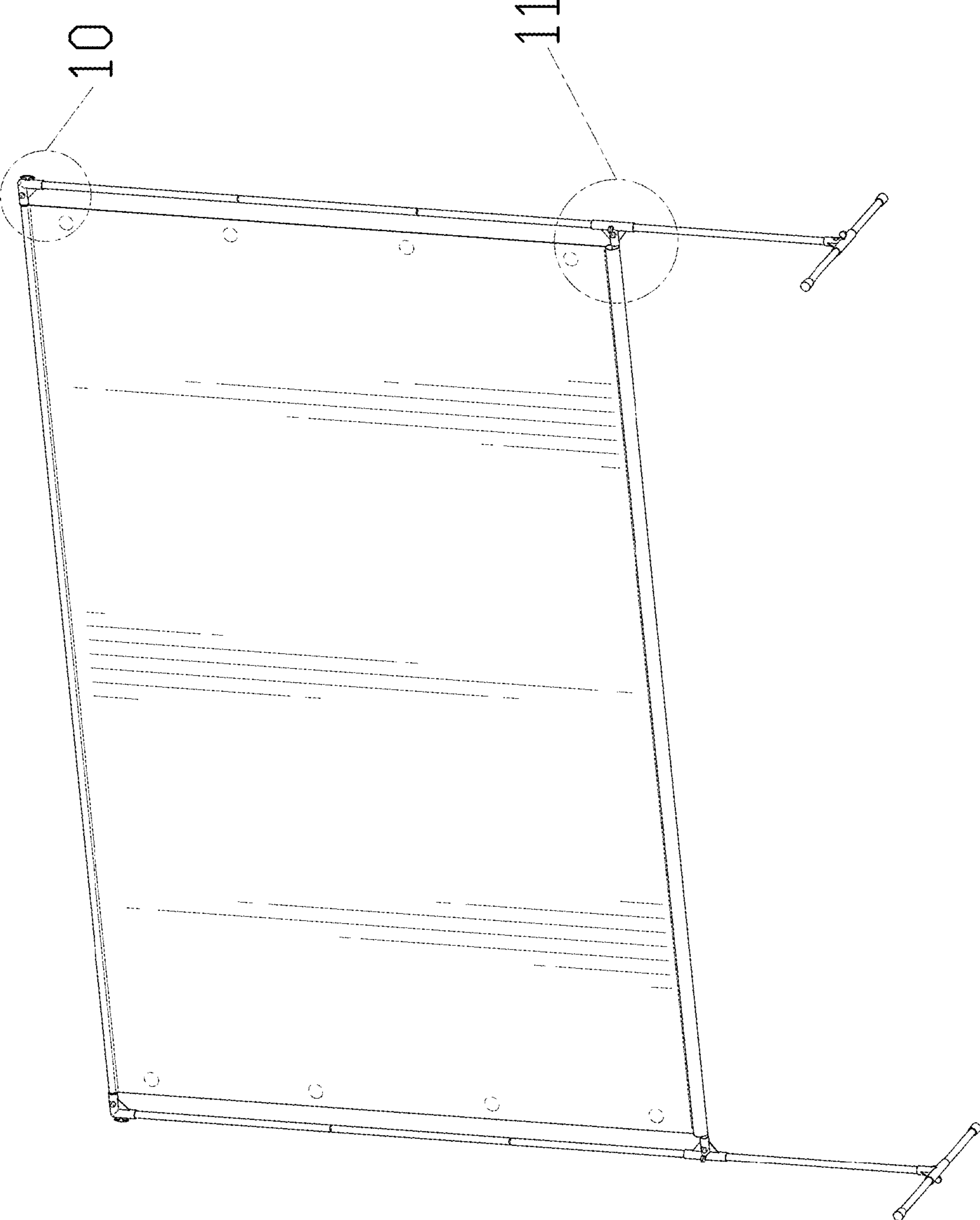


FIG. 2



FIG. 3

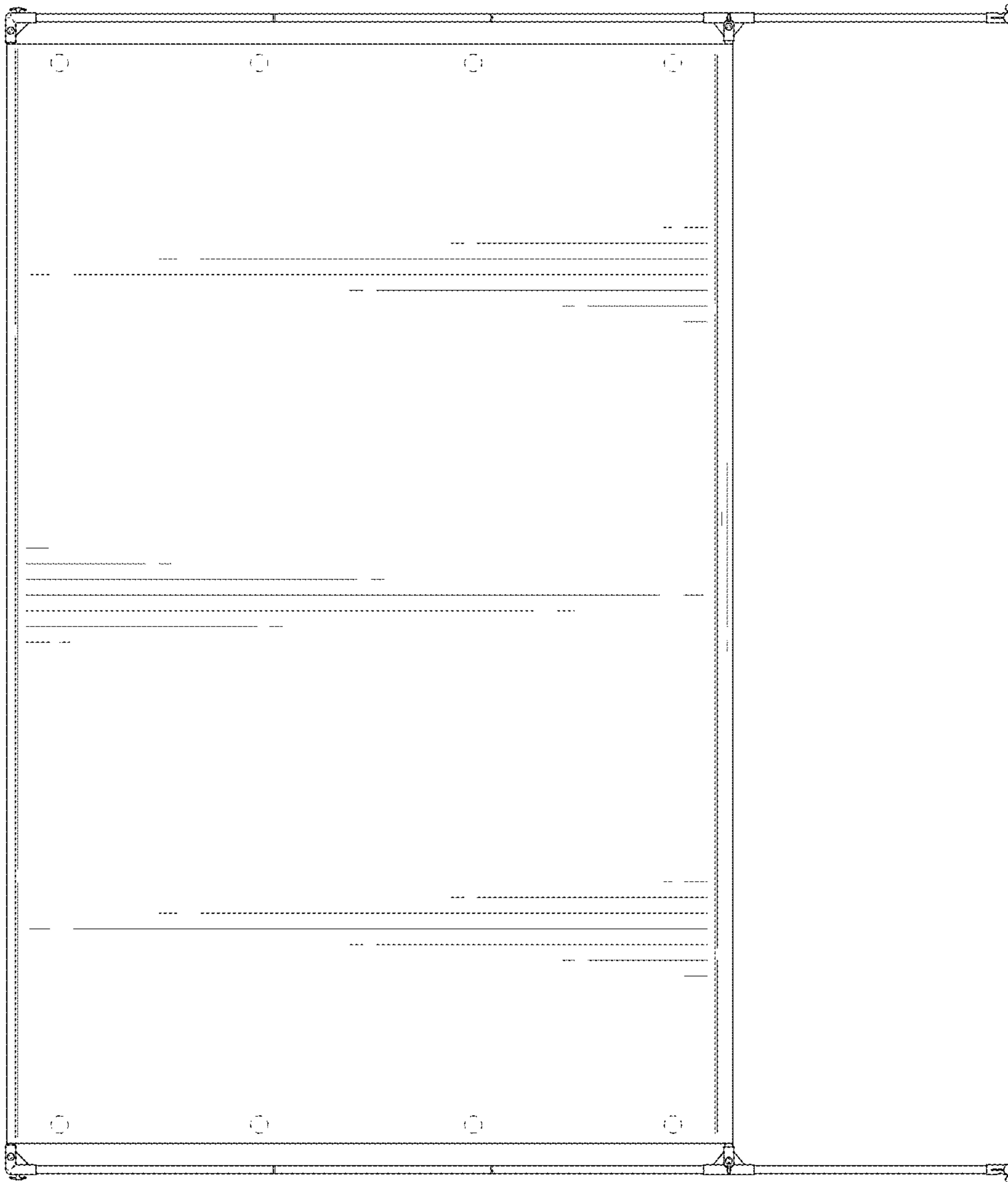


FIG. 4

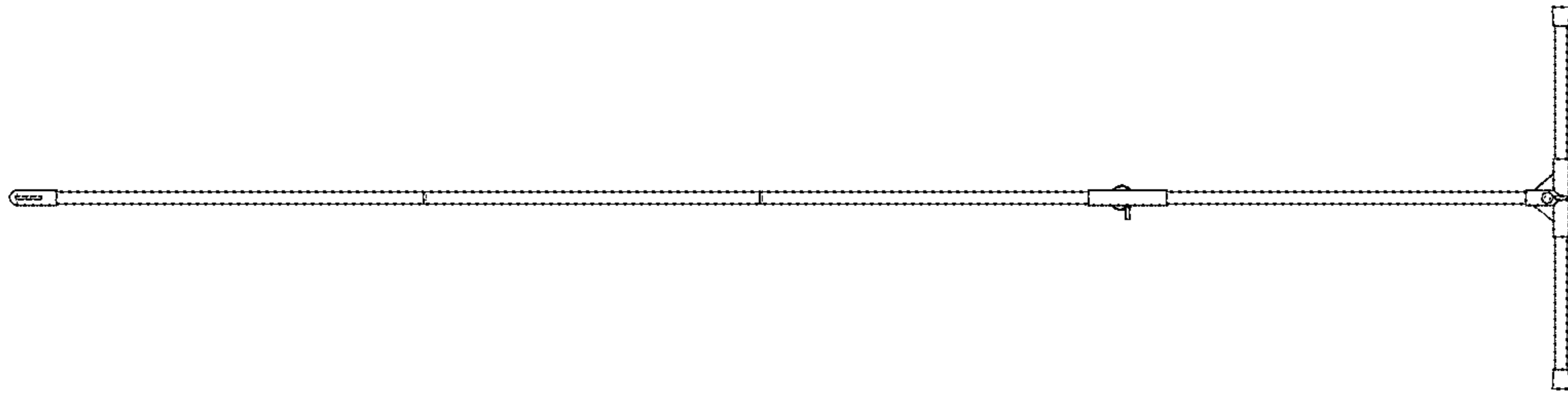


FIG. 5

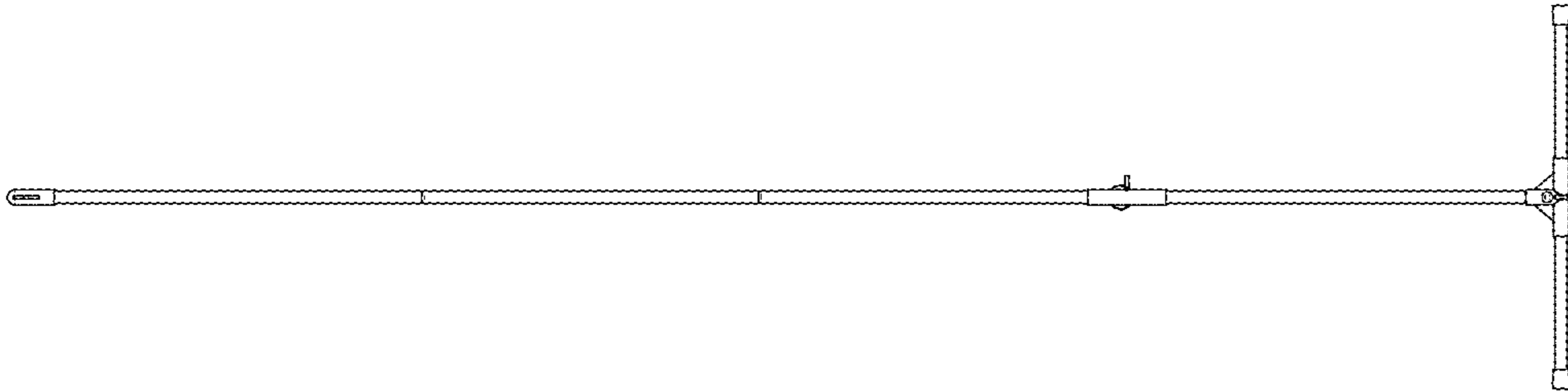


FIG. 6

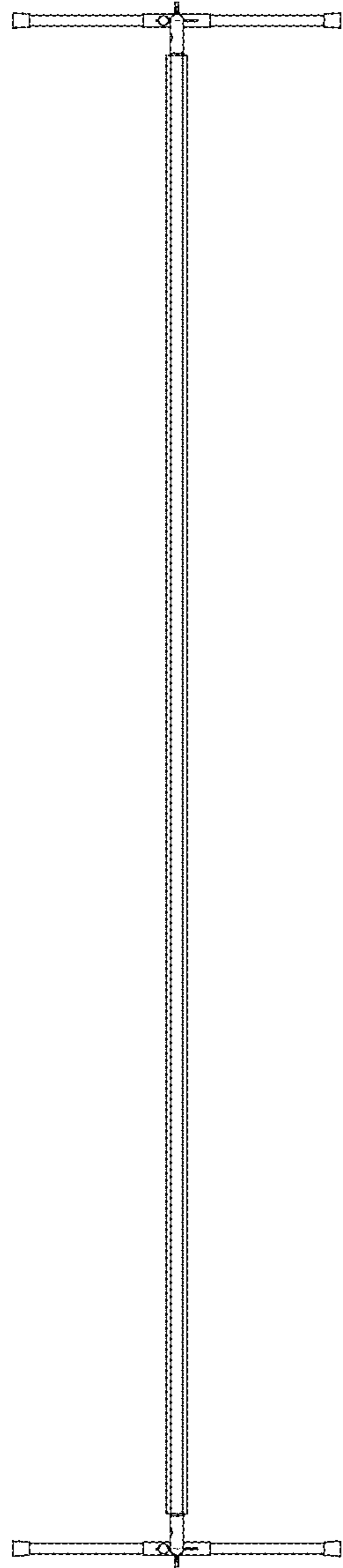


FIG. 7

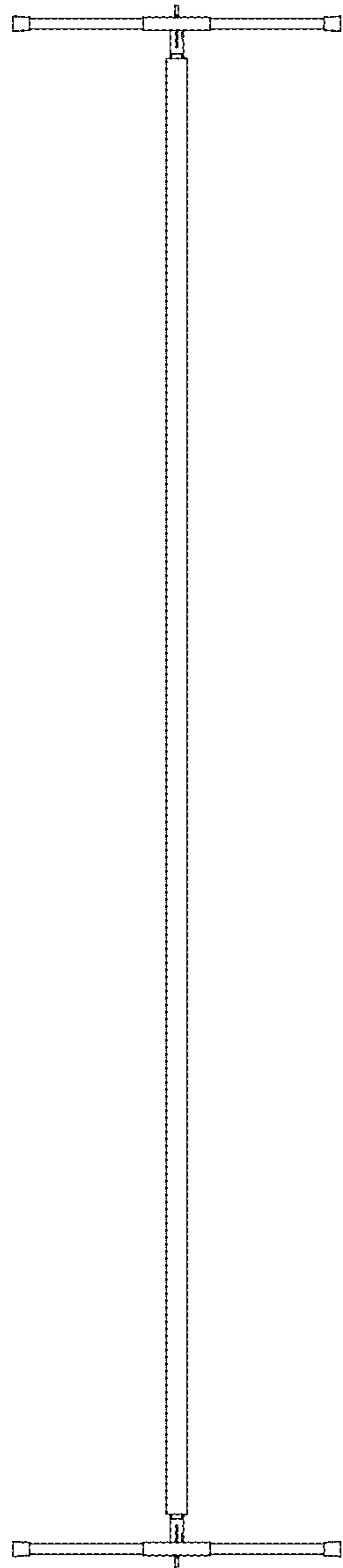


FIG. 8

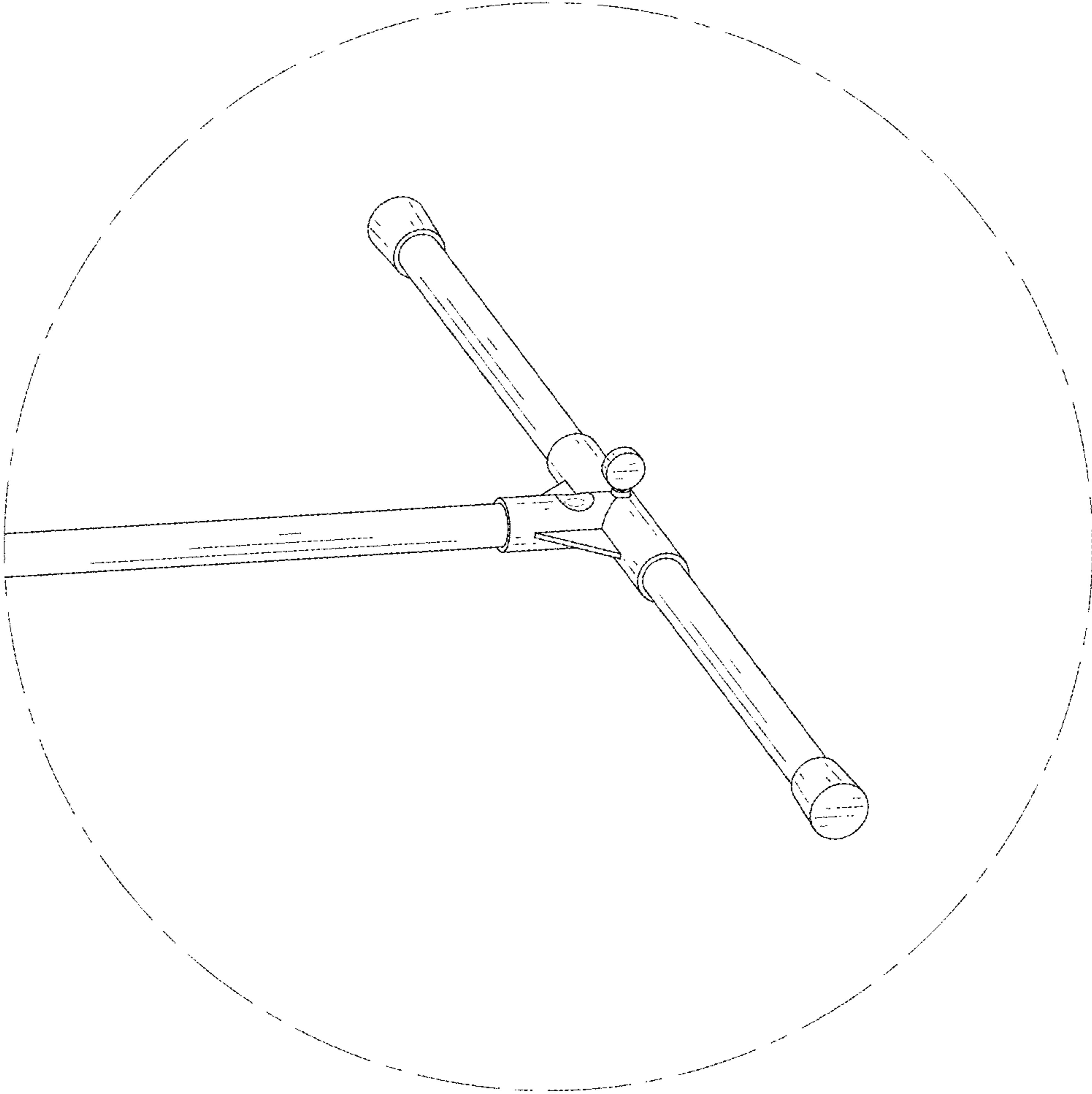


FIG. 9

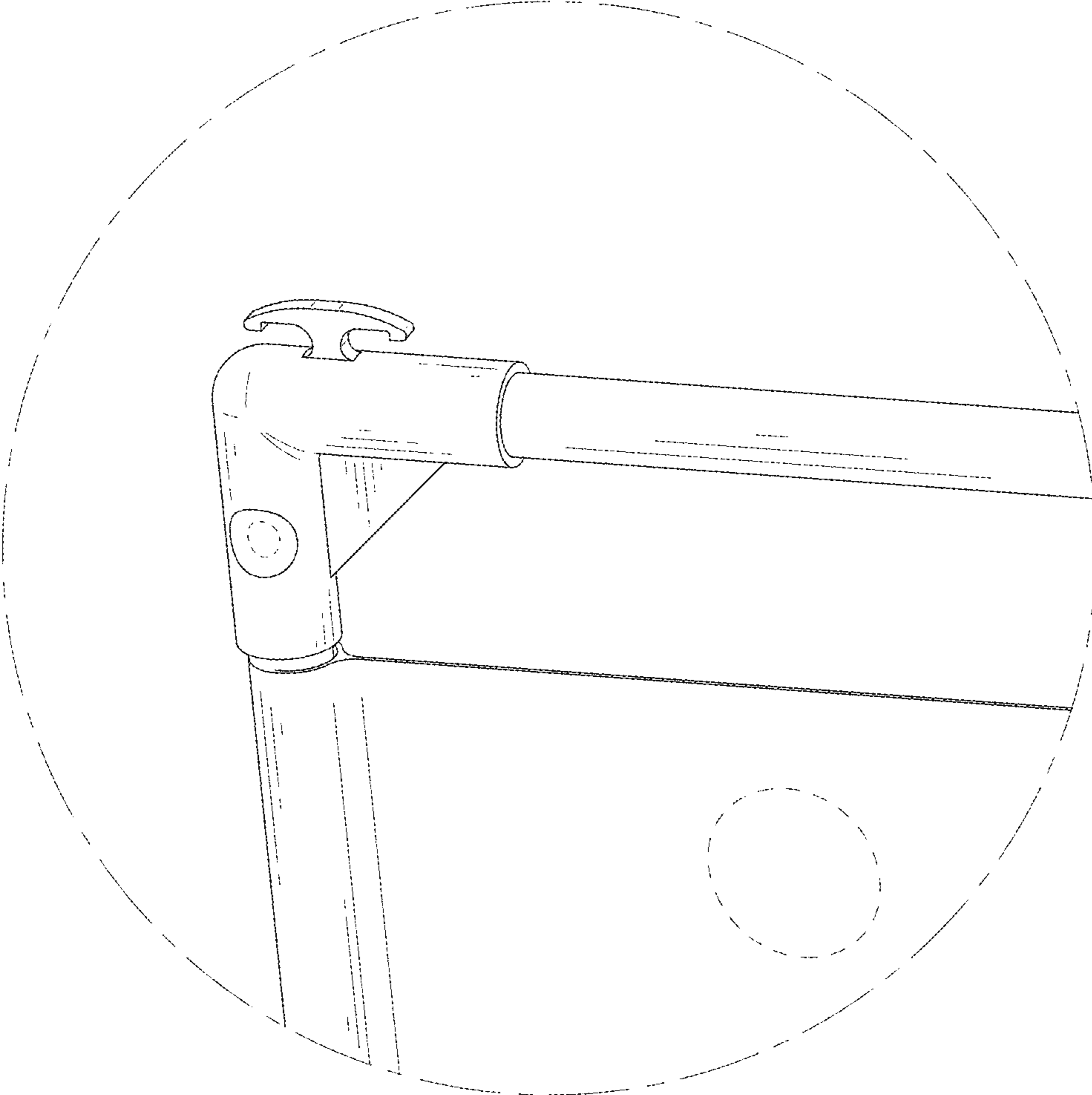


FIG. 10

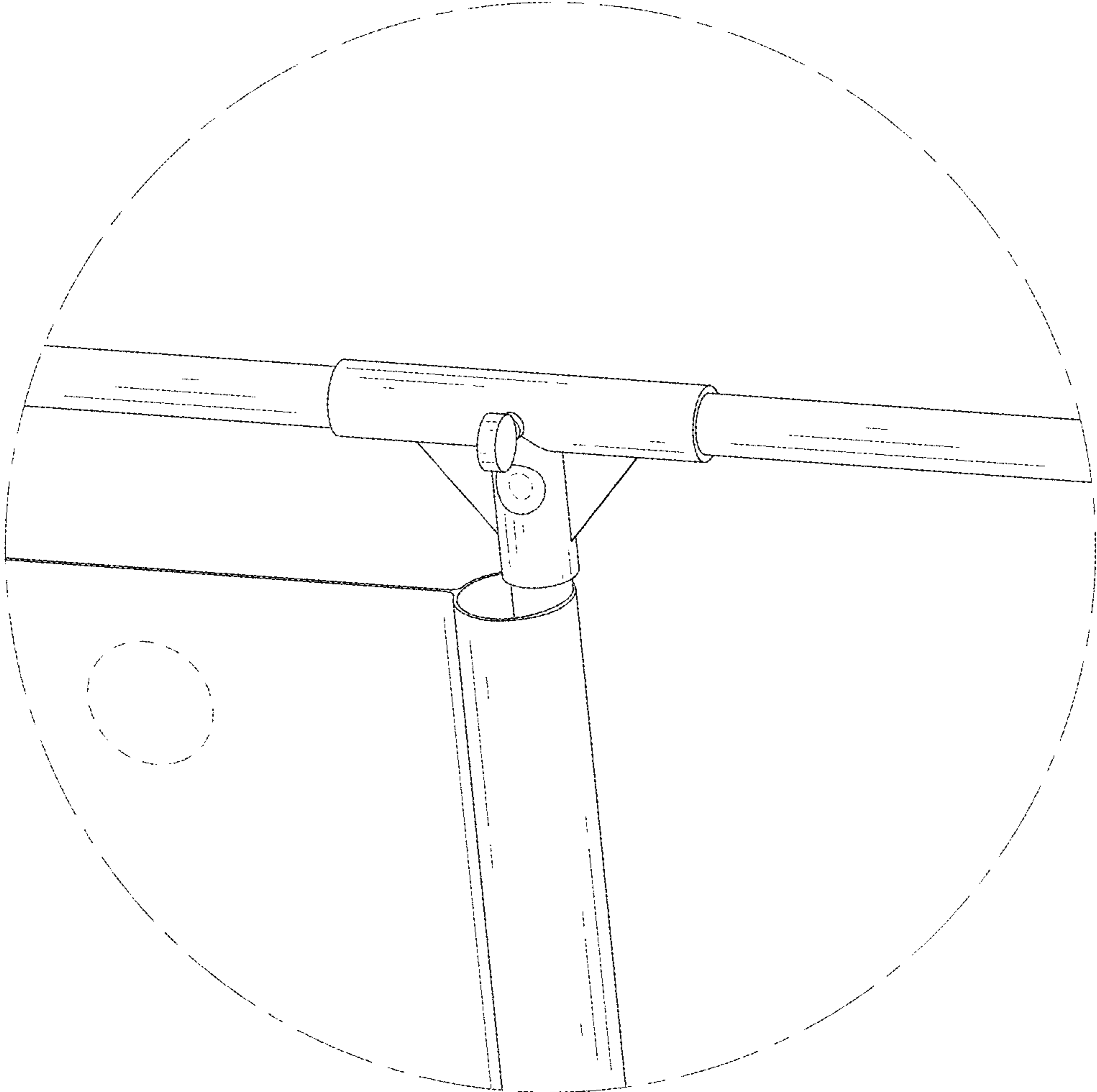


FIG. 11