



US00D968501S

(12) **United States Design Patent**
Hokari

(10) **Patent No.:** **US D968,501 S**

(45) **Date of Patent:** **** Nov. 1, 2022**

(54) **COUPLER FOR DIGITAL CAMERA**

(71) Applicant: **CANON KABUSHIKI KAISHA,**
Tokyo (JP)

(72) Inventor: **Yusuke Hokari,** Tokyo (JP)

(73) Assignee: **Canon Kabushiki Kaisha,** Tokyo (JP)

(**) Term: **15 Years**

(21) Appl. No.: **29/706,291**

(22) Filed: **Sep. 19, 2019**

Related U.S. Application Data

(62) Division of application No. 35/505,543, filed on Feb. 21, 2018 (U.S. filing date under 35 U.S.C. 384), and having an international filing date of Feb. 21, 2018, now Pat. No. Des. 873,896.

(30) **Foreign Application Priority Data**

Aug. 25, 2017 (JP) 2017018301

(51) **LOC (13) Cl.** **16-05**

(52) **U.S. Cl.**
USPC **D16/237**

(58) **Field of Classification Search**

USPC D16/200-204, 208, 218, 219
CPC G03B 15/03; G03B 17/02; G03B 17/04;
G03B 17/48; G03B 17/56

See application file for complete search history.

(56) **References Cited**

U.S. PATENT DOCUMENTS

D200,126 S * 1/1965 Drucker D16/200
D343,853 S 2/1994 Haung
D346,583 S 5/1994 Mohri
D387,078 S * 12/1997 Akita D16/202
D478,608 S 8/2003 Briks et al.

D489,388 S * 5/2004 Saito D16/218
D489,748 S 5/2004 McKay
D503,185 S 3/2005 Haga
D510,376 S * 10/2005 Yamakami D16/218
D511,182 S * 11/2005 Kato D16/218
D515,614 S 2/2006 Speggiorin
D521,038 S * 5/2006 Takagi D16/202
D541,749 S * 5/2007 Li D13/147
D552,659 S 10/2007 Stephens et al.
D556,680 S 12/2007 Matsumoto
D560,159 S 1/2008 Matsumoto
D564,562 S * 3/2008 Honma D16/218
D647,943 S 11/2011 Jannard et al.
D647,944 S 11/2011 Jannard et al.
D677,708 S 3/2013 Zhan
D725,691 S * 3/2015 De Rosa D16/202
D736,297 S * 8/2015 Kawasaki D16/218
D754,768 S * 4/2016 Patulski D16/202
D772,323 S * 11/2016 Hinkel D16/200

(Continued)

Primary Examiner — Holly E Thurman

(74) *Attorney, Agent, or Firm* — Venable LLP

(57) **CLAIM**

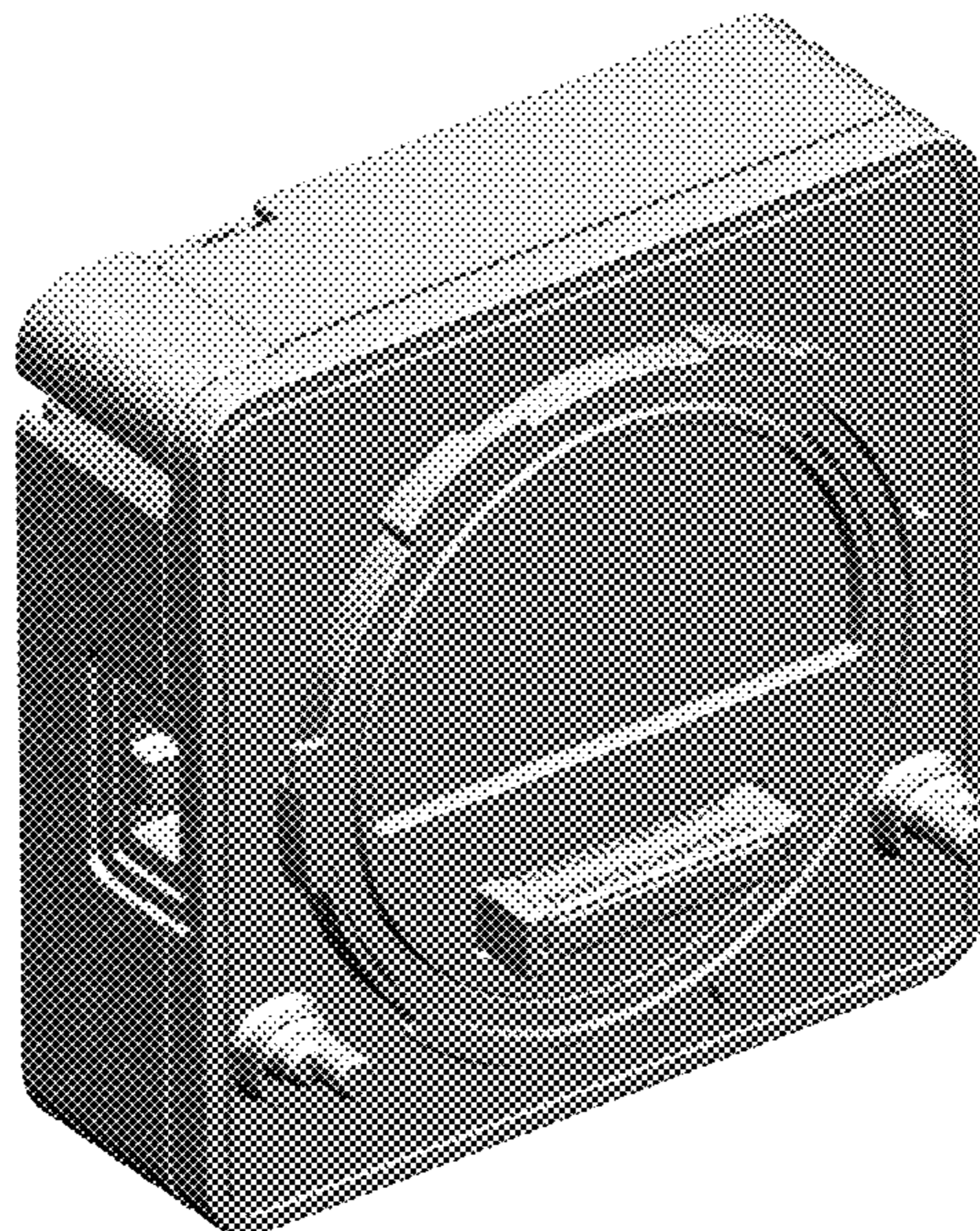
The ornamental design for a coupler for digital camera, as shown and described.

DESCRIPTION

FIG. 1: Front
FIG. 2: Back
FIG. 3: Top
FIG. 4: Bottom
FIG. 5: Left
FIG. 6: Right; and,
FIG. 7: Perspective.

The claimed design is for an article that connects with a digital camera and with a camera accessory to make electrical contact; it also connects with an electric cord and with a digital camera to receive electricity from an external power source.

1 Claim, 7 Drawing Sheets



(56)

References Cited

U.S. PATENT DOCUMENTS

D772,966	S	*	11/2016	Song	D16/200
D805,569	S	*	12/2017	Daugela	D16/200
D814,543	S	*	4/2018	Oshima	D16/202
D835,172	S	*	12/2018	Fujita	D16/219
D842,359	S		3/2019	Imai	
D857,081	S		8/2019	Kuwabara et al.	
D861,055	S	*	9/2019	Sekine	D16/200
D870,176	S	*	12/2019	Hokari	D16/200
D873,896	S	*	1/2020	Hokari	D16/237
D875,153	S	*	2/2020	Kostrzewa	D16/202
2003/0035052	A1	*	2/2003	Baron	H04N 5/23299 348/207.99
2009/0122169	A1		5/2009	Agan et al.	

* cited by examiner

Fig. 1

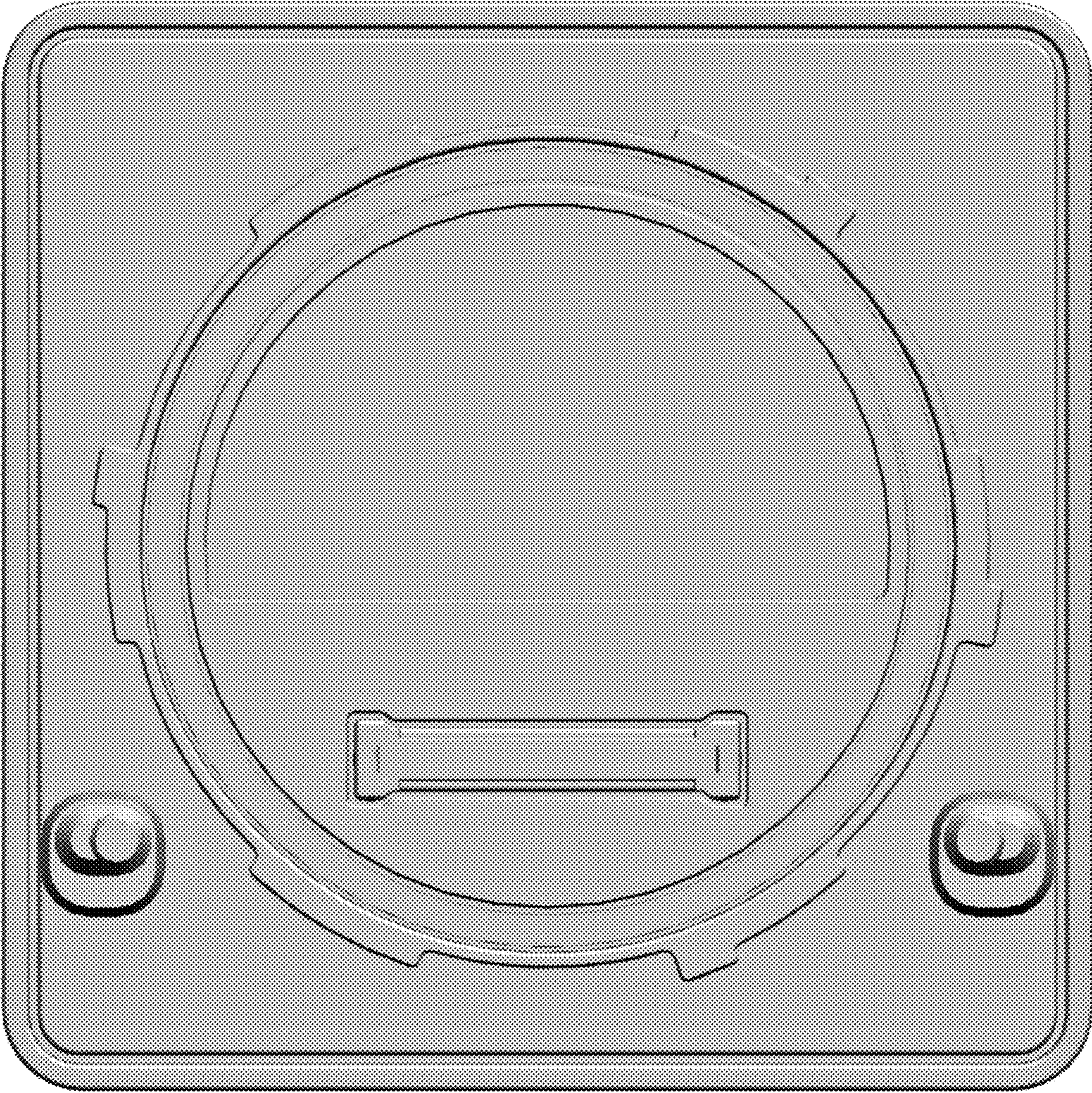


Fig. 2

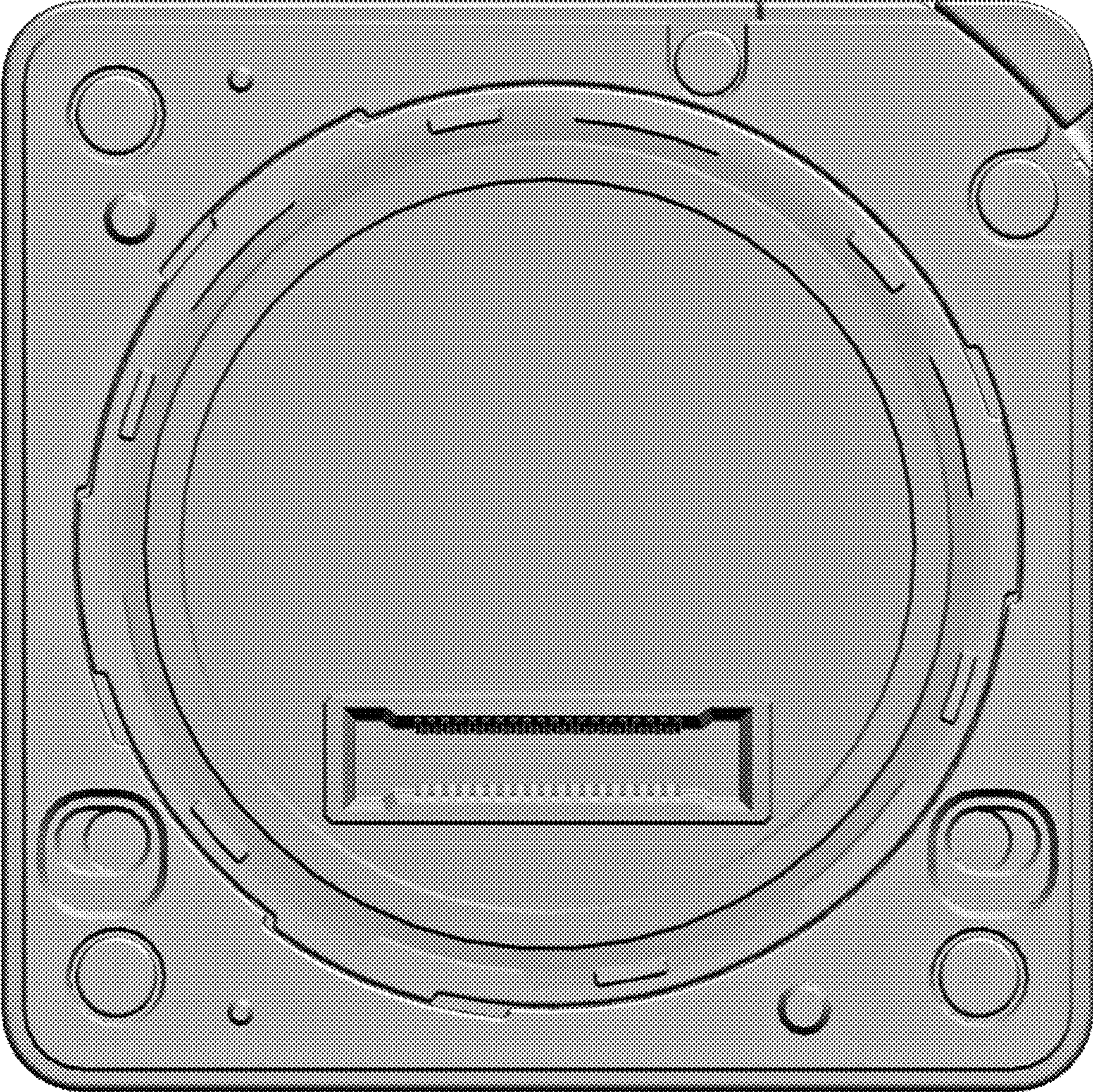


Fig. 3

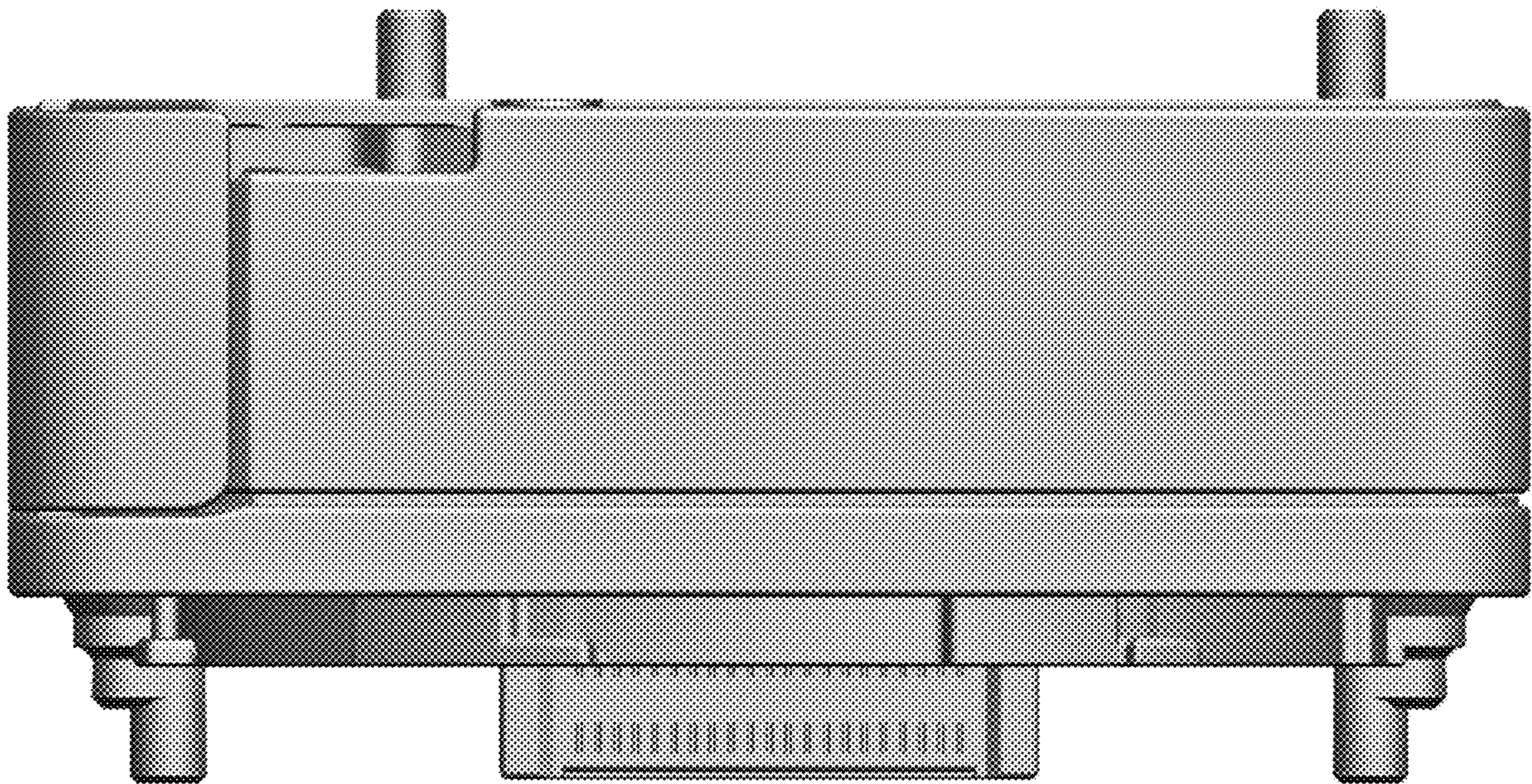


Fig. 4

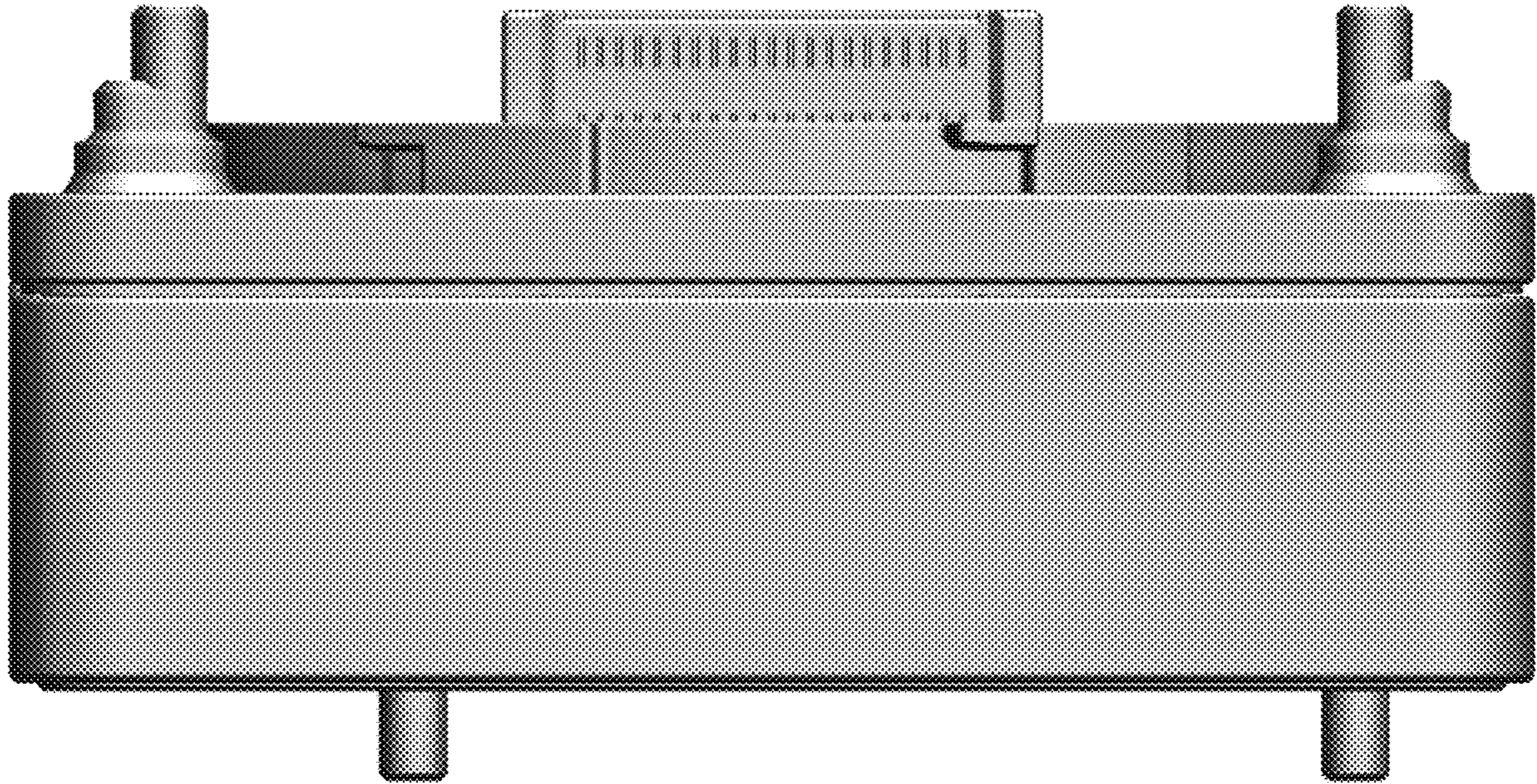


Fig. 5

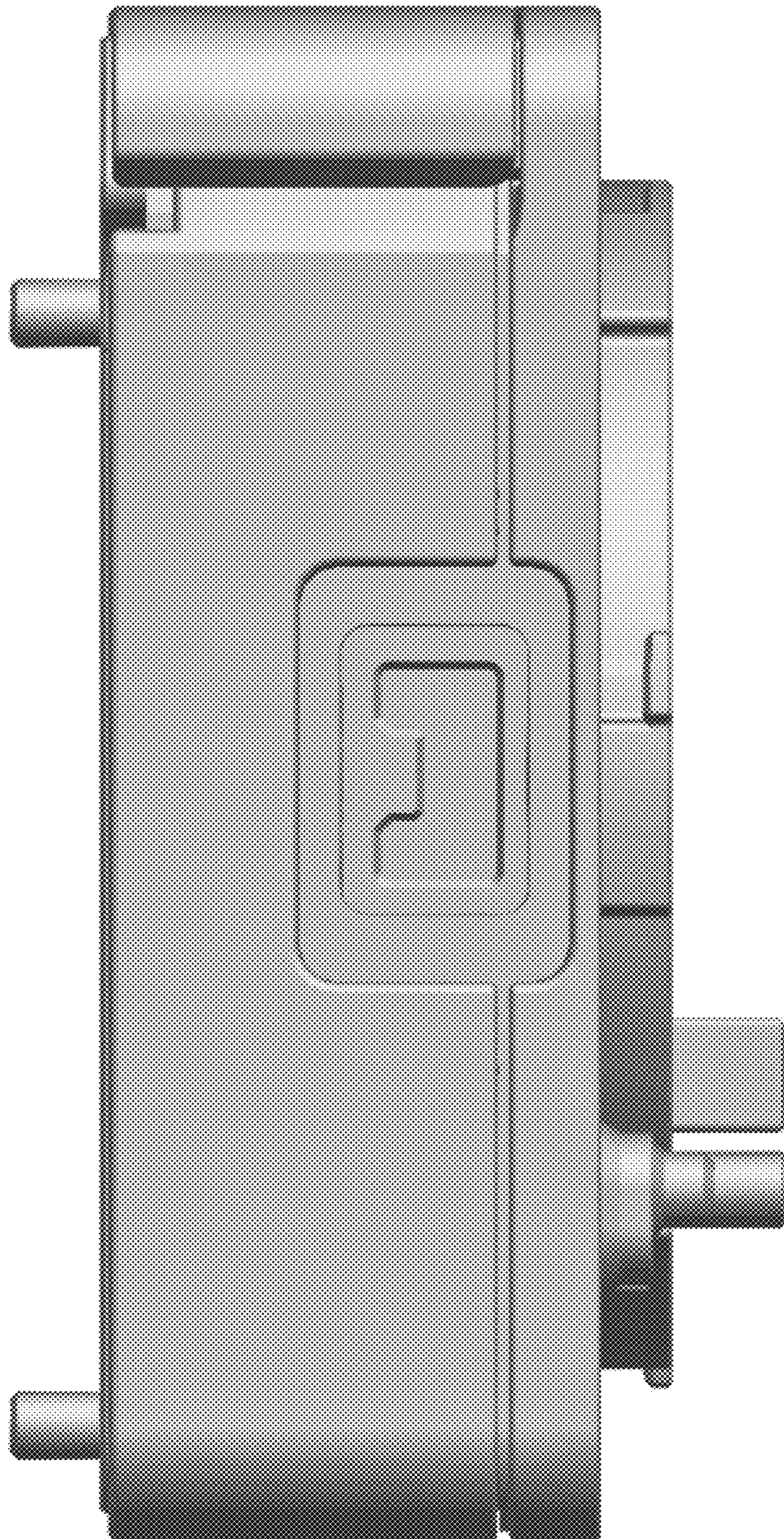


Fig. 6

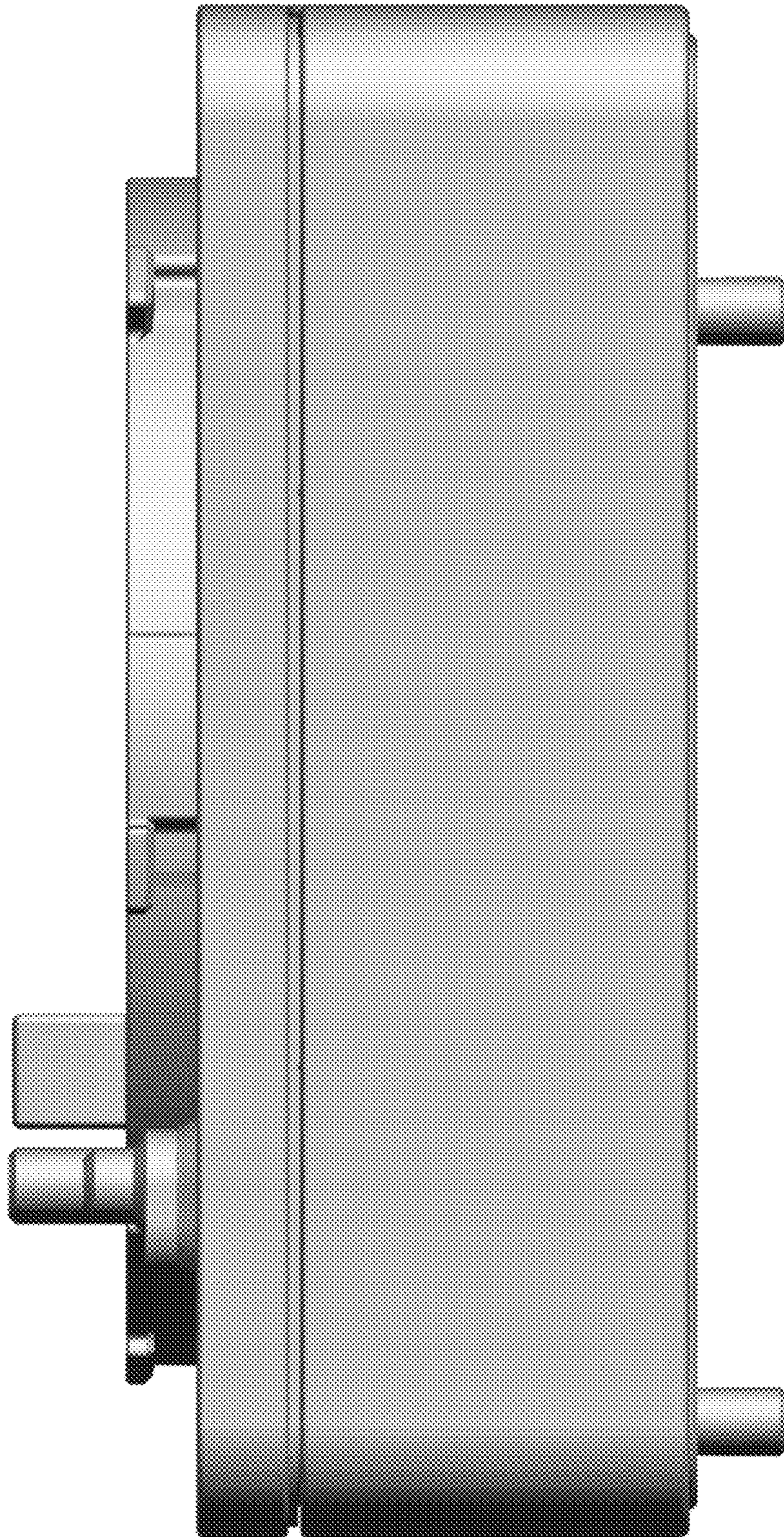


Fig. 7

