



US00D968500S

(12) **United States Design Patent**
Cheung

(10) **Patent No.:** **US D968,500 S**

(45) **Date of Patent:** **** Nov. 1, 2022**

- (54) **GOLF GREEN CAMERA ASSEMBLY**
- (71) Applicant: **David Cheung**, Hong Kong (CN)
- (72) Inventor: **David Cheung**, Hong Kong (CN)
- (**) Term: **15 Years**

D415,805 S *	10/1999	Wygonik	D16/244
D509,527 S *	9/2005	Murray	D16/244
D632,720 S *	2/2011	Barker	D16/244
D706,855 S *	6/2014	Matsumoto	D16/244
D765,649 S *	9/2016	Huang	D16/244
D765,650 S *	9/2016	Huang	D16/244
D930,223 S *	9/2021	Ran	D16/244
D950,634 S *	5/2022	Fan	D16/244

(21) Appl. No.: **29/787,878**

* cited by examiner

(22) Filed: **Jun. 9, 2021**

Primary Examiner — Ramzi Almatrahi

Related U.S. Application Data

(60) Division of application No. 29/727,113, filed on Mar. 9, 2020, now Pat. No. Des. 926,861, which is a continuation-in-part of application No. 16/371,843, filed on Apr. 1, 2019, now abandoned.

(51) **LOC (13) Cl.** **16-05**

(52) **U.S. Cl.**
USPC **D16/219; D16/244**

(58) **Field of Classification Search**
USPC D16/200, 202–206, 214–216, 218, 219, D16/229, 235, 239, 240, 242–244; D25/16; 348/373–376; 396/2, 3, 5, 419, 396/424, 427, 429, 535, 539–541
CPC G03B 15/00; G03B 15/03; G03B 15/06; G03B 17/02; G03B 17/04; G03B 17/53; G03B 17/56; G03B 19/04; H04N 5/2251; H04N 5/2252; H04N 5/2253; H04N 5/2254; H04N 2101/00
See application file for complete search history.

(56) **References Cited**

U.S. PATENT DOCUMENTS

D257,259 S *	10/1980	Shiraishi	D16/244
D386,510 S *	11/1997	Peterson	D16/244

(57) **CLAIM**

The ornamental design for a golf green camera assembly, as shown and described.

DESCRIPTION

FIG. 1 is a perspective view of a golf green camera assembly;
FIG. 2 is a front elevational view of the golf green camera assembly;
FIG. 3 is a rear elevational view of the golf green camera assembly;
FIG. 4 is a right side elevational view of the golf green camera assembly;
FIG. 5 is a left side elevational view of the golf green camera assembly;
FIG. 6 is a top plan view of the golf green camera assembly; and,
FIG. 7 is a bottom plan view of the golf green camera assembly.
The broken lines depict portions of the golf green camera assembly which form no part of the claimed design.

1 Claim, 4 Drawing Sheets

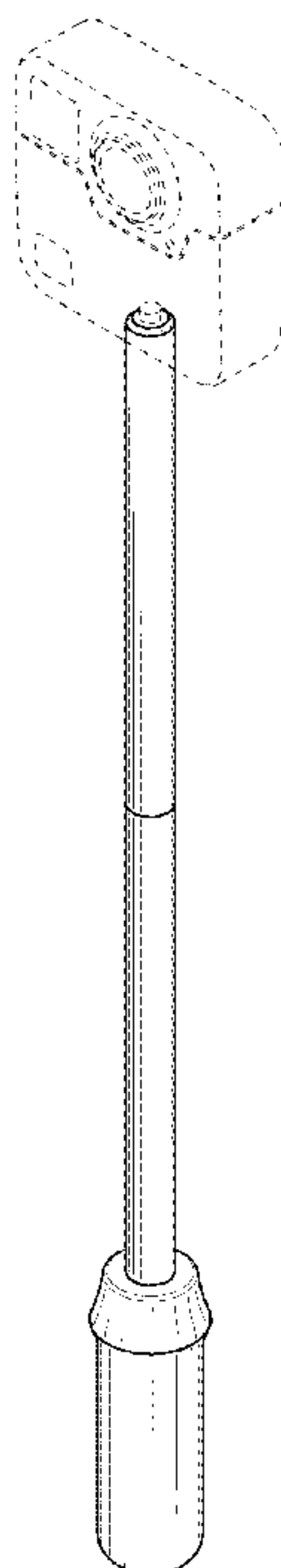


FIG. 1

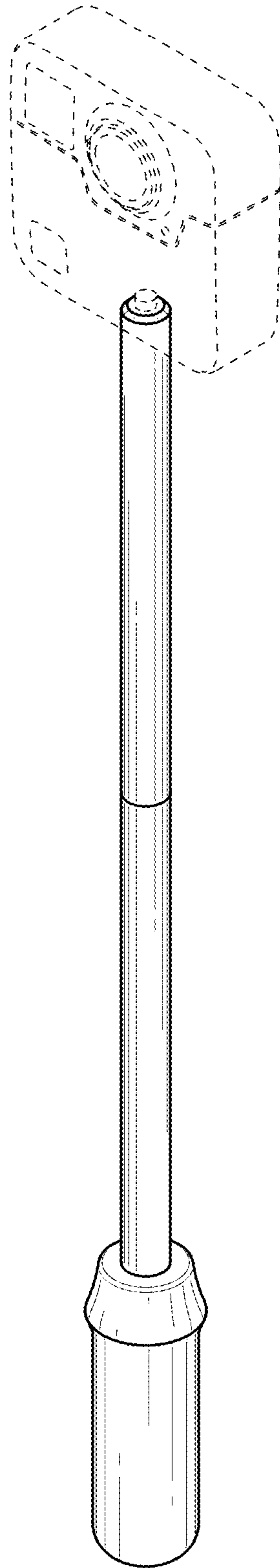


FIG. 2

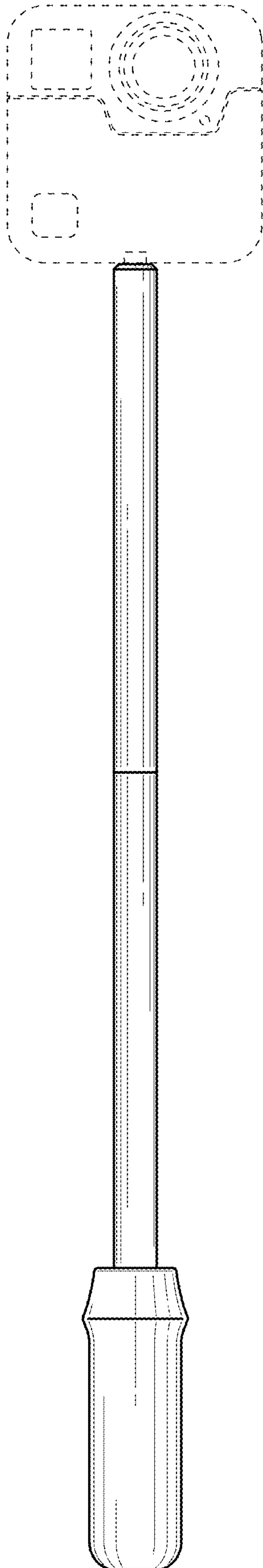


FIG. 3

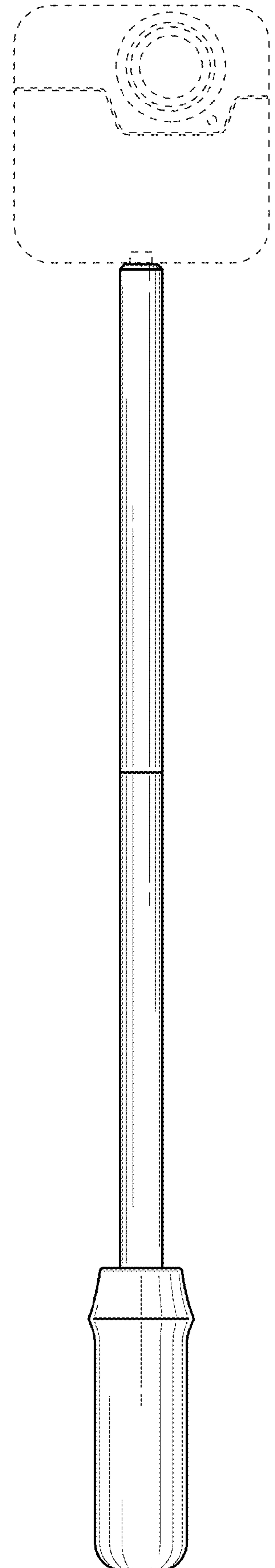


FIG. 4

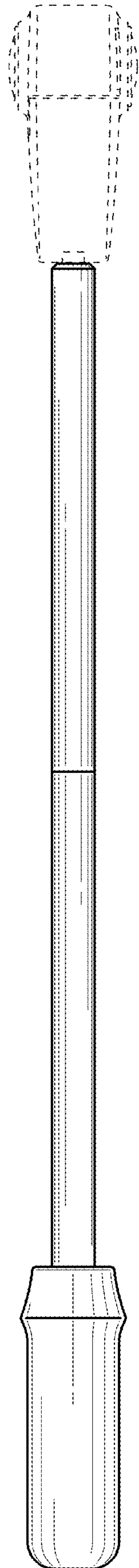
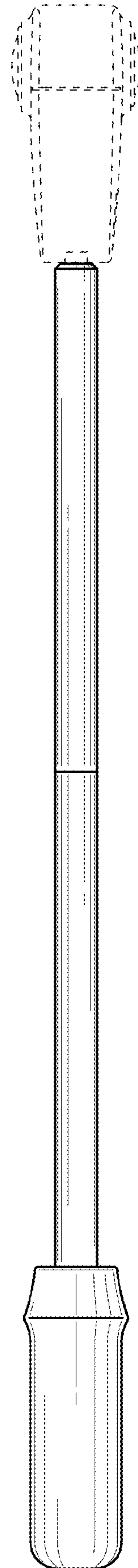


FIG. 5



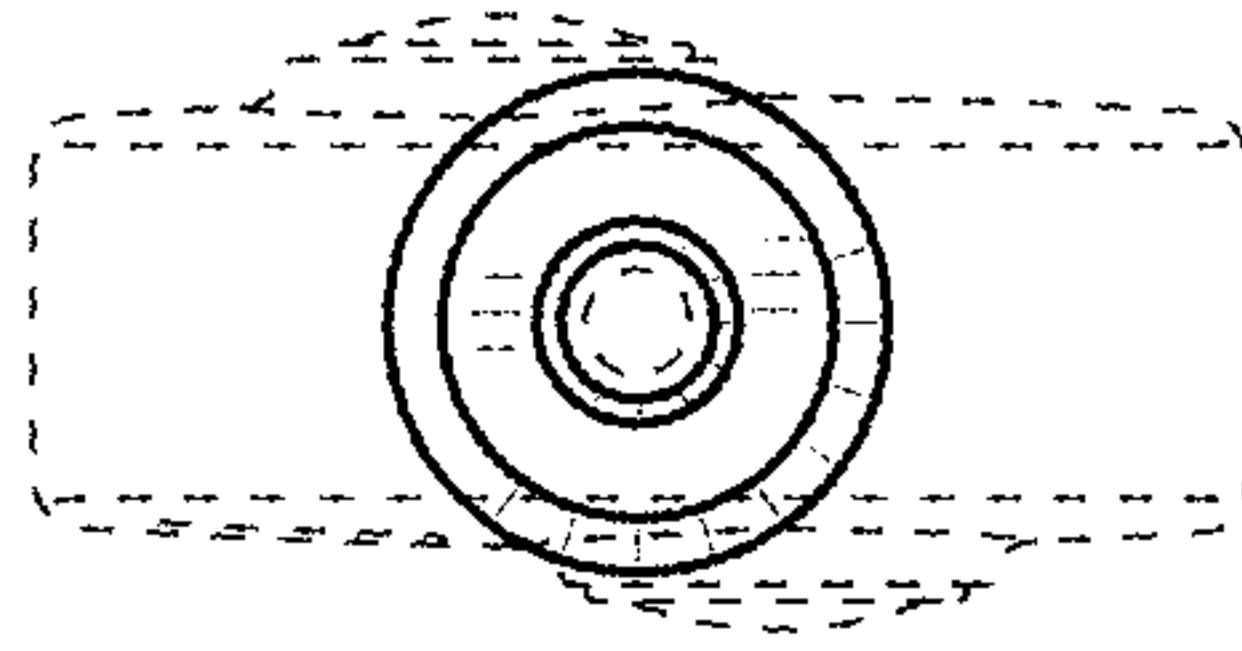


FIG. 6

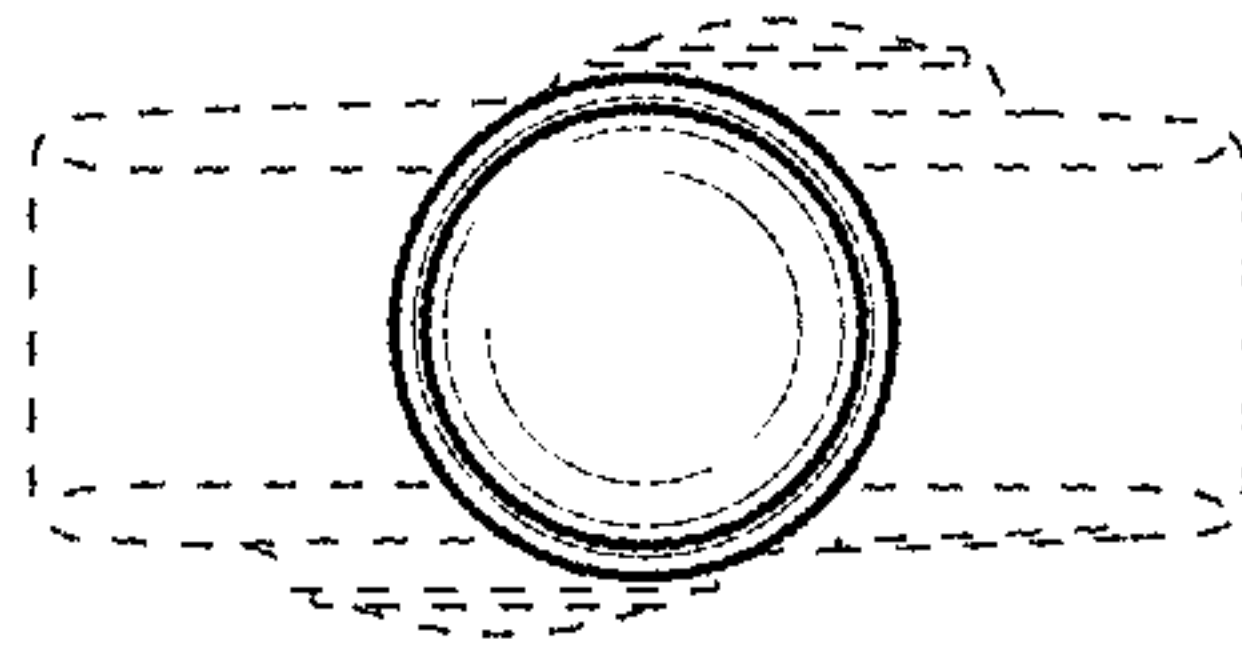


FIG. 7