



US00D968499S

(12) **United States Design Patent** (10) **Patent No.:** **US D968,499 S**
Dortch (45) **Date of Patent:** **** Nov. 1, 2022**

(54) **CAMERA LENS COVER**
(71) Applicant: **Thermal Imaging Radar, LLC**, Orem, UT (US)
(72) Inventor: **Michael D. Dortch**, Saratoga Springs, UT (US)
(73) Assignee: **Thermal Imaging Radar, LLC**, Orem, UT (US)

3,769,501 A 10/1973 McDonough
3,883,788 A 5/1975 Storey, Jr.
4,263,513 A 4/1981 Palluet
4,465,959 A 8/1984 Yajima
4,602,857 A 7/1986 Woltz et al.
4,710,691 A 12/1987 Bergstrom
4,922,275 A 5/1990 Hughes
4,977,323 A 12/1990 Jehle
4,982,218 A 1/1991 Tsuboi et al.
4,988,938 A 1/1991 Yukihiro

(Continued)

(**) Term: **15 Years**
(21) Appl. No.: **29/669,489**
(22) Filed: **Nov. 8, 2018**

FOREIGN PATENT DOCUMENTS

CN 1254856 5/2000
CN 1485690 3/2004

(Continued)

Related U.S. Application Data

(63) Continuation of application No. 15/159,523, filed on May 19, 2016, now Pat. No. 10,127,686, which is a continuation of application No. 14/456,329, filed on Aug. 11, 2014, now Pat. No. 9,348,196.

(51) **LOC (13) Cl.** **16-05**
(52) **U.S. Cl.**
USPC **D16/219**

(58) **Field of Classification Search**
USPC D16/200, 202-206, 218, 219, 242;
348/143, 148, 151, 373-376; 396/419,
396/427, 535, 539-541
CPC G03B 17/02; G03B 19/04; G03B 17/56;
G03B 17/04; G03B 15/03; H04N 5/2251;
H04N 5/2252; H04N 5/2253; H04N
5/2254; H04N 7/181; H04N 7/183; H04N
7/18; G08B 13/1963; G08B 13/19619;
G08B 13/19632; F16M 11/04; F16M
13/00

See application file for complete search history.

(56) **References Cited**

U.S. PATENT DOCUMENTS

3,336,810 A 8/1967 Schaffer et al.
3,648,384 A 3/1972 Roberts

OTHER PUBLICATIONS

Beek et al., "Server-Side Payout Delay Management for Video Streaming", Image processing, 2006 IEEE international conference on, IEEE, Oct. 1, 2006, pp. 3077-3080.

(Continued)

Primary Examiner — Ramzi Almatrahi
(74) *Attorney, Agent, or Firm* — Workman Nydegger

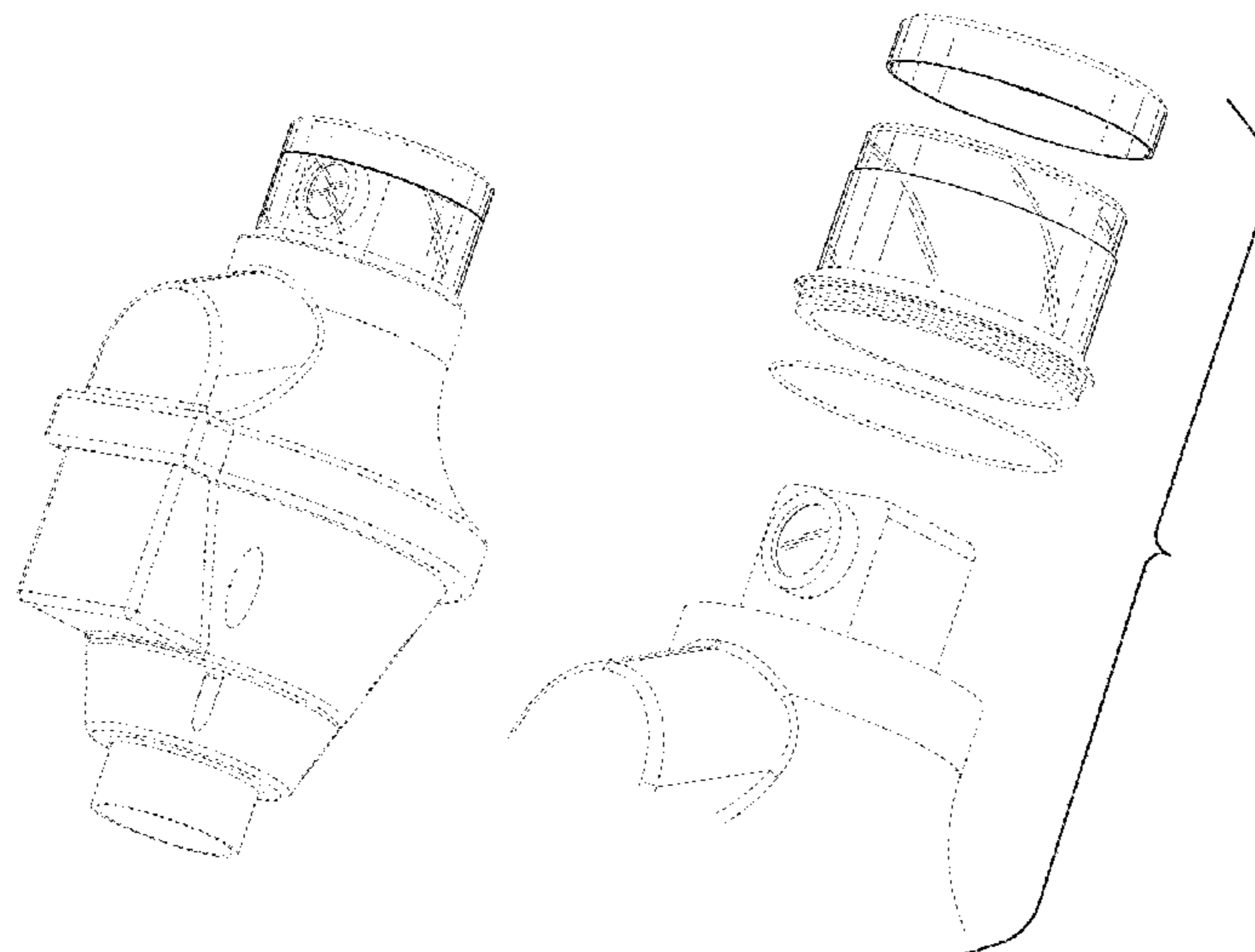
(57) **CLAIM**

The ornamental design for a camera lens cover, as shown and described.

DESCRIPTION

FIG. 1 is a perspective view of a camera lens cover showing my new design; and
FIG. 2 is an exploded perspective view thereof; and,
FIG. 3 is a side elevation view thereof.
The broken lines depict portions of the camera lens cover in which the design is embodied that form no part of the claimed design.

1 Claim, 3 Drawing Sheets



(56)

References Cited

OTHER PUBLICATIONS

U.S. PATENT DOCUMENTS

2013/0188010 A1 7/2013 Dortch et al.
 2013/0249947 A1 9/2013 Reitan
 2014/0028712 A1 1/2014 Keating et al.
 2014/0152874 A1 6/2014 Clayton et al.
 2014/0176565 A1 6/2014 Adeyoola et al.
 2014/0192184 A1 7/2014 Wu
 2014/0282275 A1 9/2014 Everitt et al.
 2014/0333776 A1 11/2014 Dedeoglu et al.
 2014/0340427 A1 11/2014 Baker
 2015/0062337 A1 3/2015 Scalisi
 2015/0116741 A1 4/2015 Ogino
 2015/0161779 A1 6/2015 Hamann et al.
 2015/0297949 A1 10/2015 Aman et al.
 2015/0334303 A1 11/2015 Dortch et al.
 2015/0365607 A1 12/2015 Yang
 2016/0005435 A1 1/2016 Campbell et al.
 2016/0006382 A1 1/2016 Dortch et al.
 2016/0021295 A1 1/2016 Krestyannikov
 2016/0088287 A1 3/2016 Said et al.
 2016/0105609 A1 4/2016 Pettegrew et al.
 2016/0225159 A1 8/2016 Sato
 2016/0266380 A1 9/2016 Dortch
 2016/0321779 A1 11/2016 Fujita
 2017/0024898 A1 1/2017 Spector et al.
 2017/0124622 A1 5/2017 Kliper
 2017/0223368 A1 8/2017 Abbas et al.
 2017/0236300 A1 8/2017 Dortch et al.
 2018/0198989 A1 7/2018 MacMillan et al.
 2018/0276480 A1 9/2018 Peterson et al.
 2018/0286075 A1 10/2018 Dortch
 2018/0307352 A1 10/2018 Stimm
 2020/0154048 A1 5/2020 Jones et al.
 2021/0258515 A1 8/2021 Rees et al.

FOREIGN PATENT DOCUMENTS

CN 1639751 7/2005
 CN 102176270 9/2011
 CN 102280005 12/2011
 CN 102868345 4/2015
 EP 2319236 A1 5/2011
 EP 2492883 8/2012
 EP 3030935 A1 6/2016
 EP 3103257 A1 12/2016
 GB 2433127 6/2007
 GC 2014/27716 8/2014
 JP 2000236461 8/2000
 JP 2003123157 4/2003
 JP 2006013832 1/2006
 JP 2006333133 12/2006
 JP 2007271869 10/2007
 JP 2008236632 10/2008
 JP 2011199750 10/2011
 JP 2011239195 11/2011
 JP 2012065273 3/2012
 JP 2012113204 6/2012
 KR 10-2009-0067762 6/2009
 KR 10-1030719 B1 4/2011
 RU 2012140240 9/2012
 TW 401687 8/2000
 WO 2004/008407 1/2004
 WO 2010/010497 A1 1/2010
 WO 2012/007049 1/2012
 WO 2012/029063 3/2012
 WO 2013/109742 7/2013
 WO 2013/109976 7/2013
 WO 2014/169061 10/2014
 WO 2014/169066 10/2014
 WO 2015/021186 2/2015
 WO 2015/118370 A1 8/2015
 WO 2016160794 10/2016

Cimtay et al., "Frame rate up-conversion with nonlinear temporal interpolation", *Image and Signal Processing (Cisp)*, 2012 5th International Congress On, IEEE, Oct. 16, 2012, pp. 206-210.
 European Search Report for Application 14782980.8 dated Dec. 2, 2016, 8 pages.
 Extended European Search Report for 19167565.1 dated Jun. 7, 2019.
 KR-10-2009-0067762A Machine Transtion retrieved from K-PION website.
 Non-Final Office Action received for U.S. Appl. No. 16/746,550, dated Sep. 17, 2020, 17 pages.
 U.S. Appl. No. 14/456,329, filed Aug. 11, 2014, Dortch.
 U.S. Appl. No. 14/652,009, filed Jun. 12, 2015, Dortch, et al.
 U.S. Appl. No. 14/738,391, filed Jun. 12, 2015, Dortch, et al.
 U.S. Appl. No. 15/159,523, filed May 19, 2015, Dortch.
 U.S. Appl. No. 15/369,117, filed Dec. 5, 2016, Dortch.
 U.S. Appl. No. 29/523,032, filed Apr. 6, 2015, Dortch, et al.
 U.S. Application Filed on Nov. 8, 2018, by Thermal Imaging Radar, LLC., U.S. Appl. No. 29/669,489.
 U.S. Appl. filed Jun. 12, 2015, Dortch, et al., U.S. Appl. No. 14/652,006.
 U.S. Appl. No. 15/562,798, dated Mar. 18, 2019, Notice of Allowance.
 U.S. Appl. No. 16/143,153, dated Sep. 26, 2019, Office Action.
 U.S. Appl. No. 16/143,153, dated Oct. 18, 2019, Notice of Allowance.
 Notice of Allowance and Fees Due (PTOL-85) dated Apr. 28, 2021 for U.S. Appl. No. 16/746,550.
 U.S. Appl. No. 15/562,798, dated Nov. 8, 2018, Office Action.
 U.S. Appl. No. 16/143,153, filed Sep. 26, 2018, Jones et al.
 Austin, David, "Generate Stepper-Motor Speed Profiles in Real Time," Dec. 30, 2004, 13 pages, Available at <https://www.embedded.com/design/mcus-processors-and-socs/4006438/Generate-stepper-motor-speed-profiles-in-real-time>.
 Chu, Elbert. "Invention Awards 2014: 360-Degree Infrared Vision." *Popular Science*. May 5, 2014. Web. Accessed Feb. 27, 2015.
 Electro Optical Industries "Spynel-M Thermal Radar for Intrusion Detection," based on information and belief, available at least as early as Mar. 7, 2018, 4 pages.
 Hughes, et al., "Electromagnetic Damping in Stepping Motors," in *Proceedings of the Institution of Electrical Engineers*, vol. 122, No. 8, Published Aug. 1, 1975.
 International Search Report and Written Opinion for PCT/US2016/024694 dated Jun. 24, 2016, 14 pages.
 Supplemental European Search Report for 14782980 completed Nov. 24, 2016.
 Supplemental European Search Report for 14835456.6 dated May 11, 2017, 11 pages.
 U.S. Appl. No. 13/745,514, dated Jan. 10, 2014, Office Action.
 U.S. Appl. No. 13/745,514, dated Apr. 11, 2014, Notice of Allowance.
 U.S. Appl. No. 14/456,329, dated May 14, 2015, Restriction Requirement.
 U.S. Appl. No. 14/456,329, dated Oct. 1, 2015, Office Action.
 U.S. Appl. No. 14/652,009, dated Nov. 18, 2015, Office Action.
 U.S. Appl. No. 14/652,006, dated Nov. 20, 2015, Office Action.
 U.S. Appl. No. 14/456,329, dated Jan. 21, 2016, Notice of Allowance.
 U.S. Appl. No. 14/652,006, dated Mar. 22, 2016, Final Office Action.
 U.S. Appl. No. 14/652,009, dated Apr. 18, 2016, Notice of Allowance.
 U.S. Appl. No. 29/523,032, dated Apr. 21, 2016, Office Action.
 U.S. Appl. No. 14/738,391, dated Apr. 25, 2016, Office Action.
 U.S. Appl. No. 14/652,006, dated Jul. 12, 2016, Office Action.
 U.S. Appl. No. 29/523,032, dated Jul. 20, 2016, Notice of Allowance.
 U.S. Appl. No. 14/738,391, dated Aug. 4, 2016, Notice of Allowance.
 U.S. Appl. No. 14/652,006, dated Oct. 21, 2016, Final Office Action.
 U.S. Appl. No. 14/652,006, dated Feb. 22, 2017, Notice of Allowance.

(56)

References Cited

OTHER PUBLICATIONS

U.S. Appl. No. 15/159,523, dated Sep. 8, 2017, Office Action.
U.S. Appl. No. 15/159,523, dated Feb. 12, 2018, Office Action.
U.S. Appl. No. 15/159,523, dated Jul. 11, 2018, Notice of Allowance.

* cited by examiner

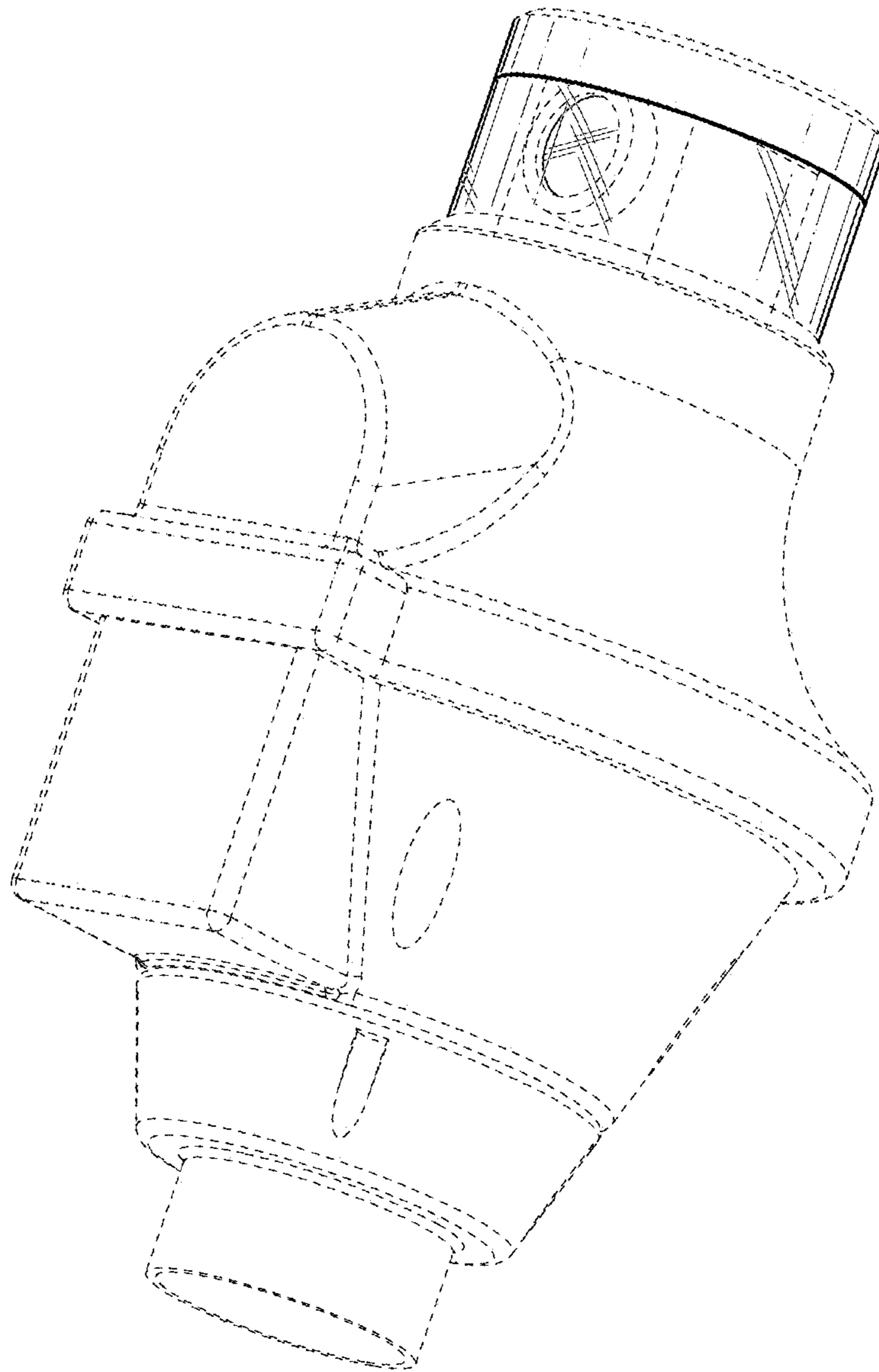


FIG. 1

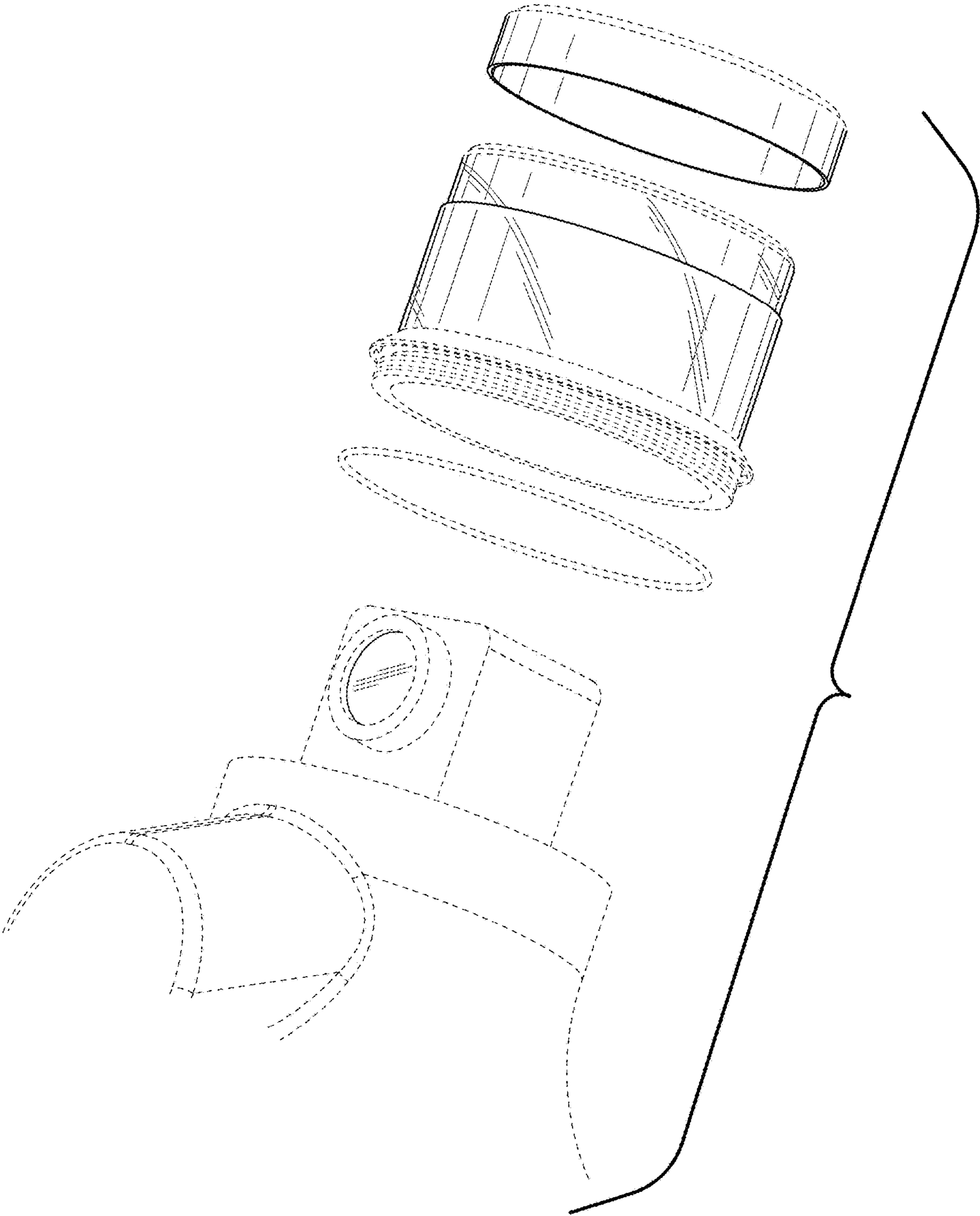


FIG. 2

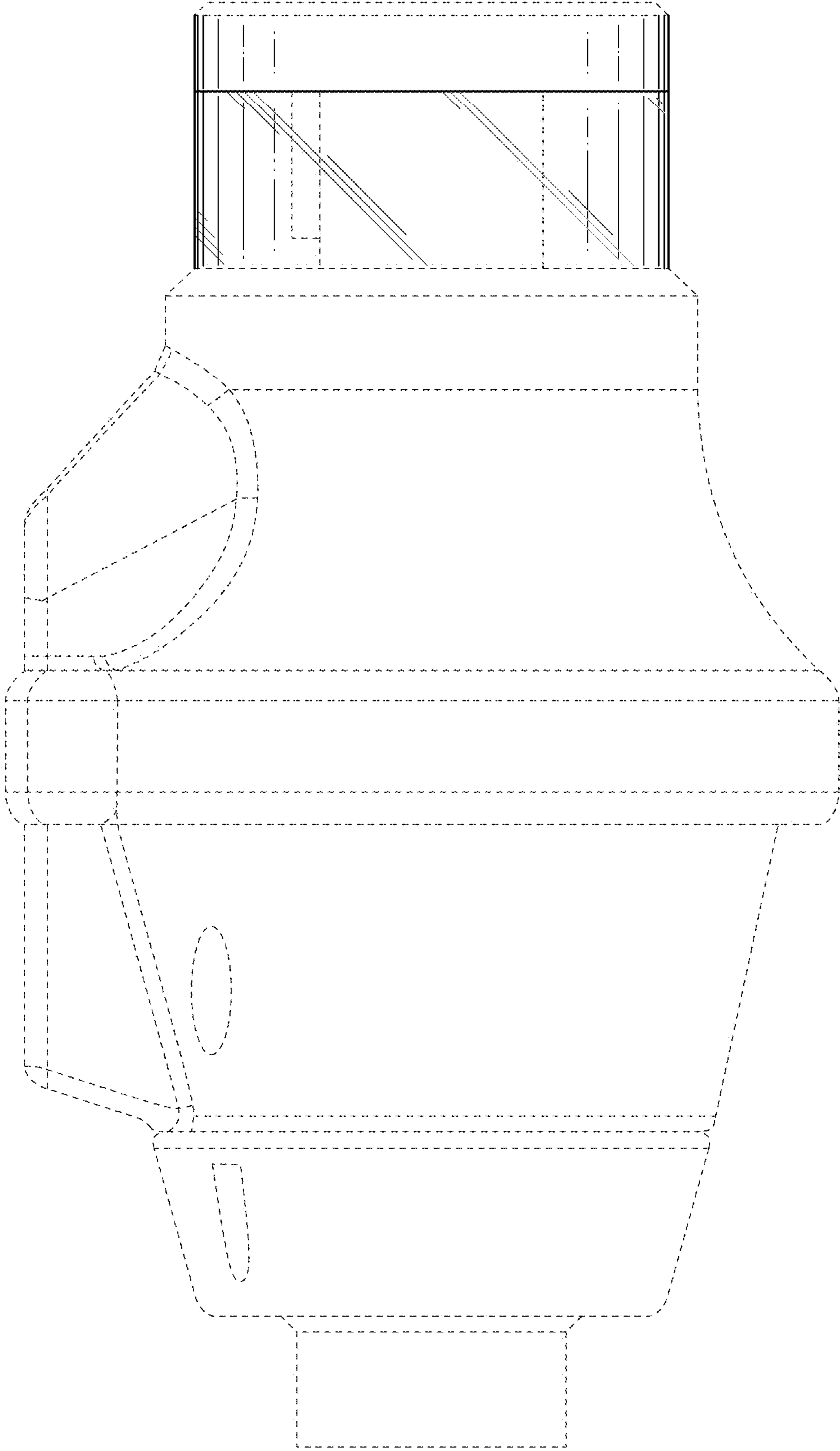


FIG. 3