



US00D968498S

(12) **United States Design Patent**
Zhang

(10) **Patent No.:** **US D968,498 S**

(45) **Date of Patent:** **** Nov. 1, 2022**

(54) **CAMERA**

(71) Applicant: **ZHEJIANG DAHUA TECHNOLOGY CO., LTD.**, Zhejiang (CN)

(72) Inventor: **Quan Zhang**, Hangzhou (CN)

(73) Assignee: **ZHEJIANG DAHUA TECHNOLOGY CO., LTD.**, Hangzhou (CN)

(**) Term: **15 Years**

(21) Appl. No.: **29/797,080**

(22) Filed: **Jun. 29, 2021**

Related U.S. Application Data

(62) Division of application No. 29/656,338, filed on Jul. 11, 2018, now Pat. No. Des. 926,857.

(30) **Foreign Application Priority Data**

Jan. 22, 2018 (CN) 201830028746.2
May 22, 2018 (CN) 201830239893.4

(51) **LOC (13) Cl.** **16-06**

(52) **U.S. Cl.**
USPC **D16/218**

(58) **Field of Classification Search**
USPC D16/218, 200, 202, 203, 208, 219, 242
CPC G03B 17/02; G03B 15/006; G03B 17/561;
G03B 17/56; G03B 15/03; H04N 5/2253;
H04N 5/2254; H04N 7/181; H04N 7/183;
H04N 5/2251; H04N 5/2252; B64C
39/024; B64C 2201/123; B64D 47/08;
F16M

(Continued)

(56) **References Cited**

U.S. PATENT DOCUMENTS

D312,649 S 12/1990 Sakuta
D509,842 S * 9/2005 Ou D16/202
D582,955 S 12/2008 Sekine et al.

(Continued)

OTHER PUBLICATIONS

Dahua HACME1200DP LED0280BS4 HDCVI MotionEye, Image upload date: Unknown, Image retrieved on: Nov. 30, 2021 (online), <<https://www.controlex-shop.com/en/Video-Surveillance/HDCVI-Cameras/HDCVI-2MP/Dahua-HAC-ME1200DP-LED-0280B-S4-HDCVI-MotionEye.html>>.*

(Continued)

Primary Examiner — Sheryl Lane

Assistant Examiner — Ieisha N Price

(74) *Attorney, Agent, or Firm* — Metis IP LLC

(57) **CLAIM**

The ornamental design for a camera, as shown and described.

DESCRIPTION

FIG. 1 is a perspective view of the camera showing our new design;

FIG. 2 is a front view thereof;

FIG. 3 is a rear view thereof;

FIG. 4 is a left view thereof;

FIG. 5 is a right view thereof;

FIG. 6 is a top view thereof;

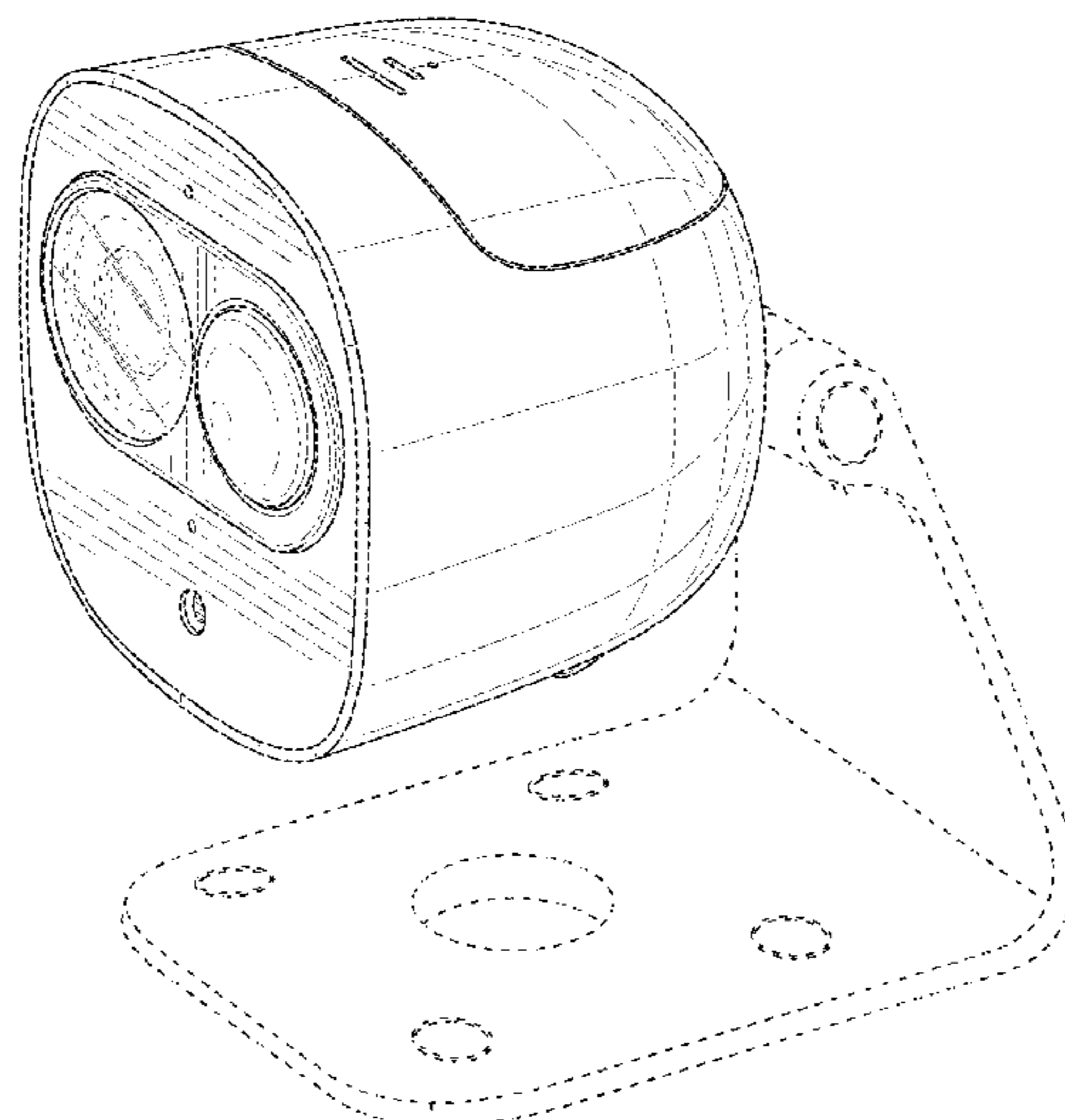
FIG. 7 is a bottom view thereof;

FIG. 8 is a first perspective view of the camera supported by a bracket; and,

FIG. 9 is a second perspective view of the camera supported by a bracket.

The shade lines in the drawing is are intended to show the contours of the claimed design, not surface ornamentation, and form no part of the claimed design. The broken lines showing of the support brackets in FIGS. 8 and 9 illustrate the environments of the claimed design and form no part of thereof. The remaining broken lines in the drawings illustrate portions of the camera and form no part of the claimed design.

1 Claim, 9 Drawing Sheets



(58) **Field of Classification Search**
 CPC .. 11/18; F16M 13/022; G08B 13/1963; G08B
 13/19619; G08B 13/19632
 See application file for complete search history.

(56) **References Cited**

U.S. PATENT DOCUMENTS

7,480,455 B2 * 1/2009 Lin G03B 17/02
 348/E5.026
 D595,328 S 6/2009 Kim et al.
 D616,480 S 5/2010 Ookawa et al.
 D624,106 S 9/2010 Cho et al.
 D624,108 S 9/2010 Wang et al.
 D644,203 S * 8/2011 Hoehn D14/215
 D647,933 S 11/2011 Raken et al.
 D649,573 S 11/2011 Ai
 D668,283 S 10/2012 Ohno et al.
 D671,157 S 11/2012 Richardson et al.
 D678,929 S * 3/2013 Hancock D16/203
 D693,868 S 11/2013 Ying
 D702,274 S 4/2014 Qian et al.
 D711,451 S 8/2014 Katsuyama
 D713,104 S * 9/2014 Sproviero D30/199
 D727,387 S 4/2015 Hasegawa et al.
 D727,991 S 4/2015 Hasegawa et al.
 D730,423 S * 5/2015 Vandebussche D16/218
 D733,784 S * 7/2015 Yamashita D16/218
 D736,292 S 8/2015 Fengmin et al.
 D740,871 S 10/2015 Moon et al.
 D745,589 S 12/2015 Lee et al.
 D748,709 S 2/2016 Jeong
 D753,207 S 4/2016 Katori et al.
 D754,233 S * 4/2016 Du D16/211
 D760,312 S 6/2016 Lee et al.
 D762,759 S 8/2016 Wu et al.
 D769,345 S 10/2016 Hinkel
 D769,956 S 10/2016 Hinkel
 D772,325 S 11/2016 Hinkel
 D773,547 S 12/2016 Lee et al.
 D773,706 S 12/2016 Ookawa et al.
 D776,180 S * 1/2017 Fiedler D16/202
 D777,817 S 1/2017 Holbrook et al.
 D785,067 S 4/2017 Ramones et al.
 D785,068 S * 4/2017 Patsis D16/218
 D788,835 S 6/2017 Wu et al.
 D795,944 S 8/2017 Mitchell
 D813,289 S 3/2018 Laffon De Mazieres et al.
 D813,925 S 3/2018 Park
 D814,544 S 4/2018 Moon et al.
 D818,028 S 5/2018 Ramones et al.
 D821,477 S 6/2018 Moon et al.
 D823,369 S 7/2018 Wang et al.
 D831,089 S * 10/2018 Laffon de Mazieres D16/202
 D832,329 S 10/2018 Li
 D843,431 S 3/2019 Jacob et al.
 D845,373 S 4/2019 Mittleman et al.
 D848,504 S 5/2019 Amman et al.
 D849,110 S * 5/2019 Khubani D16/218
 D854,070 S 7/2019 Tani et al.

D858,604 S 9/2019 Clement et al.
 D858,605 S 9/2019 Tang et al.
 D863,398 S 10/2019 Huang
 D863,401 S 10/2019 Hasani
 D869,540 S 12/2019 Huang
 D870,791 S 12/2019 Hasani
 D873,891 S * 1/2020 Zeng D16/218
 D874,531 S 2/2020 Chen
 D874,532 S 2/2020 Chen
 D879,859 S 3/2020 Jacob et al.
 D884,770 S 5/2020 Xue et al.
 D886,177 S 6/2020 Ramones et al.
 D886,884 S 6/2020 Hathway et al.
 D887,474 S 6/2020 Yeh et al.
 D888,795 S 6/2020 Yuan
 D891,508 S 7/2020 Hathway et al.
 10,718,996 B2 7/2020 Ramones et al.
 D892,896 S 8/2020 Gartrell et al.
 D892,897 S 8/2020 Gartrell et al.
 D892,898 S 8/2020 Jacob et al.
 D893,576 S 8/2020 Kyte et al.
 D894,994 S * 9/2020 Yu D16/218
 D896,861 S 9/2020 Hokari
 D903,738 S 12/2020 Yalazoglu
 D904,486 S * 12/2020 Xiong D16/208
 D904,487 S * 12/2020 Xiong D16/208
 D905,780 S * 12/2020 Zhu D16/218
 D905,781 S * 12/2020 Liu D16/218
 D906,399 S * 12/2020 Wang D16/203
 D907,282 S * 1/2021 Hathway D26/118
 D908,765 S * 1/2021 Wang D16/203
 D909,451 S * 2/2021 Hamlin D16/208
 D912,122 S * 3/2021 McManigal D16/203
 D913,286 S * 3/2021 Thompson D14/420
 D914,076 S * 3/2021 Abel D16/202
 D917,603 S * 4/2021 O'Connor D16/218
 D921,086 S * 6/2021 Li D16/203
 D926,857 S * 8/2021 Zhang D16/218
 D926,858 S * 8/2021 Yalazoglu D16/218
 D928,218 S * 8/2021 Liu D16/218
 D928,219 S * 8/2021 Yang D16/218
 D930,061 S * 9/2021 He D16/202
 D930,062 S * 9/2021 Abel D16/219
 D934,942 S * 11/2021 Kawamoto D16/211
 2003/0093805 A1 5/2003 Gin
 2017/0085757 A1 * 3/2017 Ramones H04N 5/2252
 2017/0195533 A1 * 7/2017 Seo G03B 37/00
 2017/0363932 A1 * 12/2017 Lim F16M 11/2014
 2018/0084160 A1 3/2018 Miyashita
 2021/0250472 A1 * 8/2021 Liu H04N 5/2252

OTHER PUBLICATIONS

Dahua IPCC26EN 2MP H265 Wireless Mini IP Security Camera,
 Image upload date: Unknown, Image retrieved on: Nov. 30, 2021
 (online), <<https://www.a1securitycameras.com/dahua-ipc-c26en-2mp-h-265-wireless-mini-ip-security-camera-with-active-alarm-and-pir-detector.html>>.*

* cited by examiner

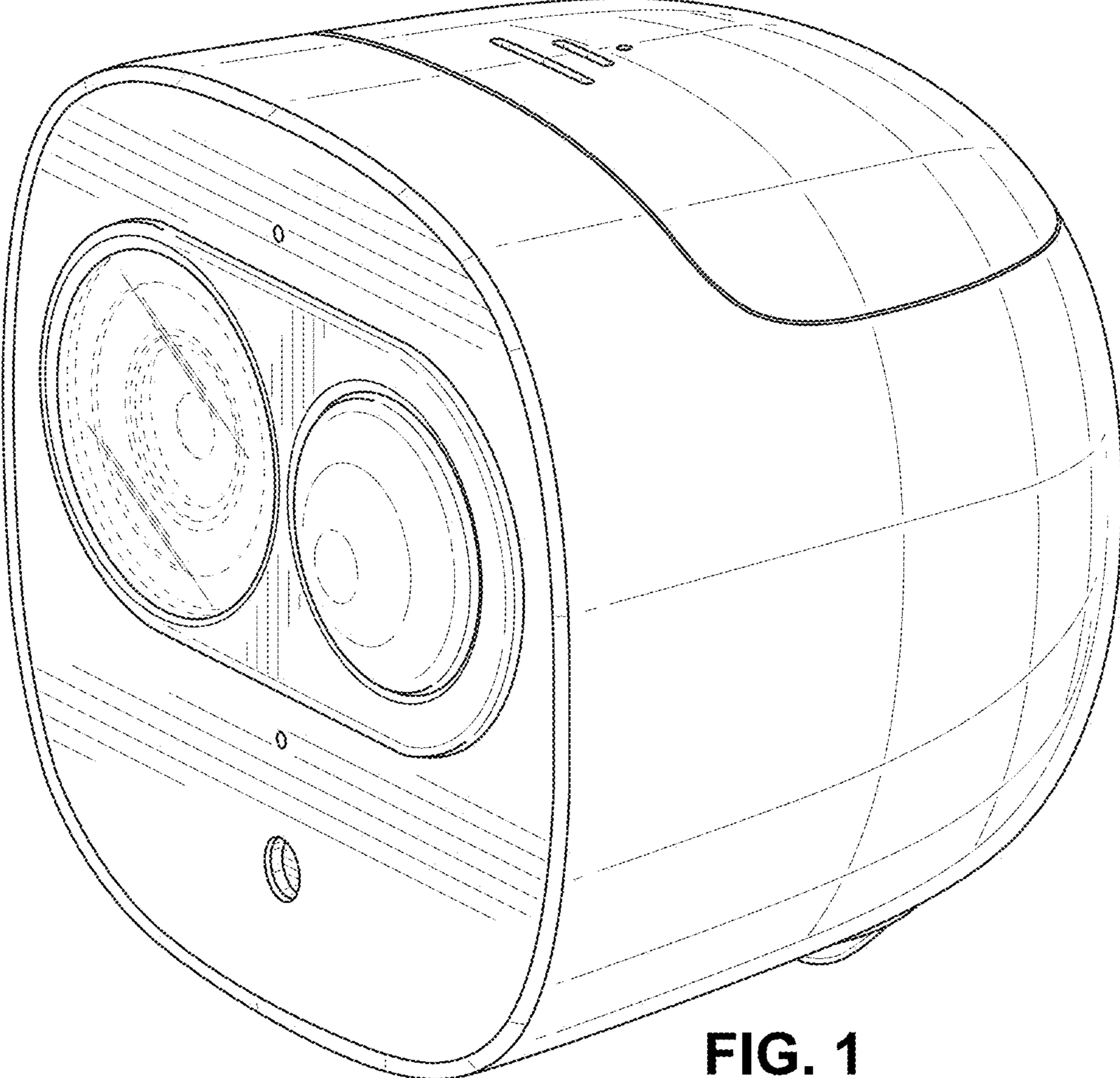


FIG. 1

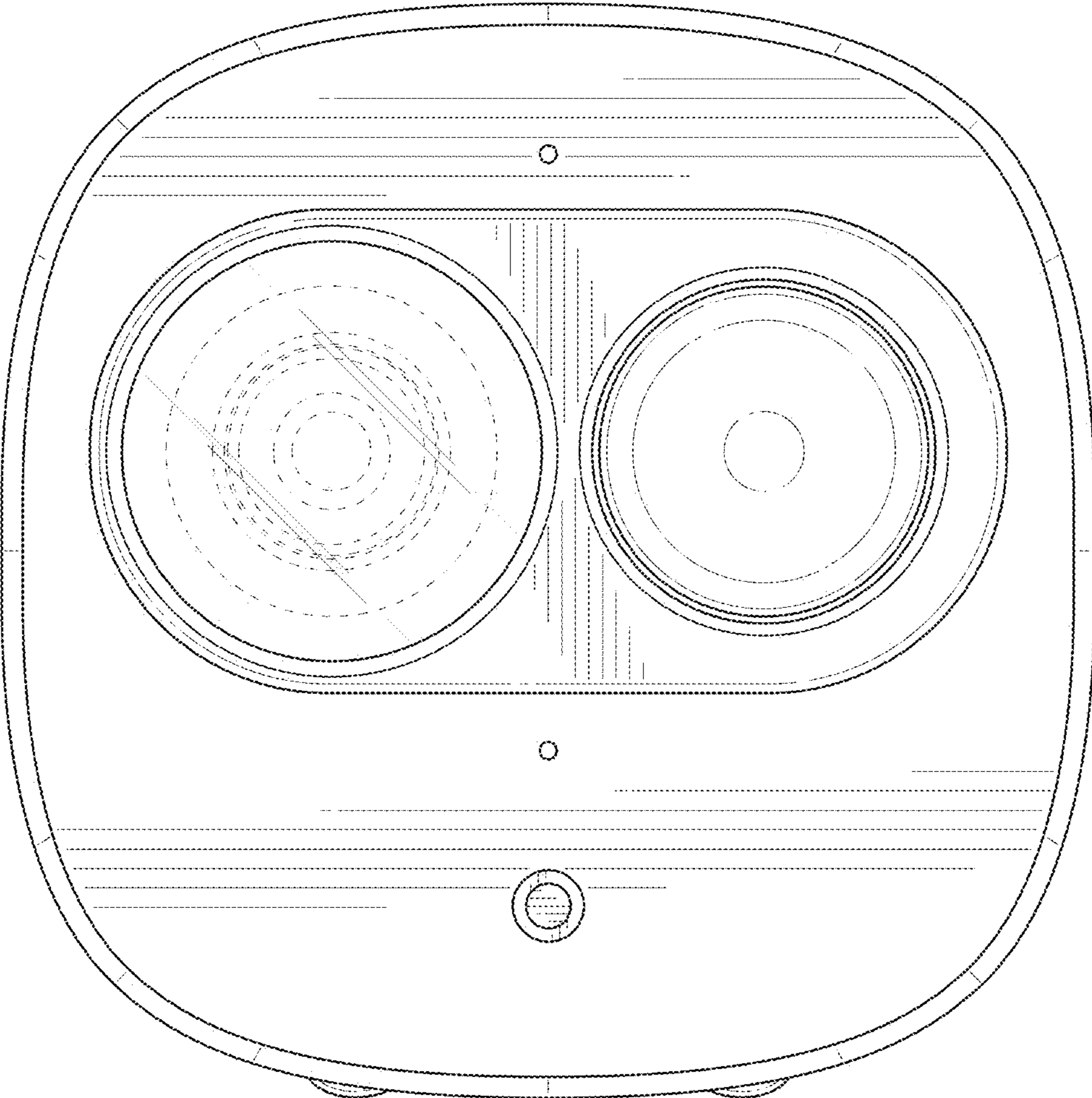


FIG. 2

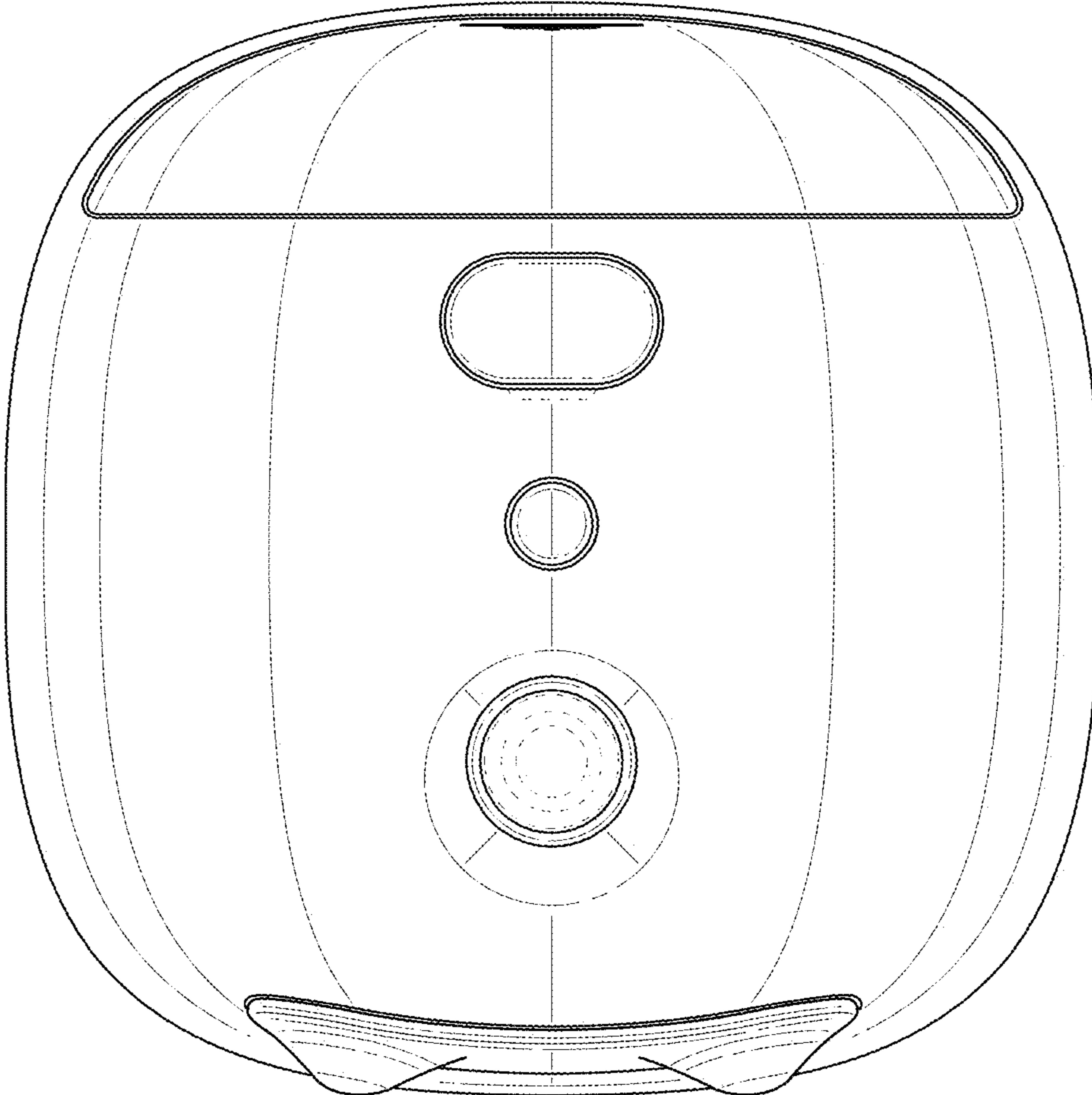


FIG. 3

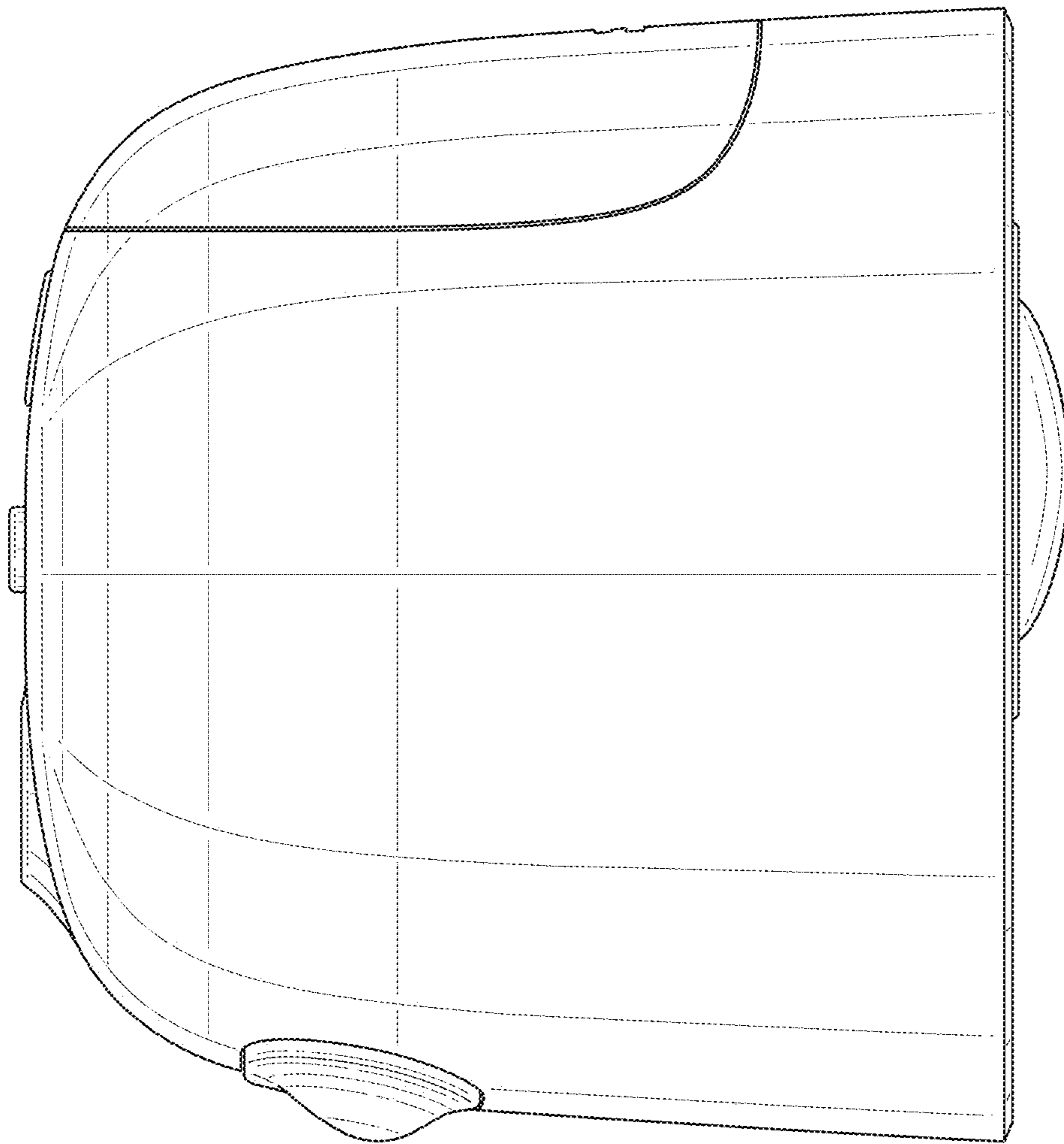


FIG. 4

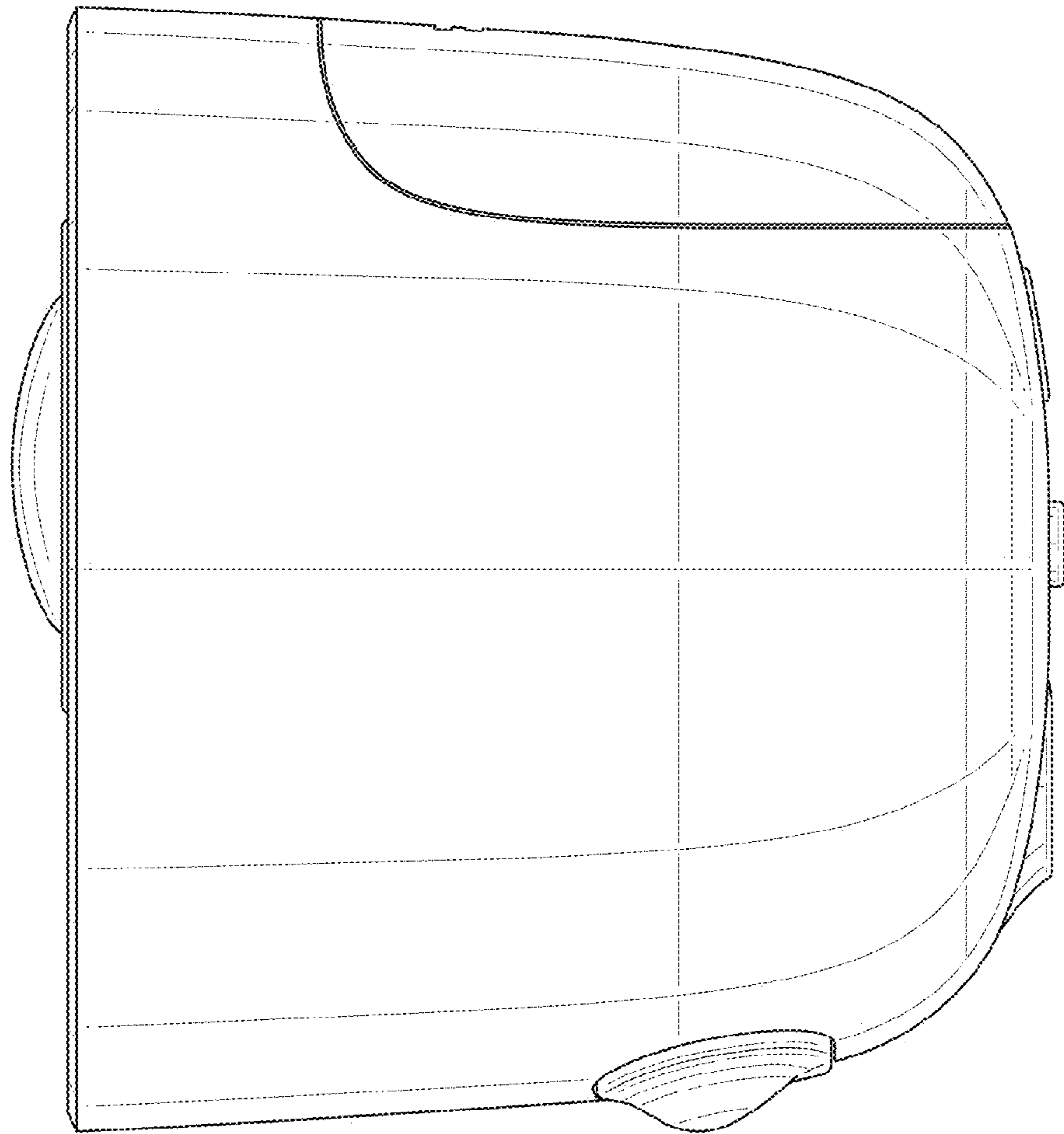


FIG. 5

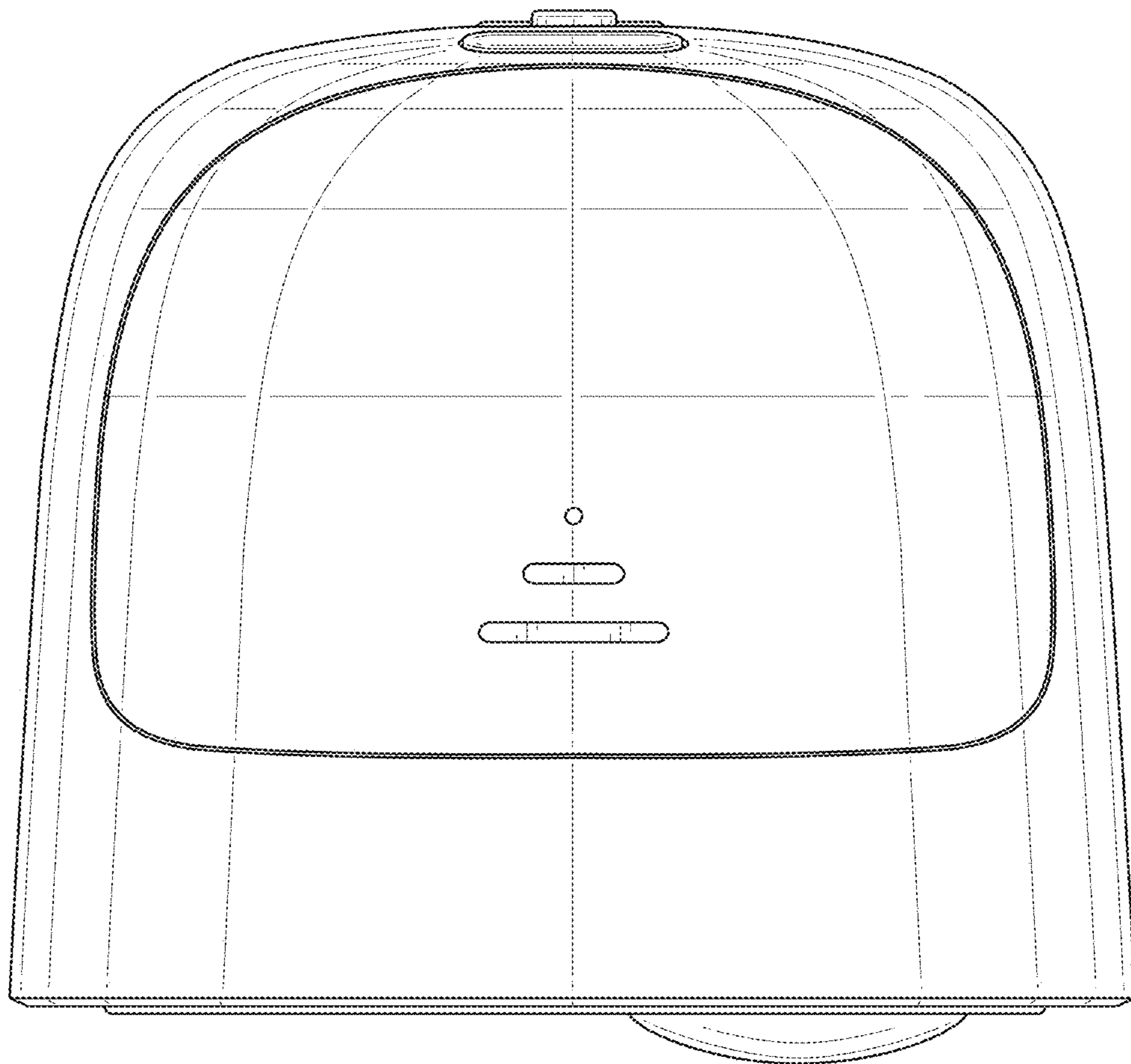


FIG. 6

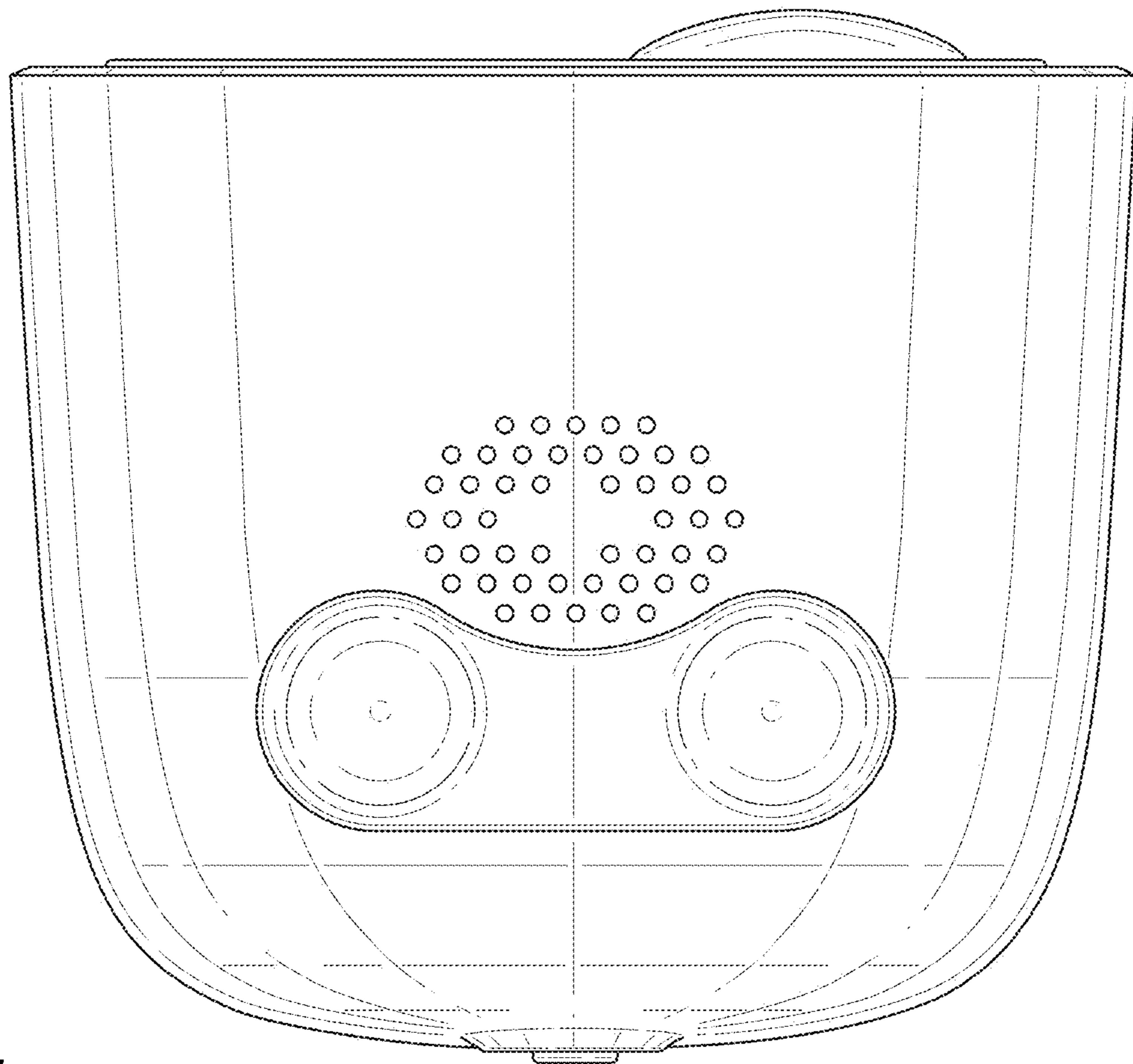
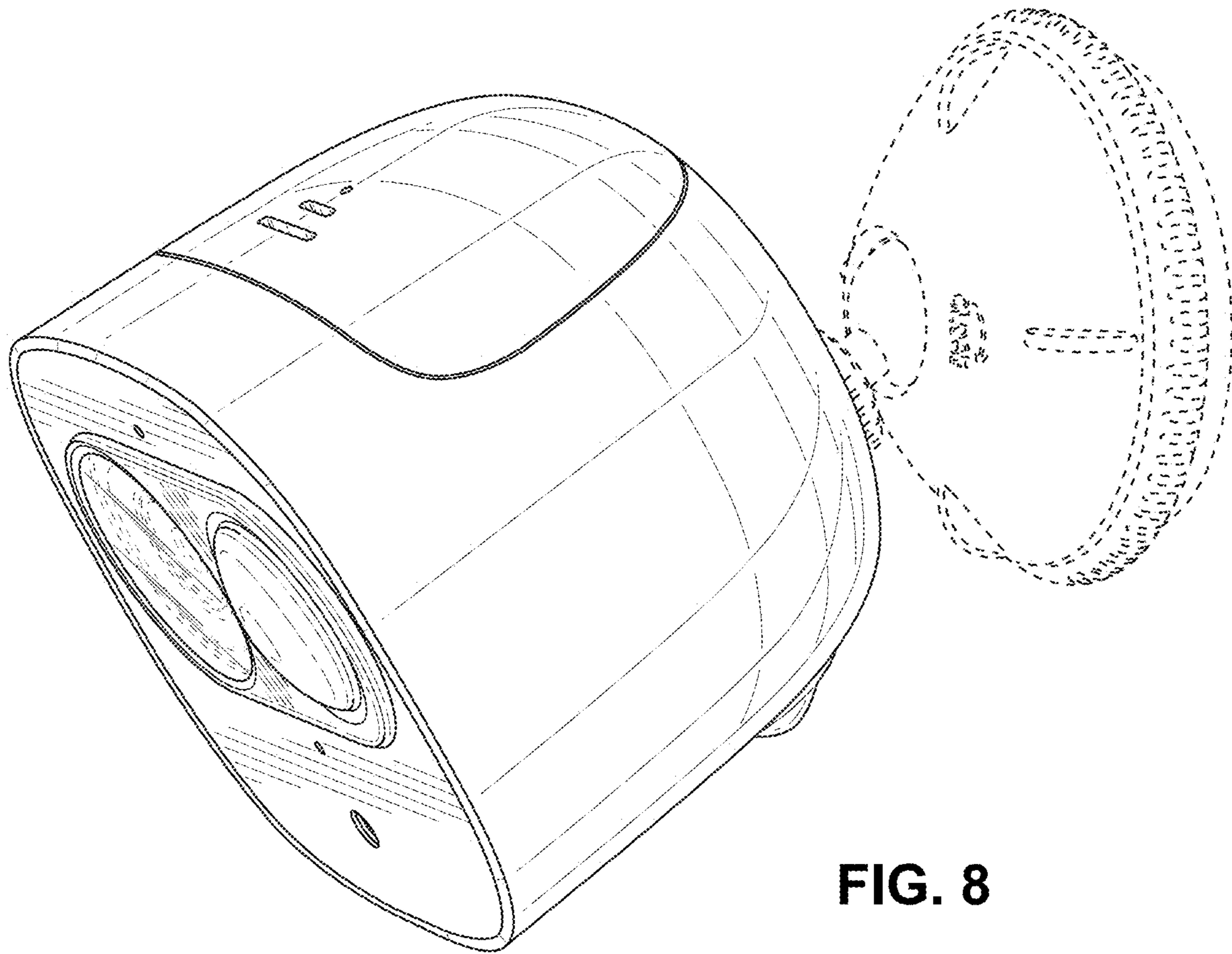


FIG. 7



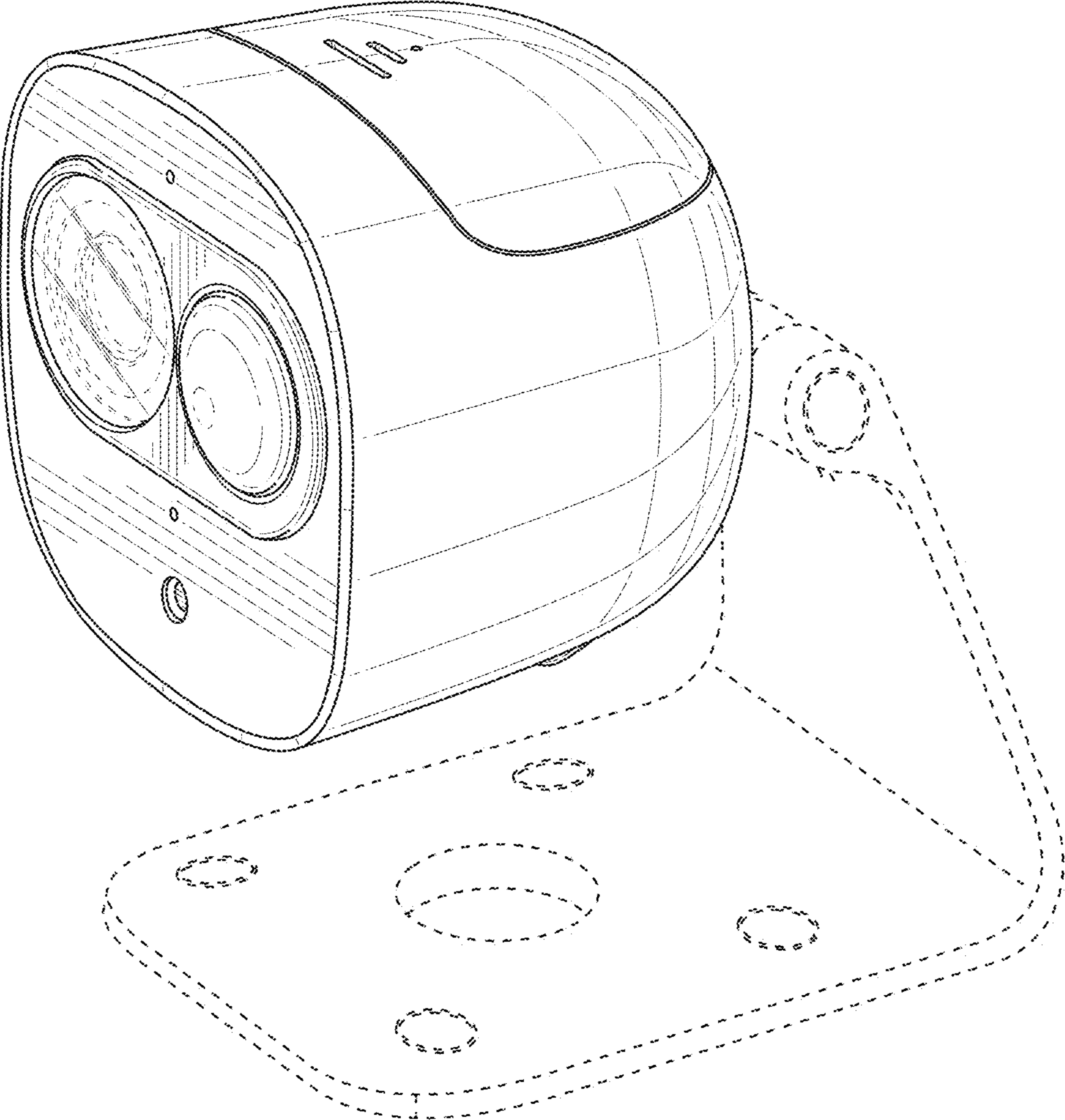


FIG. 9