



US00D968494S

(12) **United States Design Patent** (10) **Patent No.:** **US D968,494 S**
Jain et al. (45) **Date of Patent:** **** Nov. 1, 2022**

(54) **MICROSCOPE TOY**

(56) **References Cited**

(71) Applicant: **SMARTIVITY LABS PVT. LTD.,**
New Delhi (IN)

(72) Inventors: **Rajat Jain, New Delhi (IN); Surjeesh Laishram, New Delhi (IN)**

(73) Assignee: **SMARTIVITY LABS PVT. LTD.,**
New Delhi (IN)

(**) Term: **15 Years**

(21) Appl. No.: **29/720,783**

(22) Filed: **Jan. 15, 2020**

(51) **LOC (13) Cl.** **16-06**

(52) **U.S. Cl.**
USPC **D16/131; D21/529**

(58) **Field of Classification Search**
USPC D10/70, 109.1, 109.2; D16/134, 130, D16/131, 132, 133, 135, 136, 202-208, D16/245, 219; D24/120, 113, 118, 119, D24/121, 122, 124, 125, 128; D21/514, D21/483, 529

CPC ... G01C 3/00; G01C 3/02; G01C 3/04; G01C 3/06; G01C 3/08; G01C 3/085; G01C 3/10; G01C 3/12; G01C 3/16; G01C 3/18; G01C 3/20; G01C 3/22; G01C 3/24; G01C 3/26; G01C 3/28; G01C 3/30; G01C 3/32; B60Q 1/04; B60Q 1/26; F21S 8/026; F21S 8/04; F21V 29/004; F21V 21/02; F21V 29/2212; F21Y 2101/02; G02B 27/026; G02B 23/16; G02B 2003/0093; G02B 3/04; G02B 21/00; G02B 21/0008; G02B 21/22; G02B 21/24; G02B 21/084; G02B 21/0016; H04J 11/00; H04J 13/00; E06B 9/24; G03B 17/02; C03B 2215/46

See application file for complete search history.

U.S. PATENT DOCUMENTS

D340,251	S	*	10/1993	Frenkler	D16/131
D345,746	S	*	4/1994	Holbl	D16/131
D419,168	S	*	1/2000	Franks	D16/131
D420,028	S	*	2/2000	Wani	D16/131
D461,201	S	*	8/2002	Apotheloz	D16/131
D477,008	S	*	7/2003	Asaka	D16/131
D681,087	S	*	4/2013	Kung	D16/131
D754,229	S	*	4/2016	Aschenbach	D16/131
D843,429	S	*	3/2019	Cramb	D16/131
2006/0198019	A1	*	9/2006	Pomerantz	G02B 21/0016 359/368
2006/0262390	A1	*	11/2006	Vaccarelli	A61B 90/36 359/368
2007/0047072	A1	*	3/2007	Zimmer	G02B 21/22 359/377
2010/0259816	A1	*	10/2010	Feger	G02B 21/084 359/385

* cited by examiner

Primary Examiner — Richard Kearney
Assistant Examiner — Benjamin M Weeks
(74) *Attorney, Agent, or Firm* — Kunzler Bean & Adamson

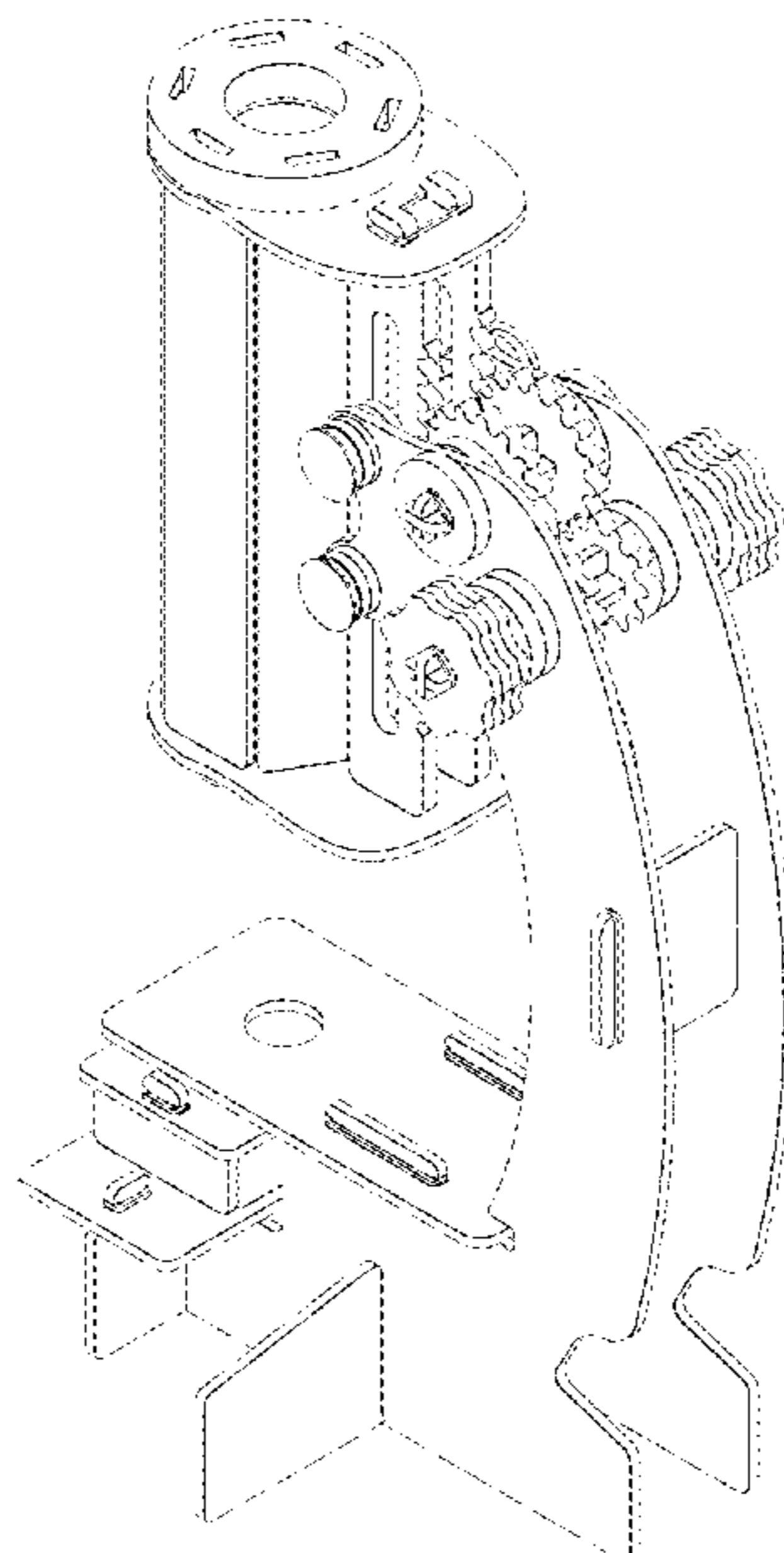
(57) **CLAIM**

The ornamental design for a microscope toy, as shown and described.

DESCRIPTION

FIG. 1 is a perspective view of a microscope toy;
FIG. 2 is a front view of the microscope toy;
FIG. 3 is a rear view of the microscope toy;
FIG. 4 is a top view of the microscope toy;
FIG. 5 is a bottom view of the microscope toy;
FIG. 6 is a left view of the microscope toy; and,
FIG. 7 is a right view of the microscope toy.

1 Claim, 7 Drawing Sheets



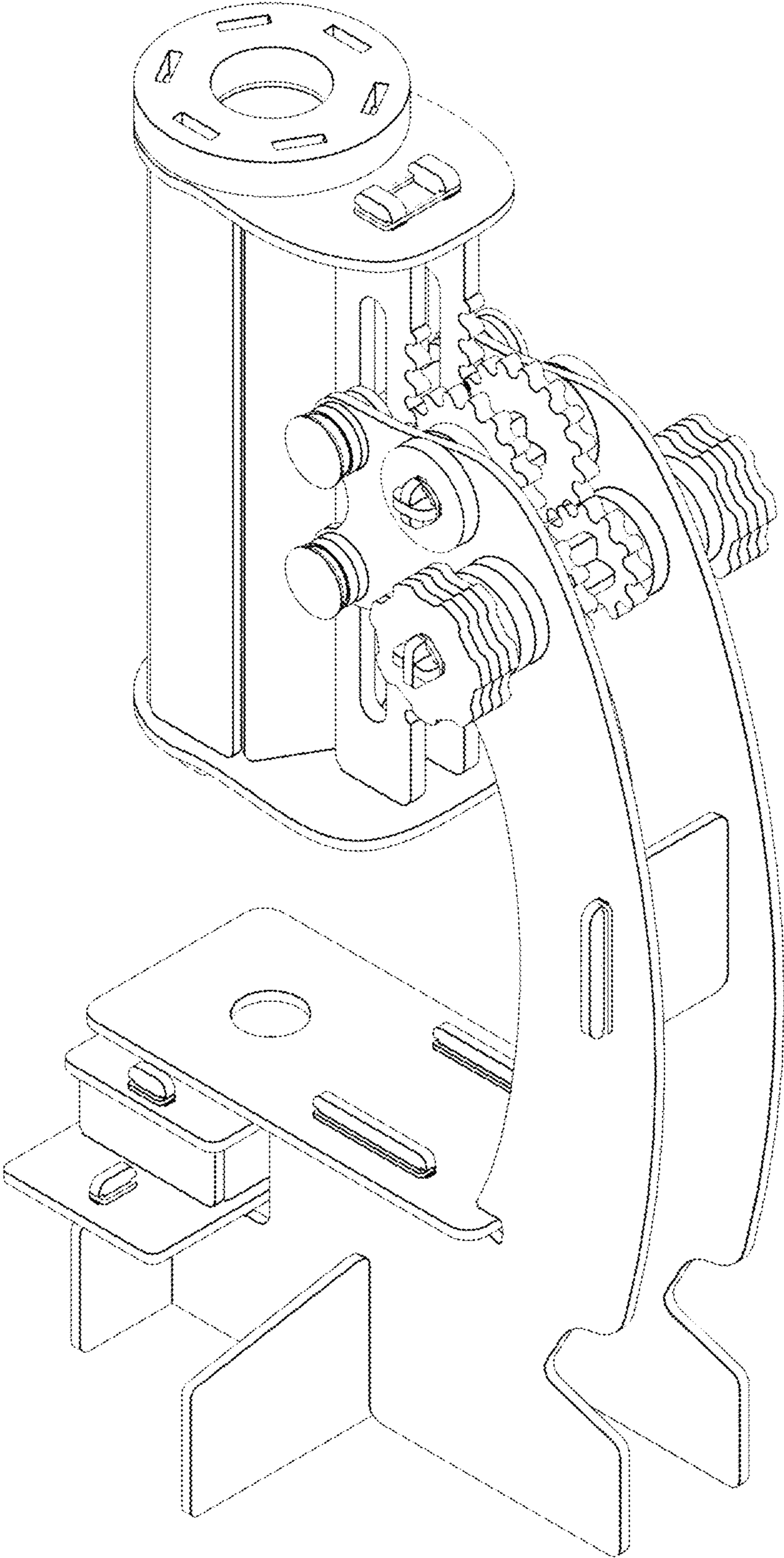


FIGURE 1

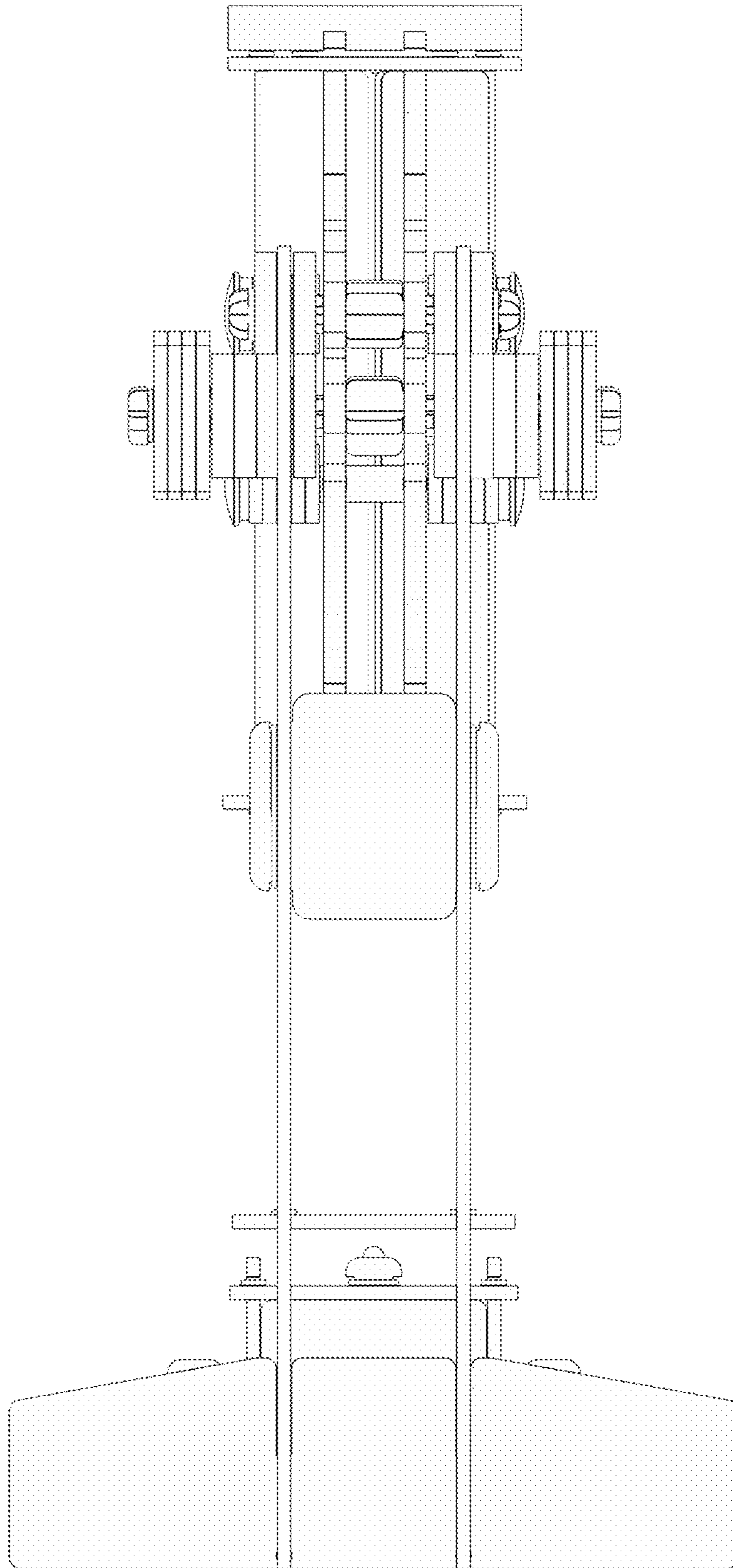


FIGURE 2

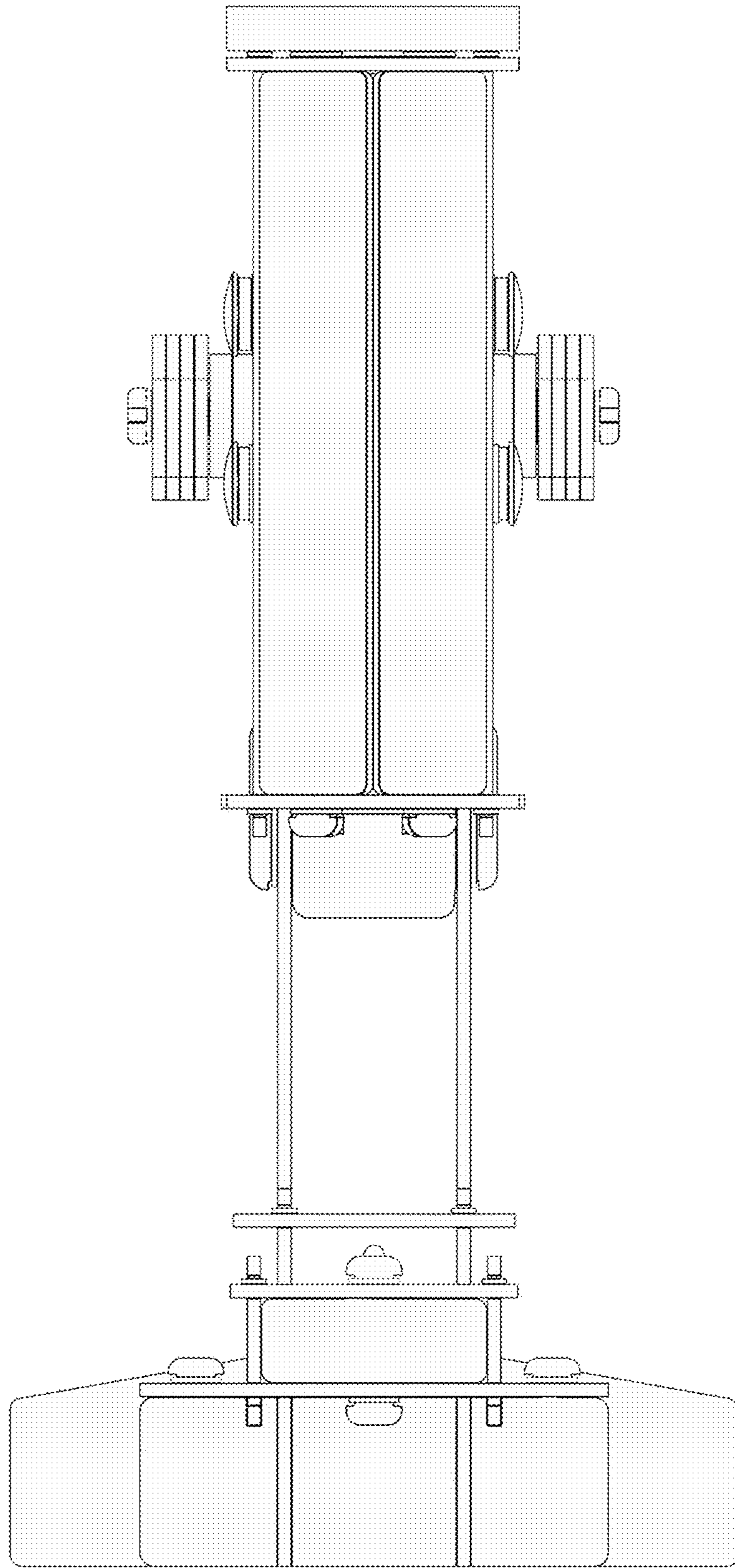


FIGURE 3

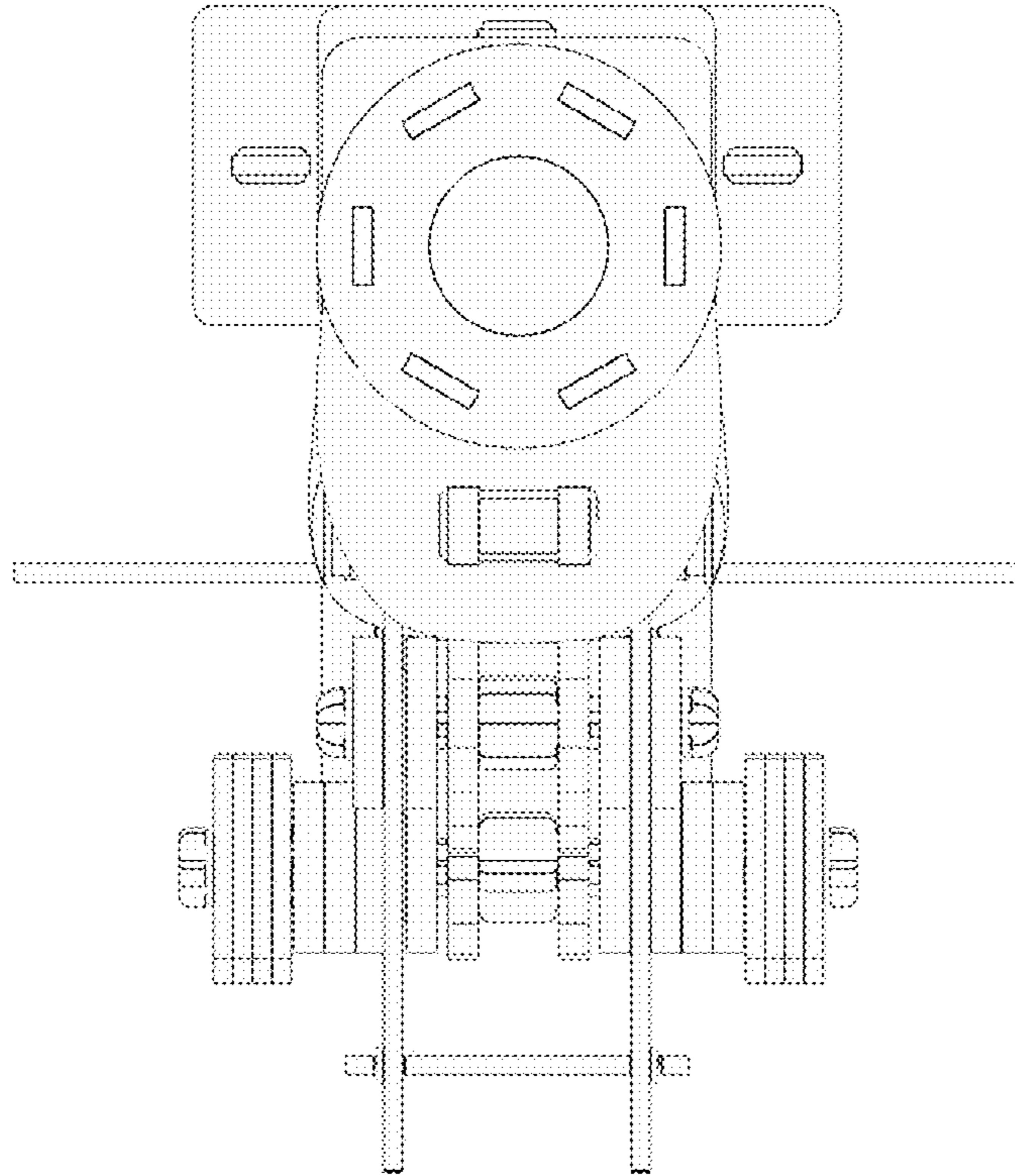


FIGURE 4

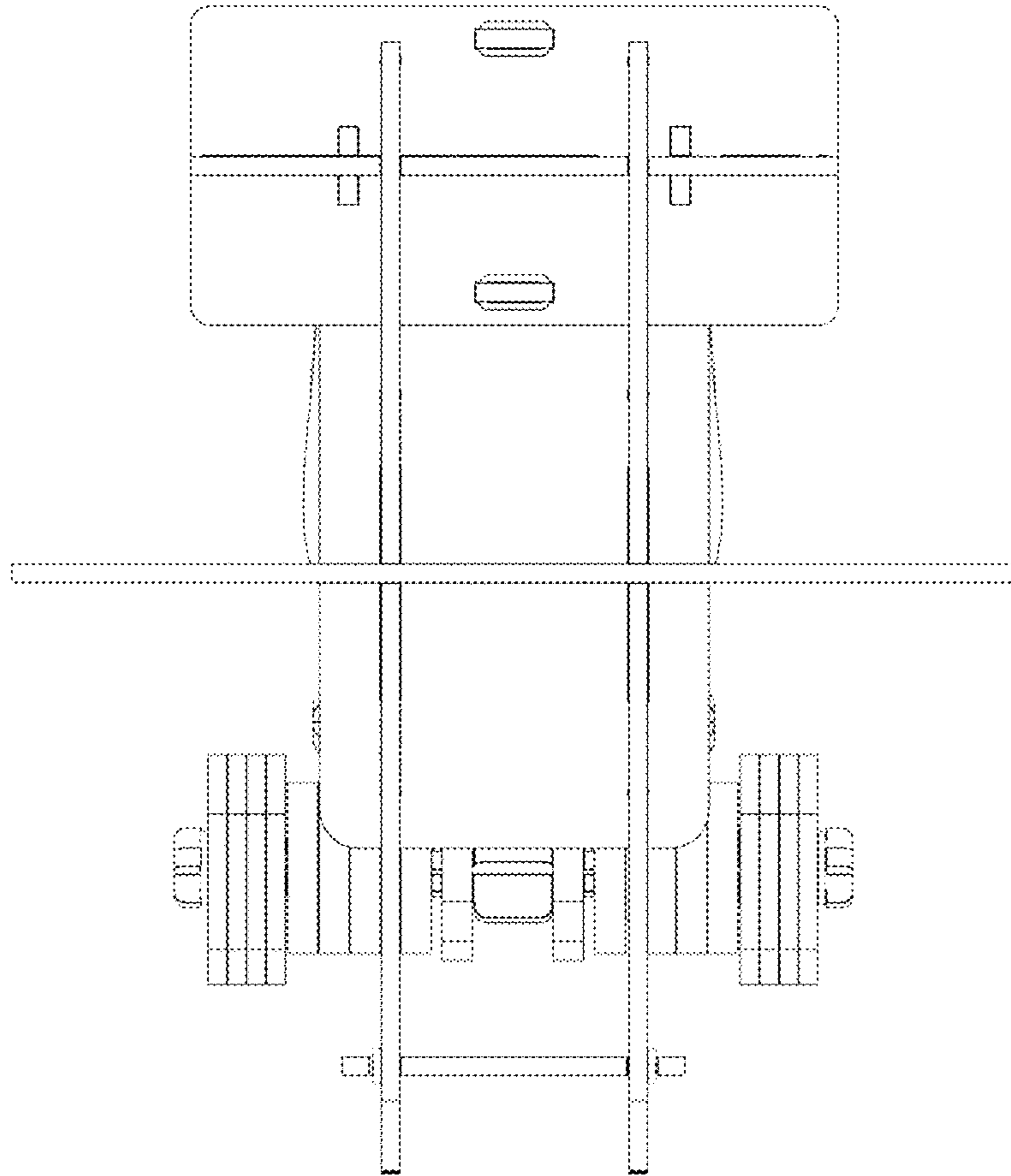


FIGURE 5

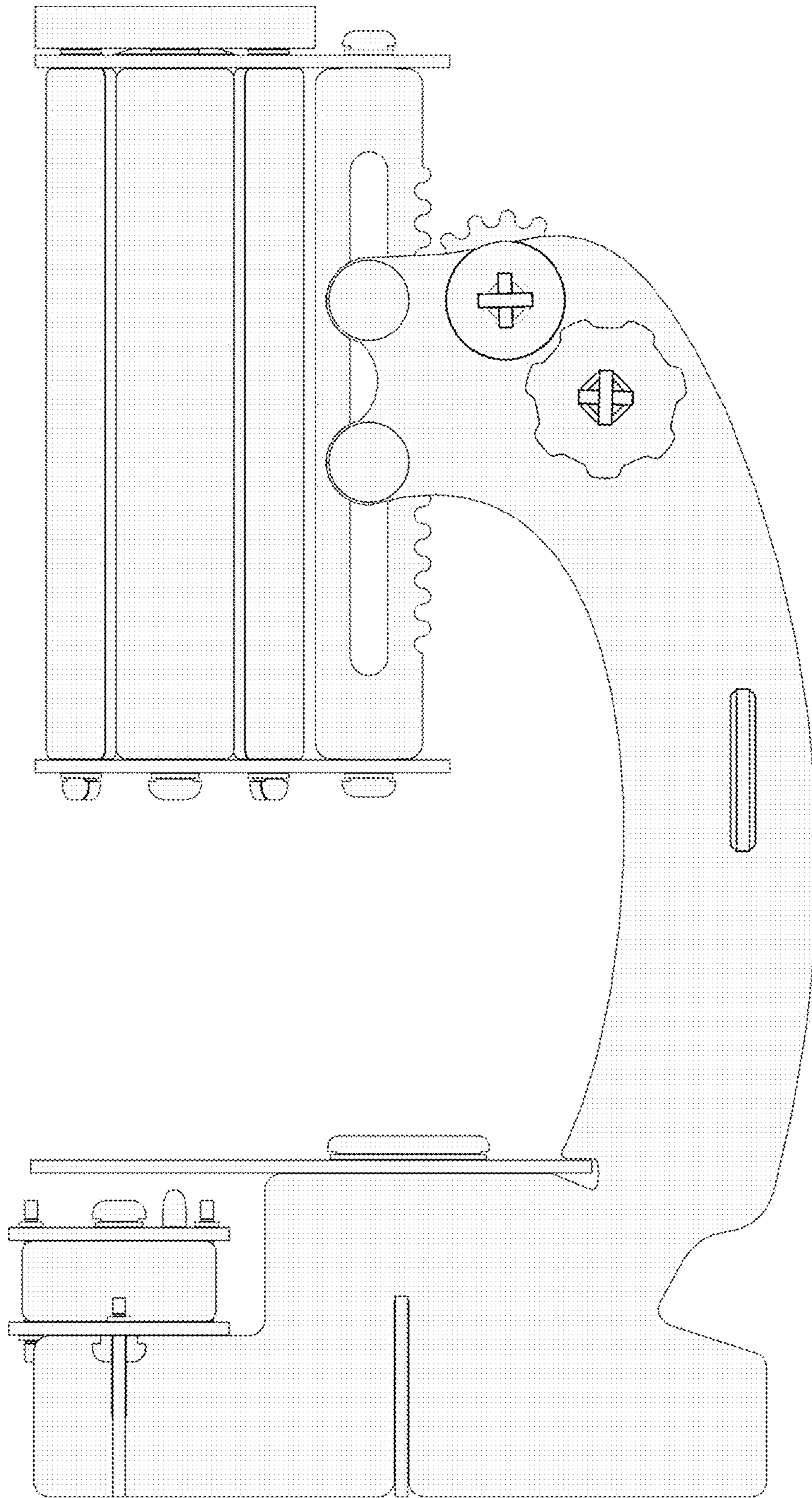


FIGURE 6

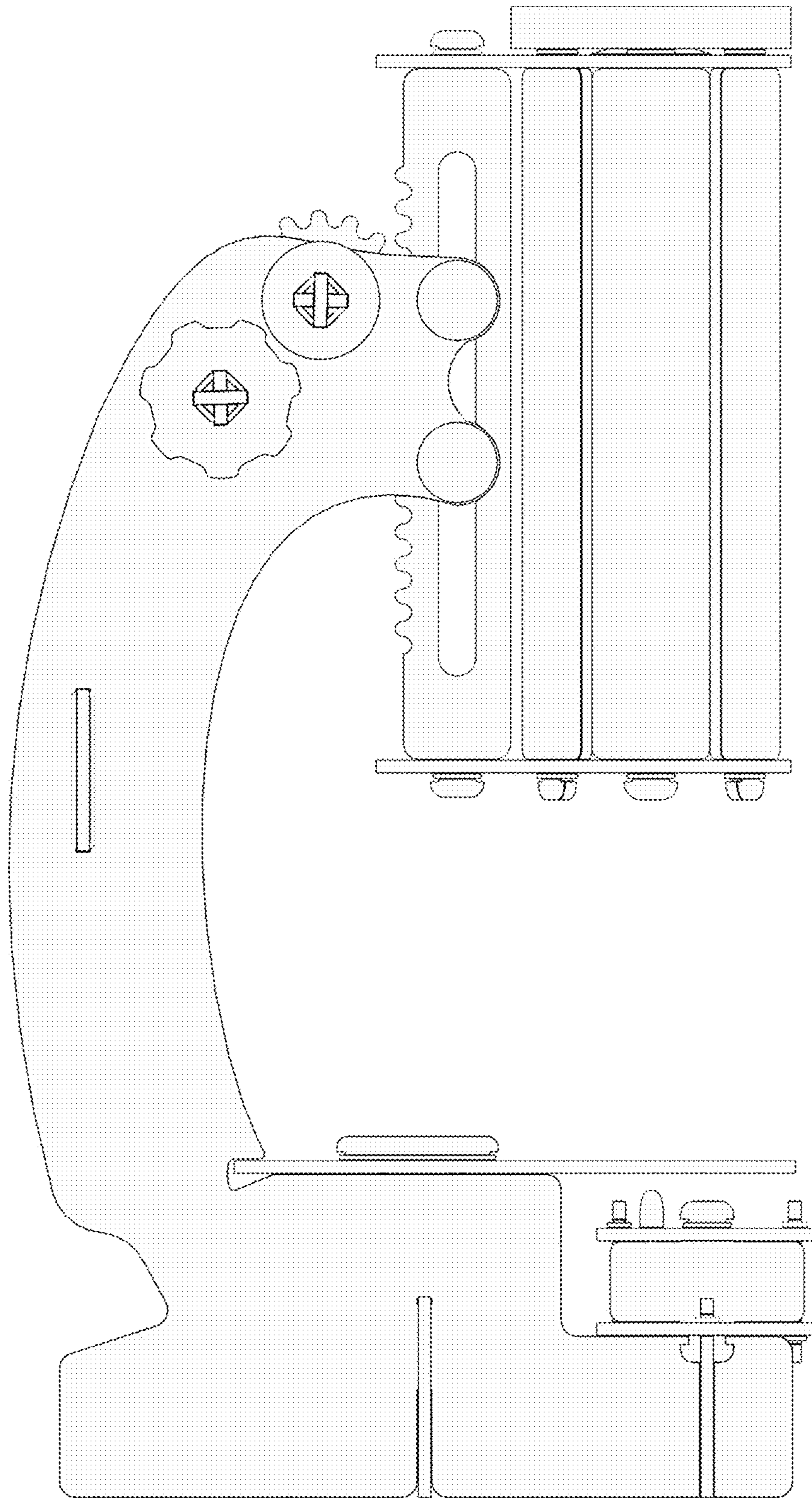


FIGURE 7