



US00D968493S

(12) **United States Design Patent** (10) **Patent No.:** **US D968,493 S**  
**Chen** (45) **Date of Patent:** **\*\* Nov. 1, 2022**

(54) **WATCH WINDER**  
(71) Applicant: **Kehuangda (Guangzhou) Trading Co., Ltd.**, Guangzhou (CN)  
(72) Inventor: **Tao Chen**, Guangzhou (CN)  
(73) Assignee: **Kehuangda (Guangzhou) Trading Co., Ltd.**, Guangzhou (CN)  
(\*\*) Term: **15 Years**  
(21) Appl. No.: **29/787,064**  
(22) Filed: **Jun. 4, 2021**  
(51) **LOC (13) Cl.** ..... **15-99**  
(52) **U.S. Cl.**  
USPC ..... **D15/199**  
(58) **Field of Classification Search**  
USPC ..... D3/273-294, 298; D9/414, 418, 420, D9/421, 423, 431-432; D15/199  
CPC ... G04B 5/00; G04B 5/04; G04D 7/00; G04D 7/009  
See application file for complete search history.

(56) **References Cited**  
U.S. PATENT DOCUMENTS  
5,988,871 A \* 11/1999 Bonnet ..... G04B 3/006 81/7.5  
D452,256 S \* 12/2001 Wolf ..... D15/199  
D513,568 S \* 1/2006 Au ..... G04D 7/009 D3/294  
D556,227 S \* 11/2007 Au ..... D15/199  
7,575,367 B2 \* 8/2009 Wolf, V ..... G04D 7/009 81/7.5  
D607,028 S \* 12/2009 Subilia ..... D15/199  
7,927,009 B2 \* 4/2011 Huang ..... G04D 7/009 439/701  
D658,696 S \* 5/2012 Au ..... D15/199  
8,714,813 B2 \* 5/2014 Liao ..... H02J 50/10 320/108

D707,118 S \* 6/2014 Au ..... D9/418  
D722,633 S \* 2/2015 Au ..... D15/199  
D931,924 S \* 9/2021 Huang ..... D15/199  
D932,532 S \* 10/2021 Huang ..... D15/199  
D939,005 S \* 12/2021 Huang ..... D15/199  
2005/0254352 A1 \* 11/2005 Wolf, V ..... G04D 7/009 368/206  
2007/0223319 A1 \* 9/2007 Hill ..... G04D 7/009 368/206

(Continued)

*Primary Examiner* — Patricia A Palasik  
(74) *Attorney, Agent, or Firm* — Westbridge IP LLC

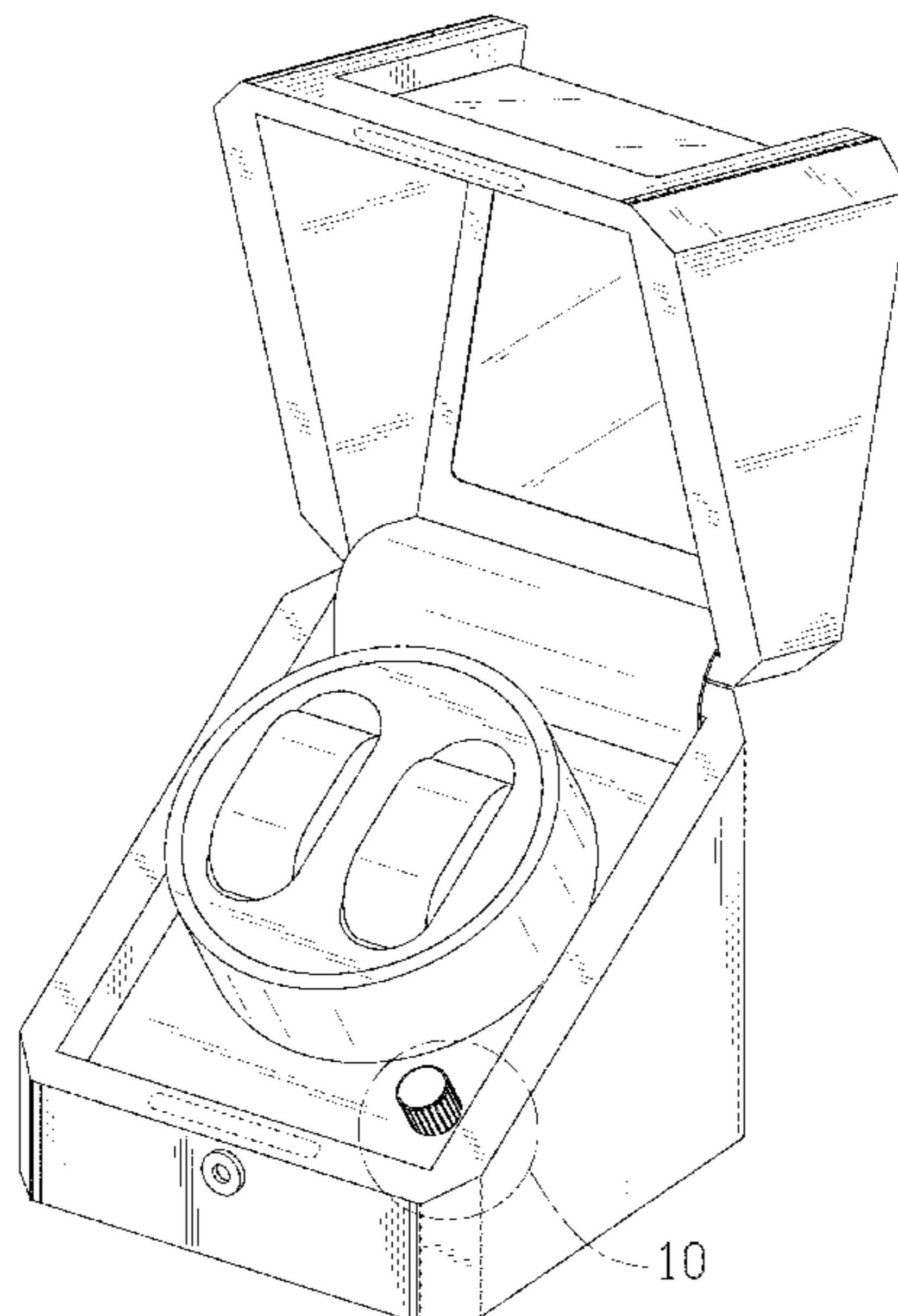
(57) **CLAIM**

The ornamental design for a watch winder, as shown and described.

**DESCRIPTION**

FIG. 1 is a top, front and left side perspective view of a first embodiment of a watch winder showing my new design; FIG. 2 is a bottom, rear and right side perspective view of the first embodiment thereof; FIG. 3 is a front elevation view of the first embodiment thereof; FIG. 4 is a rear elevation view of the first embodiment thereof; FIG. 5 is a left side elevation view of the first embodiment thereof; FIG. 6 is a right side elevation view of the first embodiment thereof; FIG. 7 is a top plan view of the first embodiment thereof; FIG. 8 is a bottom plan view of the first embodiment thereof; FIG. 9 is a top, front and right side perspective view of the first embodiment thereof with a cover opened; and, FIG. 10 is an enlarged view of portion 10 in FIG. 9. The evenly broken lines in the drawings illustrate portions of the watch winder that form no part of the claim.

**1 Claim, 10 Drawing Sheets**



(56)

**References Cited**

U.S. PATENT DOCUMENTS

2010/0165798 A1\* 7/2010 Huang ..... G04D 7/009  
368/206

\* cited by examiner

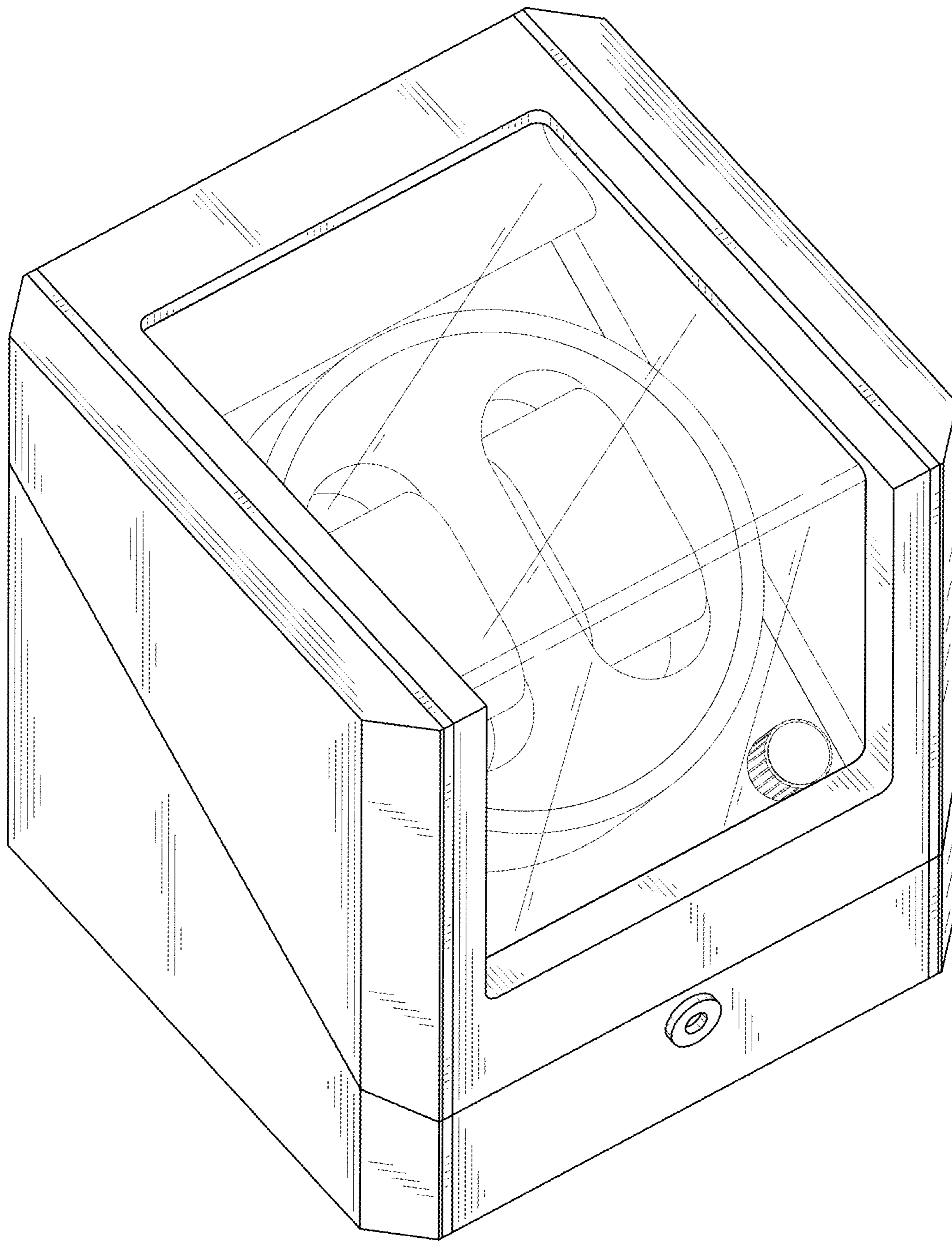


FIG. 1

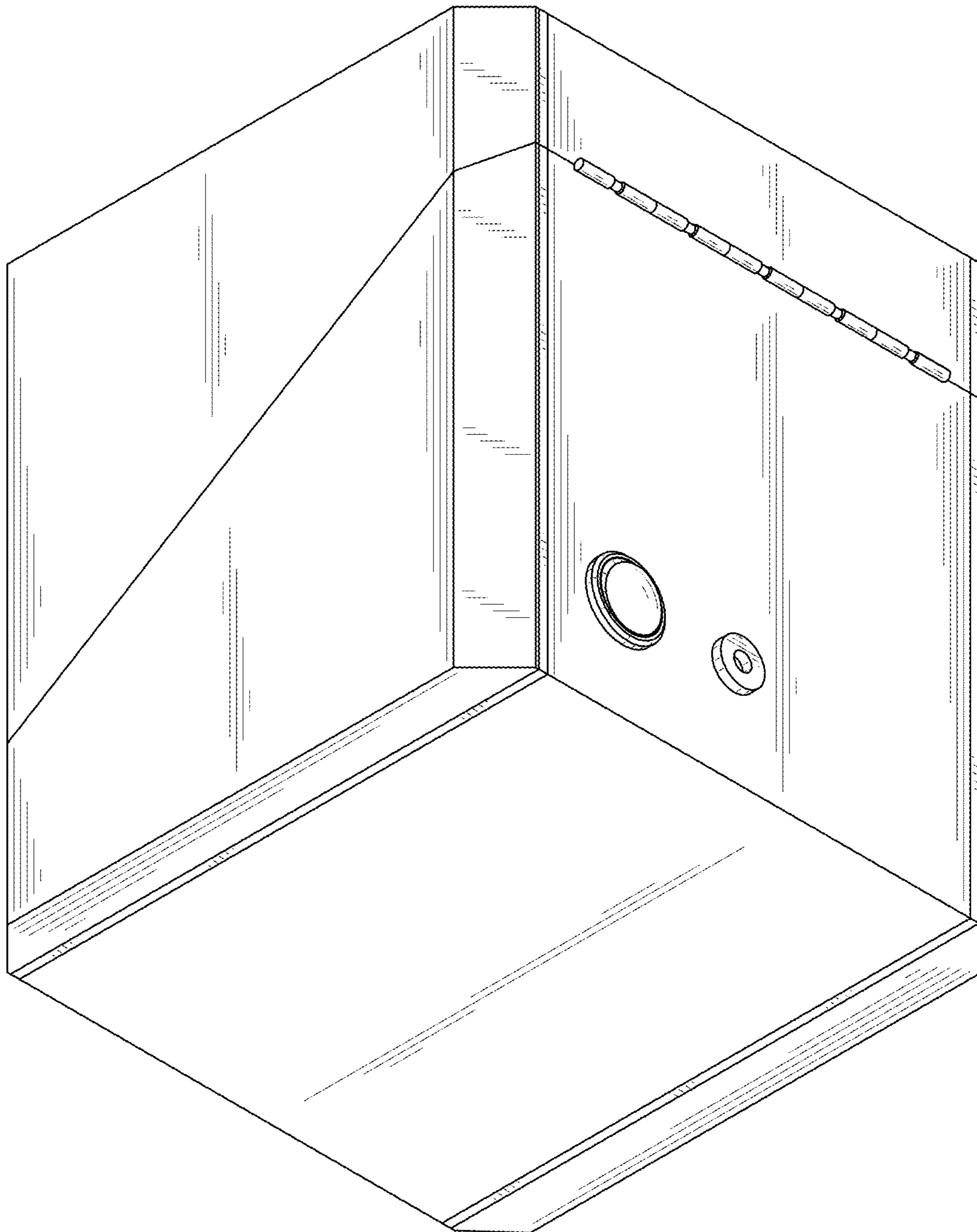


FIG. 2

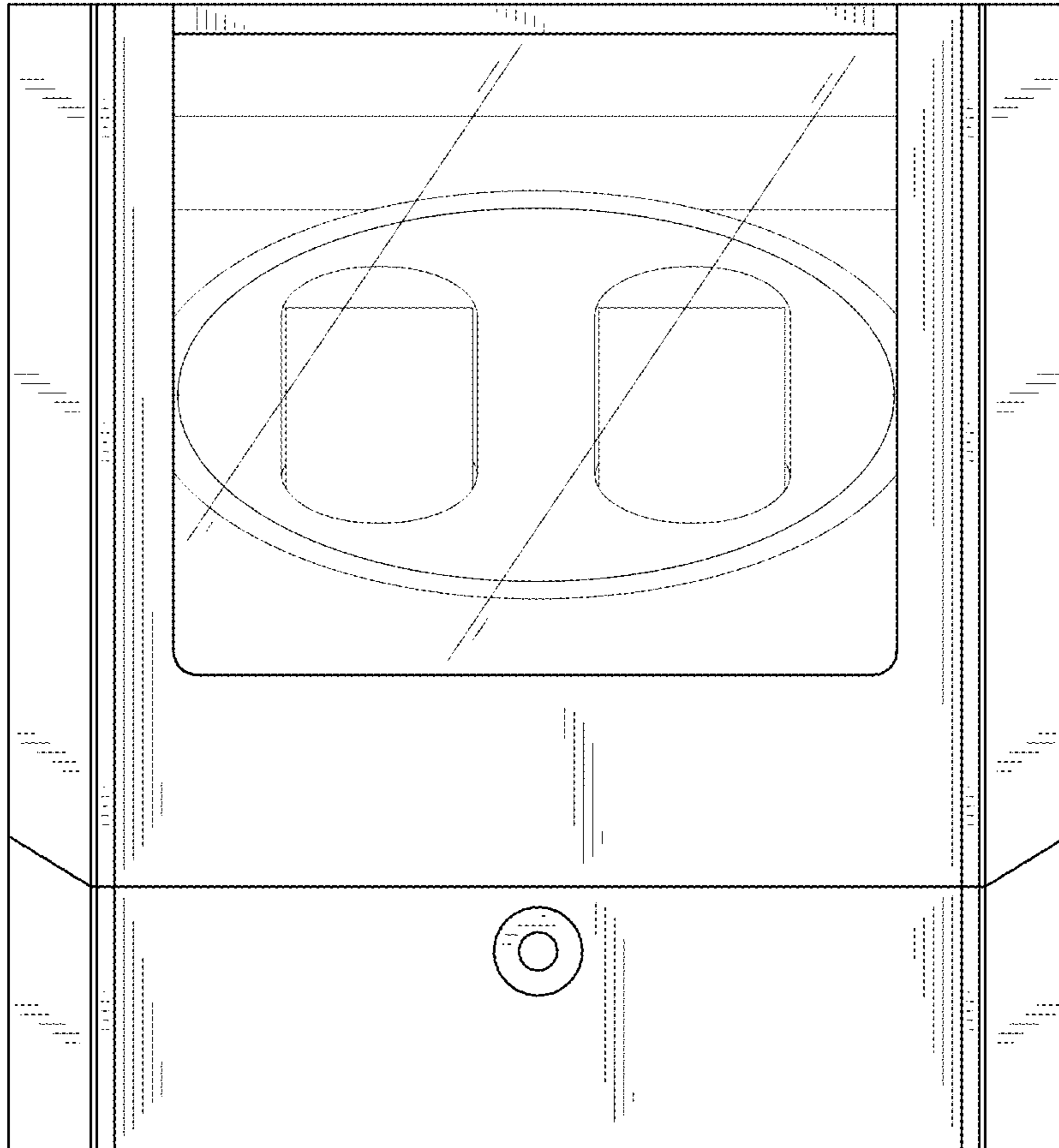


FIG. 3

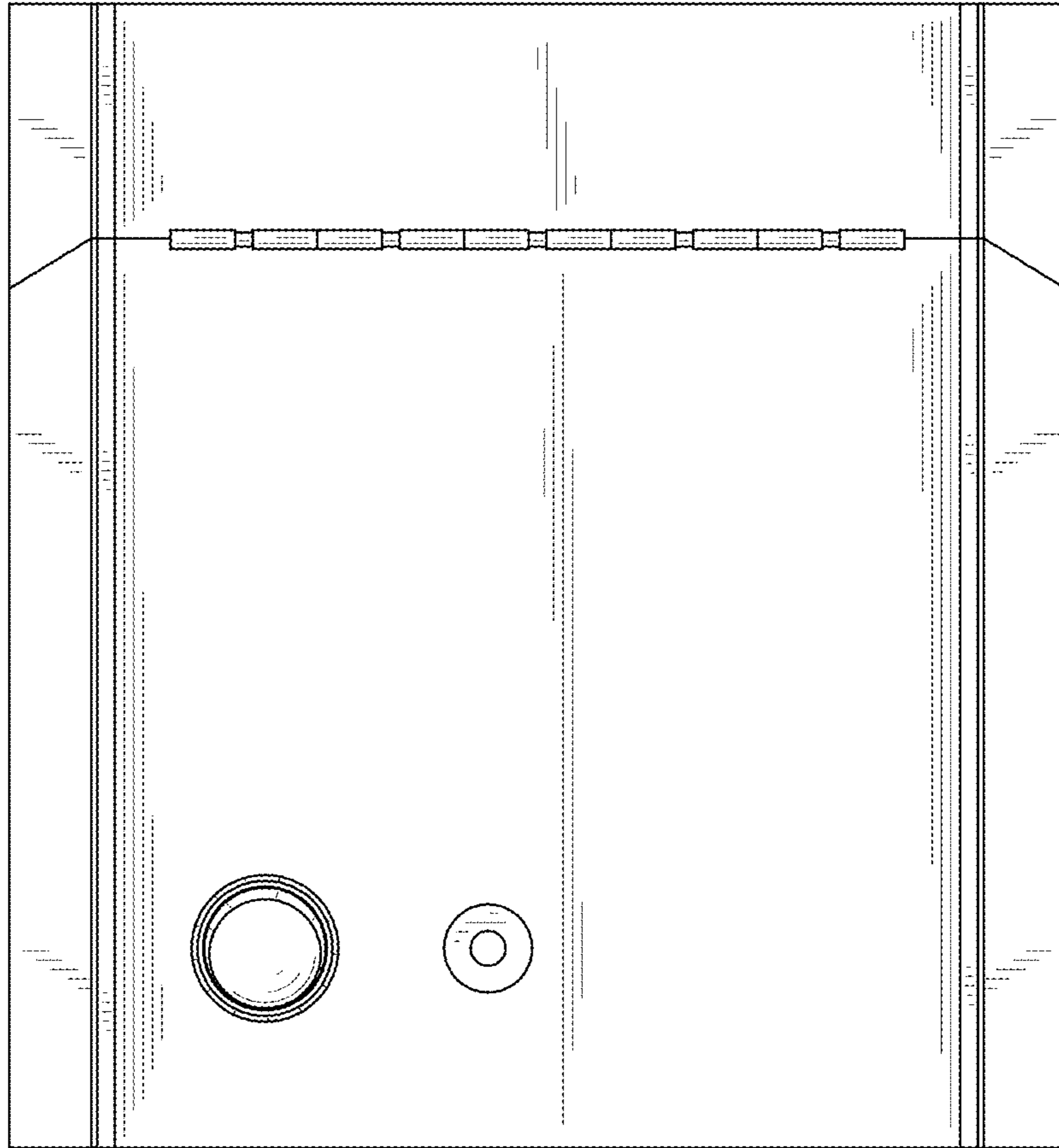


FIG. 4

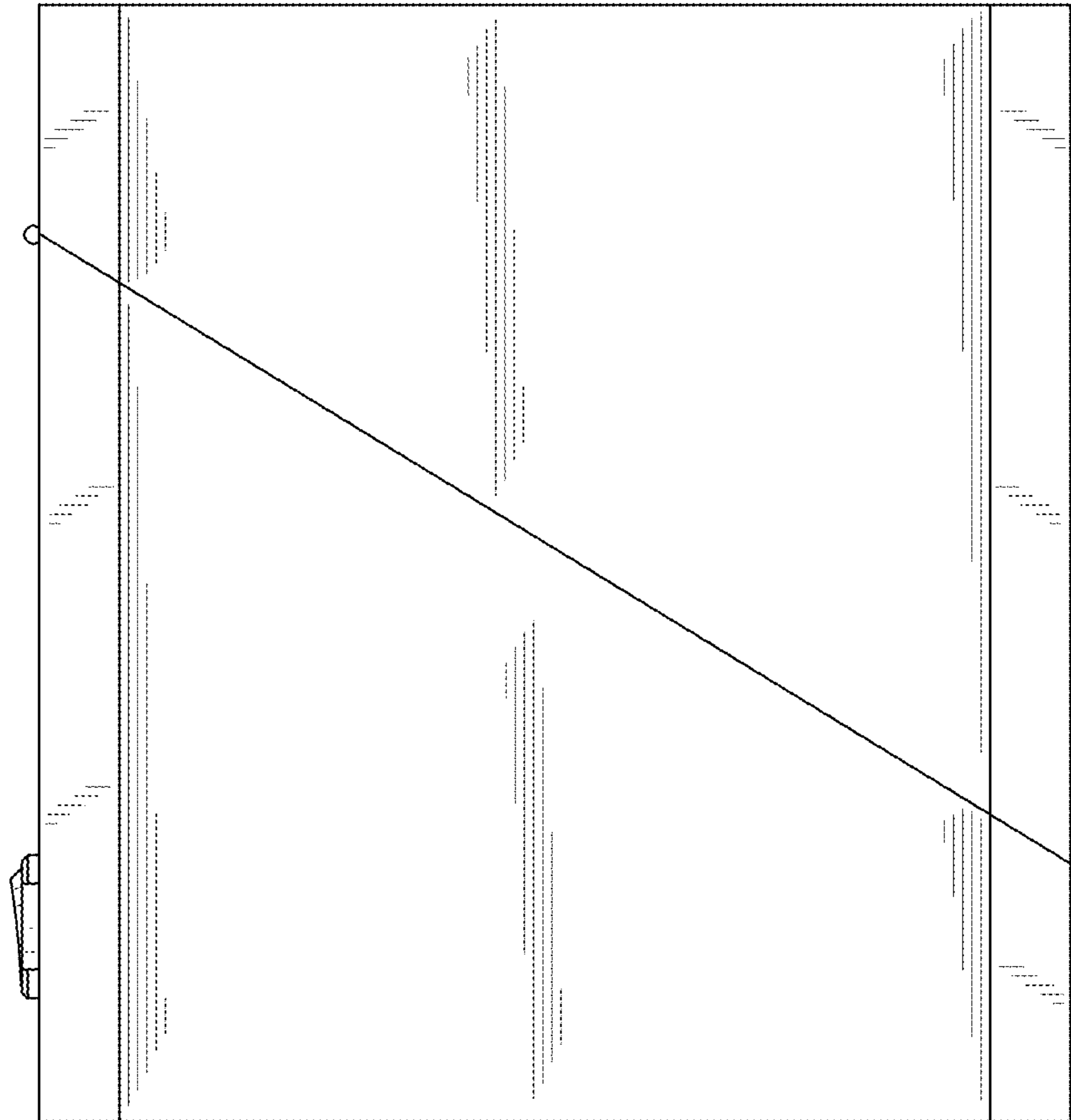


FIG. 5

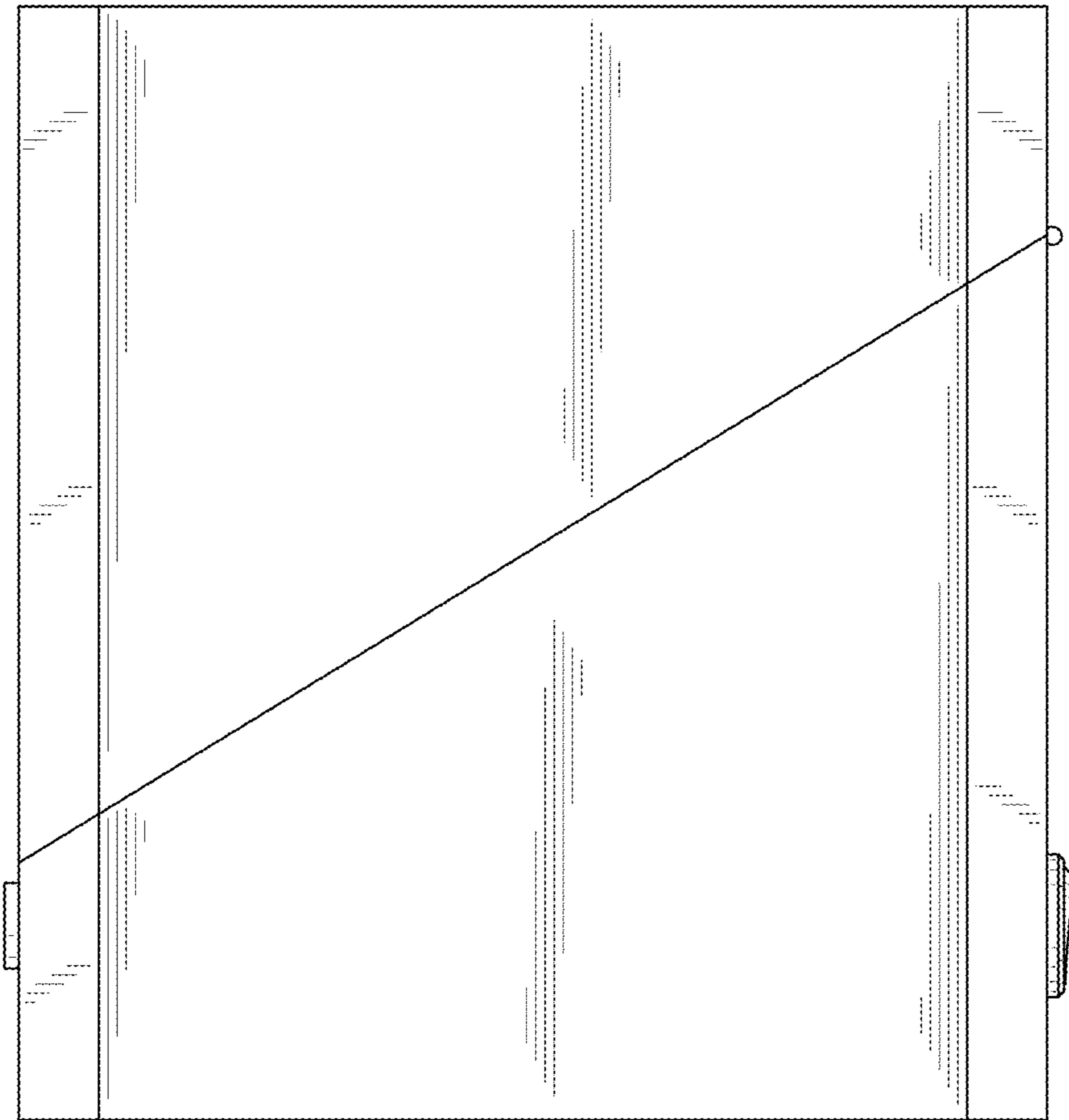


FIG. 6



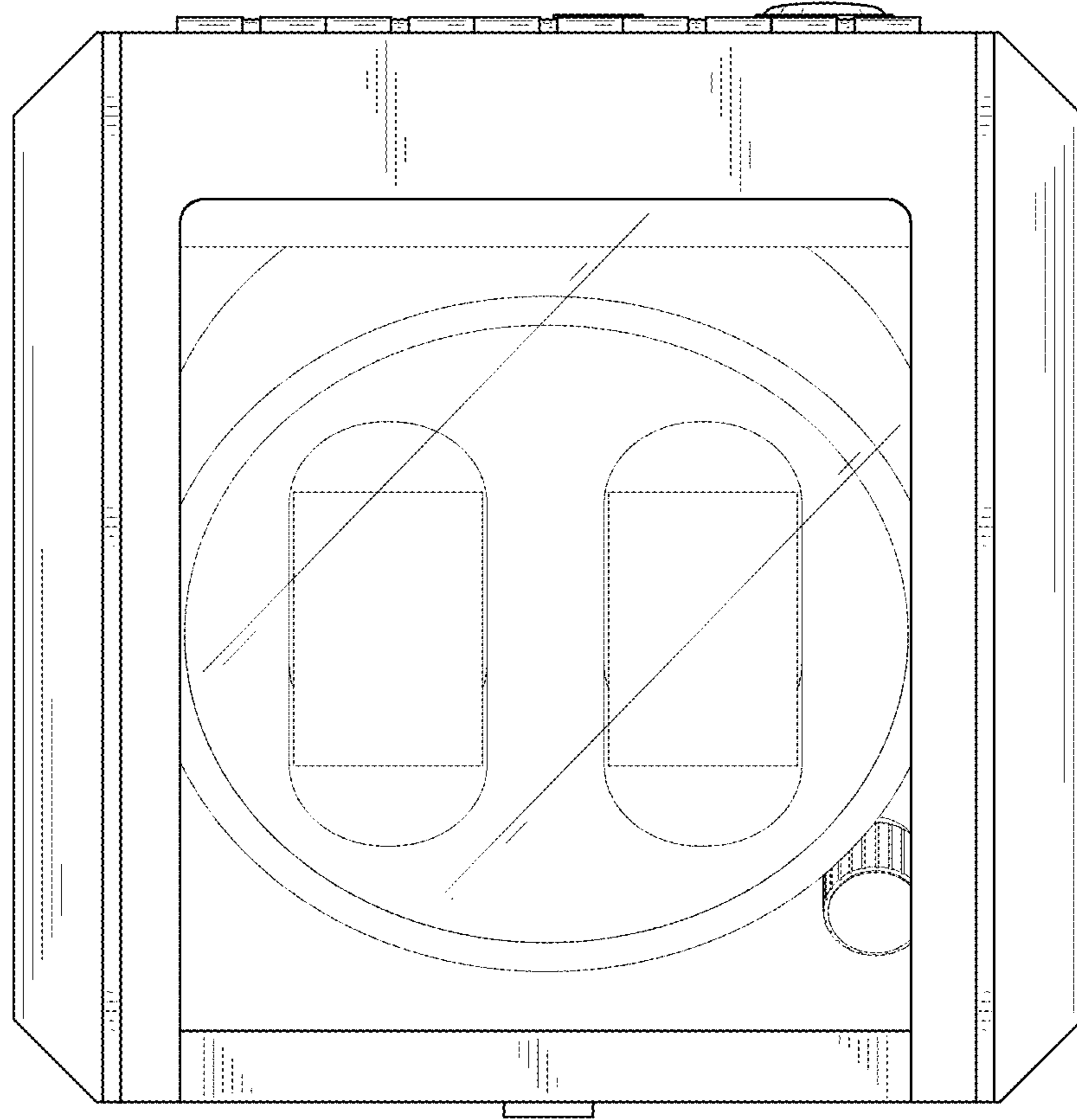


FIG. 7

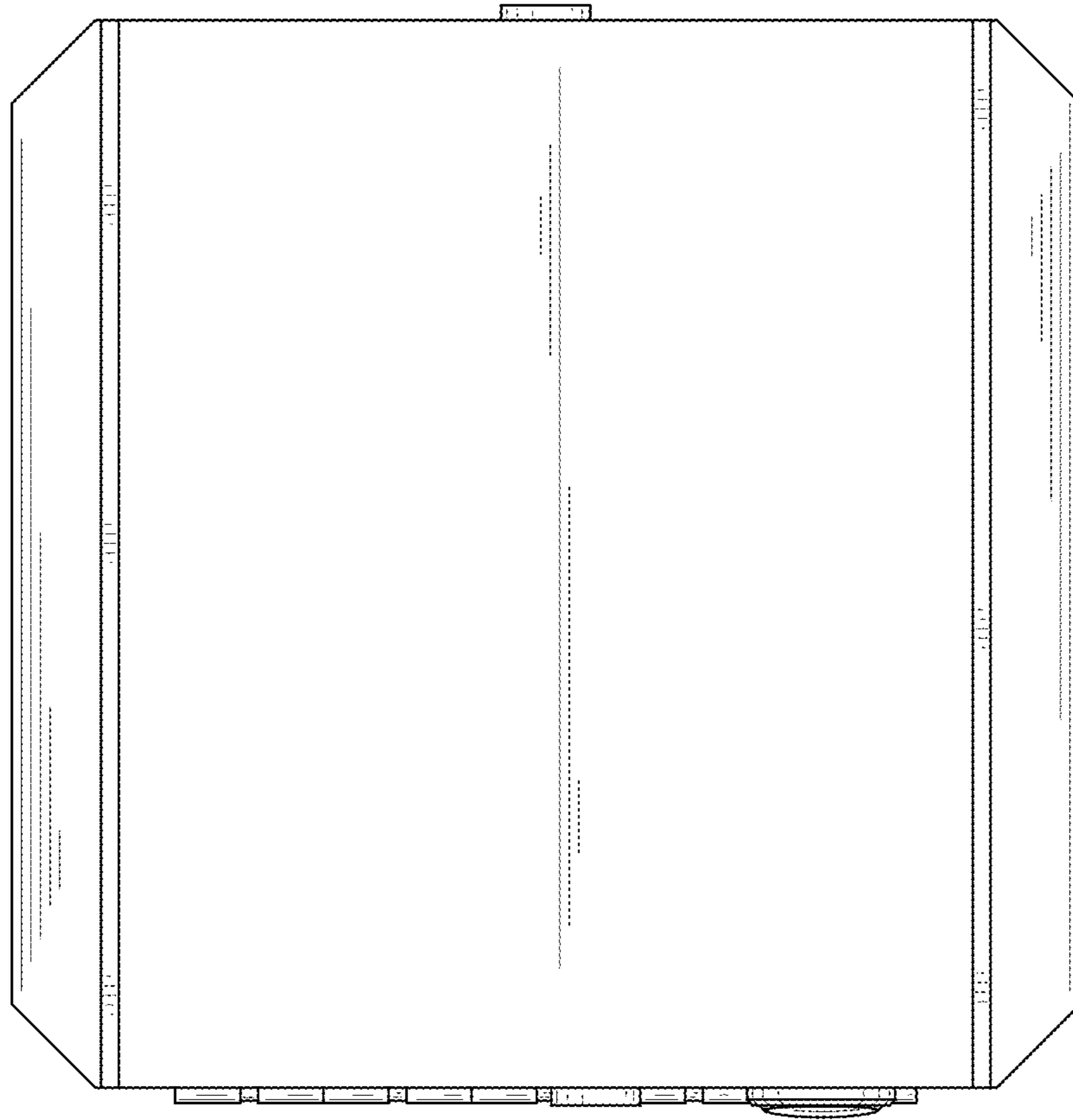


FIG. 8

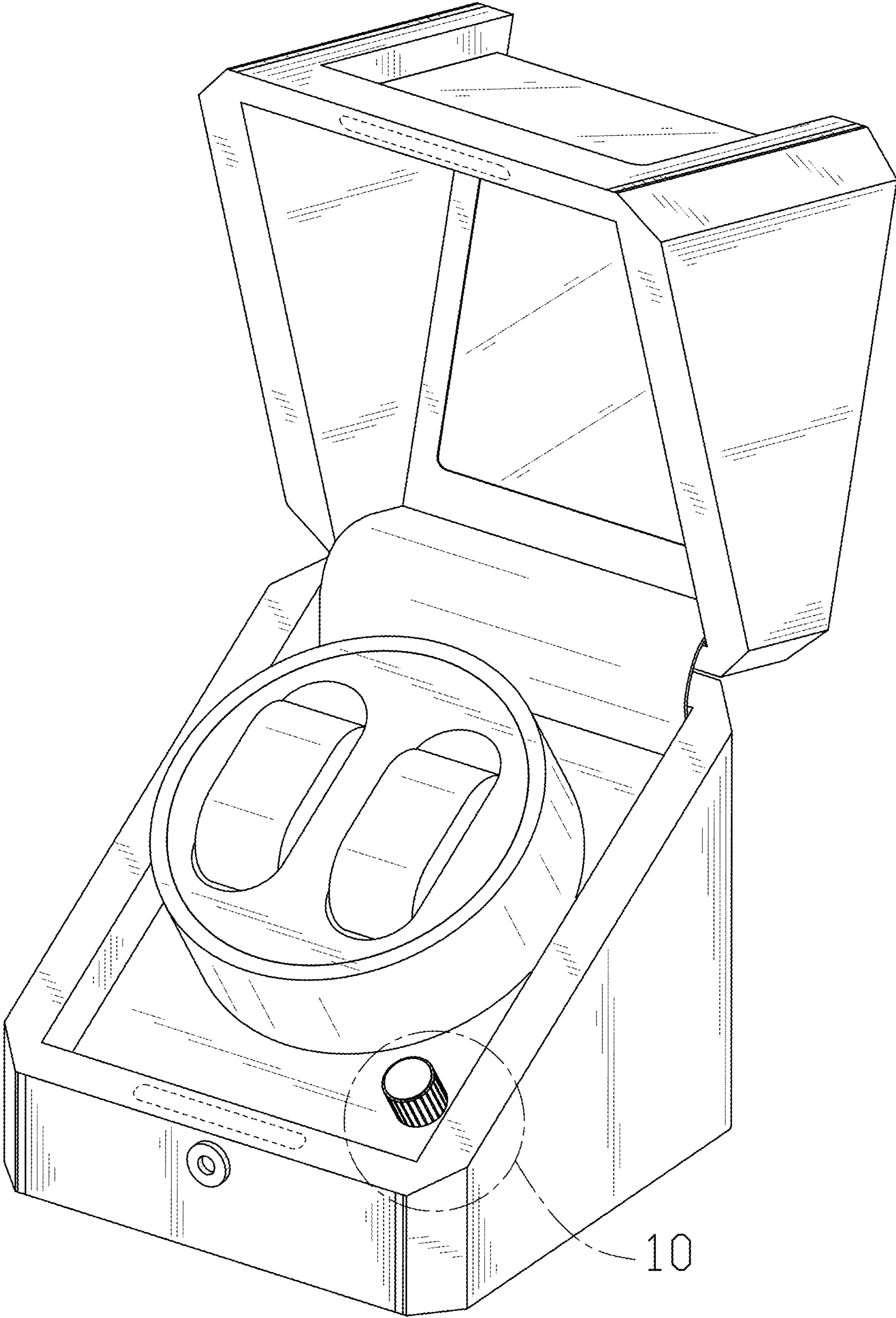


FIG. 9

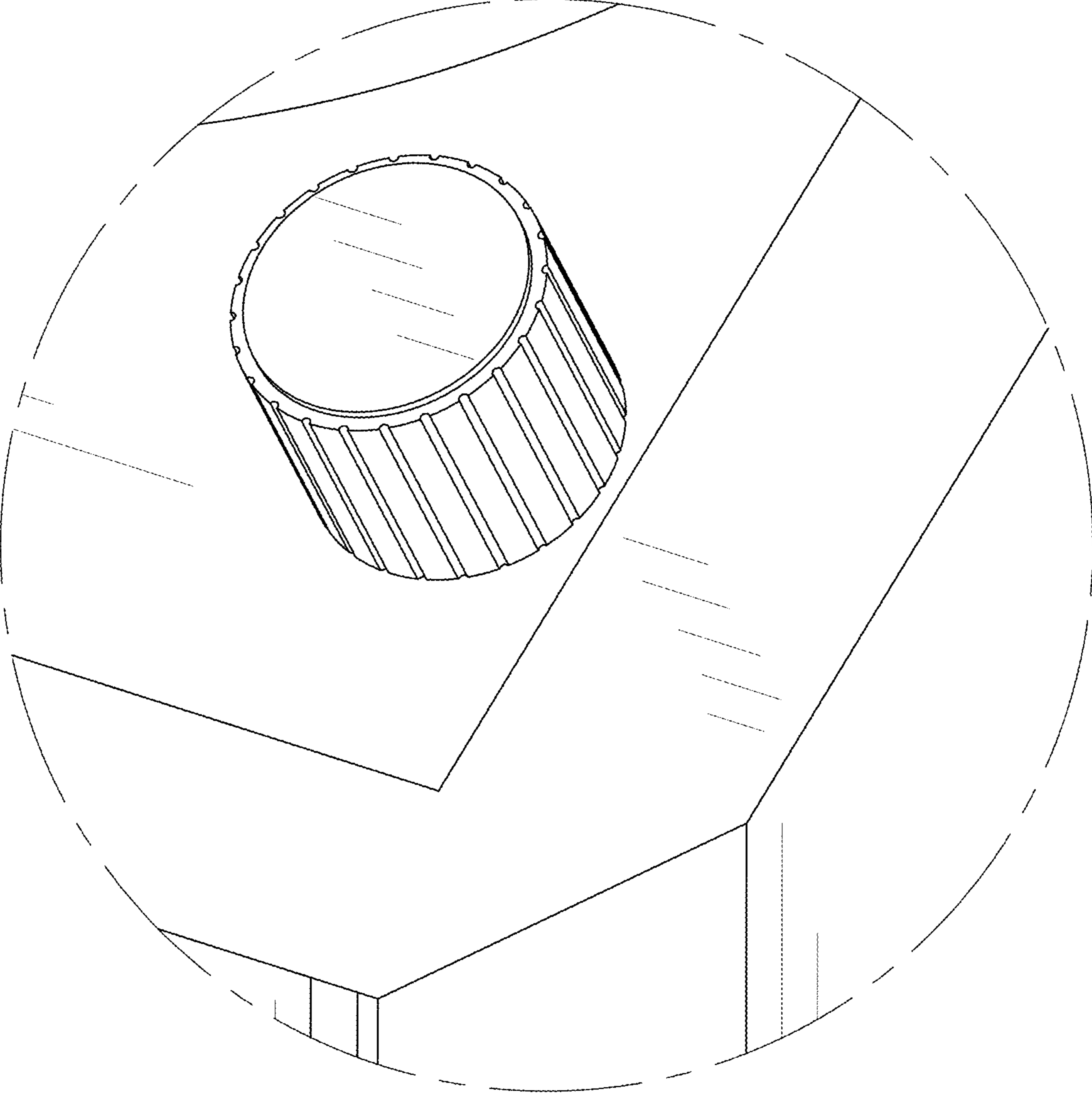


FIG. 10