



US00D968492S

(12) **United States Design Patent** (10) **Patent No.:** **US D968,492 S**
Urruth Kemmerich (45) **Date of Patent:** **** Nov. 1, 2022**

(54) **UV-LIGHT DISINFECTION ROBOT**

(71) Applicant: **Blue Ocean Robotics ApS**, Odense (DK)

(72) Inventor: **Gustavo Urruth Kemmerich**, Odense (DK)

(73) Assignee: **Blue Ocean Robotics ApS**, Odense (DK)

(**) Term: **15 Years**

(21) Appl. No.: **29/736,418**

(22) Filed: **May 29, 2020**

(51) **LOC (13) Cl.** **15-99**

(52) **U.S. Cl.**
USPC **D15/199**; D34/34

(58) **Field of Classification Search**
USPC D15/199; D21/578–583, 621, 622;
D32/21; D34/34
CPC B25J 5/007; B25J 11/008; B60B 19/006;
B62D 57/024; Y10S 901/01
See application file for complete search history.

(56) **References Cited**

U.S. PATENT DOCUMENTS

D549,756 S *	8/2007	Park	D15/199
D675,656 S *	2/2013	Sutherland	D15/199
D722,632 S *	2/2015	Stone	D12/1
D766,644 S *	9/2016	Huang	D15/199
9,776,327 B2 *	10/2017	Pinter	B25J 9/1676
D810,167 S *	2/2018	Yang	D15/199
D811,458 S *	2/2018	Wang	D15/199
D817,375 S *	5/2018	Deyle	D15/199
D841,067 S *	2/2019	Camporesi	D15/199

(Continued)

Primary Examiner — Patricia A Palasik

(74) *Attorney, Agent, or Firm* — Donald J. Lecher; Butzel Long

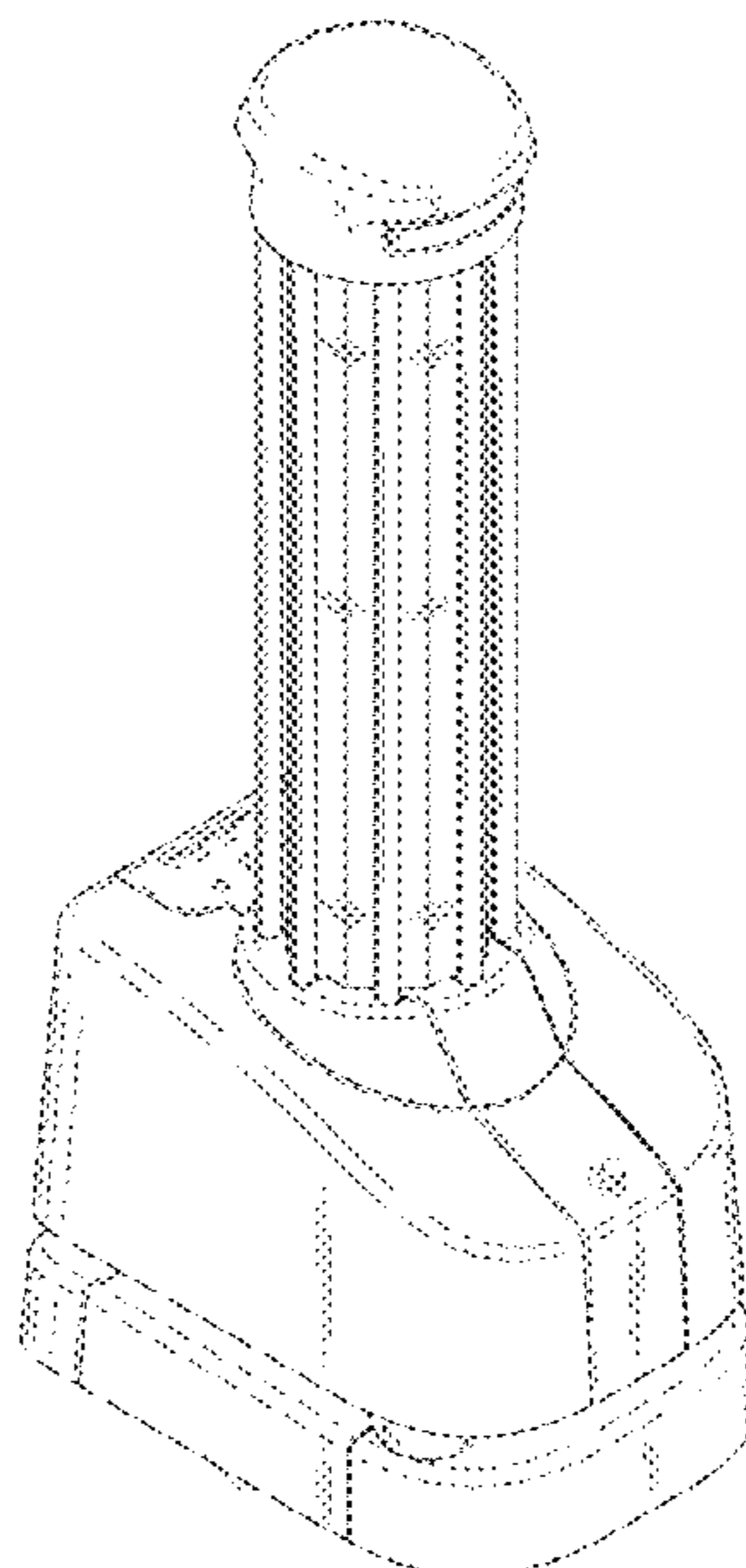
(57) **CLAIM**

The ornamental design for a UV-light disinfection robot, as shown and described.

DESCRIPTION

FIG. 1 shows a top left-side front perspective view of the UV-light disinfection robot of our new design;
 FIG. 2 shows a front elevation view of the UV-light disinfection robot of our new design;
 FIG. 3 shows a right-side elevation view of the UV-light disinfection robot of our new design;
 FIG. 4 shows a rear elevation view of the UV-light disinfection robot of our new design;
 FIG. 5 shows a left-side elevation view of the UV-light disinfection robot of our new design opposite that of FIG. 3;
 FIG. 6 shows a top plan view of the UV-light disinfection robot of our new design;
 FIG. 7 shows a bottom plan view of the UV-light disinfection robot of our new design opposite that of FIG. 6, wherein a central region of a lower portion of an undercarriage of the UV-light disinfection robot defined by a dash-dot-dash line is disclaimed;
 FIG. 8 shows a top right-side rear perspective view of the UV-light disinfection robot of our new design;
 FIG. 9 shows a bottom left-side front perspective view of the UV-light disinfection robot of our new design opposite that of FIG. 8, wherein a central region of a lower portion of the undercarriage of the UV-light disinfection robot defined by a dash-dot-dash line is disclaimed; and,
 FIG. 10 shows a bottom right-side rear perspective view of the UV-light disinfection robot of our new design opposite that of FIG. 1, wherein a central region of a lower portion of the undercarriage of the UV-light disinfection robot defined by a dash-dot-dash line is disclaimed.
 The broken or evenly-dashed lines are included to show of structure in the drawings that form no part of the claimed design.

1 Claim, 10 Drawing Sheets



(56)

References Cited

U.S. PATENT DOCUMENTS

D849,813	S *	5/2019	Sutherland	D21/578
D855,673	S *	8/2019	Sutherland	D15/199
D859,485	S *	9/2019	Sutherland	D15/199
D872,788	S *	1/2020	Sutherland	D15/199
D877,786	S *	3/2020	Gayne	D15/199
D881,249	S *	4/2020	Kim	D15/199
D894,987	S *	9/2020	Li	D15/199
D912,115	S *	3/2021	Rembisz	D15/199
D913,349	S *	3/2021	Yao	D15/199
D915,486	S *	4/2021	Gidwell	D15/199
D917,591	S *	4/2021	Xiao	D15/199
D918,978	S *	5/2021	Li	D15/199
D920,411	S *	5/2021	Zheng	D15/199
2009/0035181	A1 *	2/2009	Chung	G01N 35/04 422/68.1
2014/0074287	A1 *	3/2014	LaFary	G05B 19/4061 700/253
2015/0073589	A1 *	3/2015	Khodl	B25J 5/007 700/218
2017/0337506	A1 *	11/2017	Wise	G05B 19/418
2021/0170583	A1 *	6/2021	Edsinger	B25J 9/162
2021/0353808	A1 *	11/2021	Hung	G05D 1/0242

* cited by examiner

FIG. 1

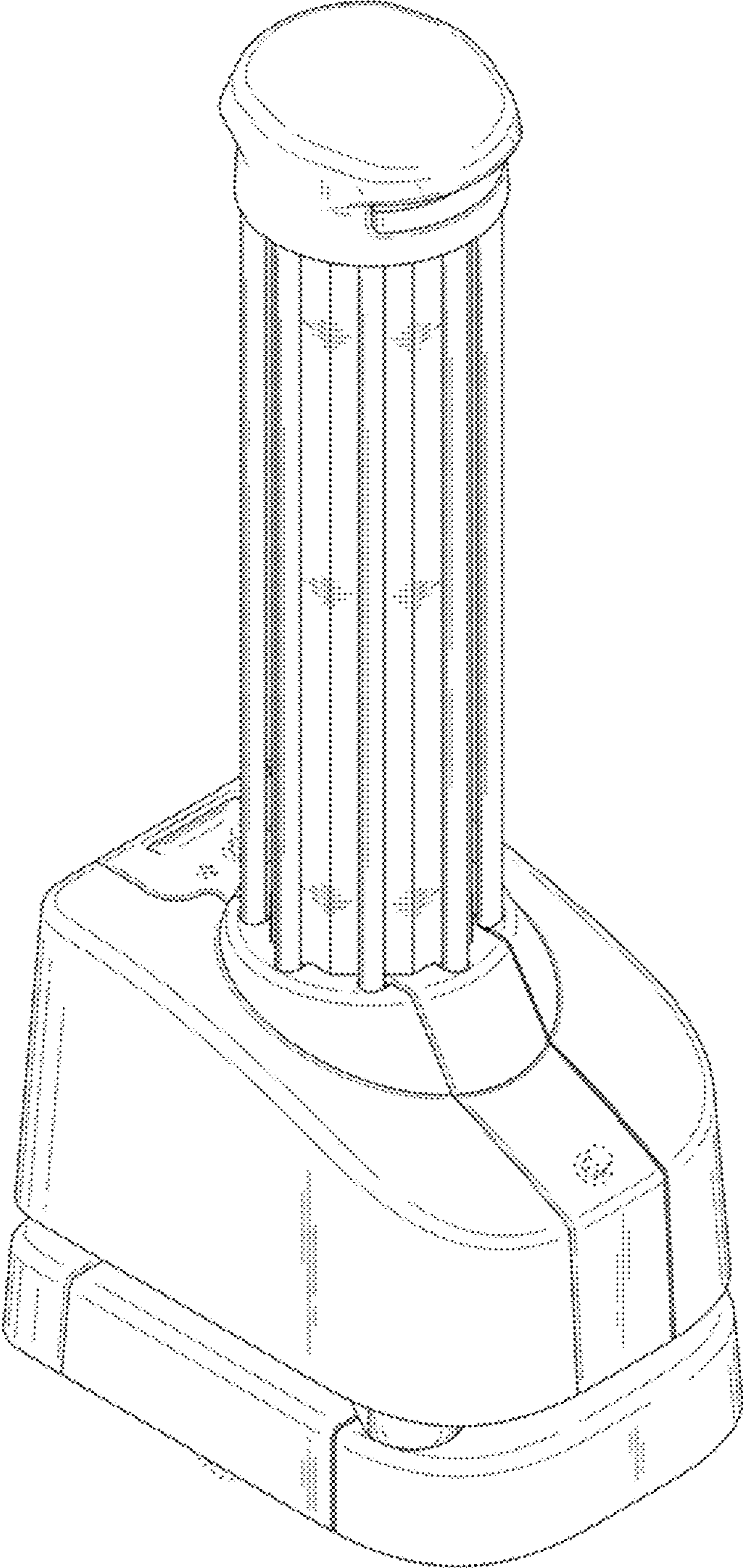


FIG. 2

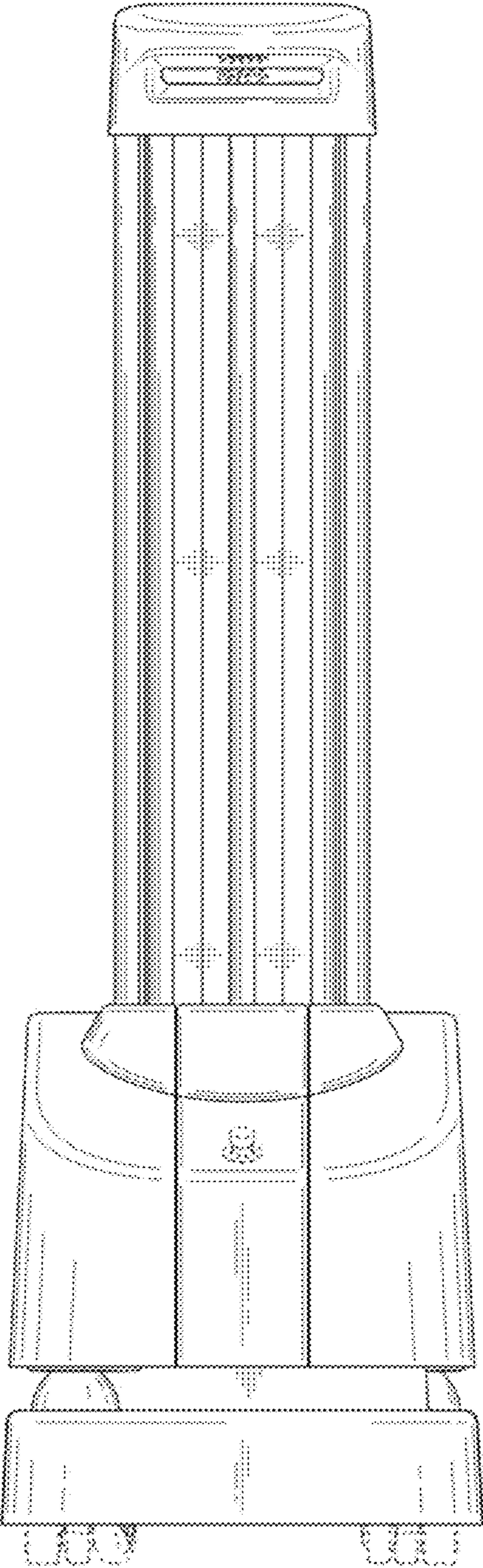


FIG. 3

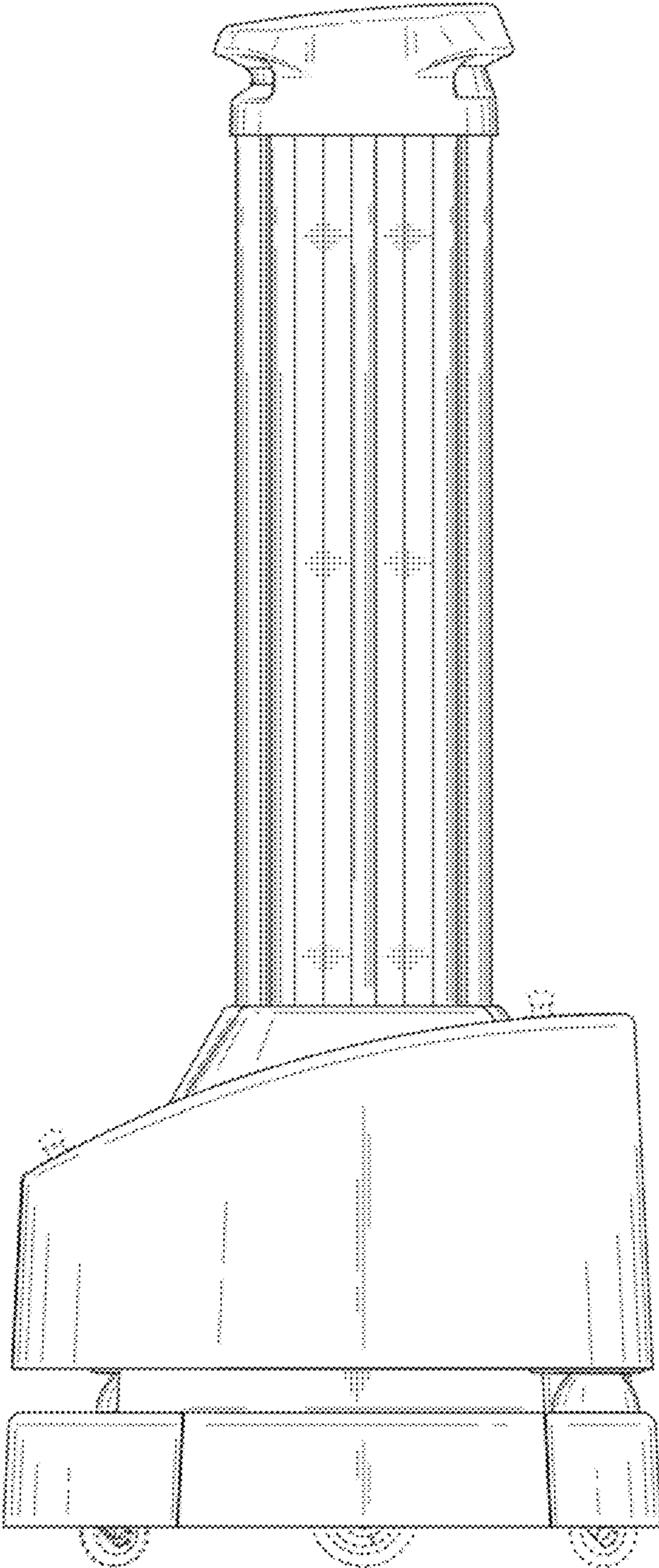


FIG. 4

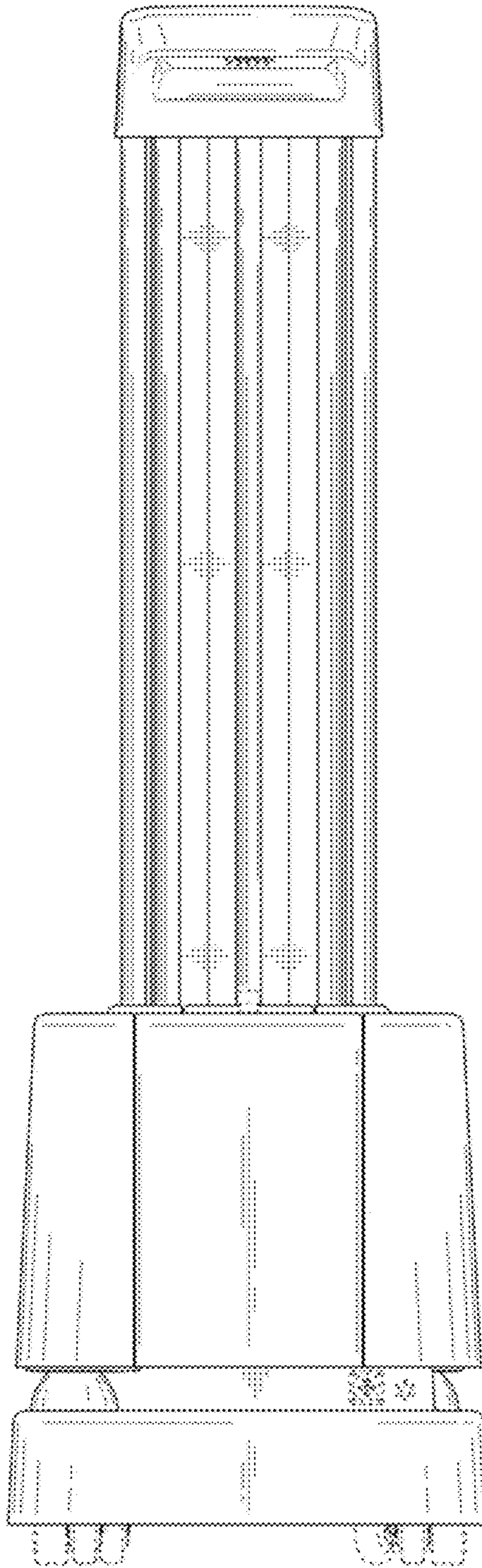


FIG. 5

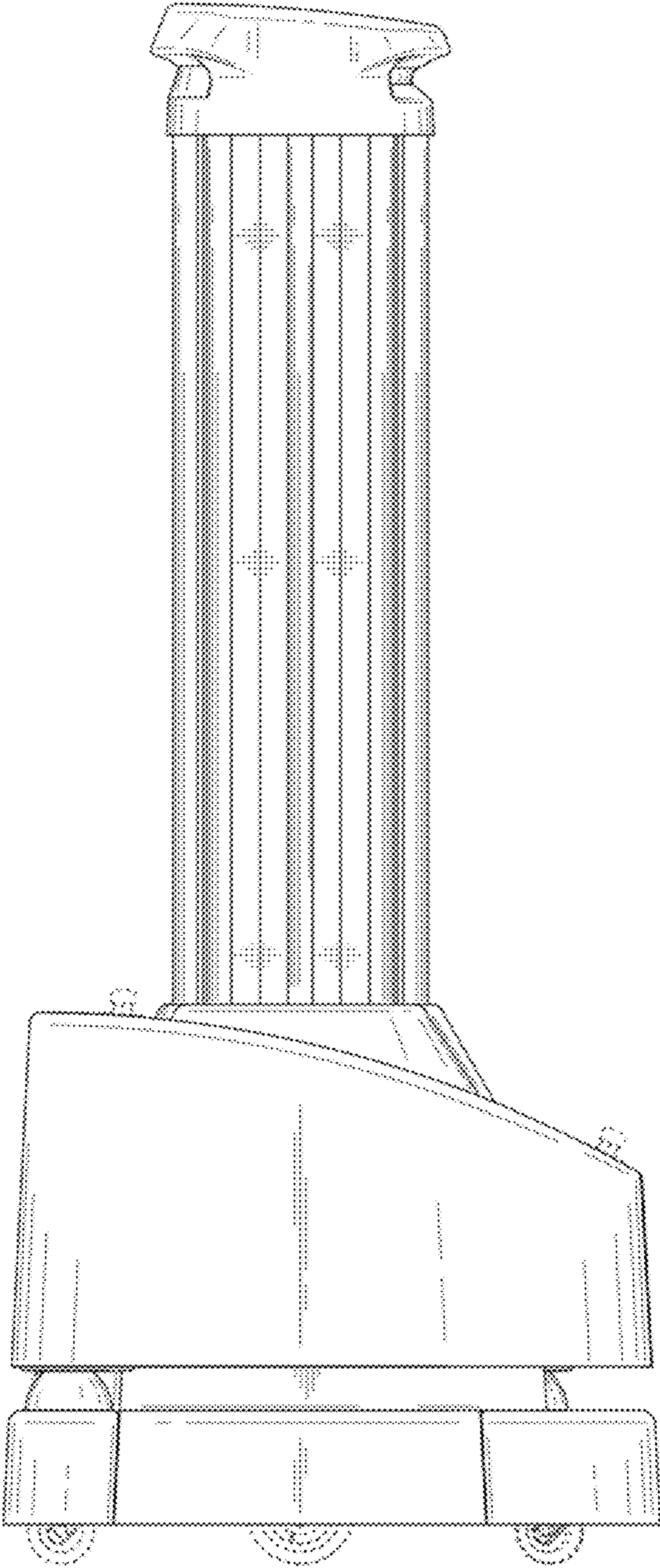


FIG. 6

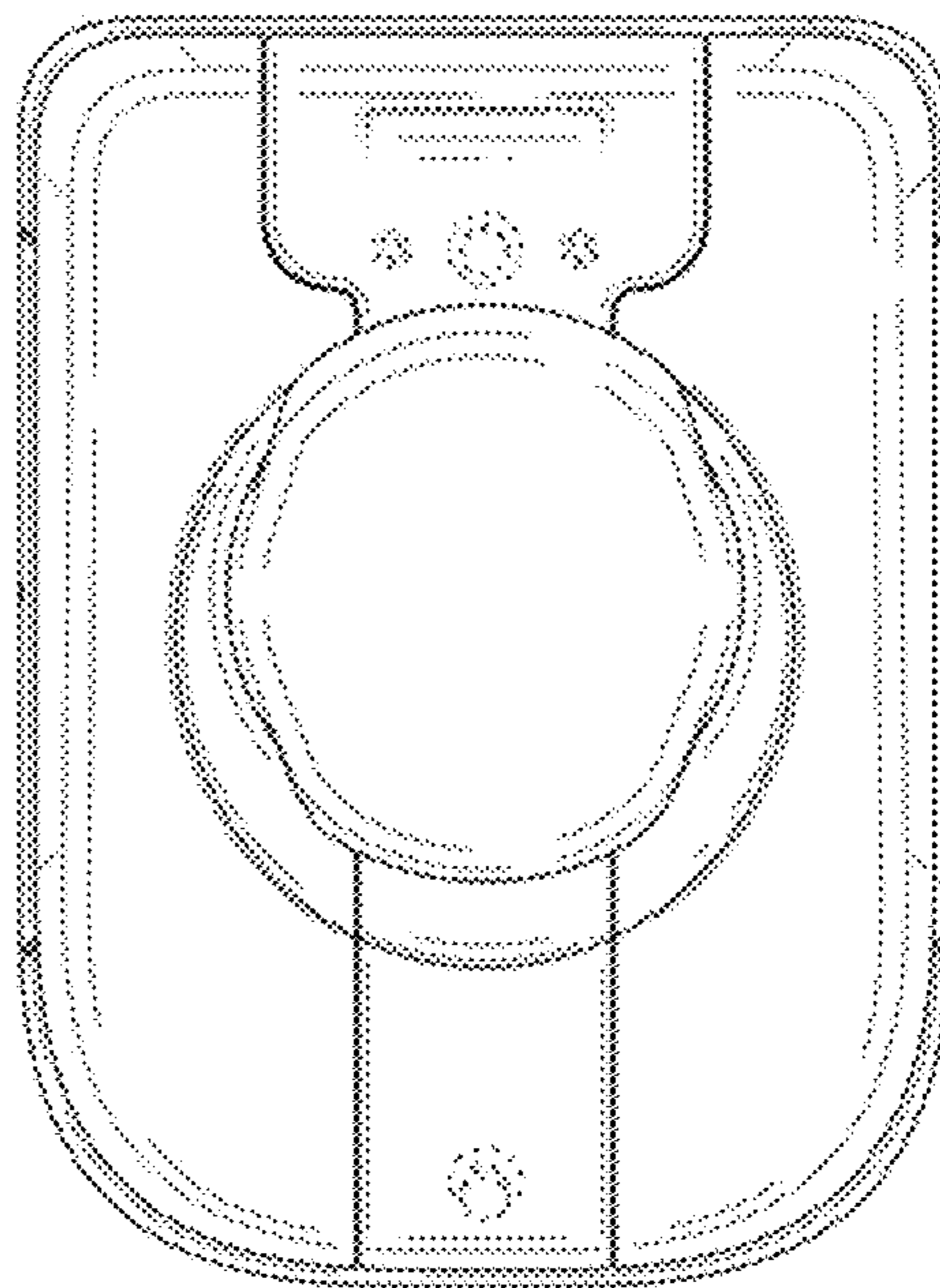


FIG. 7

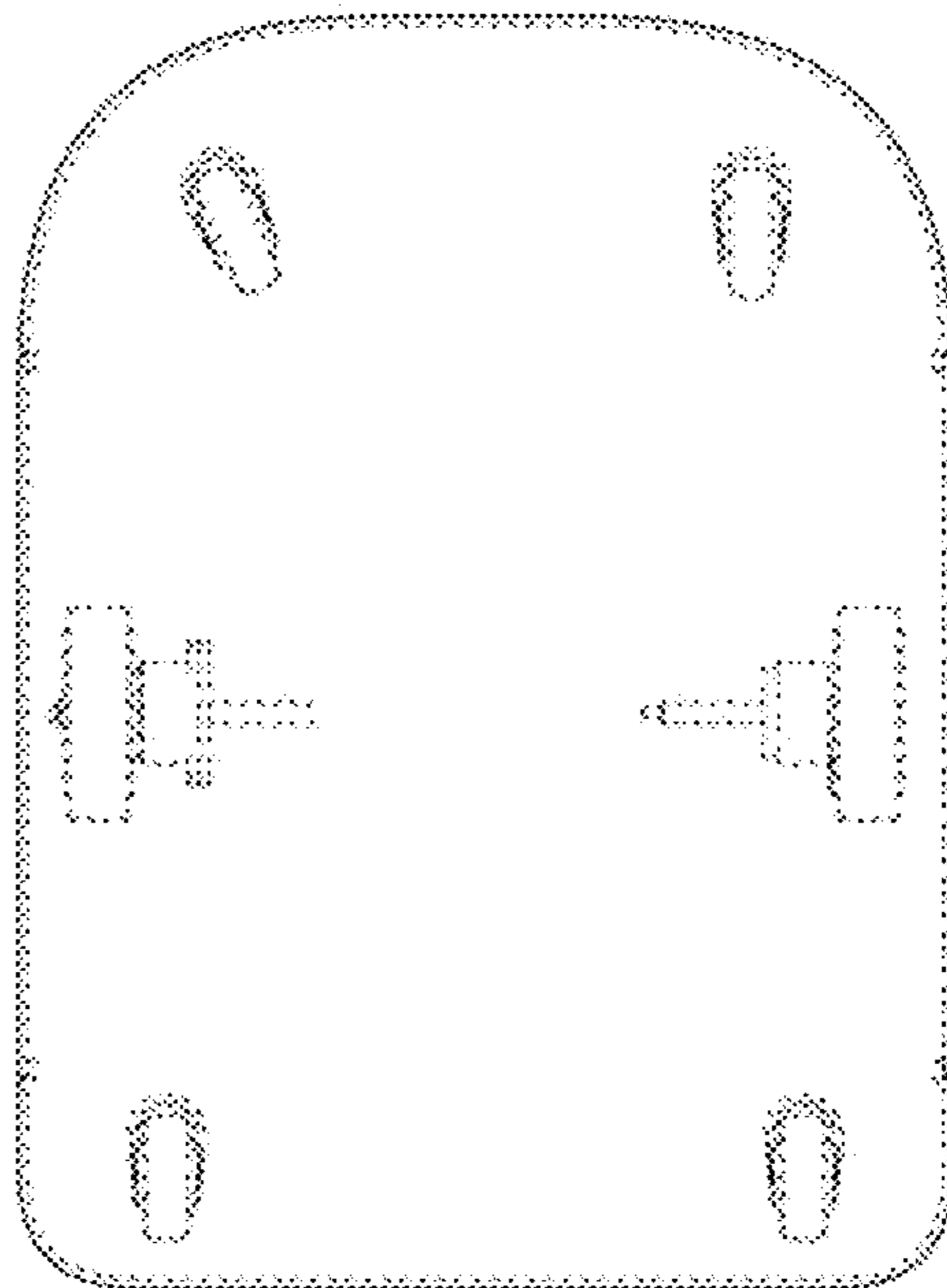


FIG. 8

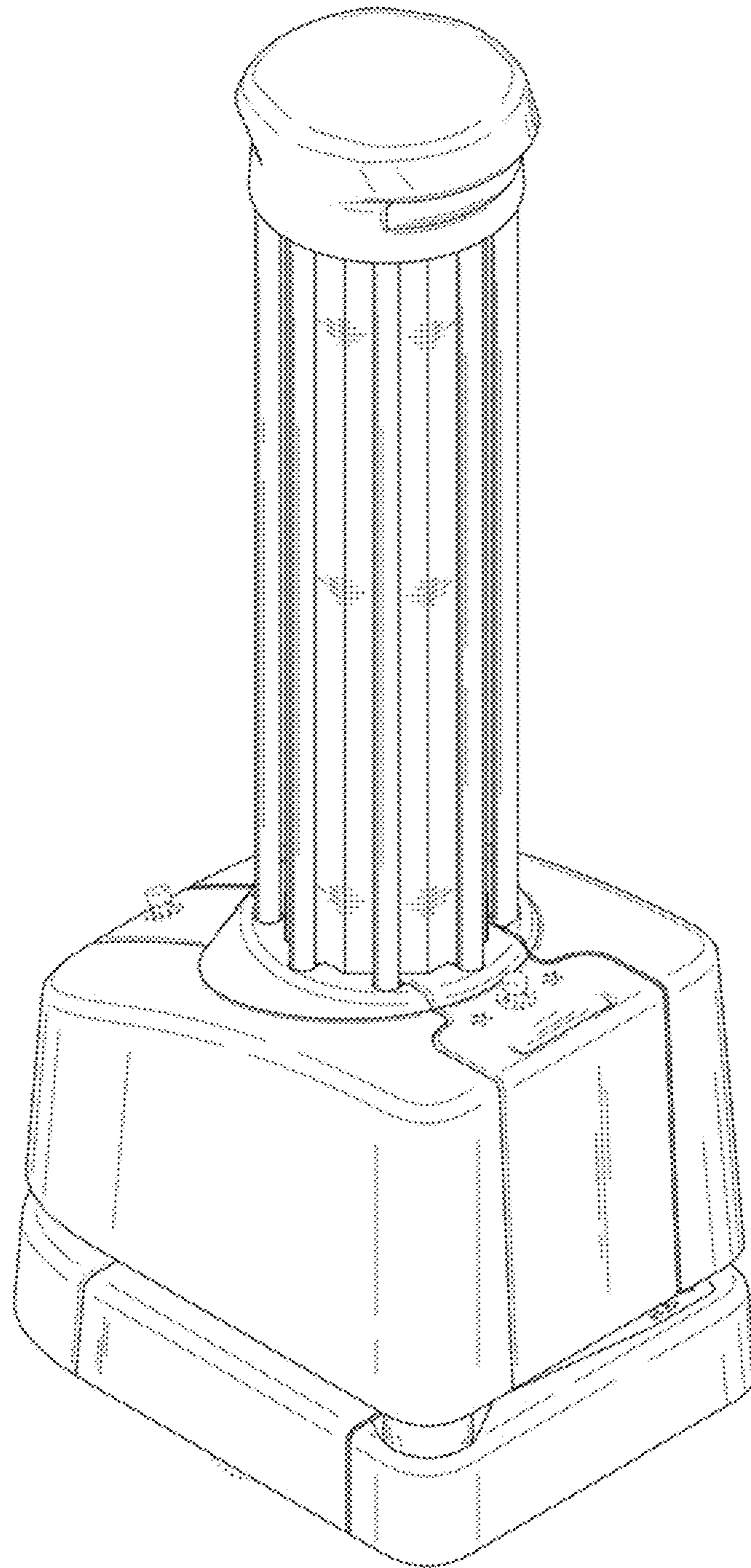


FIG. 9

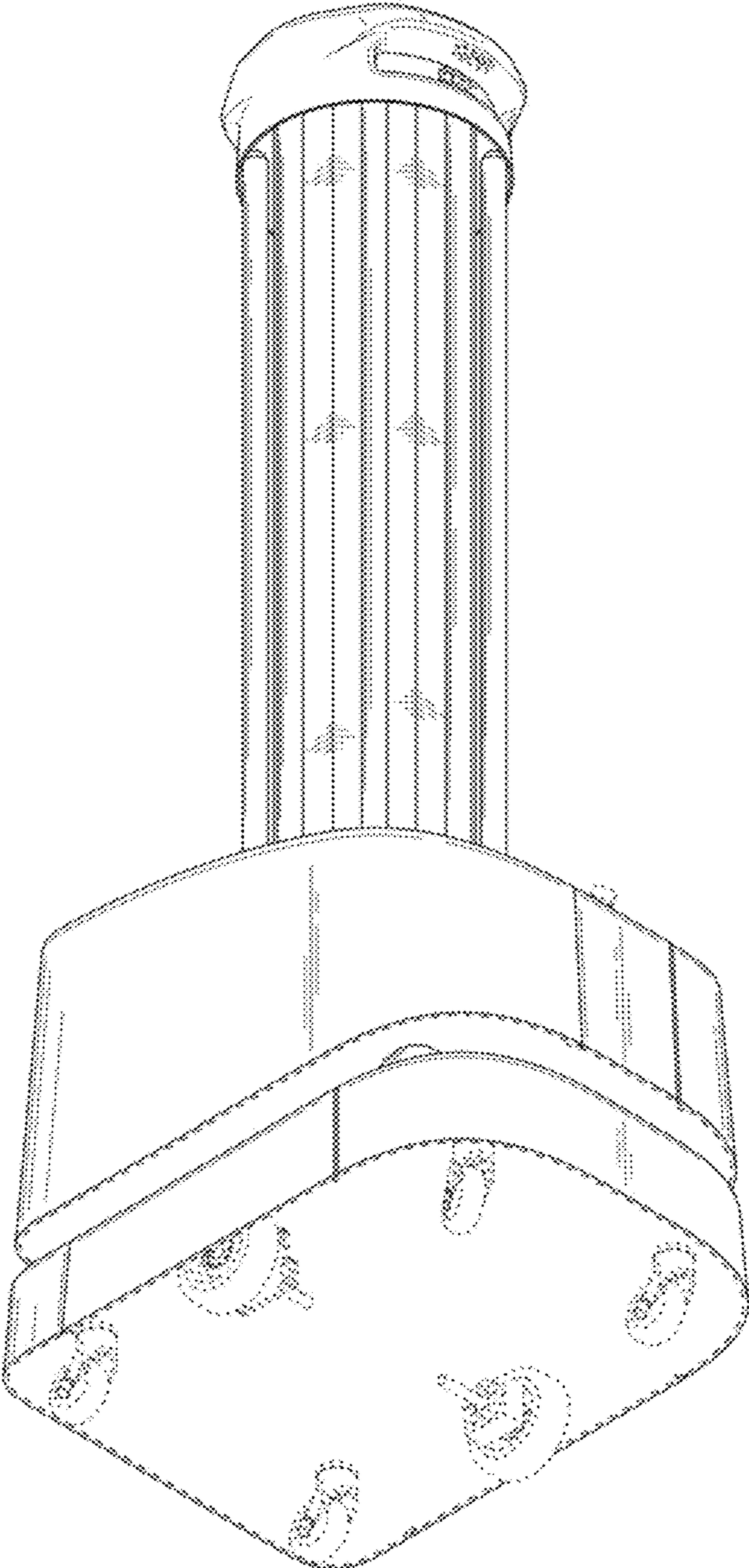


FIG. 10

