



US00D968491S

(12) **United States Design Patent** (10) **Patent No.:** **US D968,491 S**
Landon et al. (45) **Date of Patent:** **** Nov. 1, 2022**

- (54) **HIGH TORQUE TOOL**
- (71) Applicant: **AIMCO**, Portland, OR (US)
- (72) Inventors: **Christopher L. Landon**, Portland, OR (US); **Leonard V. Demchak**, Portland, OR (US)
- (73) Assignee: **AIMCO**, Portland, OR (US)
- (**) Term: **15 Years**
- (21) Appl. No.: **29/710,192**
- (22) Filed: **Oct. 21, 2019**
- (51) **LOC (13) Cl.** **15-09**
- (52) **U.S. Cl.**
USPC **D15/148**; D15/138
- (58) **Field of Classification Search**
USPC D8/14.1, 61-70; D15/138, 148
CPC B25B 21/002; B25B 23/16; B25B 23/147
See application file for complete search history.

- 2014/0298958 A1* 10/2014 Farrell B25B 13/06
81/119
- 2015/0168245 A1* 6/2015 Nichols G01L 25/003
73/1.09
- 2019/0217451 A1* 7/2019 Sugarman B25B 23/0021
- 2020/0130112 A1* 4/2020 Sleet B63C 11/52
- 2020/0198107 A1* 6/2020 Schumacher B25B 27/30
- 2021/0114187 A1* 4/2021 Landon B25B 23/16

FOREIGN PATENT DOCUMENTS

- EP 0640443 A1 * 3/1995 B25B 21/004
- WO WO-2004065068 A1 * 8/2004 B63C 11/52

* cited by examiner

Primary Examiner — Patricia A Palasik

(74) *Attorney, Agent, or Firm* — Schwabe, Williamson & Watt PC

(57) **CLAIM**

The ornamental design for a high torque tool, as shown and described.

(56) **References Cited**

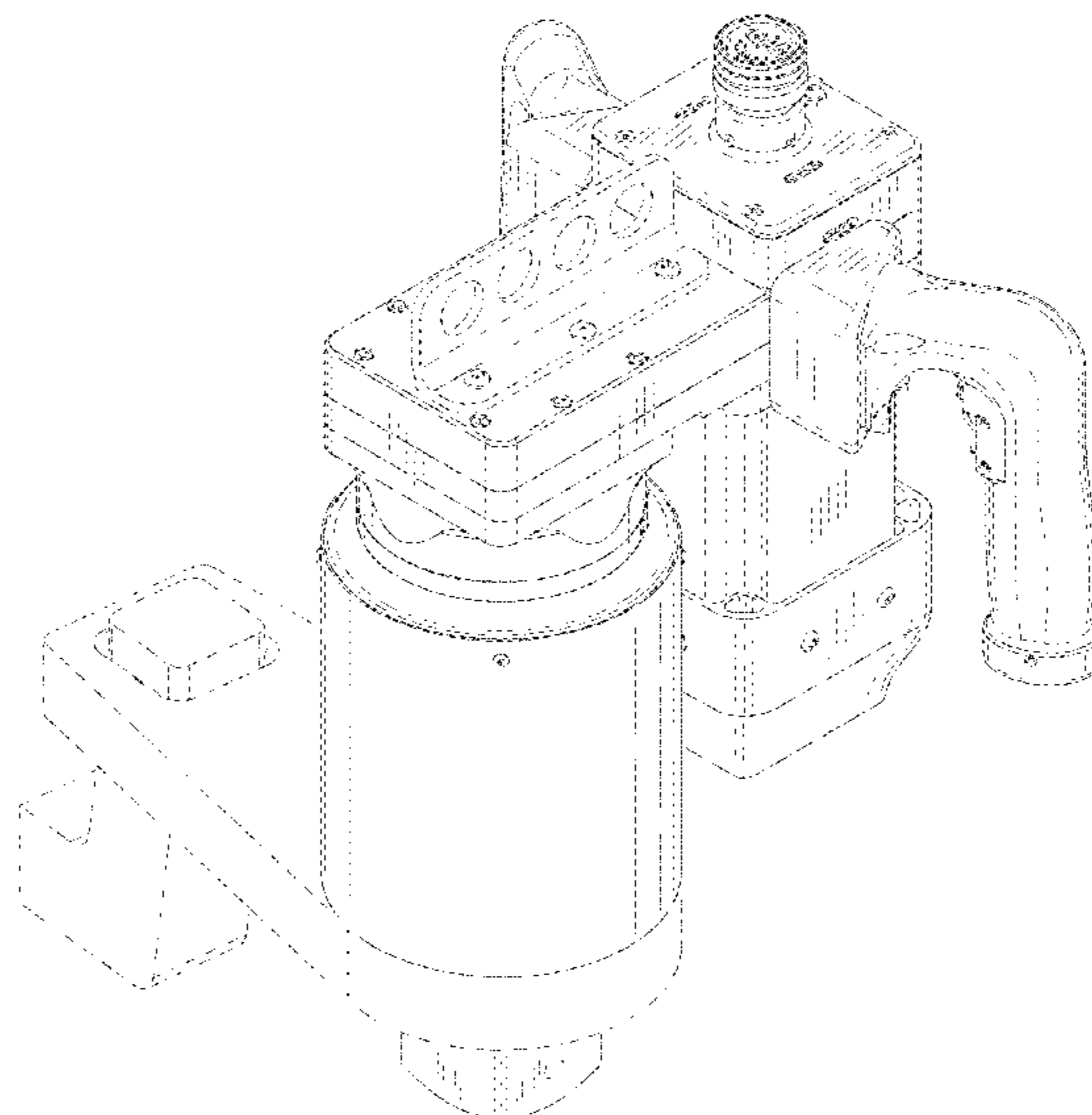
DESCRIPTION

U.S. PATENT DOCUMENTS

- 4,380,940 A * 4/1983 Morgan B25B 17/00
81/57.16
- 4,942,794 A * 7/1990 Snyder B25B 13/481
81/57.14
- 5,158,141 A * 10/1992 Saliger E21B 33/0355
166/341
- 5,501,107 A * 3/1996 Snyder B25B 17/00
73/862.23
- 5,703,277 A * 12/1997 Grabovac G01L 25/003
73/1.09
- 6,279,427 B1 * 8/2001 Francis B25B 21/005
81/57.39
- 6,564,680 B1 * 5/2003 Rinner B25G 1/066
81/177.5
- D476,670 S * 7/2003 Adamson D15/199
- D608,614 S * 1/2010 Junkers D8/68
- 2002/0069730 A1 * 6/2002 Lehnert B25B 21/00
81/467

FIG. 1 is a perspective view of the high torque tool, from an upper perspective;
 FIG. 2 is a perspective view of the high torque tool, from a lower perspective;
 FIG. 3 is a side elevation view of the high torque tool;
 FIG. 4 is a bottom view of the high torque tool;
 FIG. 5 is a top plan view of the high torque tool; and
 FIG. 6 is rear elevation view of the high torque tool; and,
 FIG. 7 is a front elevation view of the high torque tool, 180 degrees offset from FIG. 6.
 The dot-dot-dash broken lines adjacent to the shaded area represents an unclaimed boundary of the claimed design. The remainder of the broken lines are provided for environmental purposes only and form no part of the claimed design.

1 Claim, 6 Drawing Sheets



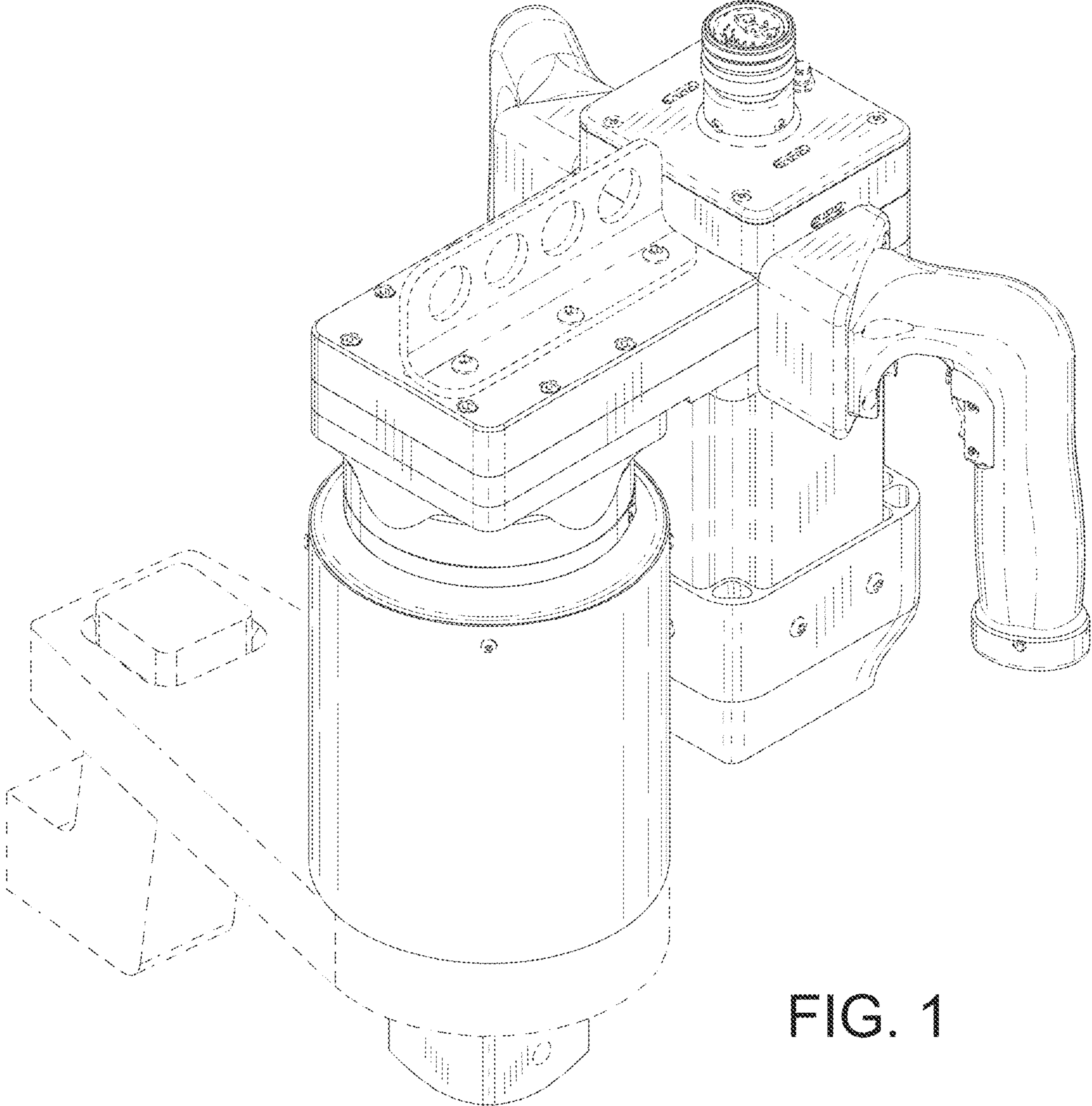


FIG. 1

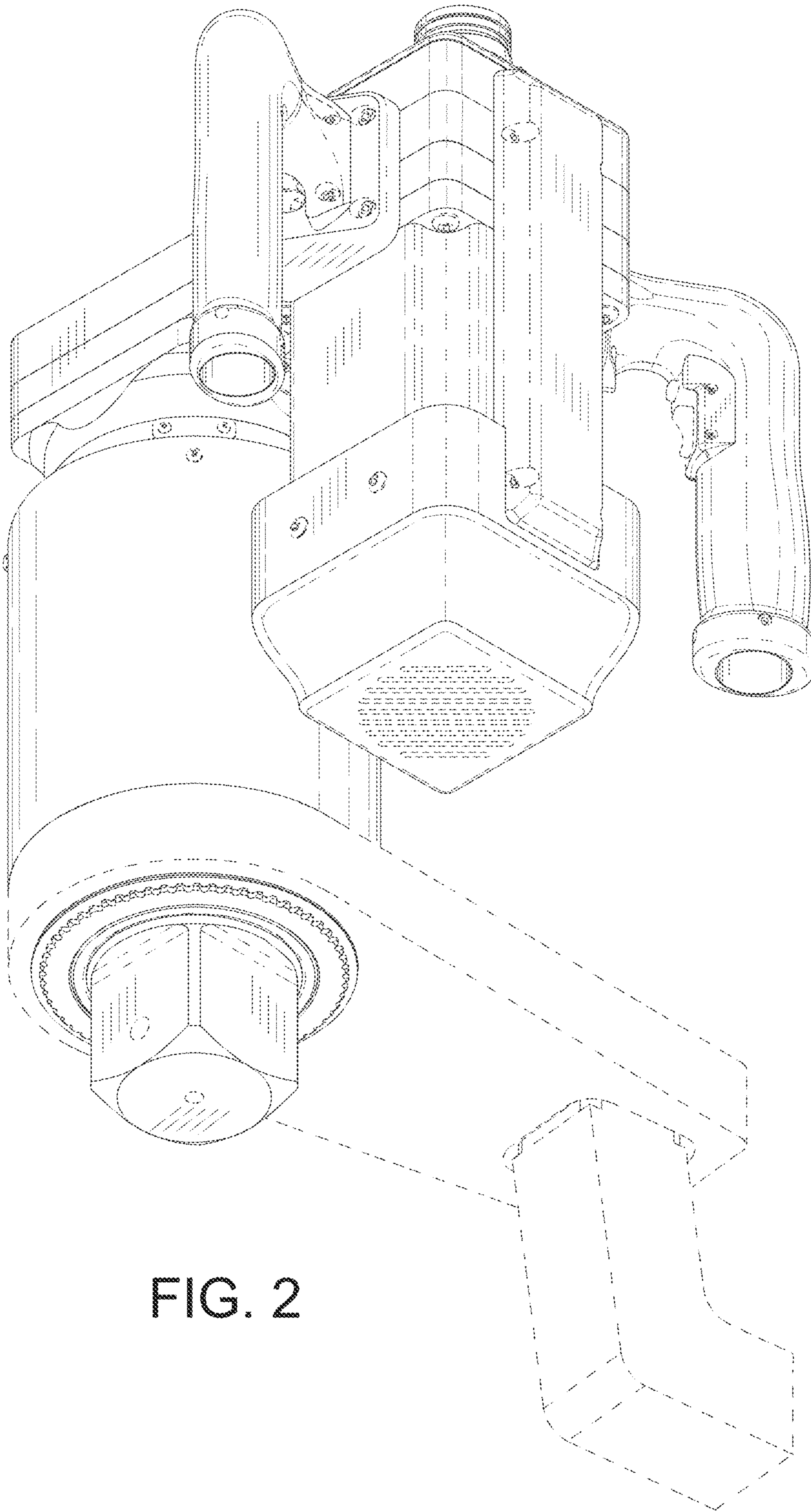


FIG. 2

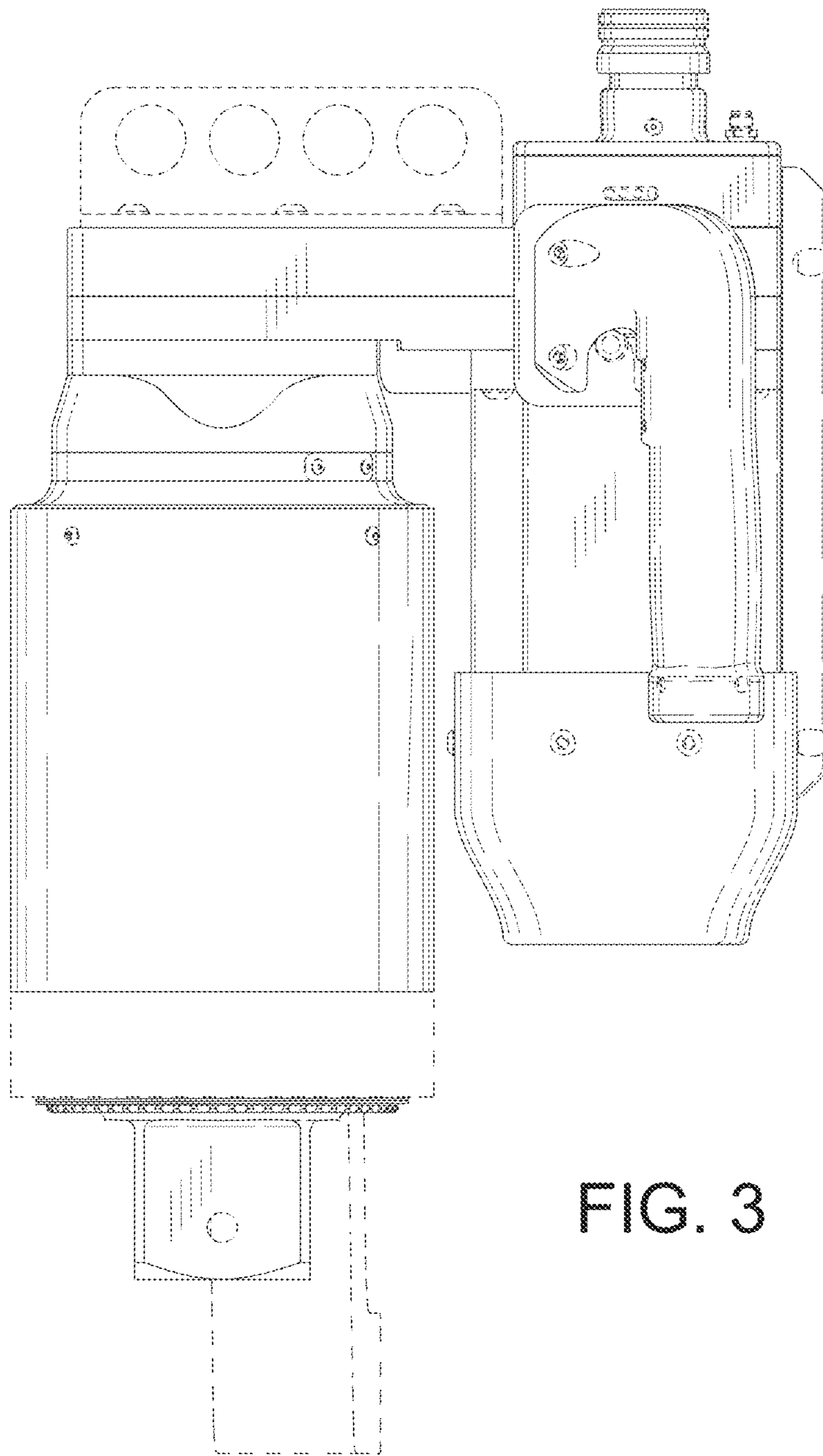


FIG. 3

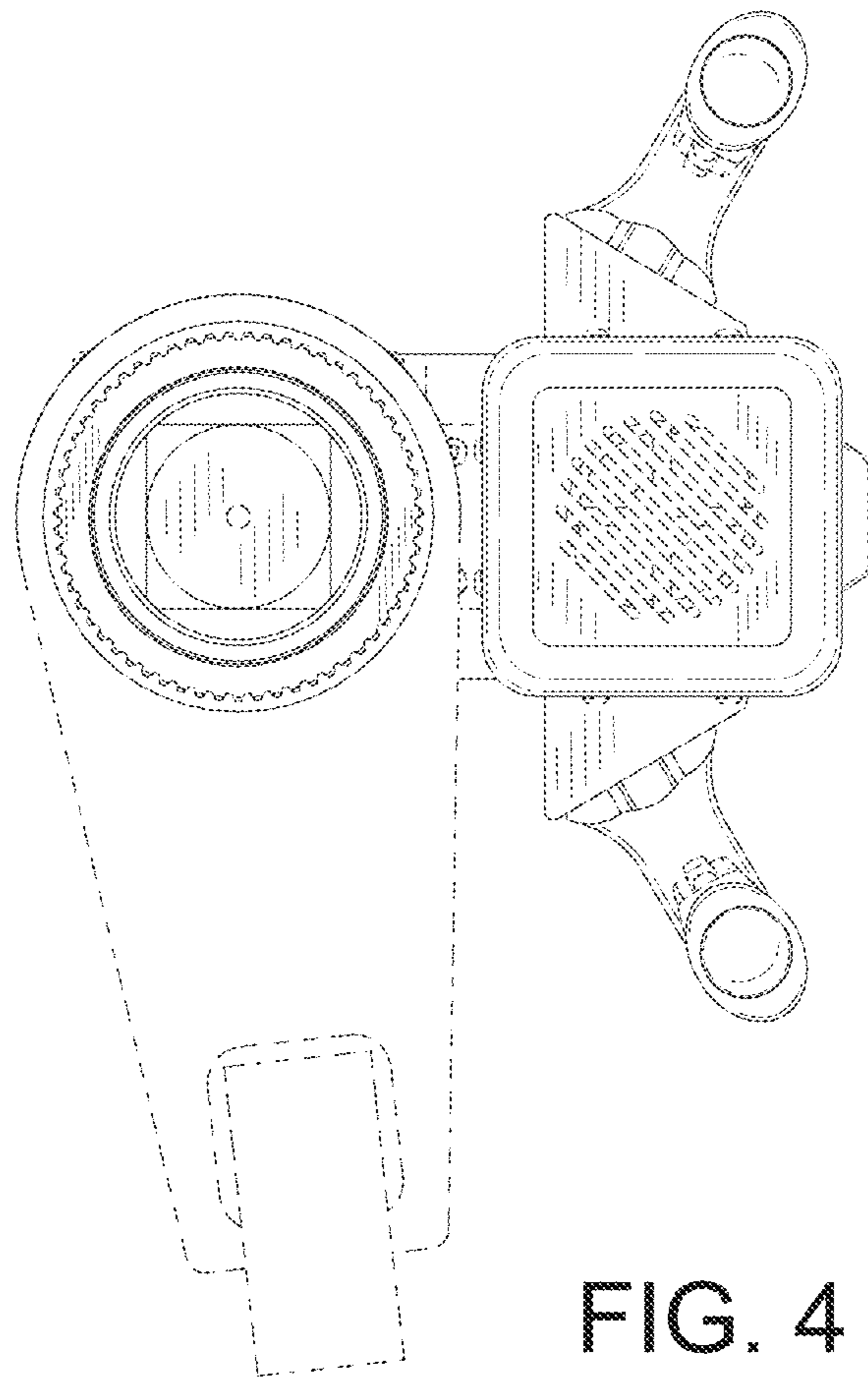


FIG. 4

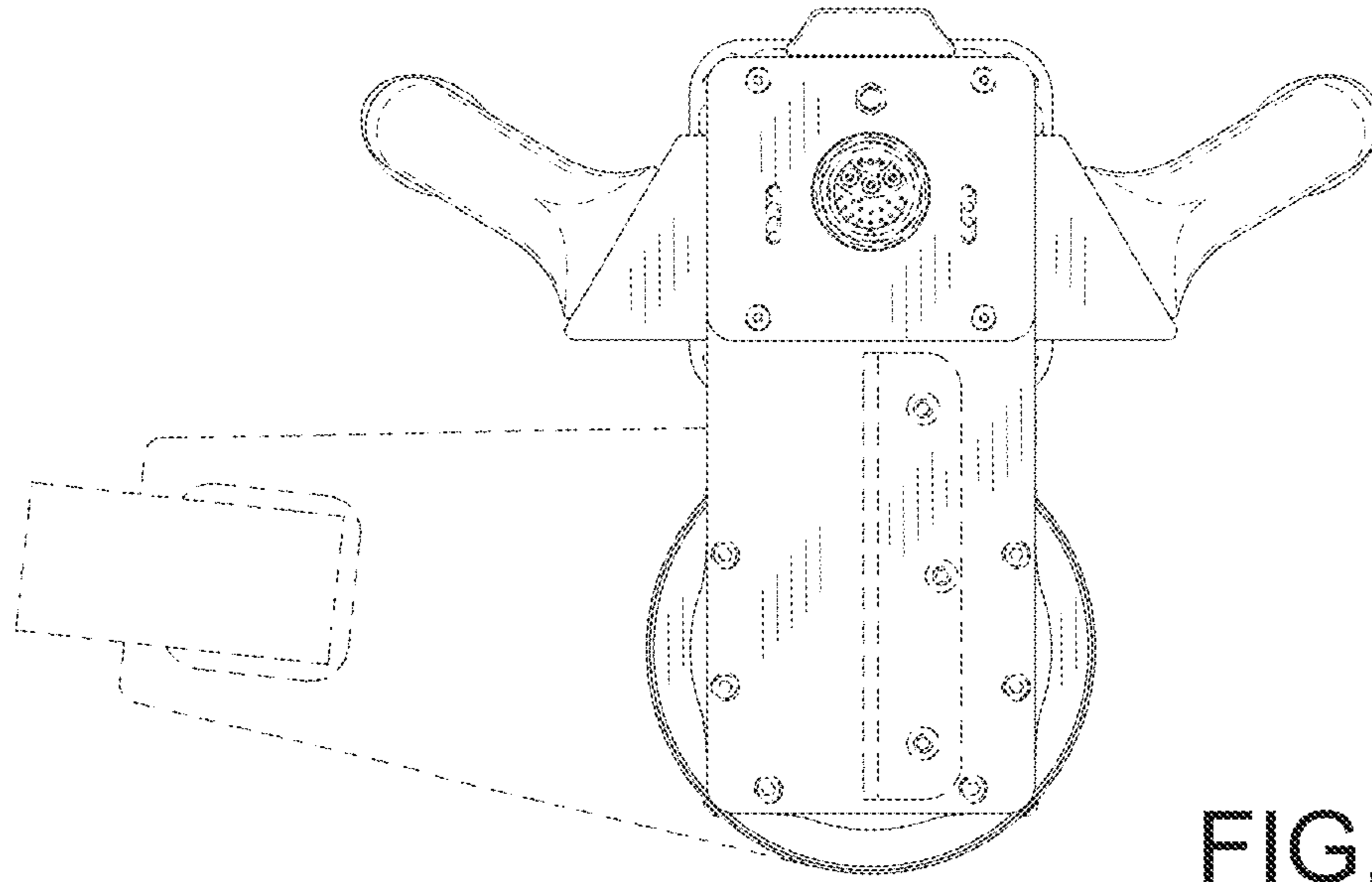


FIG. 5

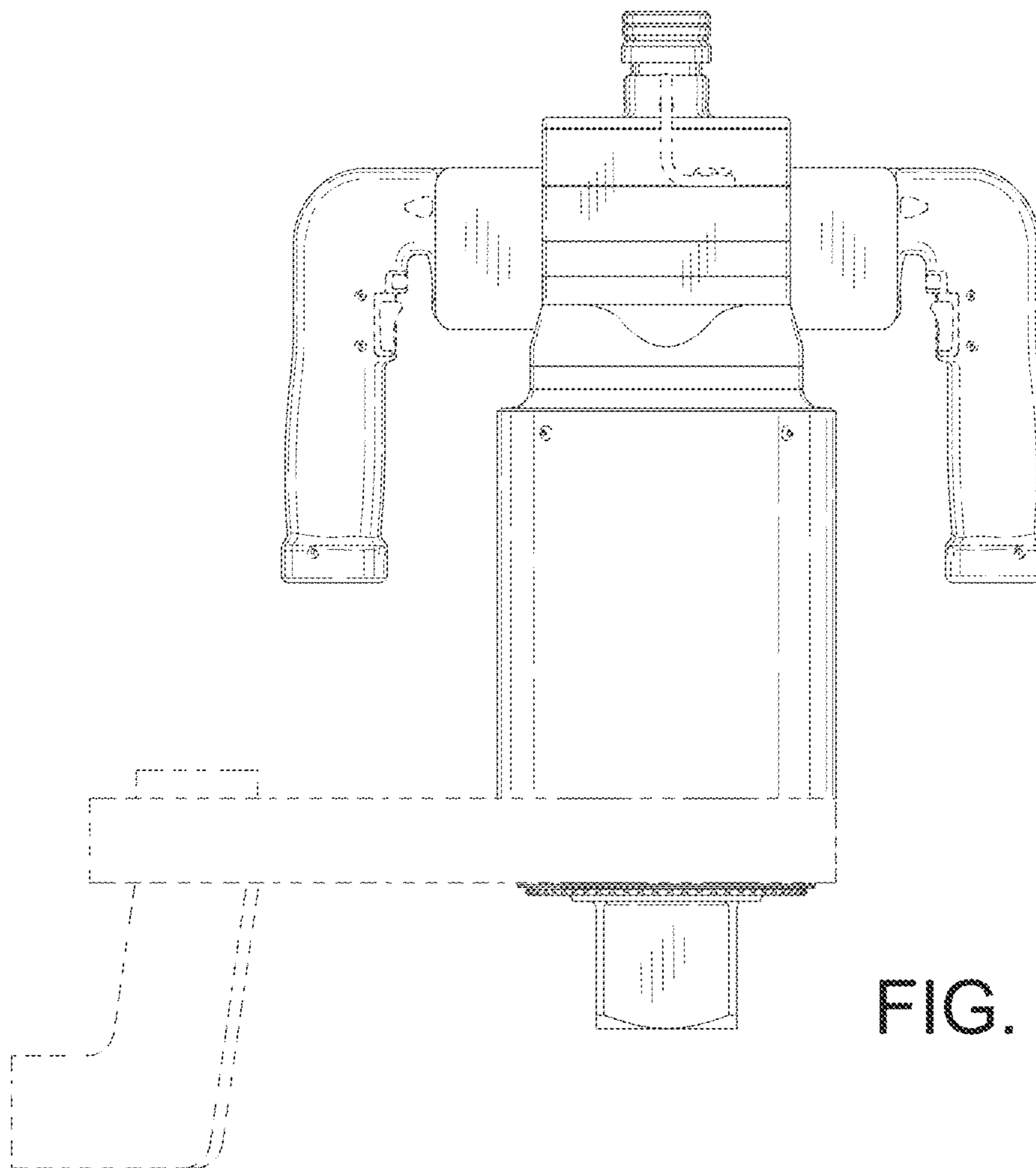


FIG. 6

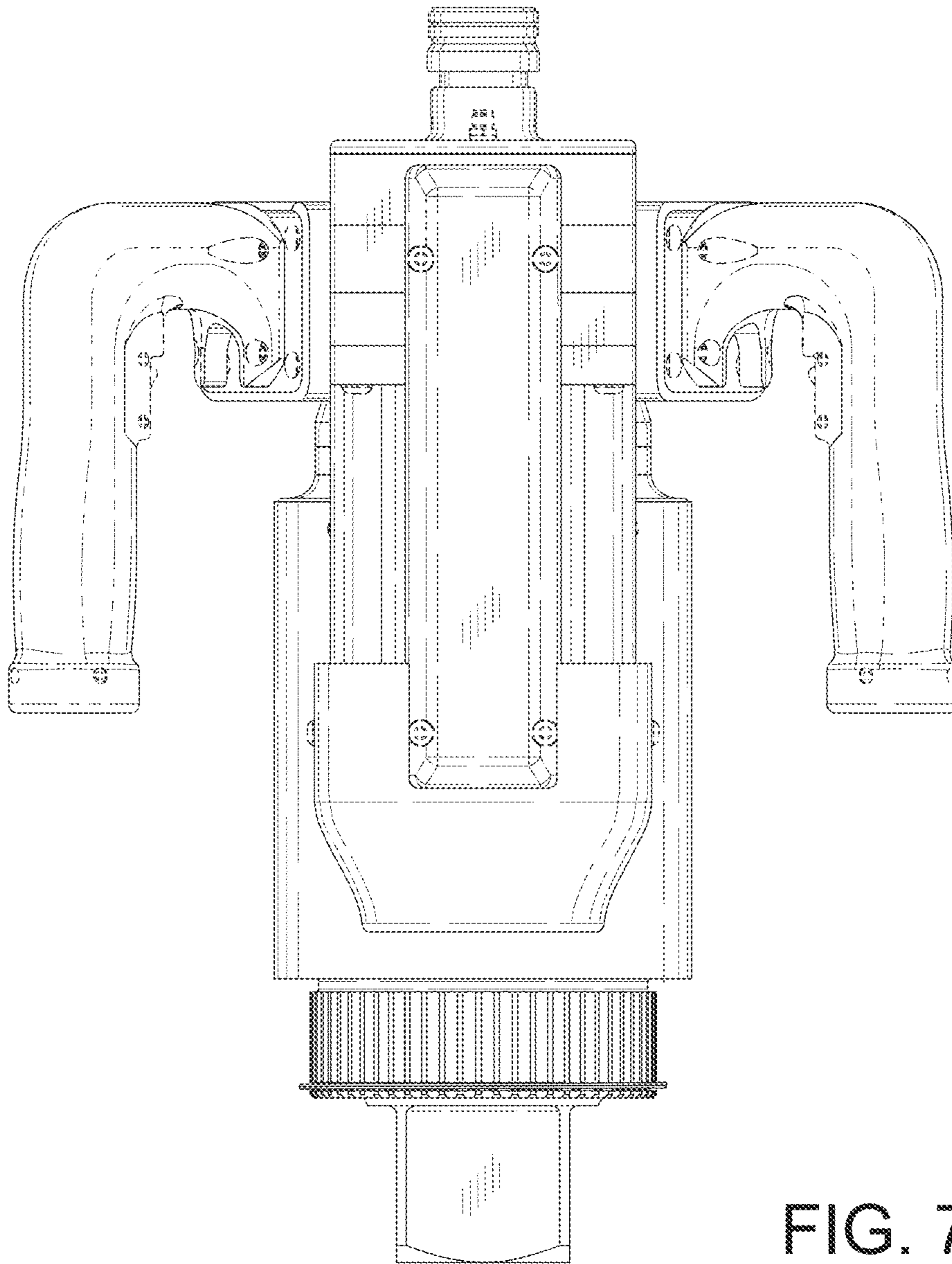


FIG. 7