



(12) **United States Design Patent**
Bassi

(10) **Patent No.:** **US D968,490 S**
(45) **Date of Patent:** **** Nov. 1, 2022**

(54) **TRIGGER HANDLE FOR A PLASMA TORCH**

(71) Applicant: **TEC.MO. S.R.L.**, Pianoro (IT)

(72) Inventor: **Giorgio Bassi**, Pianoro (IT)

(73) Assignee: **TEC.MO. S.R.L.**

(**) Term: **15 Years**

(21) Appl. No.: **29/723,340**

(22) Filed: **Feb. 6, 2020**

(30) **Foreign Application Priority Data**

Aug. 6, 2019 (EM) 006686275-0002

(51) **LOC (13) Cl.** **15-09**

(52) **U.S. Cl.**
USPC **D15/144**

(58) **Field of Classification Search**
USPC D23/207, 213, 223, 225, 226, 356, 360;
D8/14.1, 29.1, 30; D15/144, 144.2
CPC .. B05B 5/025; B05B 5/03; B05B 5/16; B05B
5/1691; B05B 7/0018; B05B 7/0093;
B05B 7/02; B05B 7/06; B05B 7/062;
B05B 7/064; B05B 7/12; B05B 7/1272;
B05B 7/129; B05B 7/24; B05B 7/2475;
B05B 7/2478; B05B 9/01; B05B 15/60;
B05B 15/63; F23D 14/38; F23D 14/42
See application file for complete search history.

(56) **References Cited**

U.S. PATENT DOCUMENTS

- D279,543 S * 7/1985 Pashkov D8/30
- D326,594 S * 6/1992 Haberman D8/30
- D343,629 S * 1/1994 Bode D15/144
- D346,390 S * 4/1994 Sperling D15/144
- 5,597,497 A * 1/1997 Dean H05H 1/34
219/121.48
- 6,025,574 A * 2/2000 Colangelo, Jr. B23K 9/295
200/43.17
- D458,818 S * 6/2002 Cheng D8/29.1

6,700,091 B2 * 3/2004 Jones H05H 1/34
219/121.48

D489,079 S * 4/2004 Horner-Richardson D15/144
D489,953 S * 5/2004 Horner-Richardson D8/30

(Continued)

OTHER PUBLICATIONS

P80 80-100Amp Plasma Cutting Torch, Apr. 29, 2016, Amazon, site visited Sep. 13, 2021: <https://www.amazon.com/dp/B01EYBNL1A/> (Year: 2016).*

(Continued)

Primary Examiner — Jack Reickel

Assistant Examiner — Bobby W Jones, II

(74) *Attorney, Agent, or Firm* — Ware, Fressola, Maguire & Barber LLP

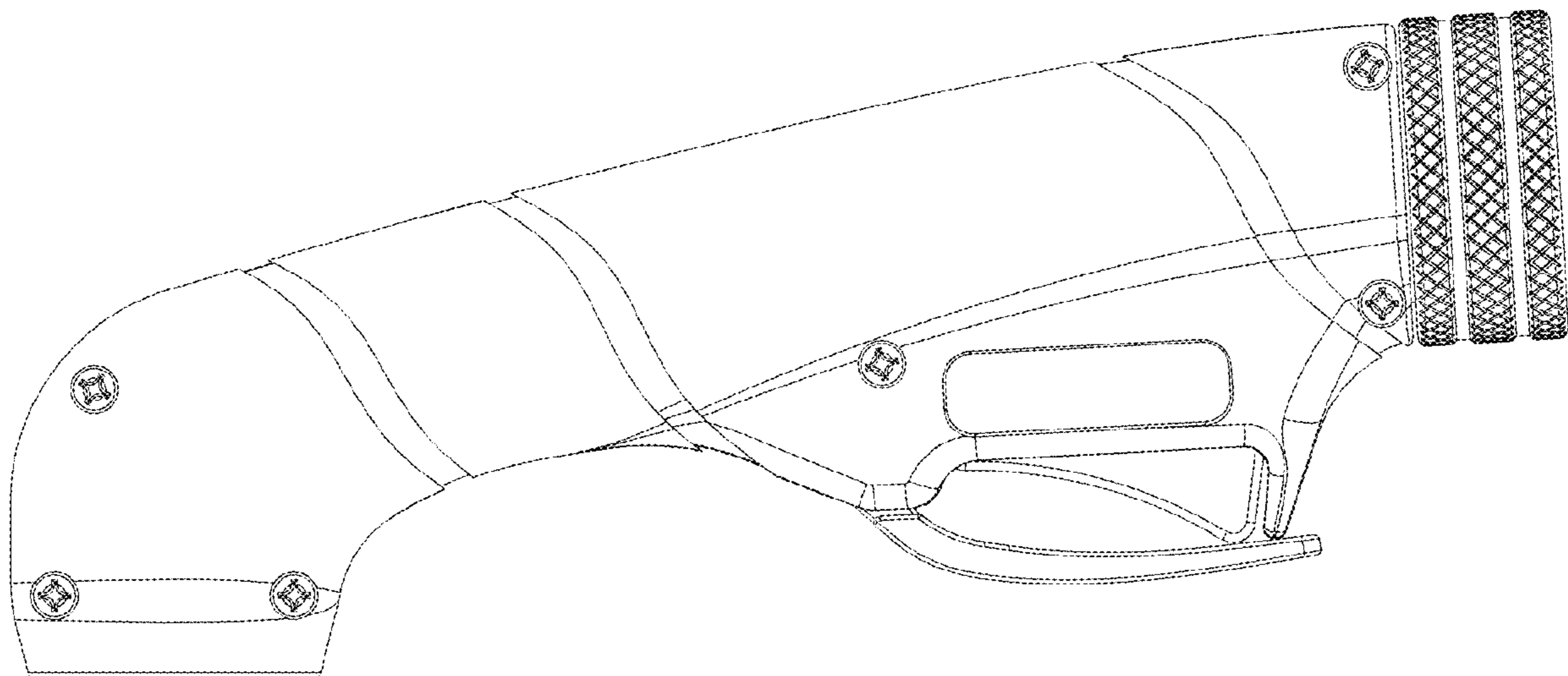
(57) **CLAIM**

The ornamental design for a trigger handle for a plasma torch, as shown and described.

DESCRIPTION

FIG. 1 is a right-side view of a trigger handle for a plasma torch according to the new design.
 FIG. 2 is a rear view thereof;
 FIG. 3 is a top view thereof;
 FIG. 4 is a right-side top perspective view thereof as viewed from the nozzle end;
 FIG. 5 is a right-side top perspective view thereof as viewed from the inlet end;
 FIG. 6 is a right-side bottom perspective view thereof as viewed from the inlet end; and,
 FIG. 7 is a right-side bottom perspective view thereof as viewed from the nozzle end.
 The broken line showing of a trigger handle for a plasma torch is for the purpose of illustrating portions of the article and forms no part of the claimed design.

1 Claim, 7 Drawing Sheets



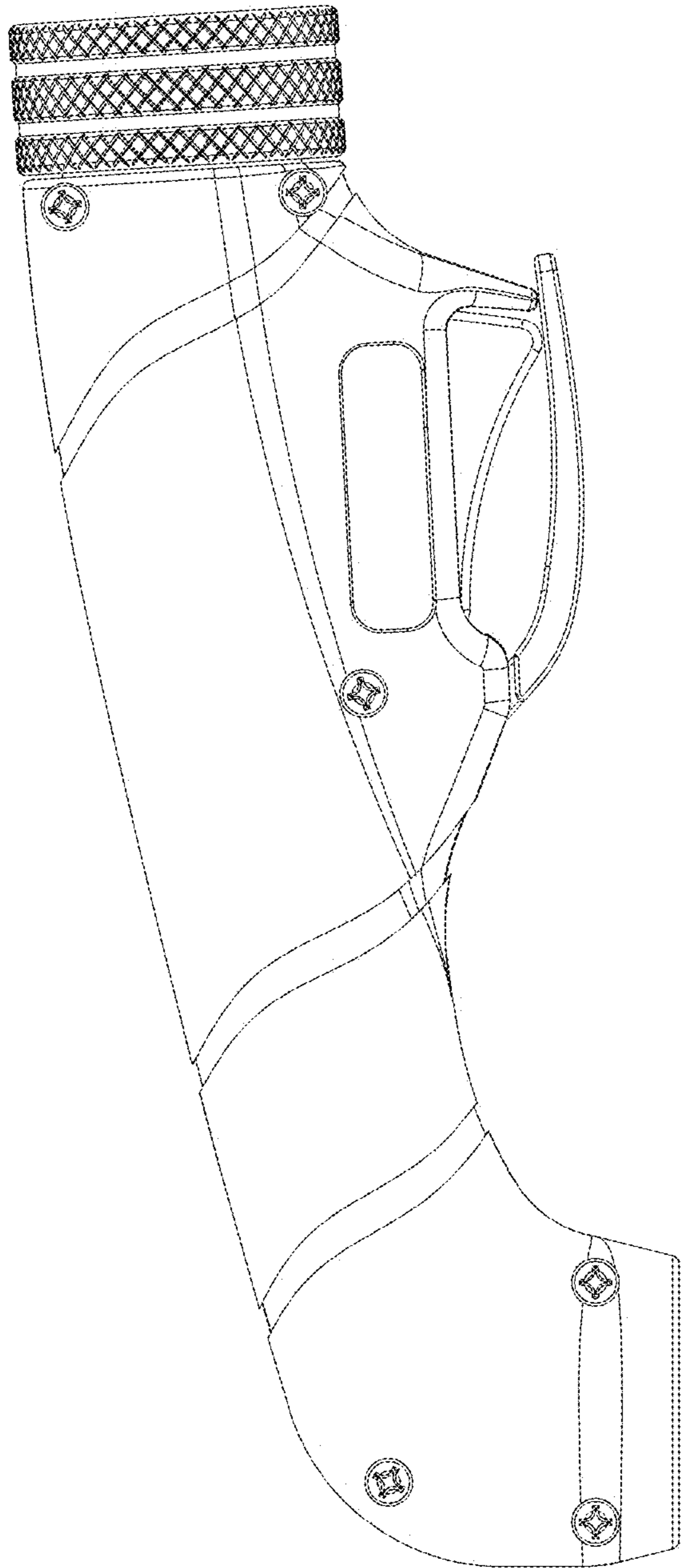


FIG. 1

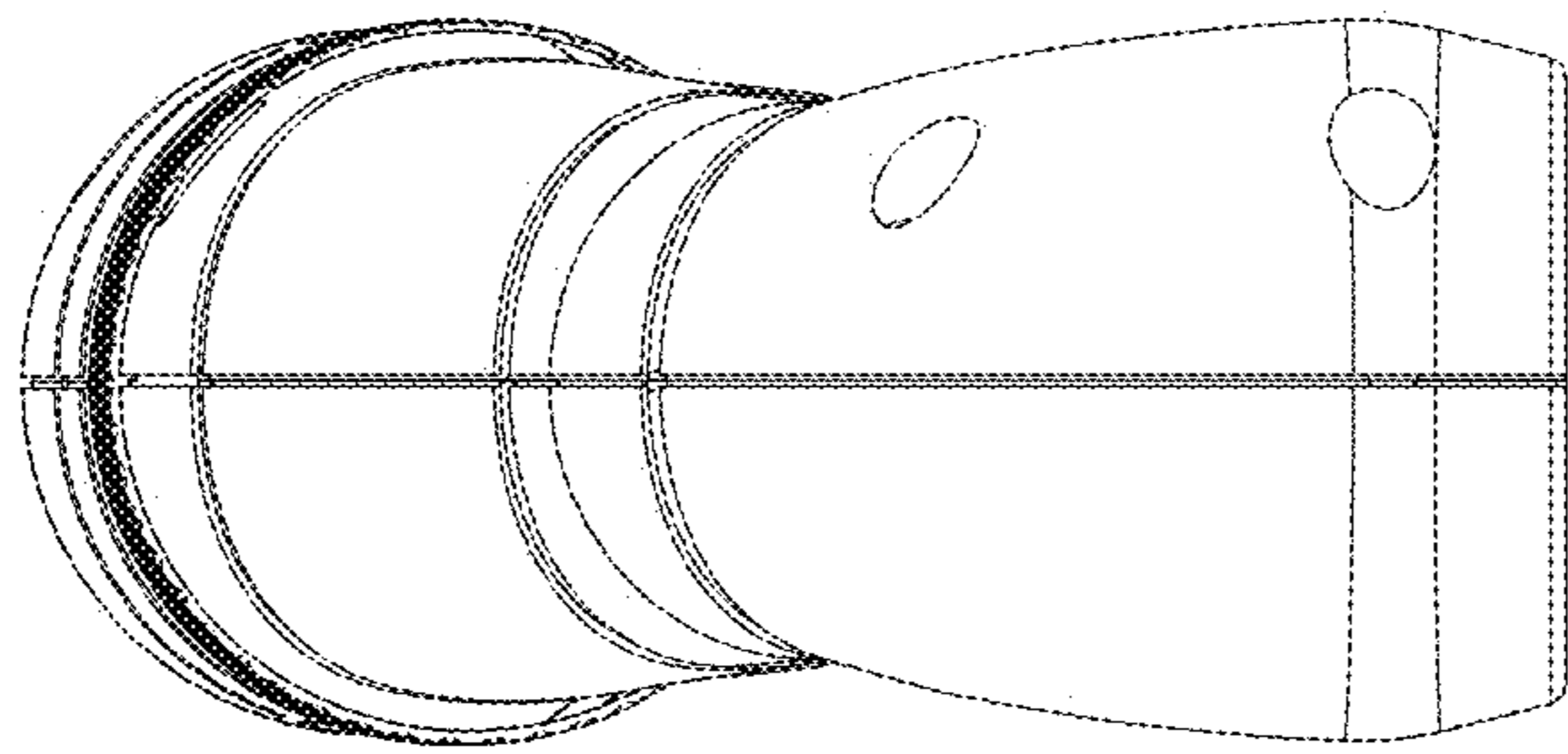


FIG. 2

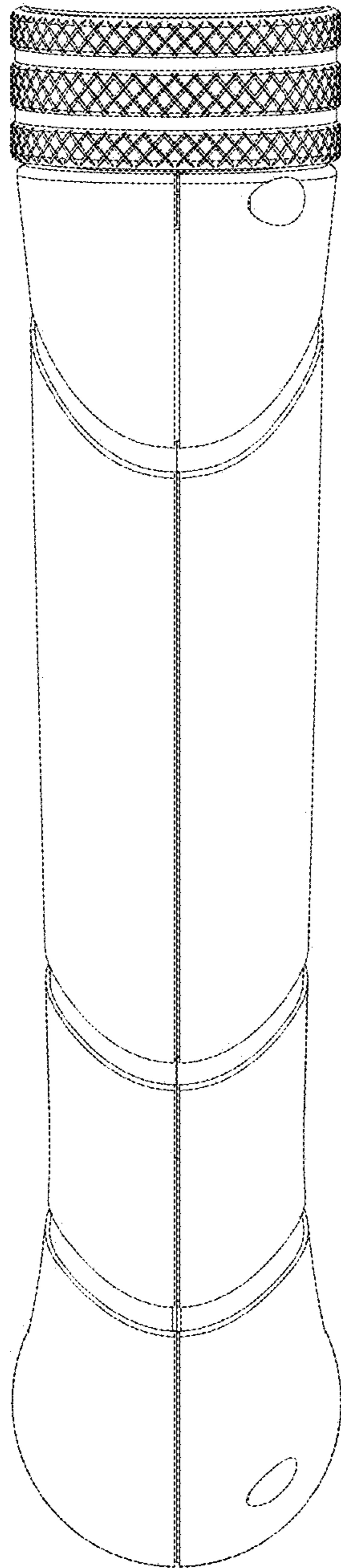


FIG. 3

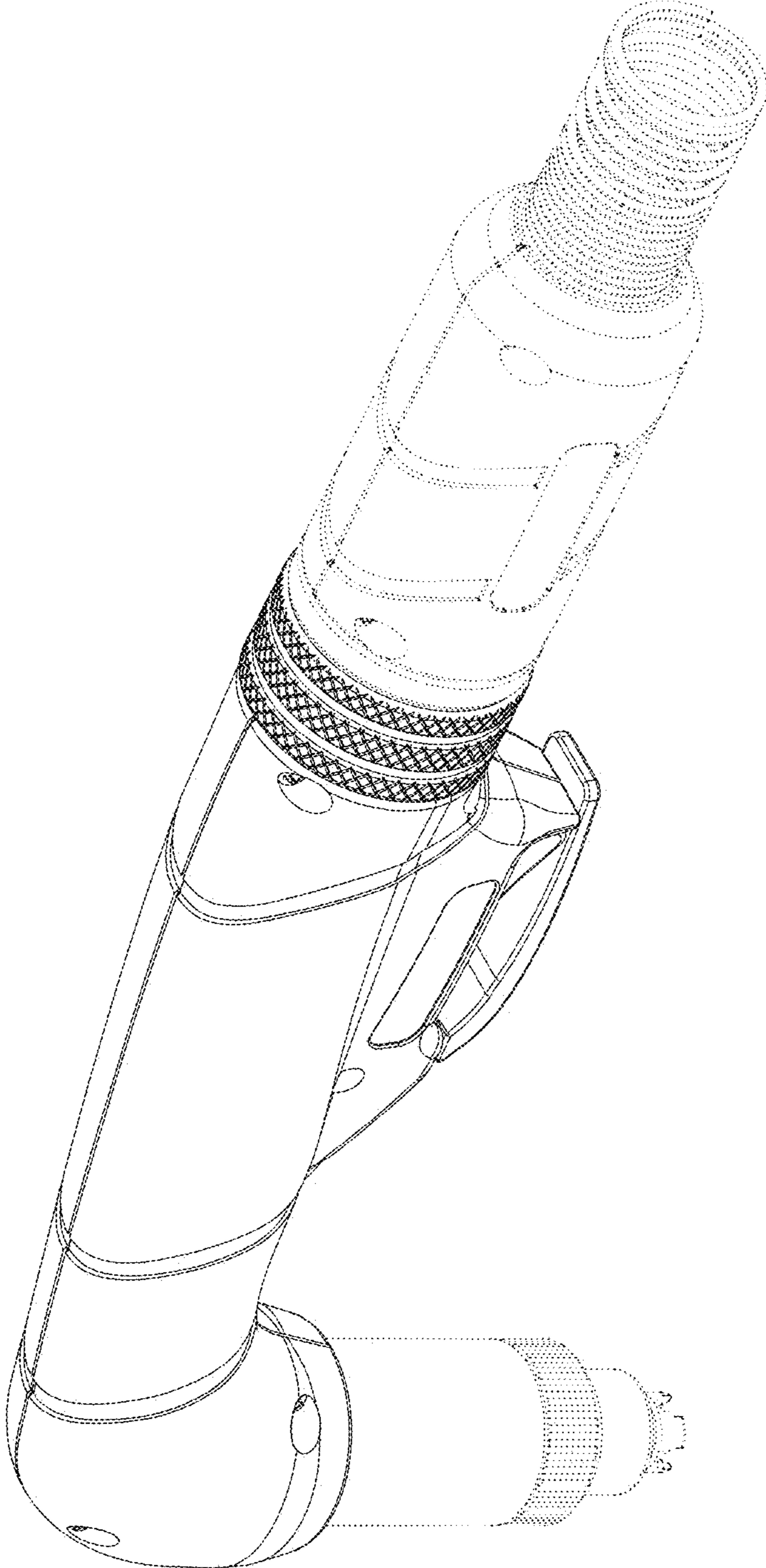


FIG. 4

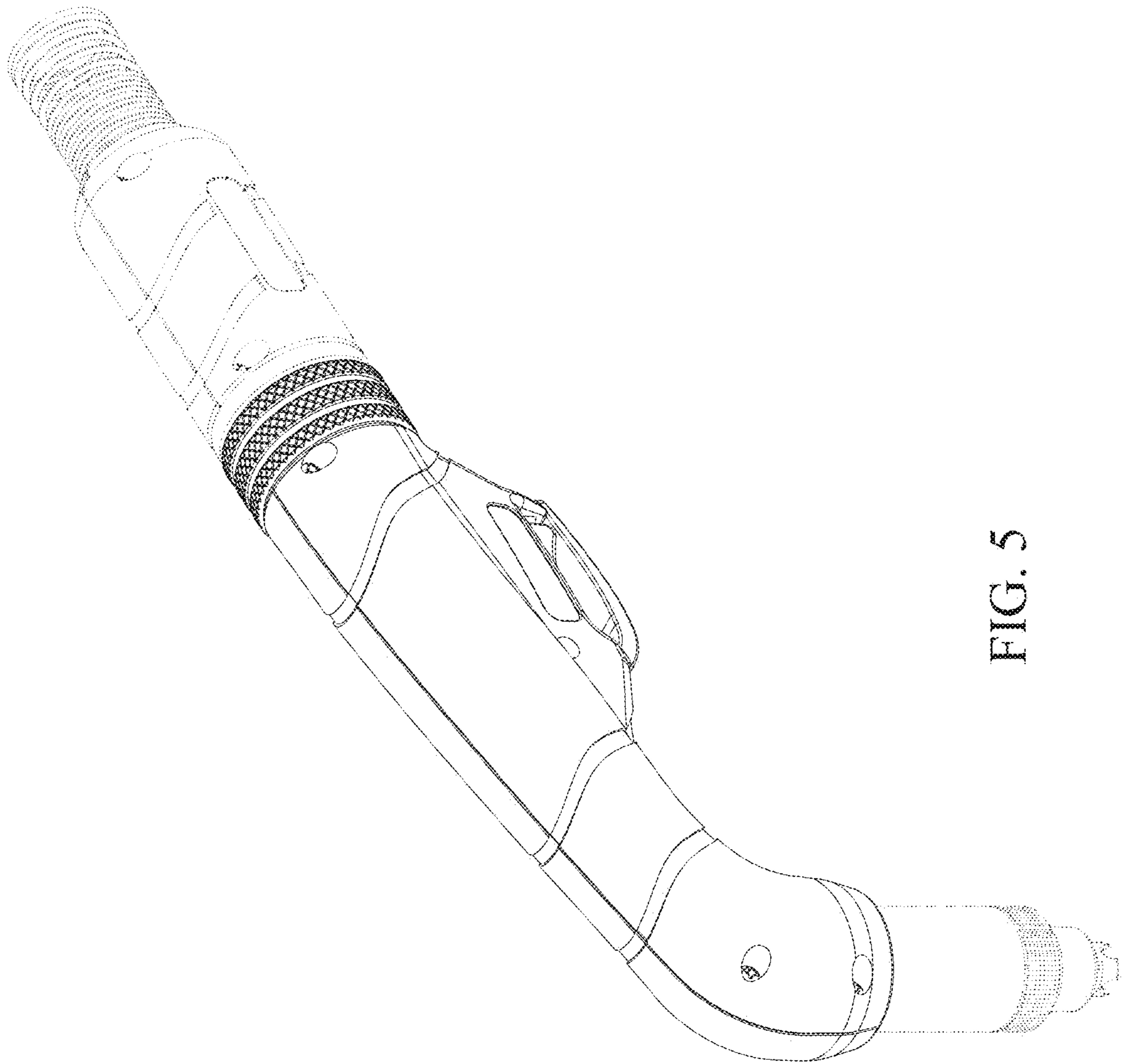


FIG. 5

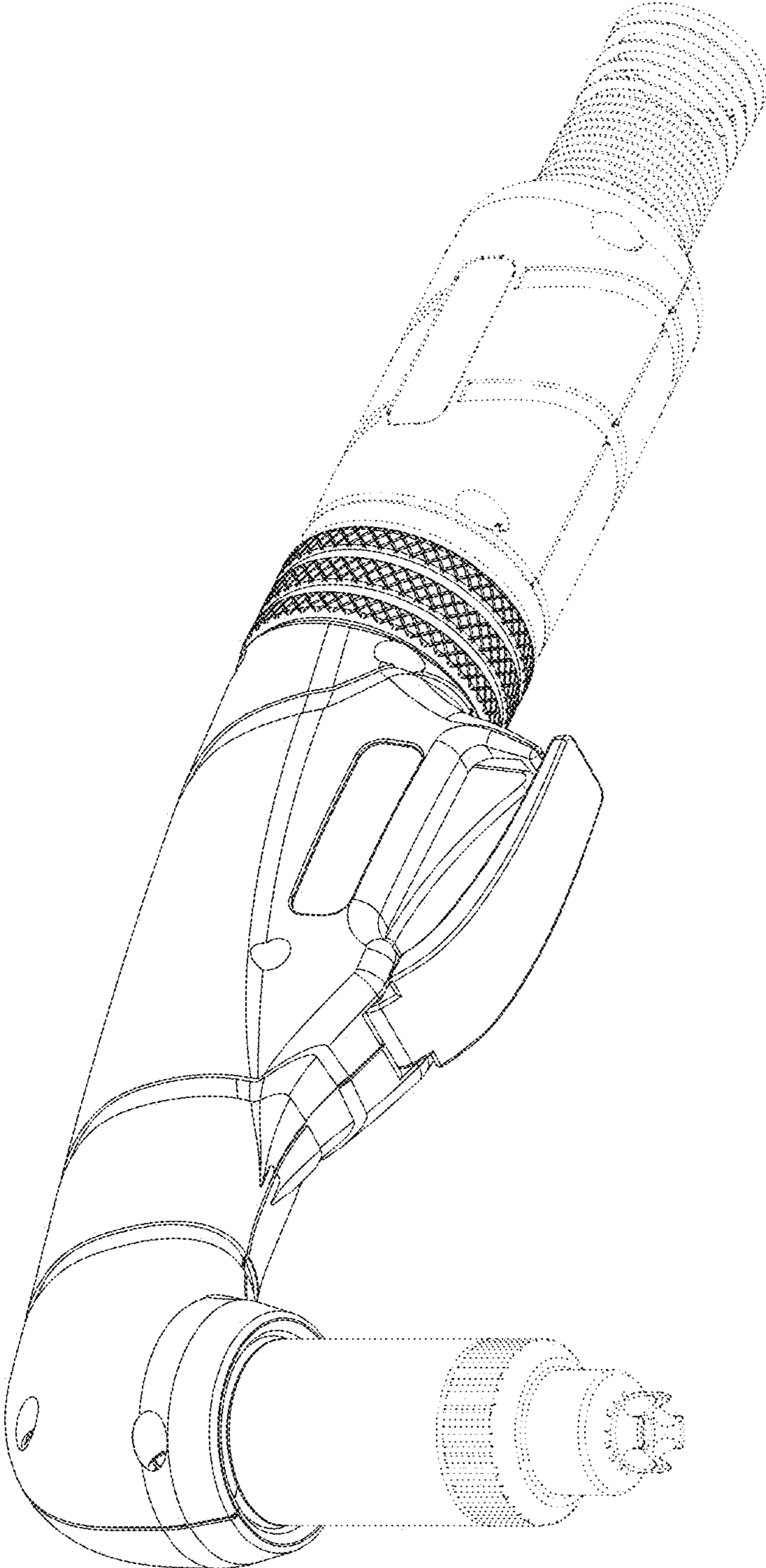


FIG. 6

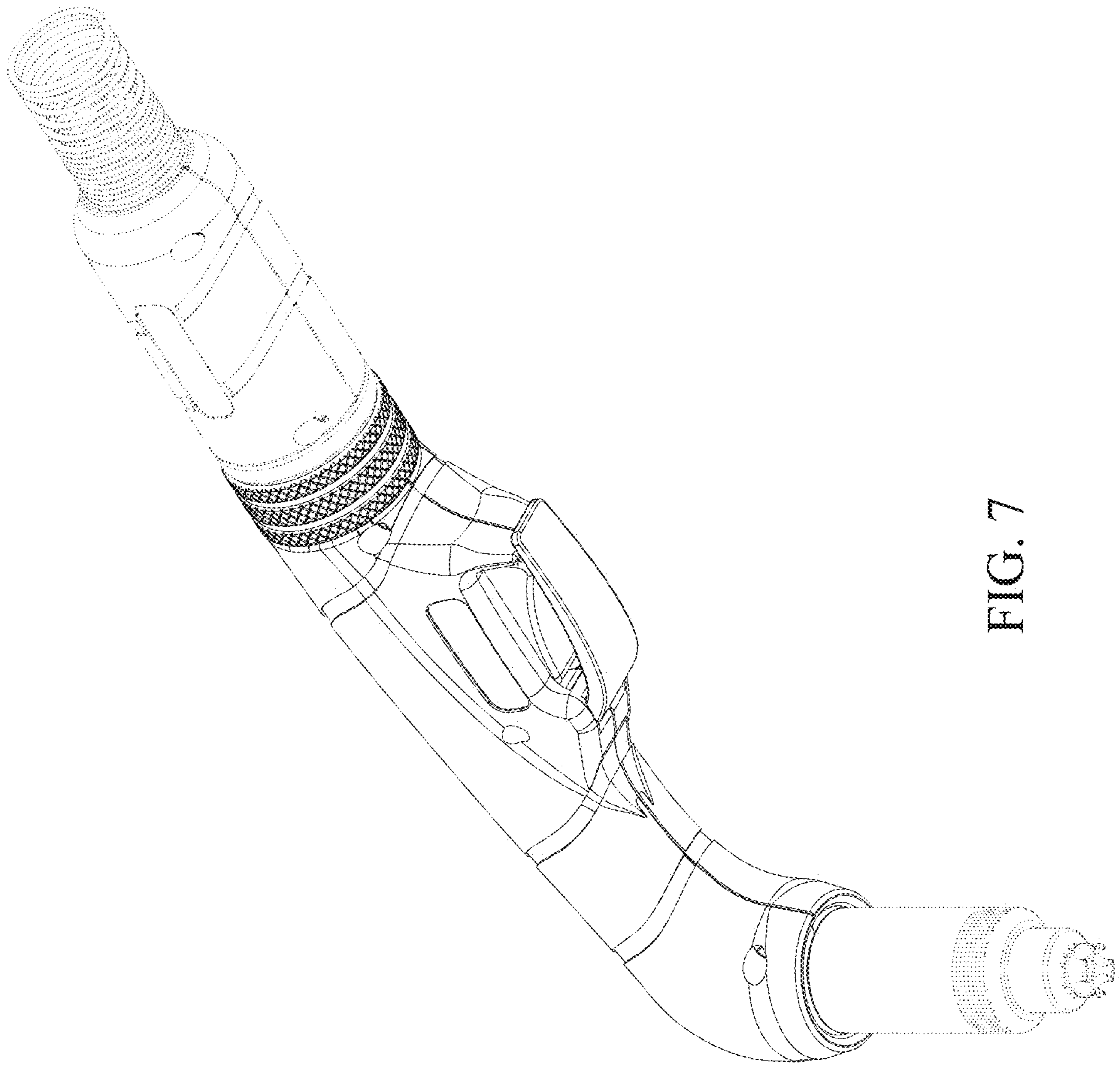


FIG. 7