



US00D968489S

(12) **United States Design Patent** (10) **Patent No.:** **US D968,489 S**
Zeiner (45) **Date of Patent:** **** Nov. 1, 2022**

(54) **CUTTING TOOL**

(56) **References Cited**

(71) Applicant: **SUMITOMO ELECTRIC
HARDMETAL CORP.**, Itami (JP)

(72) Inventor: **Christoph Zeiner**, Willich (DE)

(73) Assignee: **SUMITOMO ELECTRIC
HARDMETAL CORP.**, Itami (JP)

(**) Term: **15 Years**

(21) Appl. No.: **29/825,683**

(22) Filed: **Feb. 3, 2022**

U.S. PATENT DOCUMENTS

1,746,716 A	2/1930	Sasse	
3,518,737 A	7/1970	Hood	
D220,920 S *	6/1971	Cochran	D15/139
4,340,325 A *	7/1982	Gowanlock	B23B 27/045 D15/139
D278,716 S *	5/1985	Pano	D15/139
D284,011 S *	5/1986	Pano	D15/139
5,184,925 A	2/1993	Woods et al.	
D365,112 S *	12/1995	Wiman	D15/139
D470,516 S *	2/2003	Andersson	D15/139
D477,003 S *	7/2003	Muren	D15/139
D481,047 S *	10/2003	Brockett	D15/139
D527,400 S *	8/2006	Konet	D15/139
D535,312 S *	1/2007	Simpson, III	D15/139
D550,730 S *	9/2007	Nicholas	D15/140
D595,750 S *	7/2009	Ericksson	D15/139

(Continued)

Related U.S. Application Data

(62) Division of application No. 29/762,416, filed on Dec. 16, 2020.

Primary Examiner — Patricia A Palasik

(74) *Attorney, Agent, or Firm* — Faegre Drinker Biddle & Reath LLP

(30) **Foreign Application Priority Data**

Jun. 25, 2020	(JP)	2020-012813	D
Jun. 25, 2020	(JP)	2020-012814	D
Jun. 25, 2020	(JP)	2020-012815	D
Jun. 25, 2020	(JP)	2020-012816	D

(57) **CLAIM**

The ornamental design for a cutting tool, as shown and described.

(51) **LOC (13) Cl.** **15-09**

(52) **U.S. Cl.**
USPC **D15/139**

DESCRIPTION

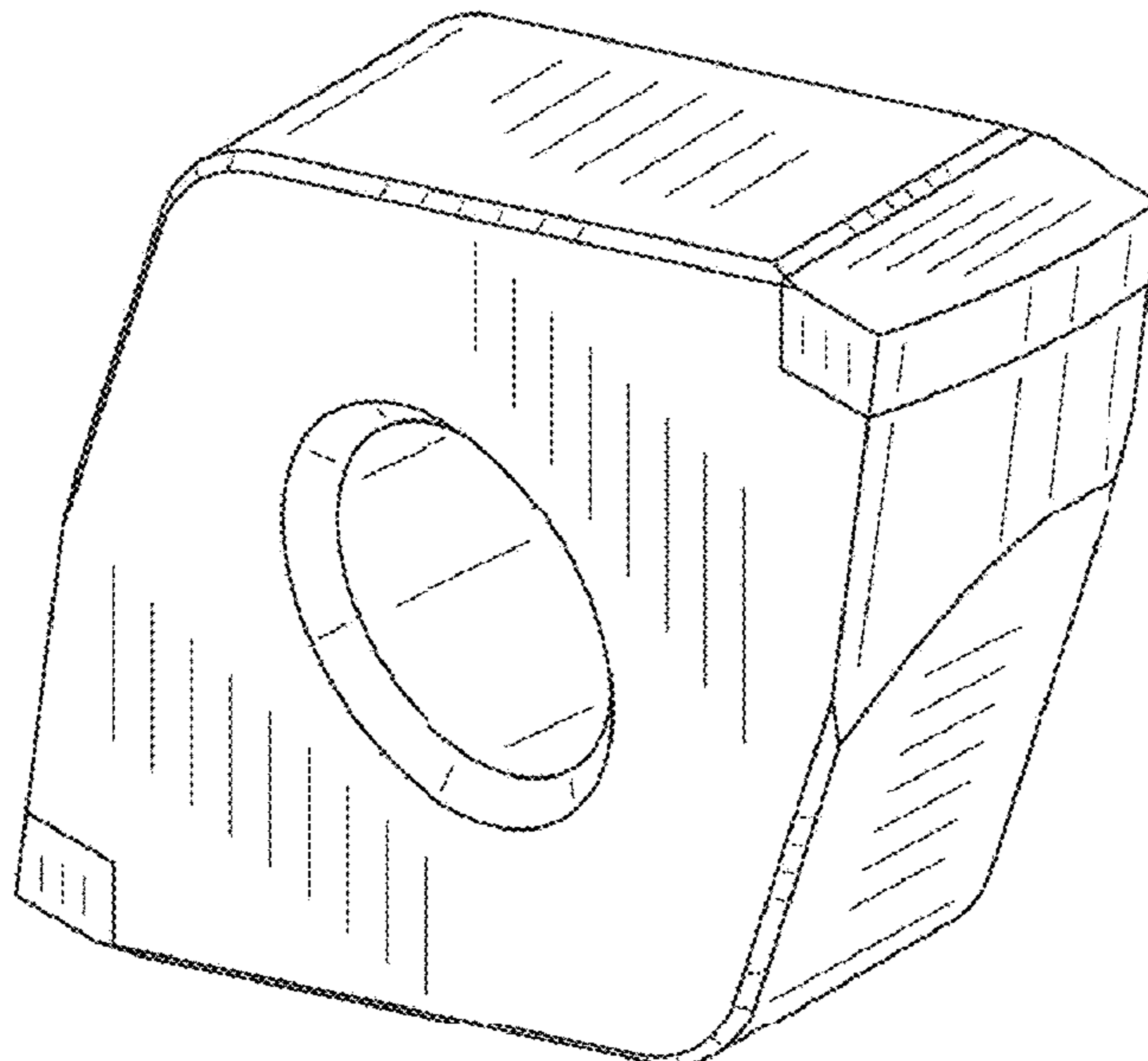
(58) **Field of Classification Search**

USPC D8/20, 70; D15/126, 131, 138, 139, 140
CPC B23B 27/145; B23B 27/1622; B23B
2200/048; B23B 2200/204; B23B
2200/085; B23B 2200/0416; B23B
2200/0423; B23B 2200/0477; B23B
2200/0494; B23C 5/205; B23C 5/207

FIG. 1 is a front view of a cutting tool in accordance with an embodiment of the present design;
FIG. 2 is a rear view thereof;
FIG. 3 is a right side view thereof;
FIG. 4 is a left side view thereof;
FIG. 5 is a top view thereof;
FIG. 6 is a bottom view thereof;
FIG. 7 is a first perspective view thereof;
FIG. 8 is a second perspective view thereof; and,
FIG. 9 is a referential view showing the state in use thereof.
The broken lines shown in the drawings represent portions of the cutting tool that form no part of the claimed design.

See application file for complete search history.

1 Claim, 5 Drawing Sheets



(56)

References Cited

U.S. PATENT DOCUMENTS

D595,751	S	7/2009	Sakata et al.	
D607,025	S *	12/2009	Niemi	D15/139
D688,716	S *	8/2013	Lampe	D15/139
D700,639	S *	3/2014	Choi	D15/139
D700,640	S *	3/2014	Choi	D15/139
D718,357	S *	11/2014	Park	D15/139
D805,564	S *	12/2017	Lee	B23C 5/00 D15/139
D805,566	S *	12/2017	Oh	B25C 5/06 D15/139
D823,089	S	7/2018	Shikama	
D838,755	S	1/2019	Takahashi	
D844,684	S	4/2019	Ojanen	
D845,360	S *	4/2019	Kobayashi	D15/139
D847,883	S *	5/2019	Kobayashi	D15/139
D898,085	S *	10/2020	Kim	B23C 5/202 D15/139
D900,893	S	11/2020	English	
D908,752	S *	1/2021	Nagafuchi	B23B 27/145 D15/139
D922,460	S	6/2021	Park et al.	
D924,950	S	7/2021	Wen et al.	
D936,713	S *	11/2021	Endoh	D15/139
2003/0077134	A1	4/2003	Moser et al.	
2013/0051940	A1	2/2013	Hobohm et al.	

* cited by examiner

FIG. 1

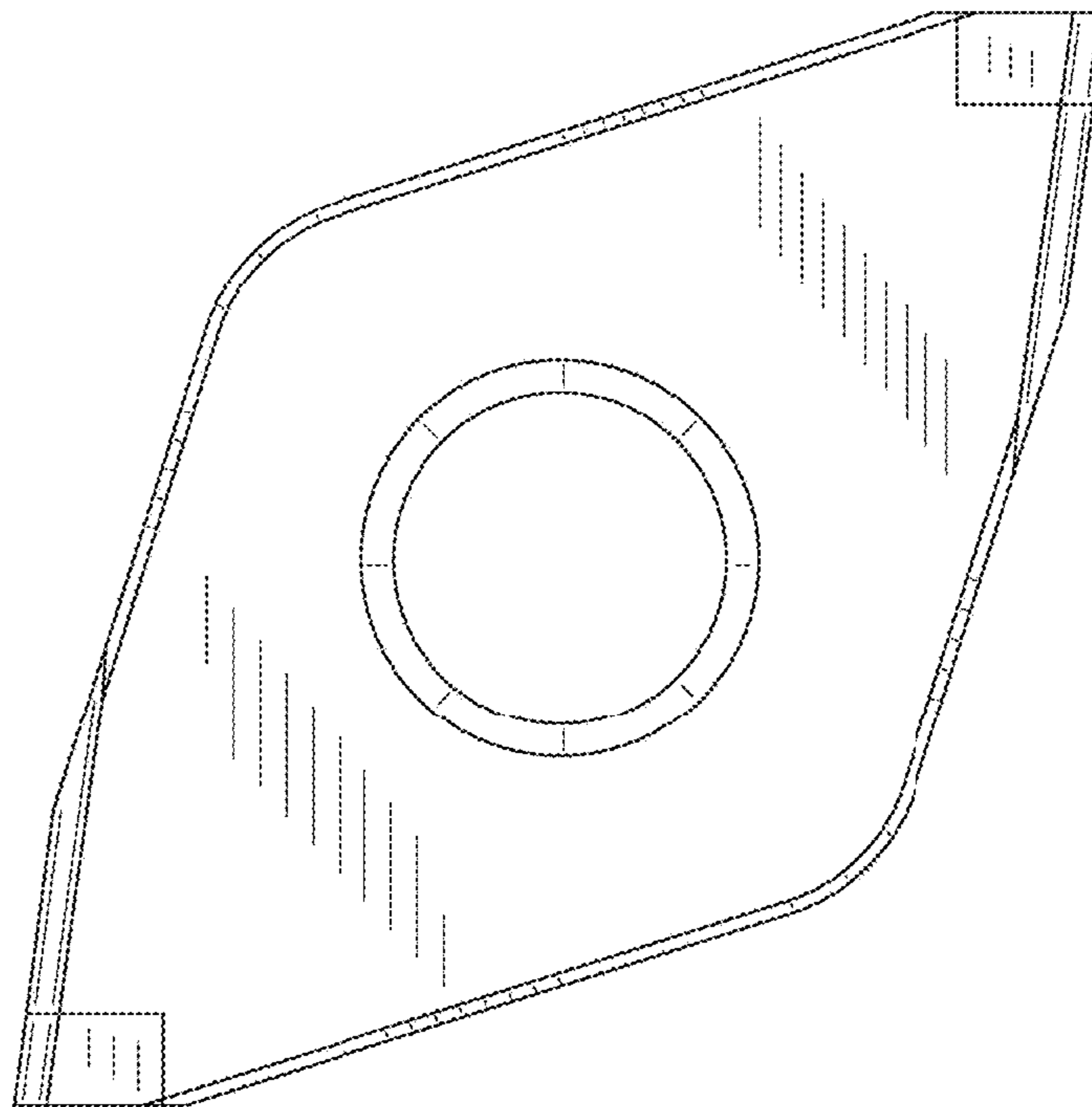


FIG. 2

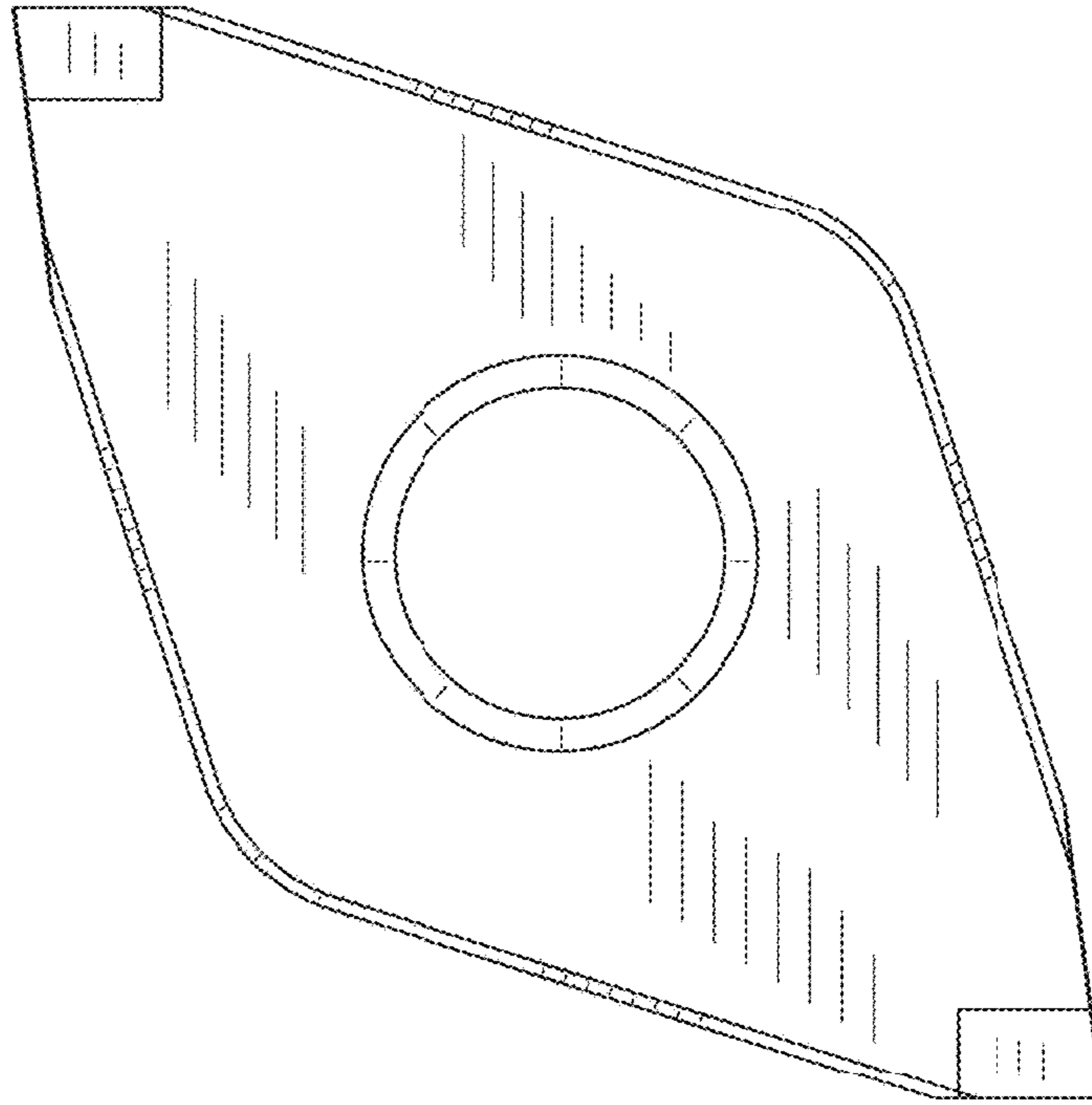


FIG. 3

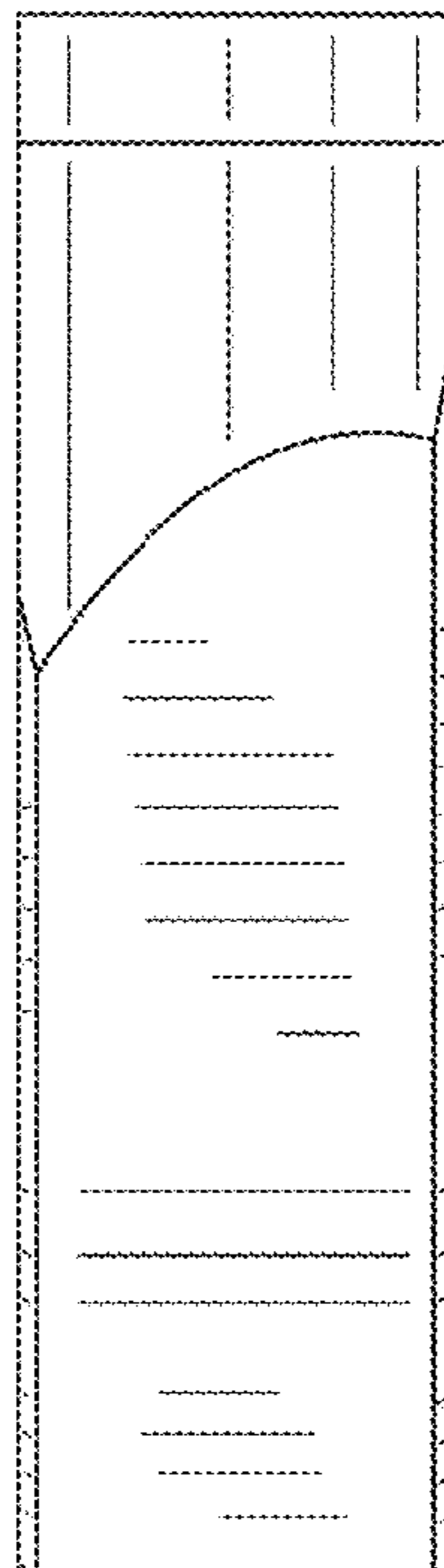


FIG. 4

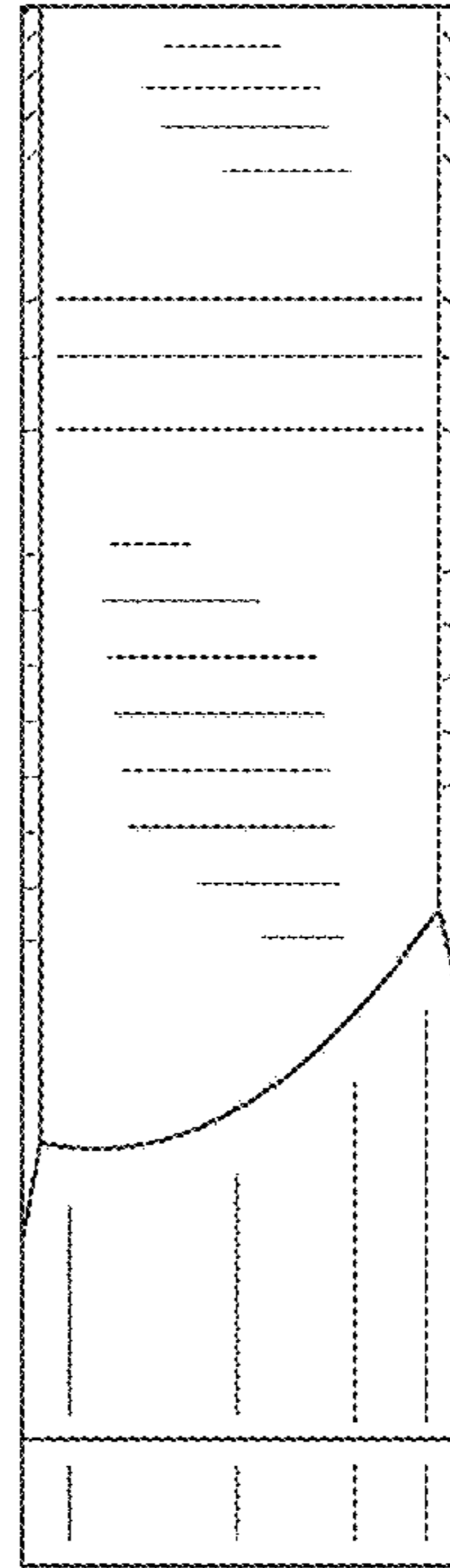


FIG. 5

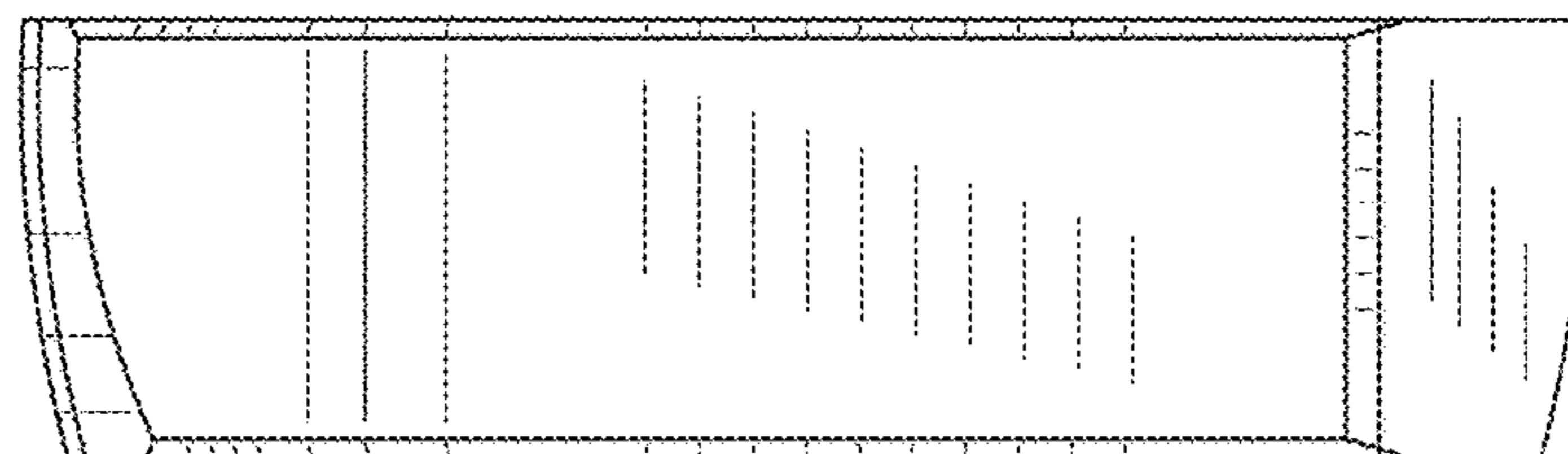


FIG. 6

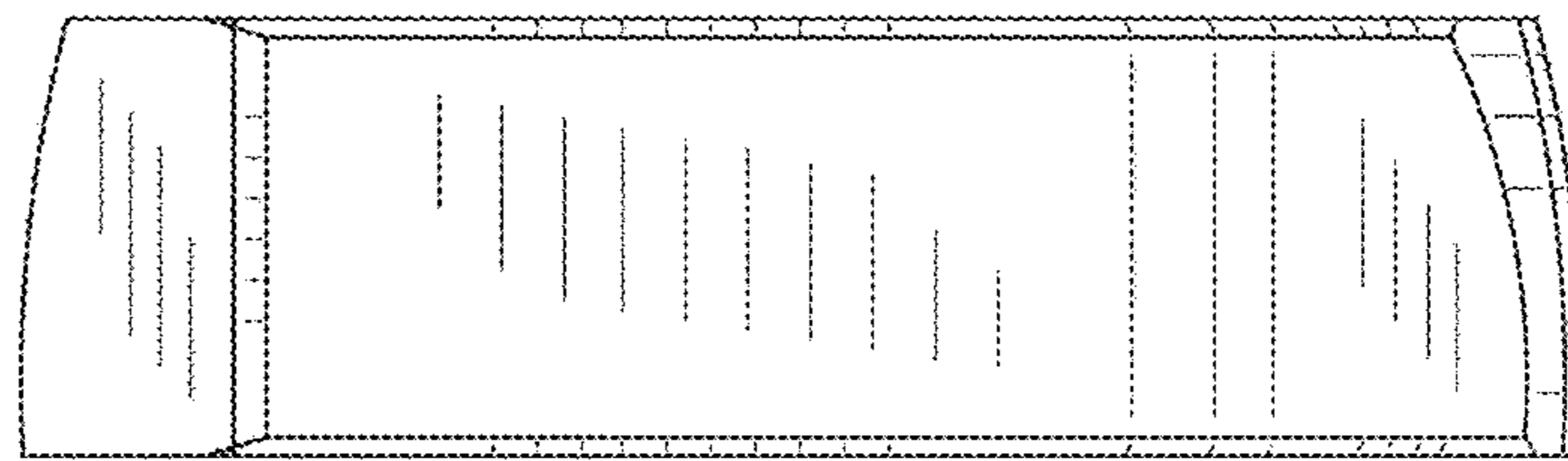


FIG. 7

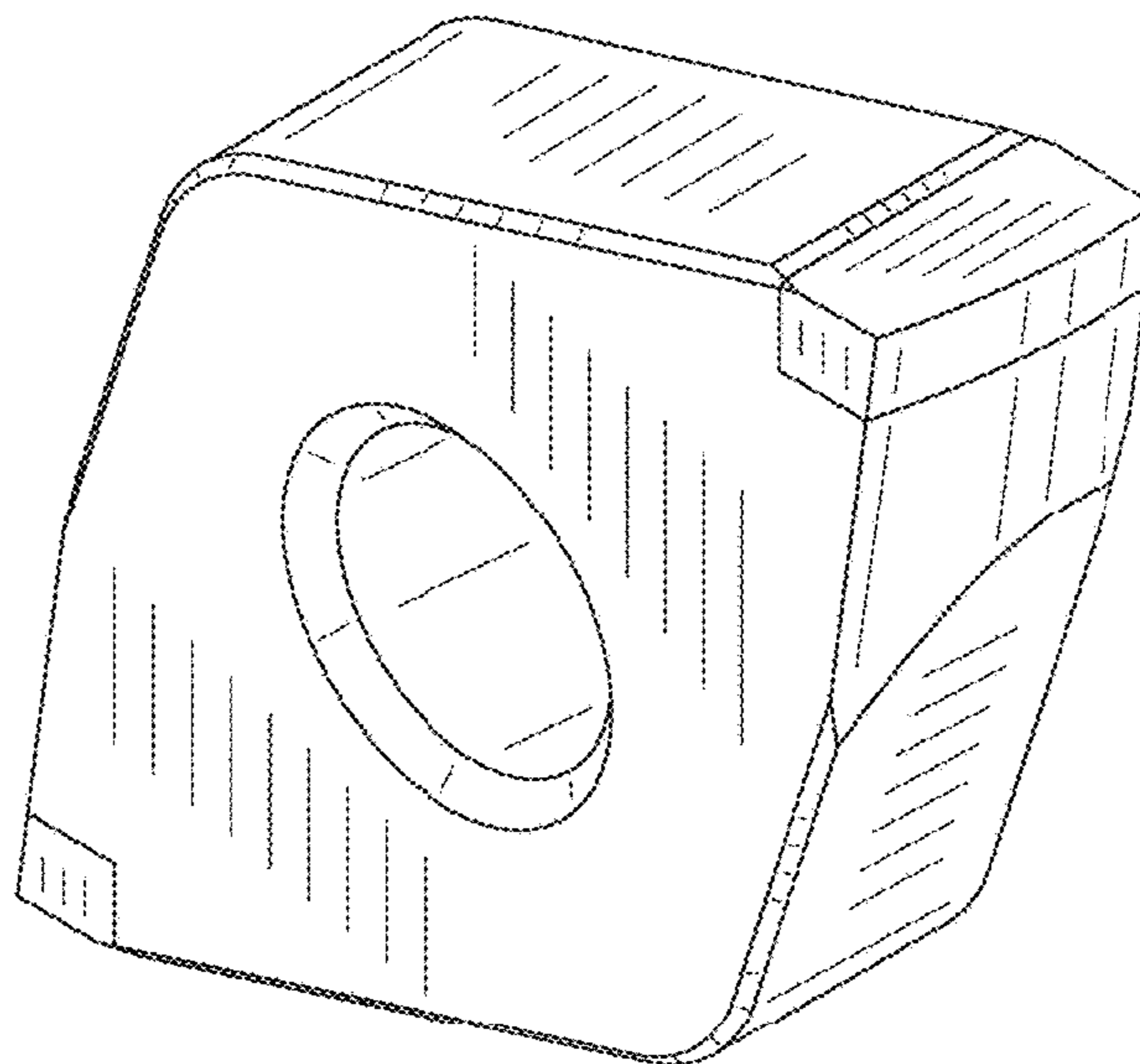


FIG. 8

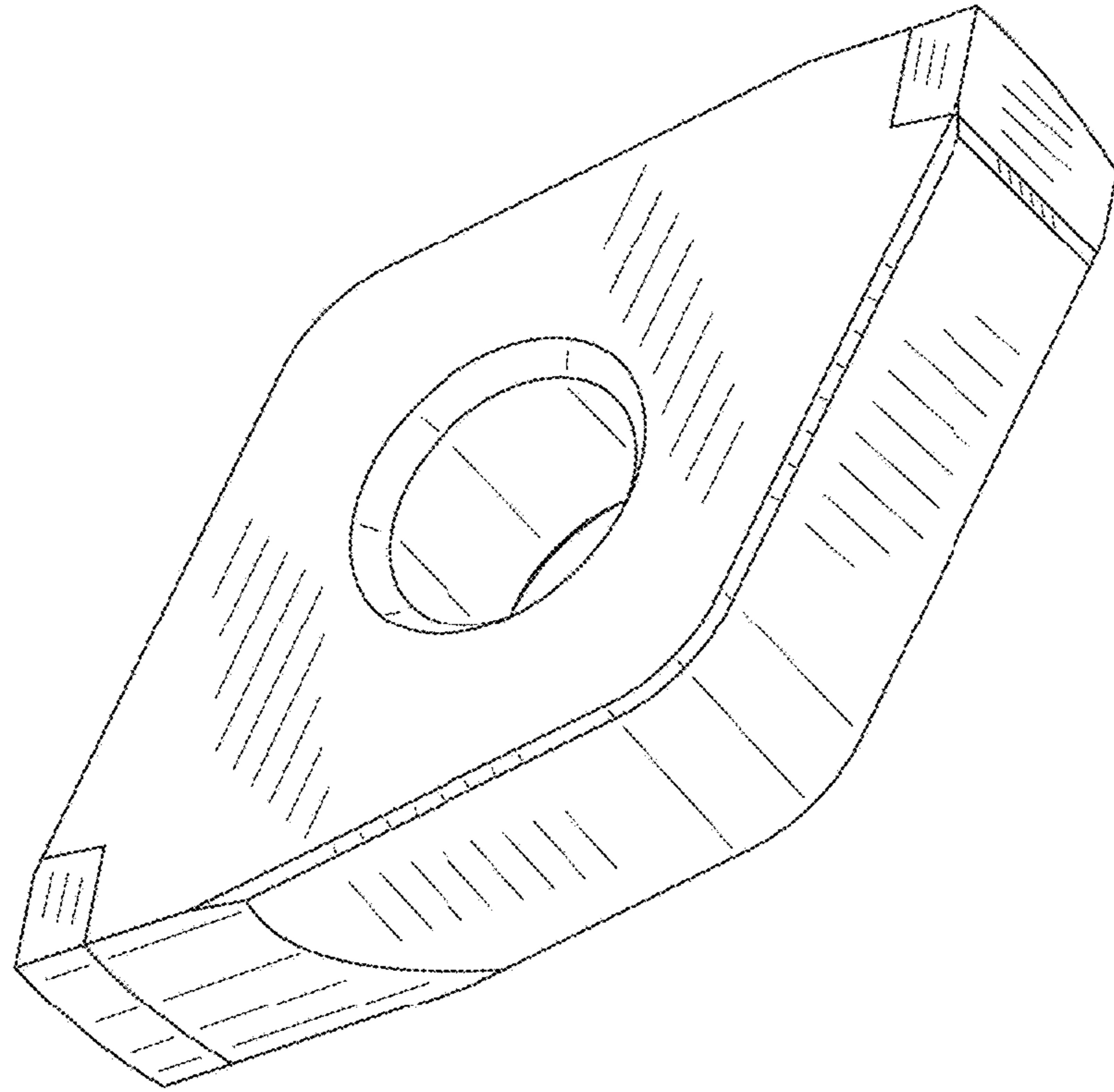


FIG. 9

