



US00D968488S

(12) **United States Design Patent** (10) **Patent No.:** **US D968,488 S**  
**Flodman et al.** (45) **Date of Patent:** **\*\* Nov. 1, 2022**

(54) **MILLING CUTTER TOOL**

43/108; E21B 47/00; E21B 47/09; E21B 47/12; E21B 47/122; E21B 4/02; E21B 7/061; E21B 7/068

(71) Applicant: **SECO TOOLS AB**, Fagersta (SE)

See application file for complete search history.

(72) Inventors: **Rikard Flodman**, Arboga (SE); **Kent Karlsson**, Fellingsbro (SE)

(56) **References Cited**

(73) Assignee: **SECO TOOLS AB**, Fagersta (SE)

U.S. PATENT DOCUMENTS

(\*\*) Term: **15 Years**

D250,388 S	11/1978	Rantanen	
D624,569 S *	9/2010	Norling .....	D15/139
D635,599 S	4/2011	Furseth	
D660,888 S *	5/2012	Piliguian .....	D15/126
D768,742 S	10/2016	Charbonneau	
D772,963 S *	11/2016	Nam .....	D15/139
D812,115 S	3/2018	MacLennan	

(21) Appl. No.: **29/774,674**

(22) Filed: **Mar. 18, 2021**

(Continued)

**Related U.S. Application Data**

(62) Division of application No. 29/681,682, filed on Feb. 27, 2019, now Pat. No. Des. 926,239.

OTHER PUBLICATIONS

(30) **Foreign Application Priority Data**

SECO Tools Previews and IMTS Product and Service Intros, <https://www.moldmakingtechnology.com/news/seco-tools-previews-imts-product-and-service-intros>, 3 pages, Aug. 8, 2018.

Aug. 29, 2018	(EM) .....	005623030-001
Aug. 29, 2018	(EM) .....	005623030-002
Aug. 29, 2018	(EM) .....	005623030-003
Aug. 29, 2018	(EM) .....	005623030-004
Aug. 29, 2018	(EM) .....	005623030-005
Aug. 29, 2018	(EM) .....	005623030-006

(Continued)

*Primary Examiner* — Khawaja Anwar

(74) *Attorney, Agent, or Firm* — Volpe Koenig

(51) **LOC (13) Cl.** ..... **15-03**

(57) **CLAIM**

(52) **U.S. Cl.**  
USPC ..... **D15/139**

The ornamental design for a milling cutter tool, as shown and described.

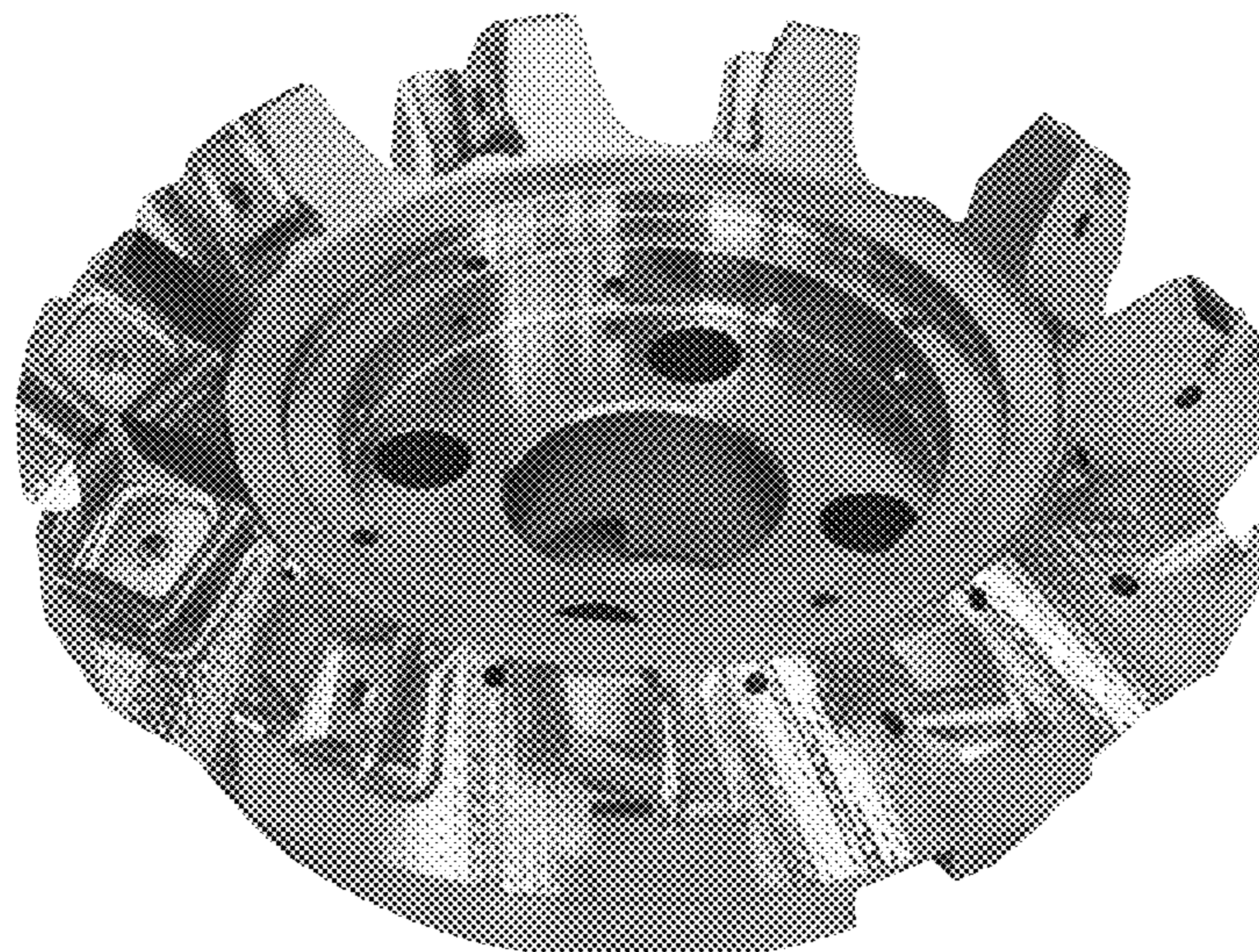
(58) **Field of Classification Search**

**DESCRIPTION**

USPC ..... D15/128, 131, 138, 139, 140  
CPC ..... E21B 33/1208; E21B 23/00; E21B 10/00;  
E21B 10/42; E21B 10/54; E21B 10/55;  
E21B 10/602; E21B 17/00; E21B 17/023;  
E21B 17/06; E21B 19/14; E21B 19/155;  
E21B 21/103; E21B 23/02; E21B 23/14;  
E21B 29/00; E21B 29/005; E21B 29/02;  
E21B 29/06; E21B 31/107; E21B 31/113;  
E21B 31/12; E21B 33/12; E21B 33/128;  
E21B 33/129; E21B 33/1293; E21B  
33/134; E21B 34/12; E21B 43/08; E21B

FIG. 1 is a perspective view of a milling cutter tool in accordance with our design;  
FIG. 2 is a top plan view thereof;  
FIG. 3 is a front elevational view thereof;  
FIG. 4 is a left side elevational view thereof;  
FIG. 5 is a rear elevational view thereof;  
FIG. 6 is a right side elevational view thereof; and,  
FIG. 7 is a bottom plan view thereof.

**1 Claim, 7 Drawing Sheets**



(56)

**References Cited**

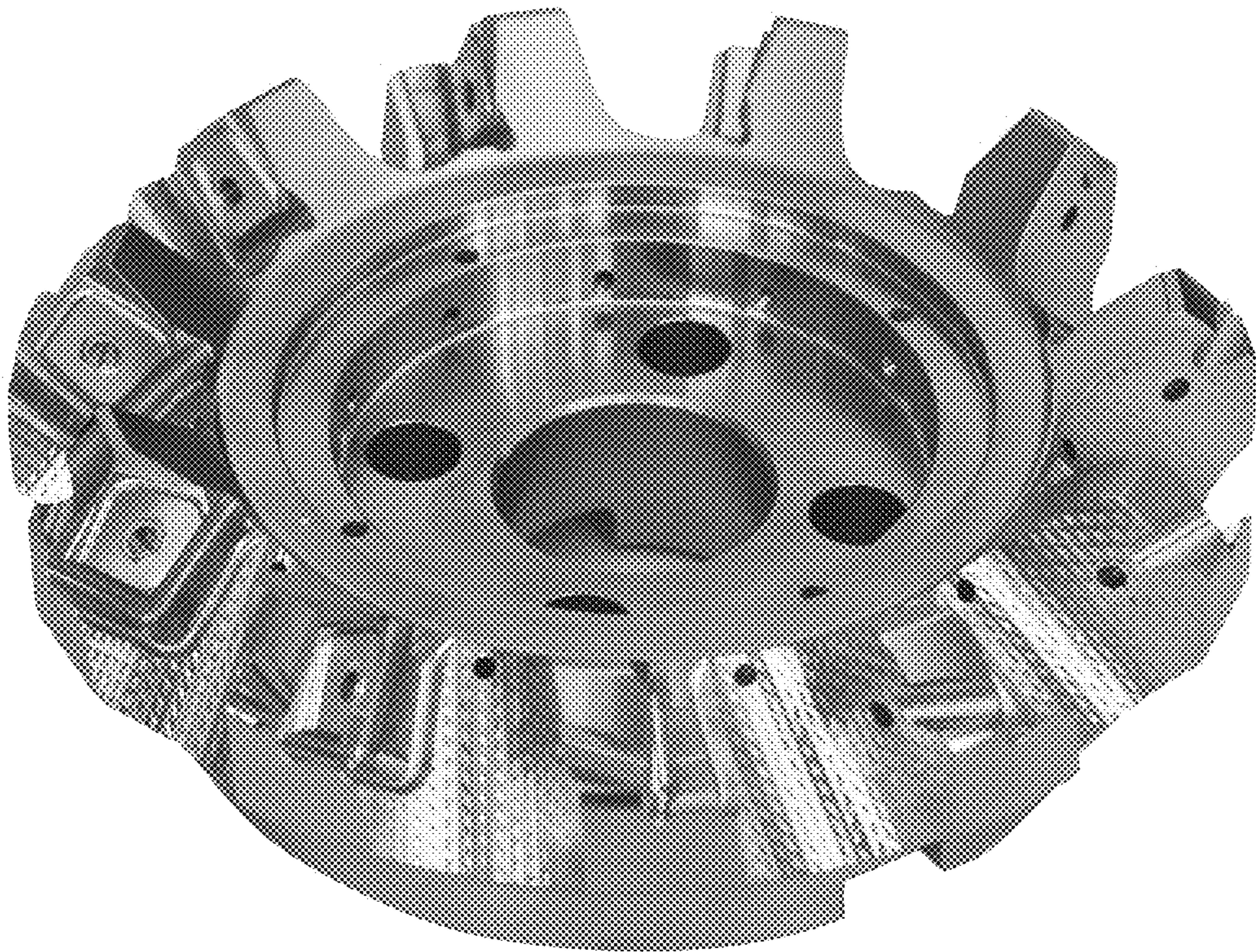
U.S. PATENT DOCUMENTS

D823,909 S 7/2018 Kawakami  
D832,319 S 10/2018 Muthuswamy  
D851,145 S 6/2019 Davis  
D856,386 S 8/2019 Banjo  
D857,768 S 8/2019 Rhode  
D862,542 S 10/2019 Maeda  
D863,382 S 10/2019 Abe  
D879,168 S 3/2020 Zaho  
D896,850 S 9/2020 Stark  
D926,239 S \* 7/2021 Flodman ..... D15/139  
D926,846 S \* 8/2021 Flodman ..... D15/139  
D926,847 S \* 8/2021 Flodman ..... D15/139  
D940,213 S \* 1/2022 Flodman ..... D15/139  
D948,584 S \* 4/2022 Flodman ..... D15/139  
D949,939 S \* 4/2022 Rhode ..... D15/139  
D953,390 S \* 5/2022 Karlsson ..... D15/139  
D953,392 S \* 5/2022 Karlsson ..... D15/139  
2007/0231088 A1 10/2007 Waggle et al.

OTHER PUBLICATIONS

SECO, 6 Hard Milling Tips, Secotools.com, 2 pages, Jan. 1, 2018.  
SECO, Exclusive Mold & Die Event, 1 page, 2018.

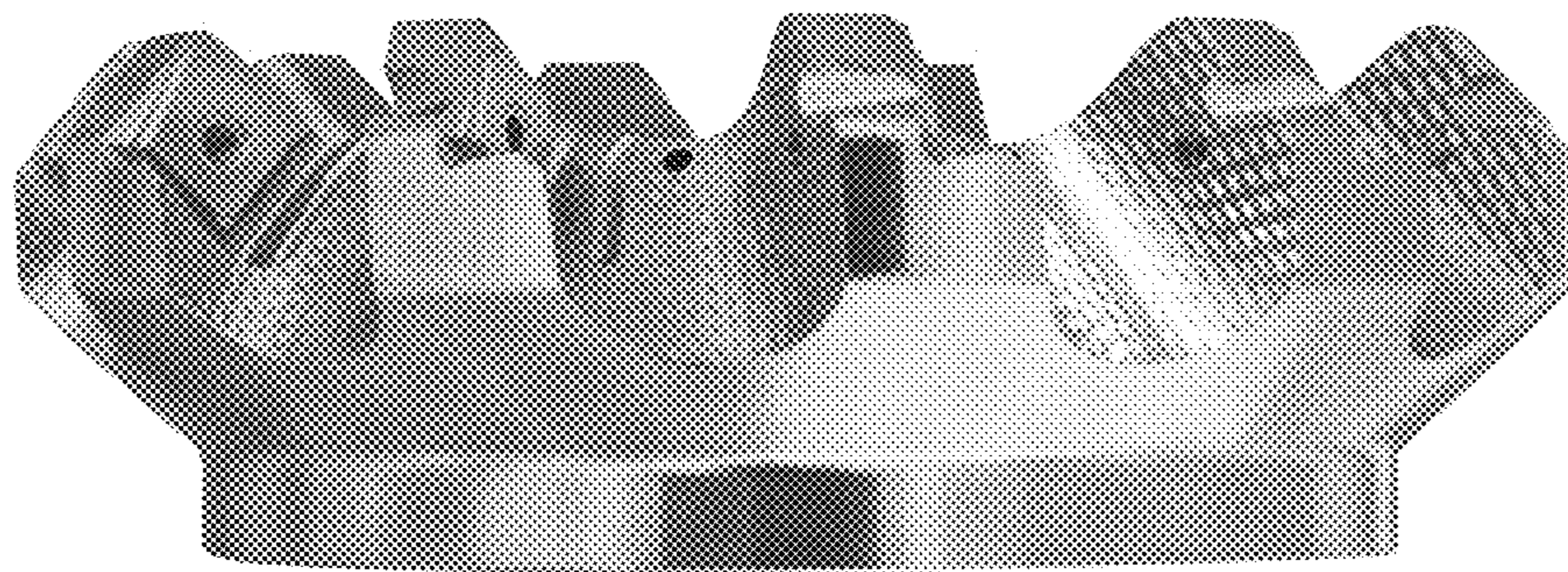
\* cited by examiner



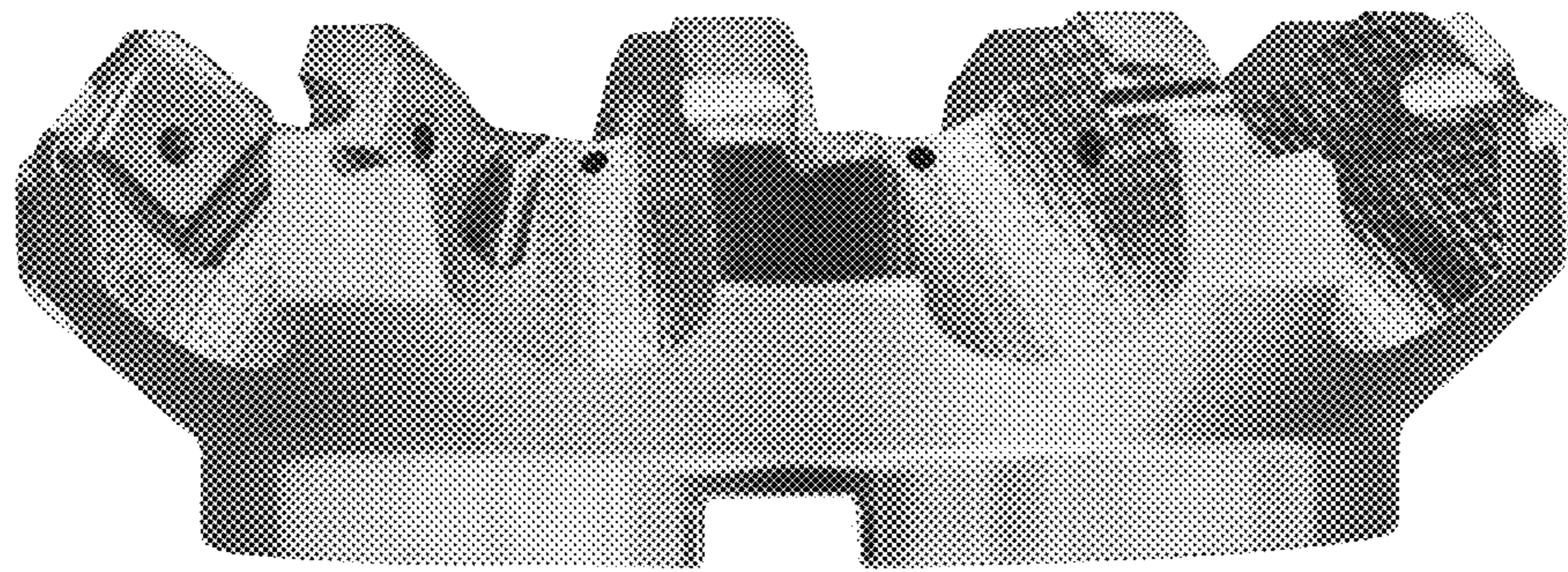
*Fig. 1*



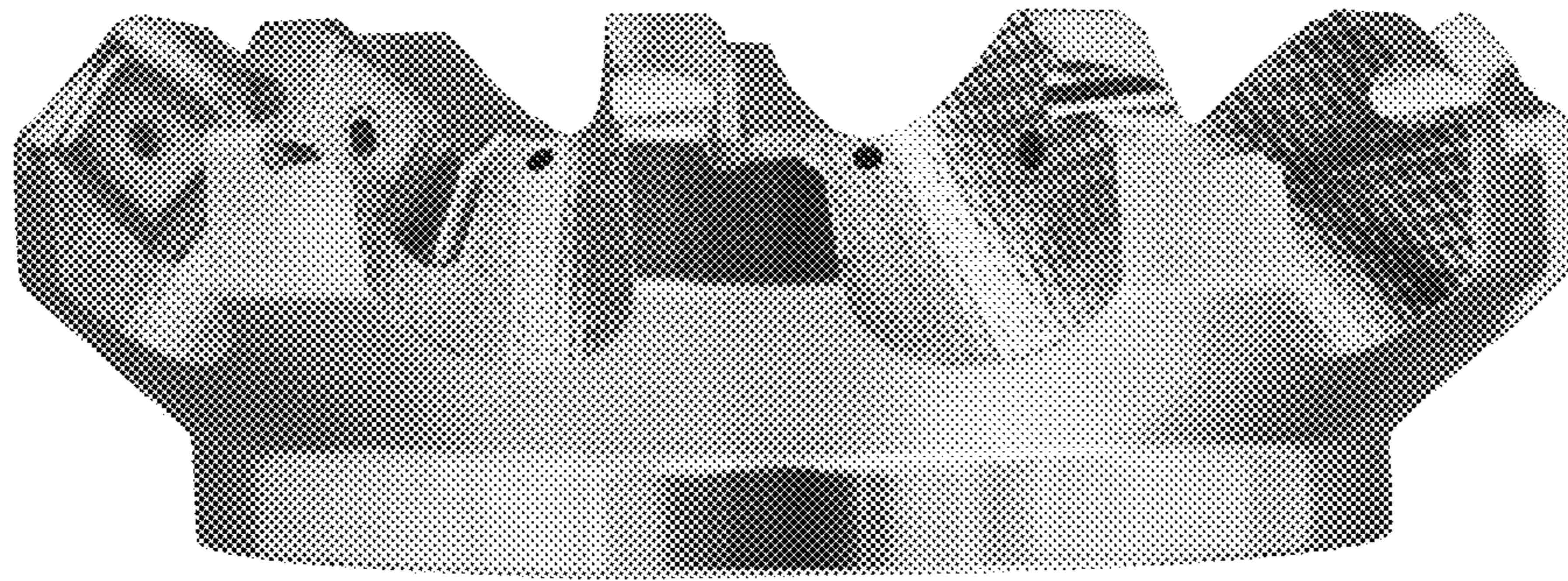
*Fig. 2*



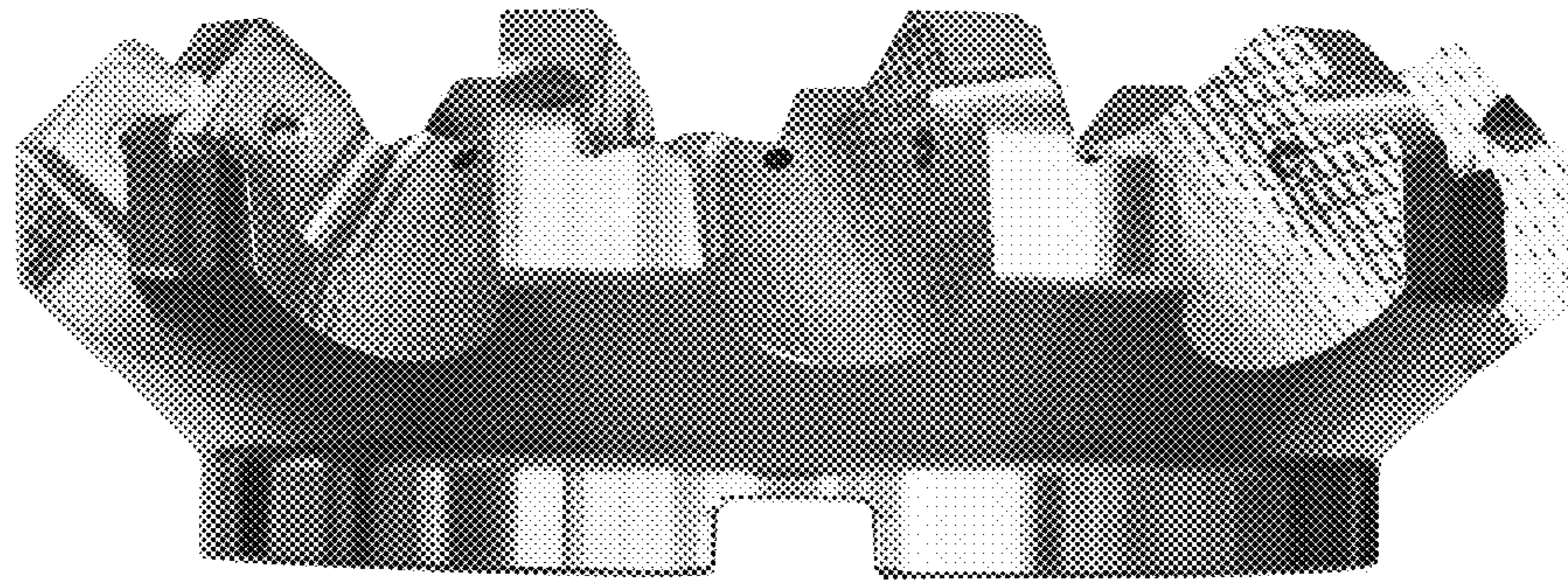
*Fig. 3*



*Fig. 4*

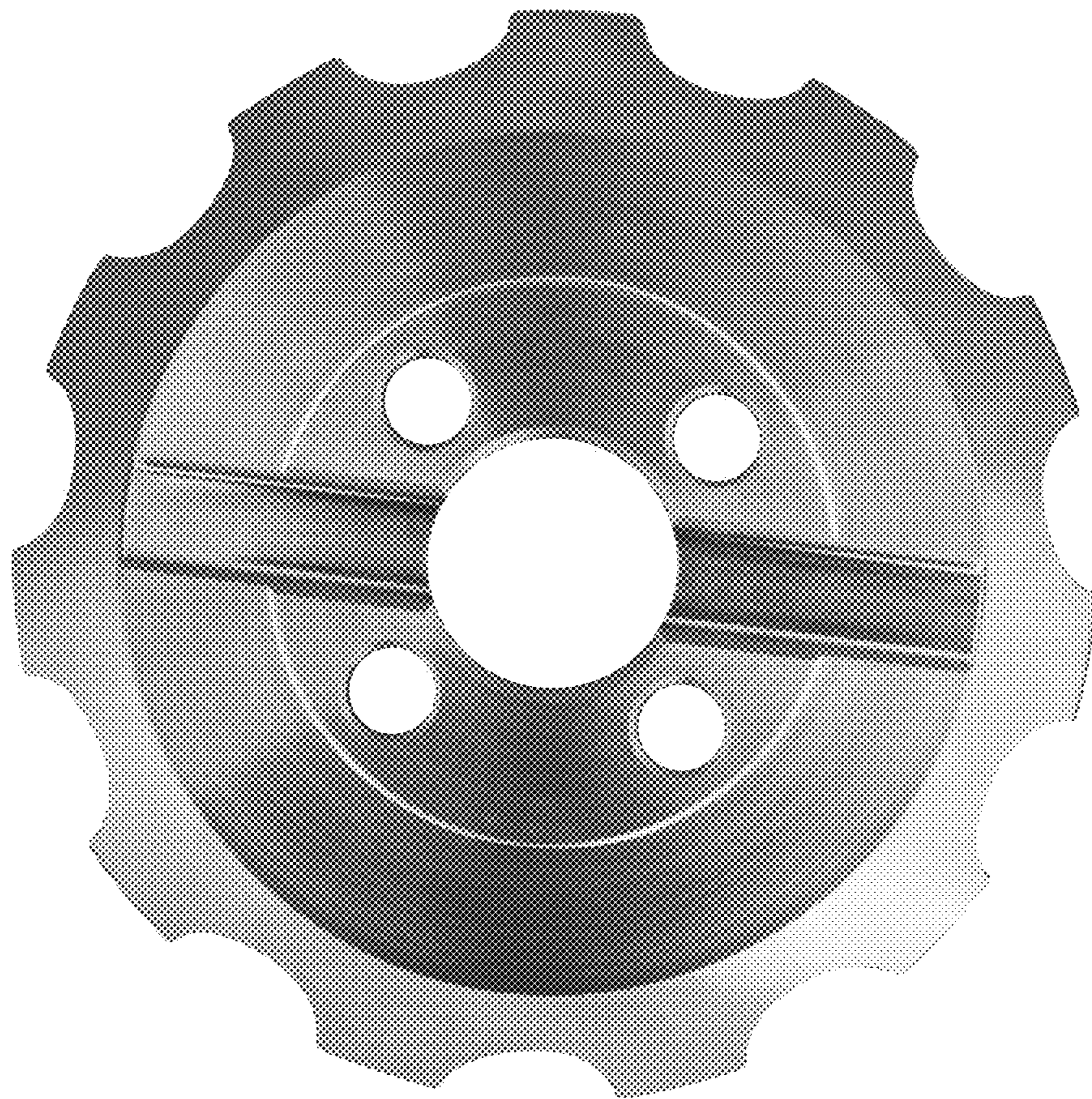


*Fig. 5*



*Fig. 6*





*Fig. 7*