



US00D968487S

(12) **United States Design Patent** (10) **Patent No.:** **US D968,487 S**  
**Flodman et al.** (45) **Date of Patent:** **\*\* Nov. 1, 2022**

(54) **MILLING CUTTER TOOL**

43/108; E21B 47/00; E21B 47/09; E21B 47/12; E21B 47/122; E21B 4/02; E21B 7/061; E21B 7/068

(71) Applicant: **SECO TOOLS AB**, Fagersta (SE)

See application file for complete search history.

(72) Inventors: **Rikard Flodman**, Arboga (SE); **Kent Karlsson**, Fellingsbro (SE)

(56) **References Cited**

(73) Assignee: **SECO TOOLS AB**, Fagersta (SE)

U.S. PATENT DOCUMENTS

(\*\*) Term: **15 Years**

|              |         |             |         |
|--------------|---------|-------------|---------|
| D250,388 S   | 11/1978 | Rantanen    |         |
| D624,569 S * | 9/2010  | Norling     | D15/139 |
| D635,599 S   | 4/2011  | Furseth     |         |
| D660,888 S * | 5/2012  | Piliguian   | D15/126 |
| D768,742 S   | 10/2016 | Charbonneau |         |
| D772,963 S * | 11/2016 | Nam         | D15/139 |
| D812,115 S   | 3/2018  | MacLennan   |         |

(21) Appl. No.: **29/774,663**

(22) Filed: **Mar. 18, 2021**

(Continued)

**Related U.S. Application Data**

(62) Division of application No. 29/681,682, filed on Feb. 27, 2019, now Pat. No. Des. 926,239.

OTHER PUBLICATIONS

(30) **Foreign Application Priority Data**

Seco Tools Previews and IMTS Product and Service Intros, <https://www.moldmakingtechnology.com/news/seco-tools-previews-imts-product-and-service-intros>, 3 pages, Aug. 8, 2018.

|               |      |                |
|---------------|------|----------------|
| Aug. 29, 2018 | (EM) | 005623030-0001 |
| Aug. 29, 2018 | (EM) | 005623030-0002 |
| Aug. 29, 2018 | (EM) | 005623030-0003 |
| Aug. 29, 2018 | (EM) | 005623030-0004 |
| Aug. 29, 2018 | (EM) | 005623030-0005 |
| Aug. 29, 2018 | (EM) | 005623030-0006 |

(Continued)

*Primary Examiner* — Khawaja Anwar

(51) **LOC (13) Cl.** ..... **15-03**

(74) *Attorney, Agent, or Firm* — Volpe Koenig

(52) **U.S. Cl.**  
USPC ..... **D15/139**

(57) **CLAIM**

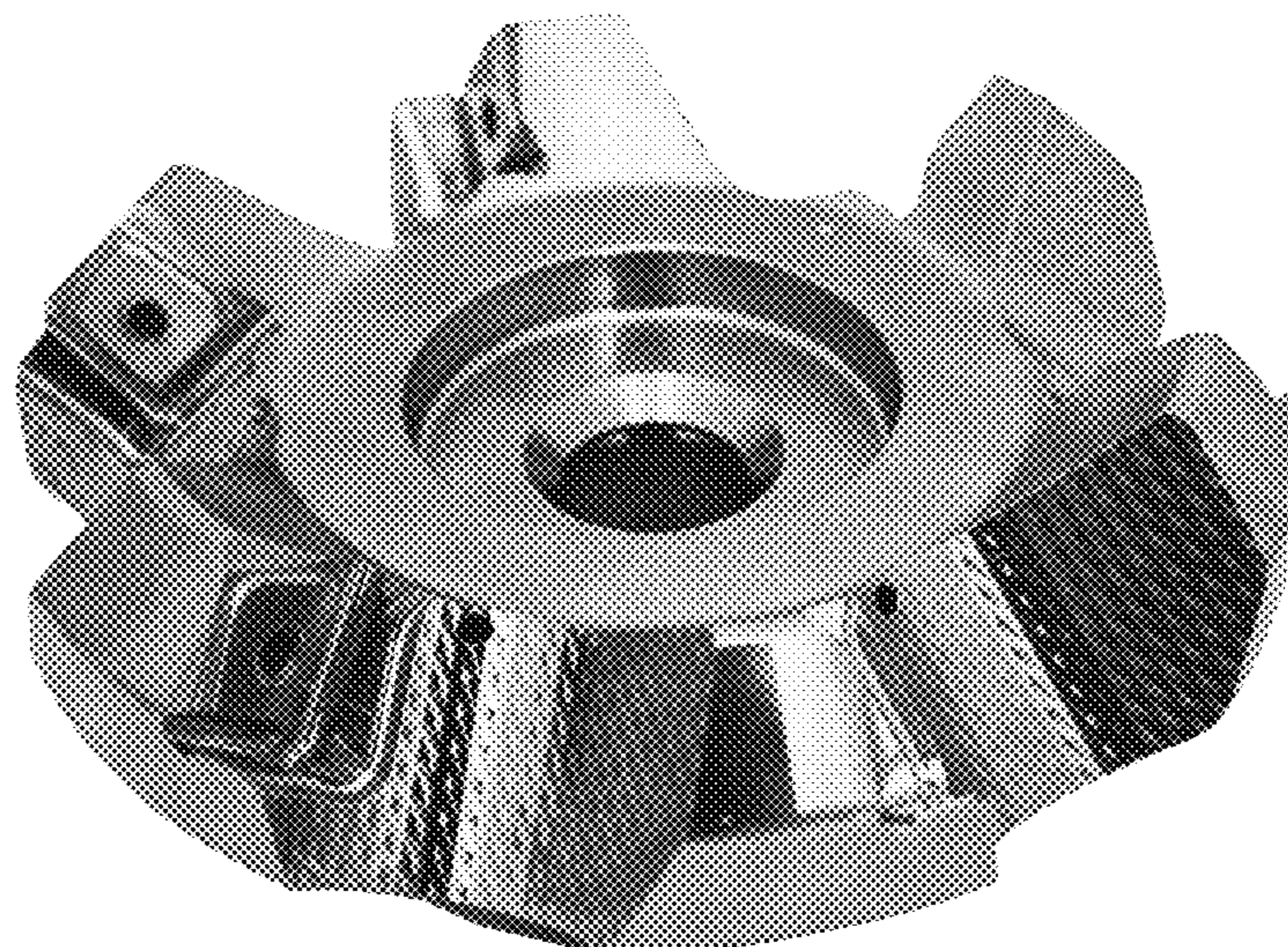
The ornamental design for a milling cutter tool, as shown and described.

(58) **Field of Classification Search**  
USPC ..... D15/128, 131, 138, 139, 140  
CPC ..... E21B 33/1208; E21B 23/00; E21B 10/00; E21B 10/42; E21B 10/54; E21B 10/55; E21B 10/602; E21B 17/00; E21B 17/023; E21B 17/06; E21B 19/14; E21B 19/155; E21B 21/103; E21B 23/02; E21B 23/14; E21B 29/00; E21B 29/005; E21B 29/02; E21B 29/06; E21B 31/107; E21B 31/113; E21B 31/12; E21B 33/12; E21B 33/128; E21B 33/129; E21B 33/1293; E21B 33/134; E21B 34/12; E21B 43/08; E21B

**DESCRIPTION**

FIG. 1 is a perspective view of a milling cutter tool in accordance with our design;  
FIG. 2 is a top plan view thereof;  
FIG. 3 is a front elevational view thereof;  
FIG. 4 is a left side elevational view thereof;  
FIG. 5 is a rear elevational view thereof;  
FIG. 6 is a right side elevational view thereof; and,  
FIG. 7 is a bottom plan view thereof.

**1 Claim, 7 Drawing Sheets**



(56)

**References Cited**

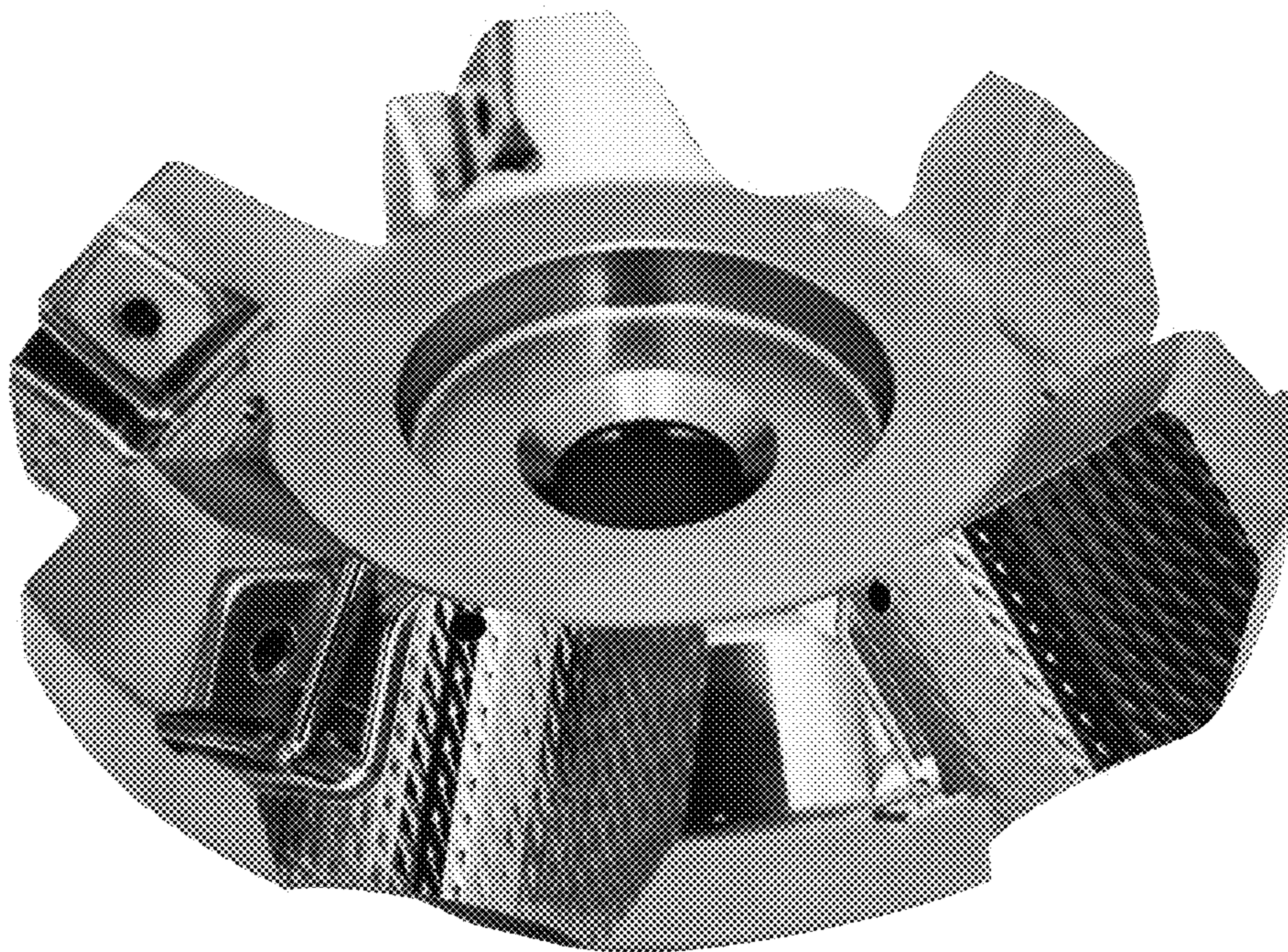
U.S. PATENT DOCUMENTS

|              |     |         |                |         |
|--------------|-----|---------|----------------|---------|
| D823,909     | S   | 7/2018  | Kawakami       |         |
| D832,319     | S   | 10/2018 | Muthuswamy     |         |
| D851,145     | S   | 6/2019  | Davis          |         |
| D856,386     | S   | 8/2019  | Banjo          |         |
| D857,768     | S   | 8/2019  | Rhode          |         |
| D862,542     | S   | 10/2019 | Maeda          |         |
| D863,382     | S   | 10/2019 | Abe            |         |
| D879,168     | S   | 3/2020  | Zaho           |         |
| D896,850     | S   | 9/2020  | Stark          |         |
| D926,239     | S * | 7/2021  | Flodman .....  | D15/139 |
| D926,846     | S * | 8/2021  | Flodman .....  | D15/139 |
| D926,847     | S * | 8/2021  | Flodman .....  | D15/139 |
| D940,213     | S * | 1/2022  | Flodman .....  | D15/139 |
| D948,584     | S * | 4/2022  | Flodman .....  | D15/139 |
| D949,939     | S * | 4/2022  | Rhode .....    | D15/139 |
| D953,390     | S * | 5/2022  | Karlsson ..... | D15/139 |
| D953,392     | S * | 5/2022  | Karlsson ..... | D15/139 |
| 2007/0231088 | A1  | 10/2007 | Waggle et al.  |         |

OTHER PUBLICATIONS

Seco, 6 Hard Milling Tips, Secotools.com, 2 pages, Jan. 1, 2018.  
Seco, Exclusive Mold & Die Event, 1 page, 2018.

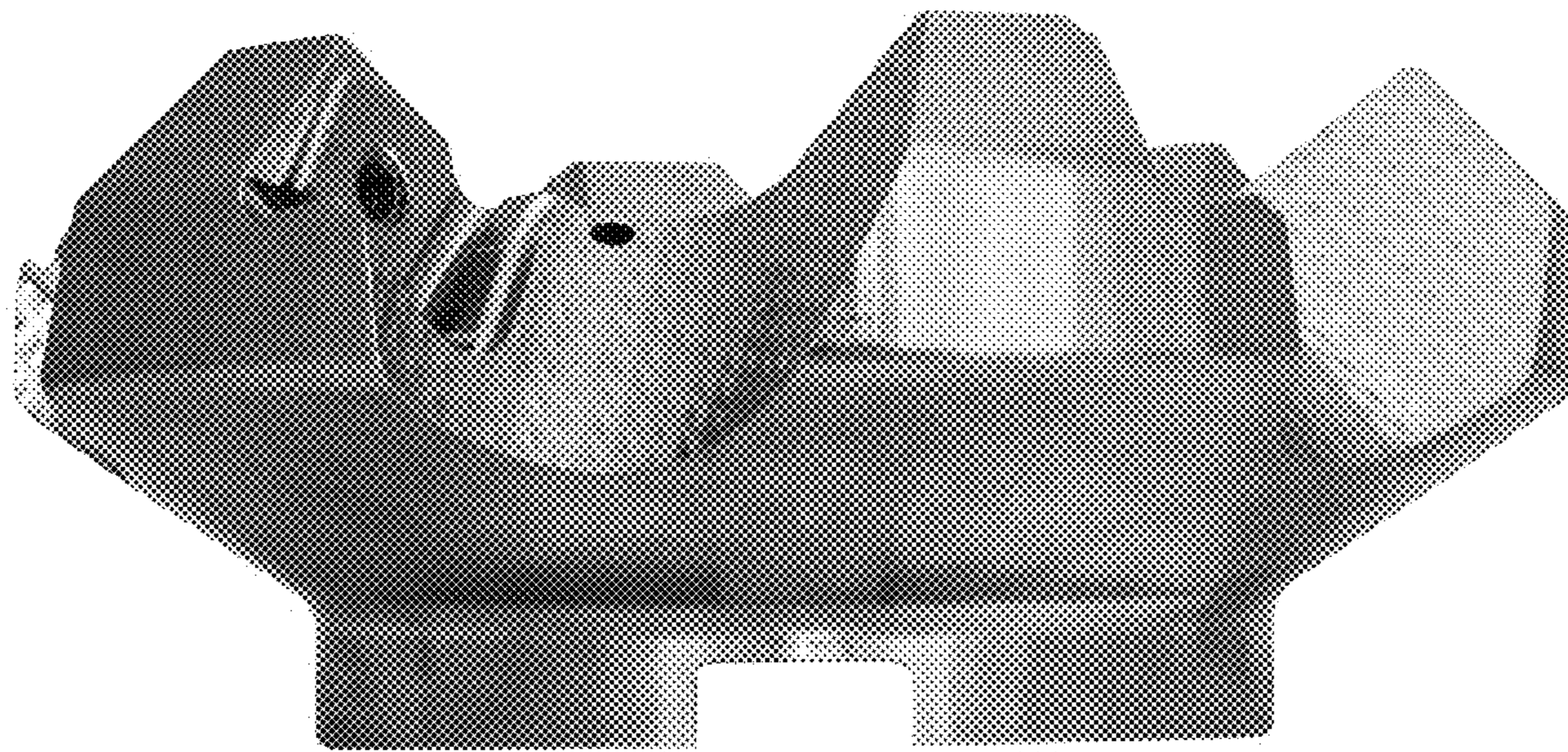
\* cited by examiner



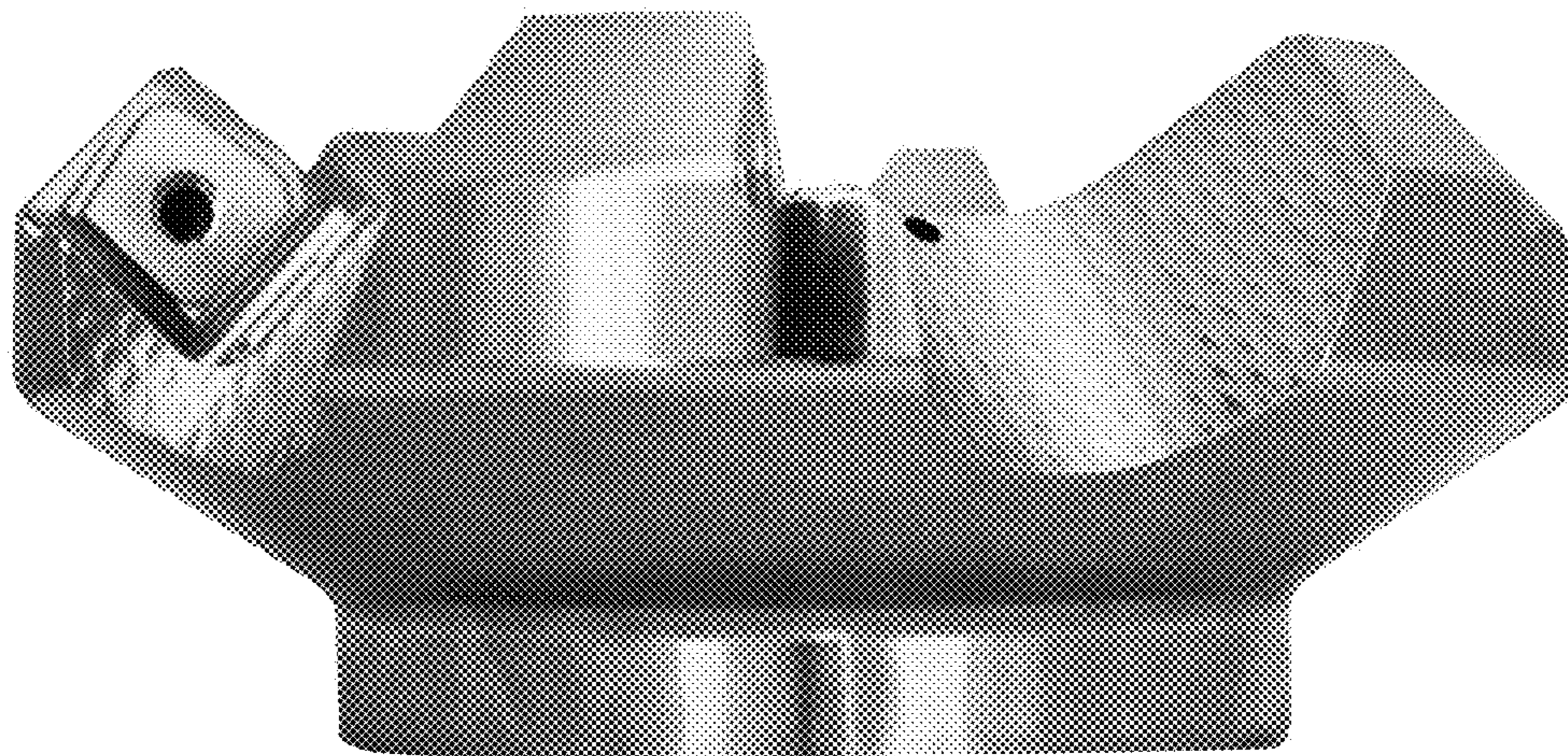
*Fig. 1*



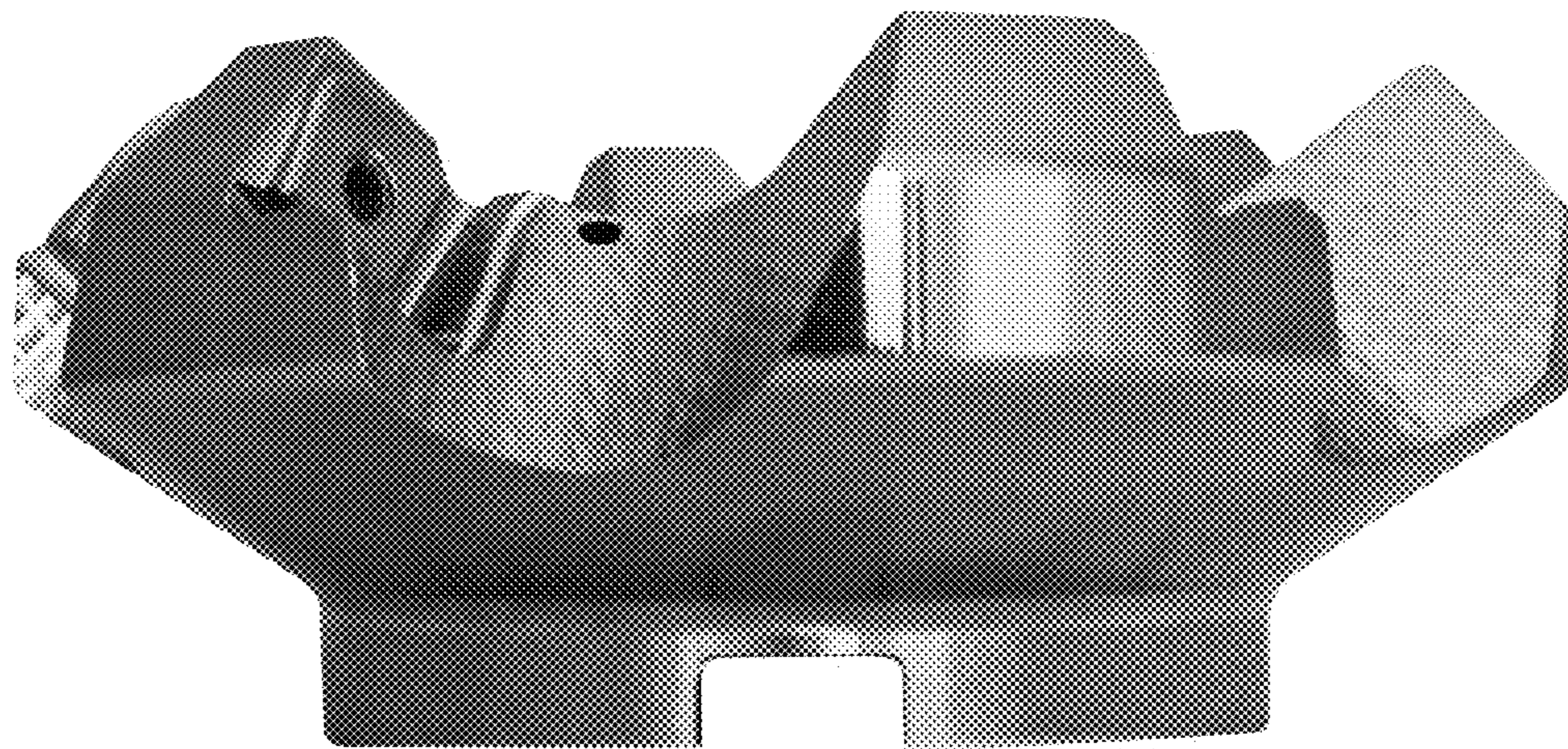
*Fig. 2*



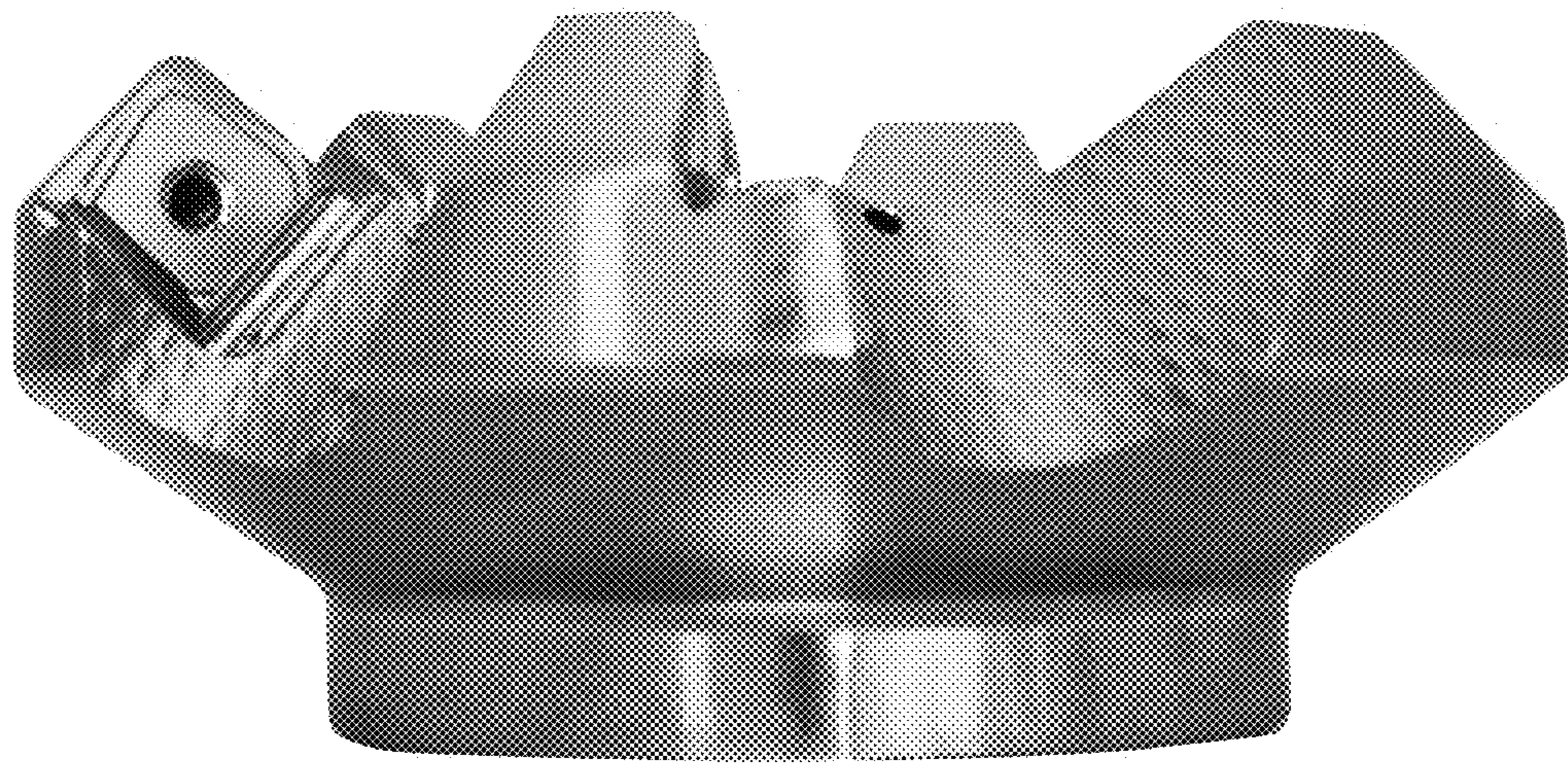
*Fig. 3*



*Fig. 4*

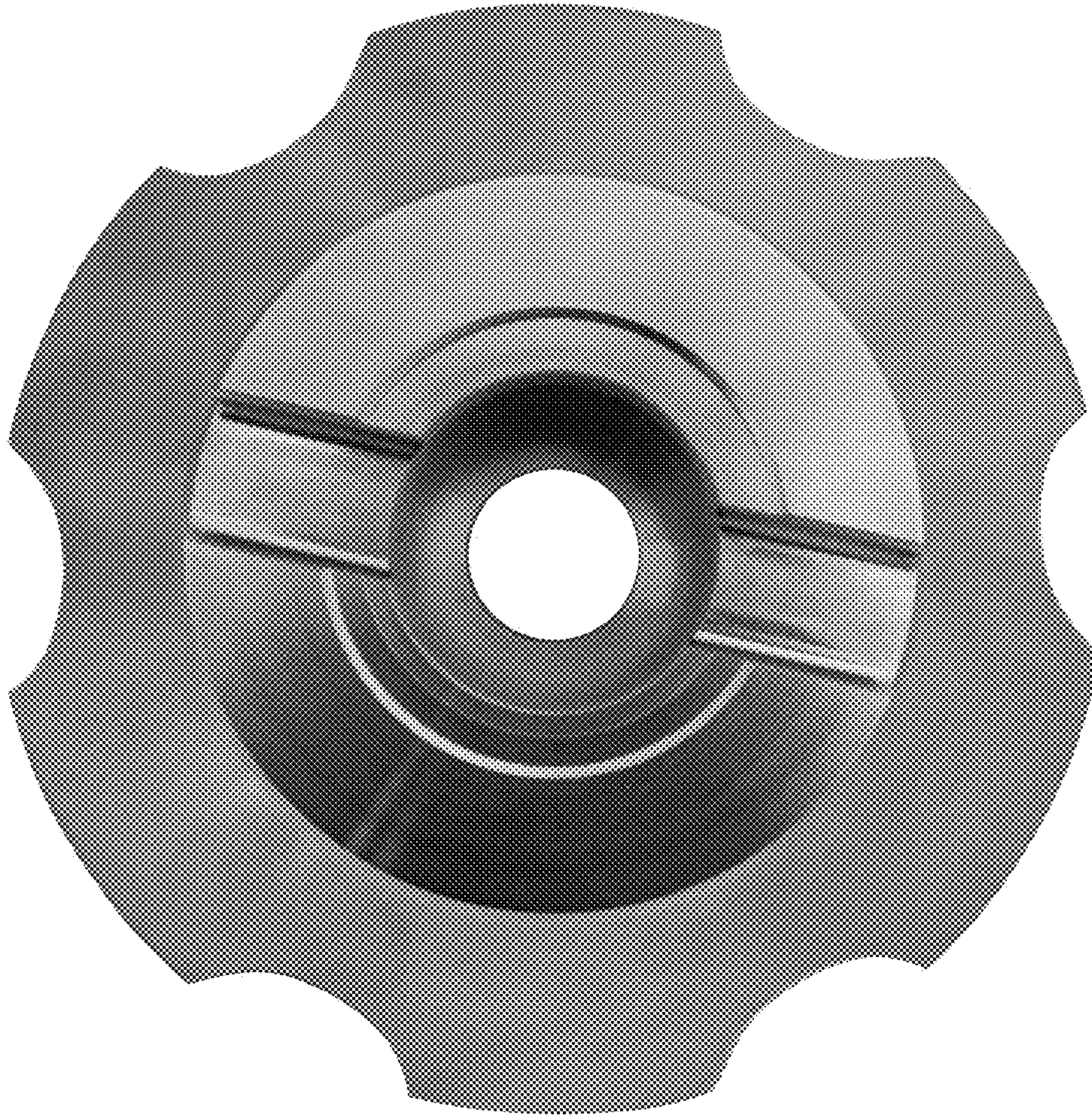


*Fig. 5*



*Fig. 6*





*Fig. 7*