



US00D968486S

(12) **United States Design Patent**
Fujimoto et al.

(10) **Patent No.:** **US D968,486 S**

(45) **Date of Patent:** **** Nov. 1, 2022**

(54) **MACHINING SAMPLE MODEL FOR MACHINE TOOLS**

(71) Applicant: **FANUC CORPORATION**, Yamanashi (JP)

(72) Inventors: **Hiroyuki Fujimoto**, Yamanashi (JP); **Wei Zhao**, Yamanashi (JP); **Nobuaki Aizawa**, Yamanashi (JP)

(73) Assignee: **FANUC CORPORATION**, Yamanashi (JP)

(**) Term: **15 Years**

(21) Appl. No.: **29/777,169**

(22) Filed: **Apr. 2, 2021**

(30) **Foreign Application Priority Data**

Oct. 5, 2020 (JP) 2020-021313 D

(51) **LOC (13) Cl.** **15-09**

(52) **U.S. Cl.**
USPC **D15/138**

(58) **Field of Classification Search**
USPC D8/70, 71; D15/122, 126, 131, 132, 136, D15/138, 139, 140
CPC ... B24D 3/02; B24D 3/06; B24D 3/20; B24D 3/342
See application file for complete search history.

(56) **References Cited**

U.S. PATENT DOCUMENTS

5,145,295 A * 9/1992 Satran B23C 5/2213
D15/139
D340,464 S * 10/1993 Markusson D15/139

D472,567 S * 4/2003 Katbi D15/139
6,968,750 B2 * 11/2005 Wilson A24C 5/34
73/863.91
D522,545 S * 6/2006 Niebauer D15/139
D748,703 S * 2/2016 Nam D15/139
D805,566 S * 12/2017 Oh B25C 5/06
D15/139
10,062,546 B2 * 8/2018 Lee H01J 37/3056
D853,456 S * 7/2019 Aizawa D15/138
2005/0214080 A1 * 9/2005 Satran B23C 5/202
407/113

* cited by examiner

Primary Examiner — Michael C Stout

Assistant Examiner — Fritzgerald L Butac

(74) *Attorney, Agent, or Firm* — Banner & Witcoff, Ltd.

(57) **CLAIM**

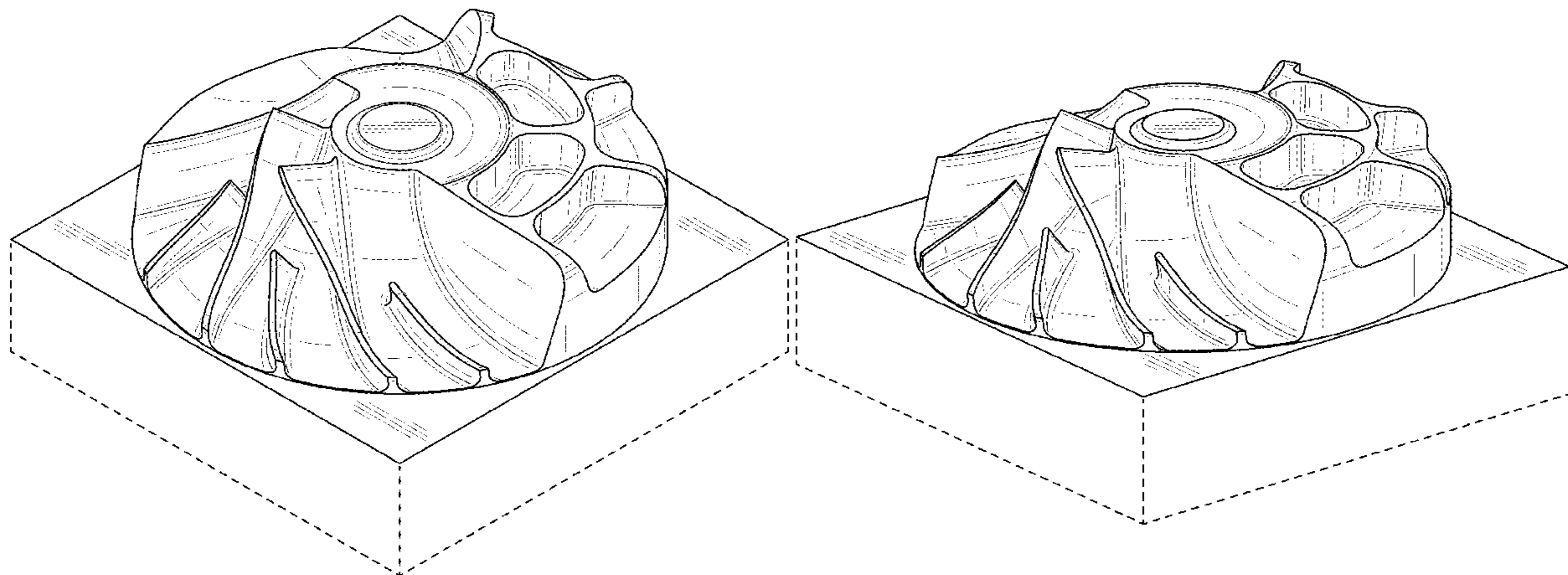
The ornamental design for a machining sample model of machine tools, as shown and described.

DESCRIPTION

FIG. 1 is a front perspective view of a machining sample model of machine tools showing our new design; FIG. 2 is a rear perspective view thereof; FIG. 3 is a top plan view thereof; FIG. 4 is a rear view thereof; FIG. 5 is a front view thereof; FIG. 6 is a right side view thereof; and, FIG. 7 is a left side view thereof.

The broken lines represent portions of the machining sample model of machine tools which form no part of the claimed design.

1 Claim, 7 Drawing Sheets



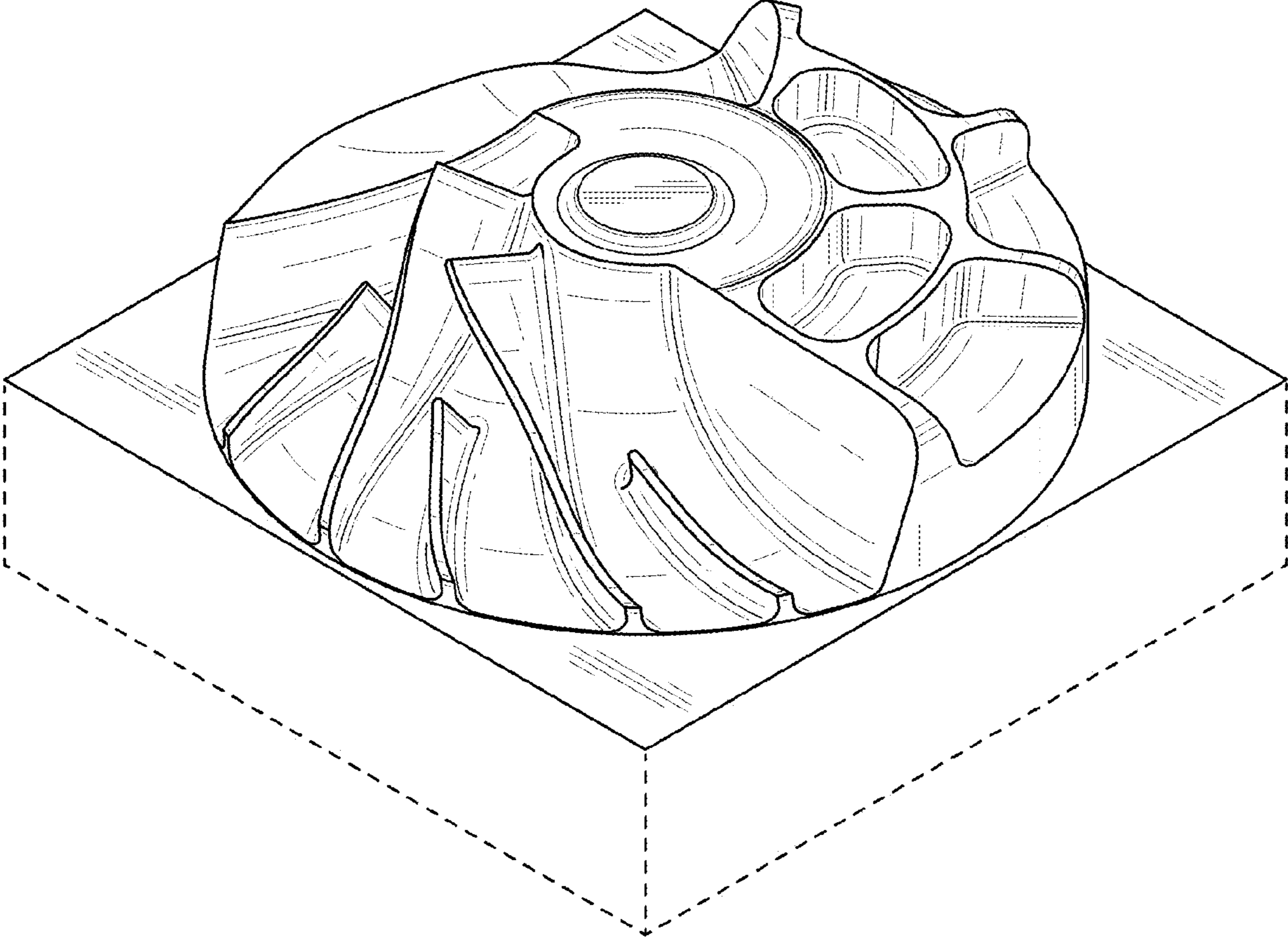


FIG. 1

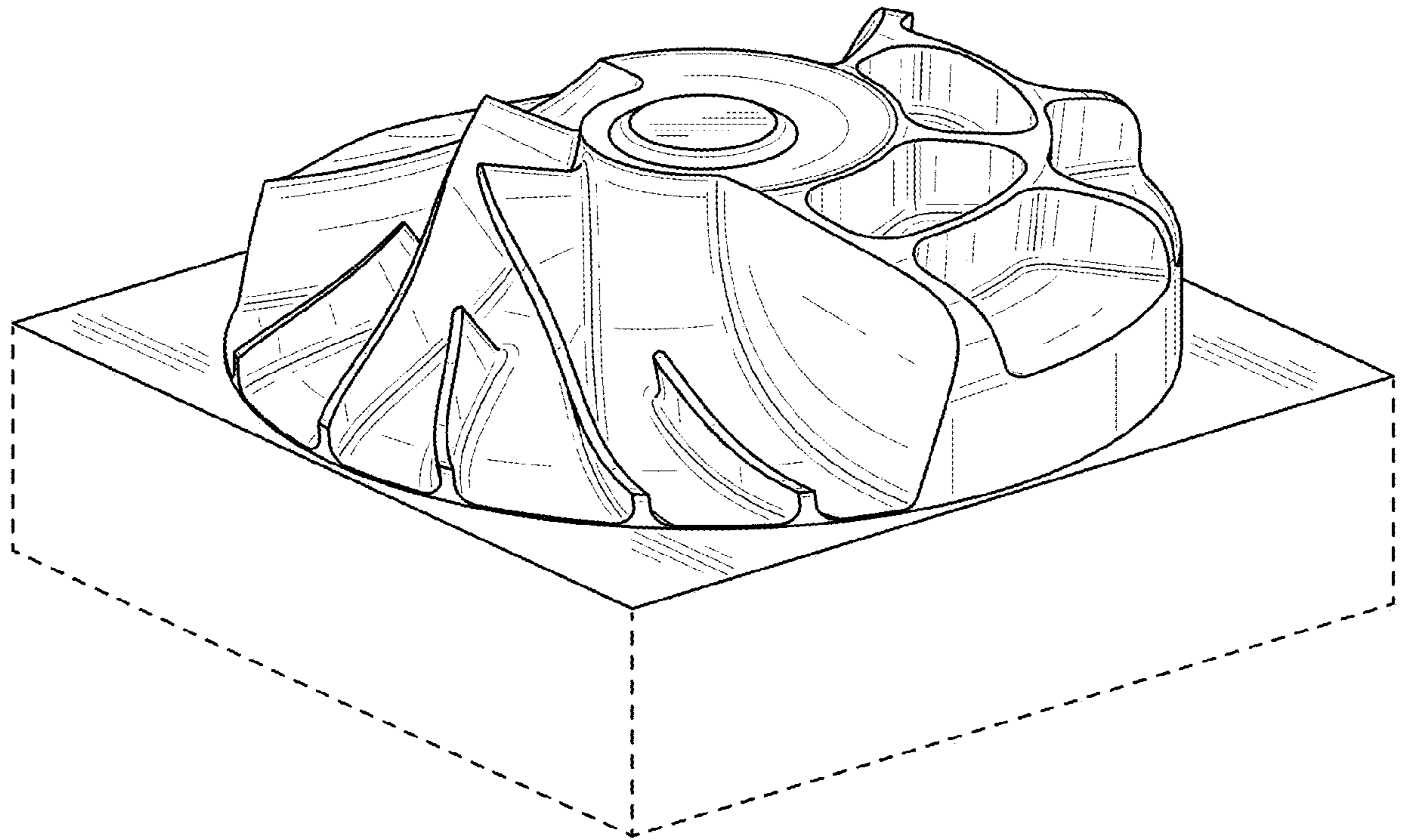


FIG. 2



FIG. 3

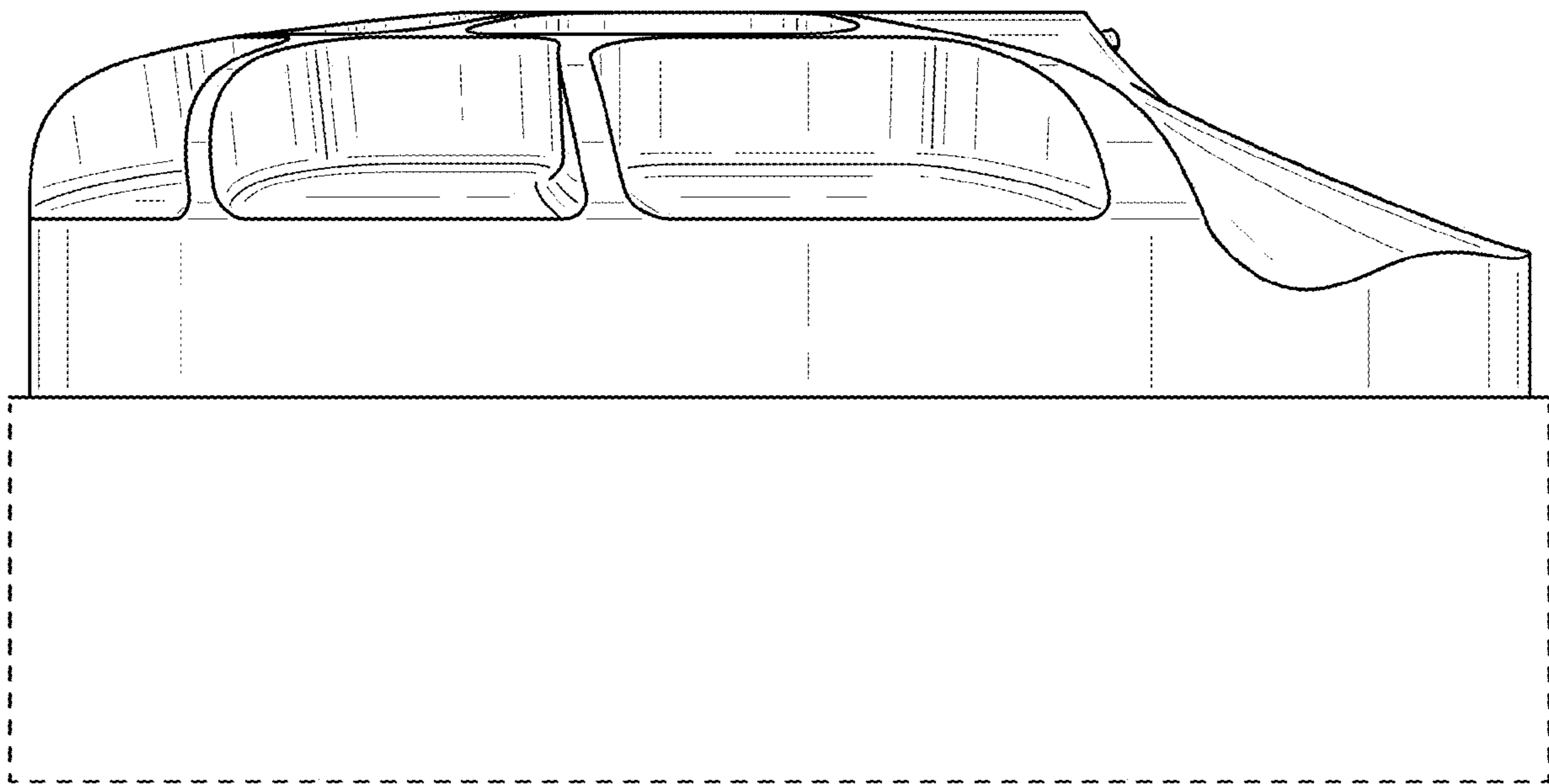


FIG. 4

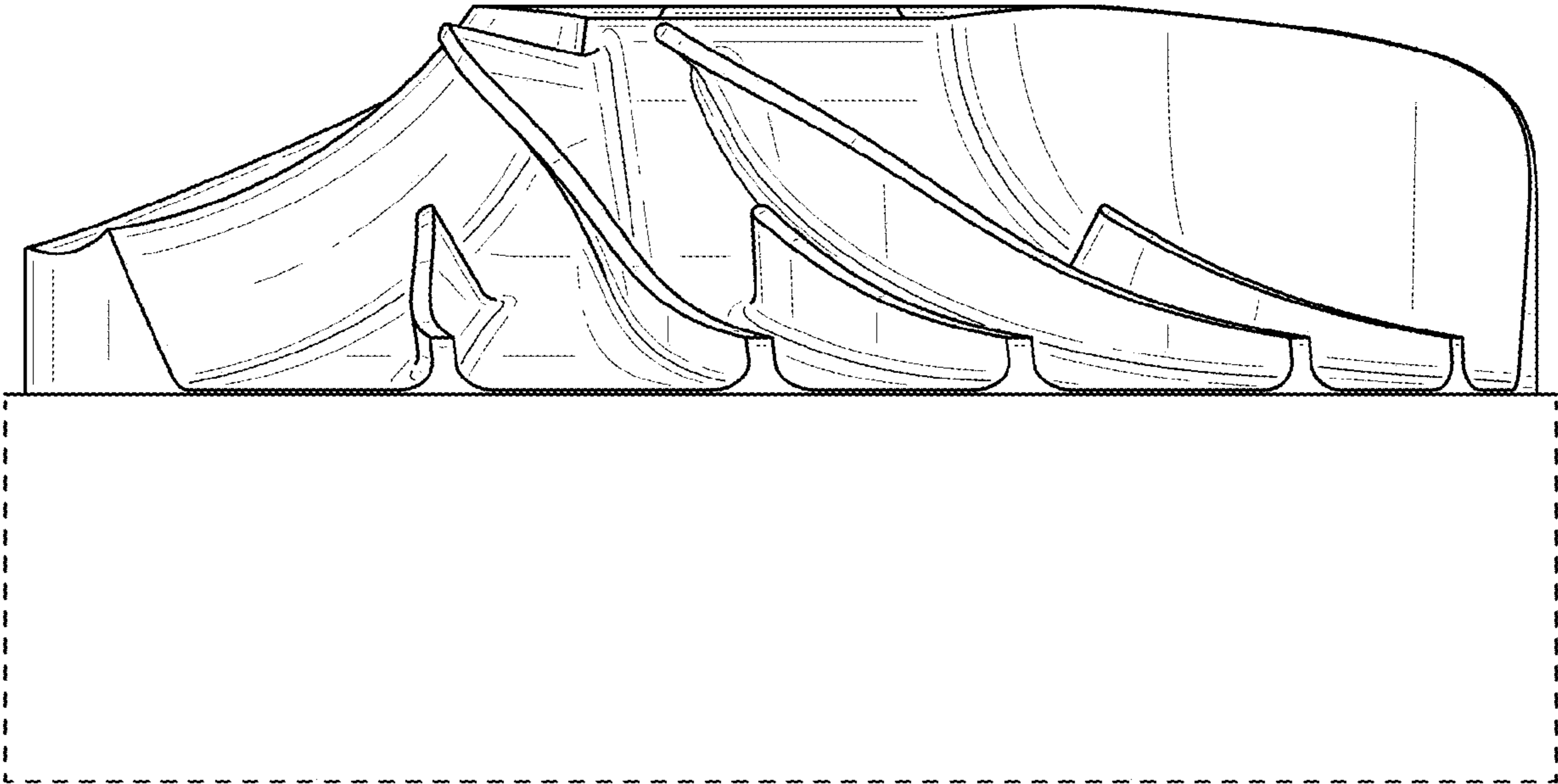


FIG. 5

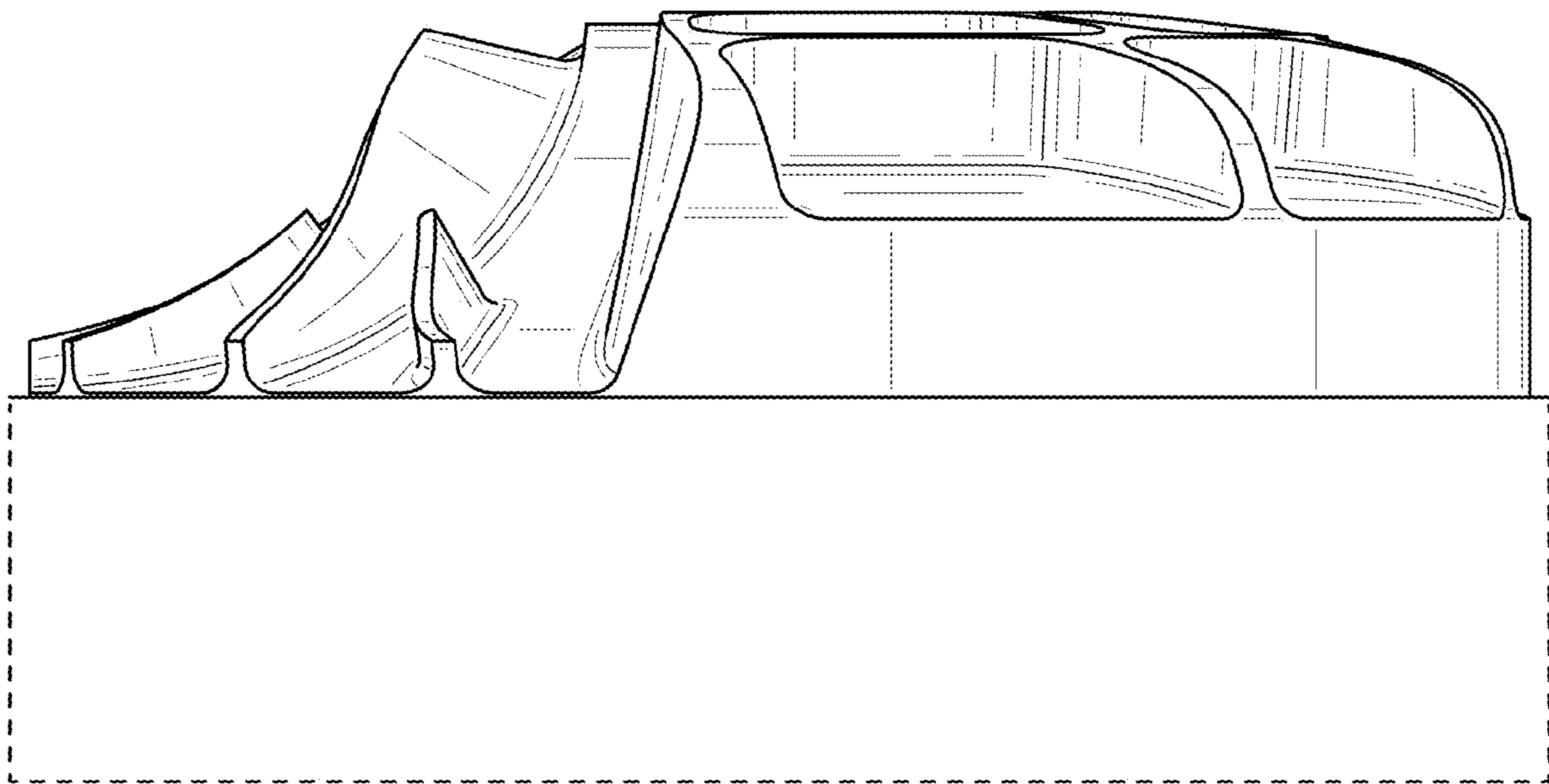


FIG. 6

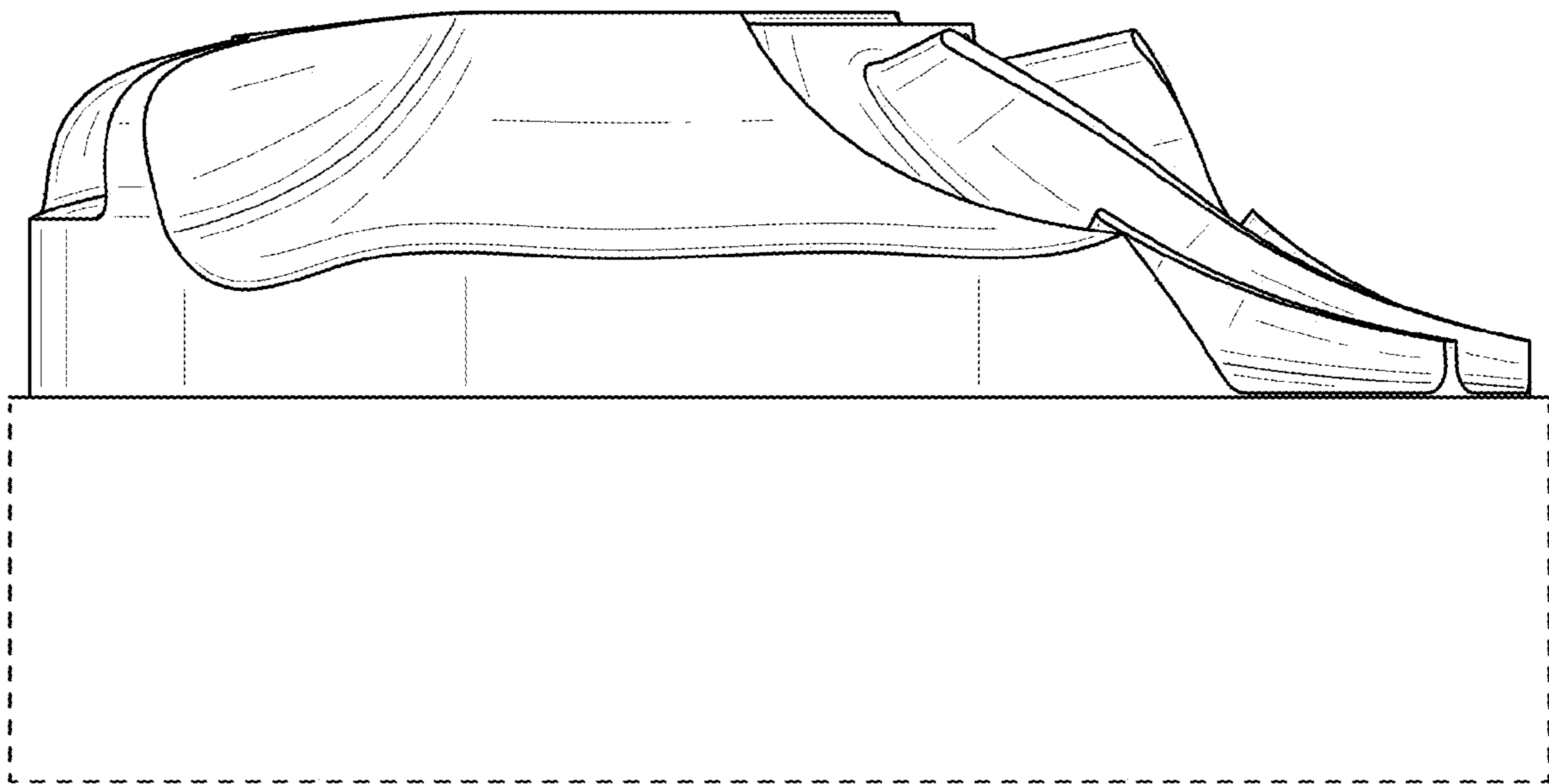


FIG. 7