



US00D968484S

(12) **United States Design Patent**  
**Alon et al.**

(10) **Patent No.:** **US D968,484 S**

(45) **Date of Patent:** **\*\* Nov. 1, 2022**

(54) **PROCESSING INSTRUMENT**  
(71) Applicant: **Berkeley Lights, Inc.**, Emeryville, CA (US)  
(72) Inventors: **Raziel Solomon Alon**, Berkeley, CA (US); **Angel Navas Angeles**, Union City, CA (US); **Ken Huynh**, San Leandro, CA (US); **Christopher C. Shing**, Castro Valley, CA (US); **David Aaron Weisbach**, Berkeley, CA (US)  
(73) Assignee: **BERKELEY LIGHTS, INC.**, Emeryville, CA (US)

6,754,920 B2 \* 6/2004 Fleming ..... A47C 27/001  
5/722  
8,323,900 B2 \* 12/2012 Handique ..... F16K 99/0044  
435/6.12  
D690,744 S \* 10/2013 Koide ..... D15/122  
D694,888 S \* 12/2013 Chung ..... D24/169  
D728,121 S \* 4/2015 Cook ..... D24/216  
D728,125 S \* 4/2015 Trigg ..... D24/232  
D756,913 S \* 5/2016 Esses ..... D13/107  
9,765,389 B2 \* 9/2017 Gubatayao ..... B01L 9/527  
D822,222 S \* 7/2018 Smith ..... D24/216  
D830,210 S \* 10/2018 Ihara ..... D24/216  
D844,471 S \* 4/2019 Stone ..... D24/216  
D887,296 S \* 6/2020 Stone ..... D24/216  
D888,267 S \* 6/2020 Salomon ..... D24/216  
10,900,066 B2 \* 1/2021 Handique ..... C12Q 1/6806  
D914,905 S \* 3/2021 Wade ..... D24/216  
11,023,031 B2 \* 6/2021 Sakai ..... G06F 1/266  
D937,433 S \* 11/2021 Sugie ..... D24/158

(\*\*) Term: **15 Years**

(21) Appl. No.: **29/746,277**

(22) Filed: **Aug. 12, 2020**

(51) **LOC (13) Cl.** ..... **15-09**

(52) **U.S. Cl.**  
USPC ..... **D15/122**

(58) **Field of Classification Search**  
USPC ..... D13/110, 112, 116, 118, 119, 123, 124,  
D13/184; D15/122, 199  
CPC ..... H02M 7/00; G01N 33/5302; G01N  
2035/00306

See application file for complete search history.

(56) **References Cited**

**U.S. PATENT DOCUMENTS**

D228,414 S \* 9/1973 Greenlee ..... D18/57  
D258,909 S \* 4/1981 Bergo ..... D24/169  
5,055,408 A \* 10/1991 Higo ..... G01N 35/026  
422/65  
D338,419 S \* 8/1993 Frenkel ..... D24/232  
D367,534 S \* 2/1996 DiPerna ..... D24/111  
D378,782 S \* 4/1997 LaBarbera ..... D24/231  
D474,279 S \* 5/2003 Mayer ..... D24/231

\* cited by examiner

*Primary Examiner* — Patricia A Palasik

(74) *Attorney, Agent, or Firm* — Norton Rose Fulbright  
US LLP

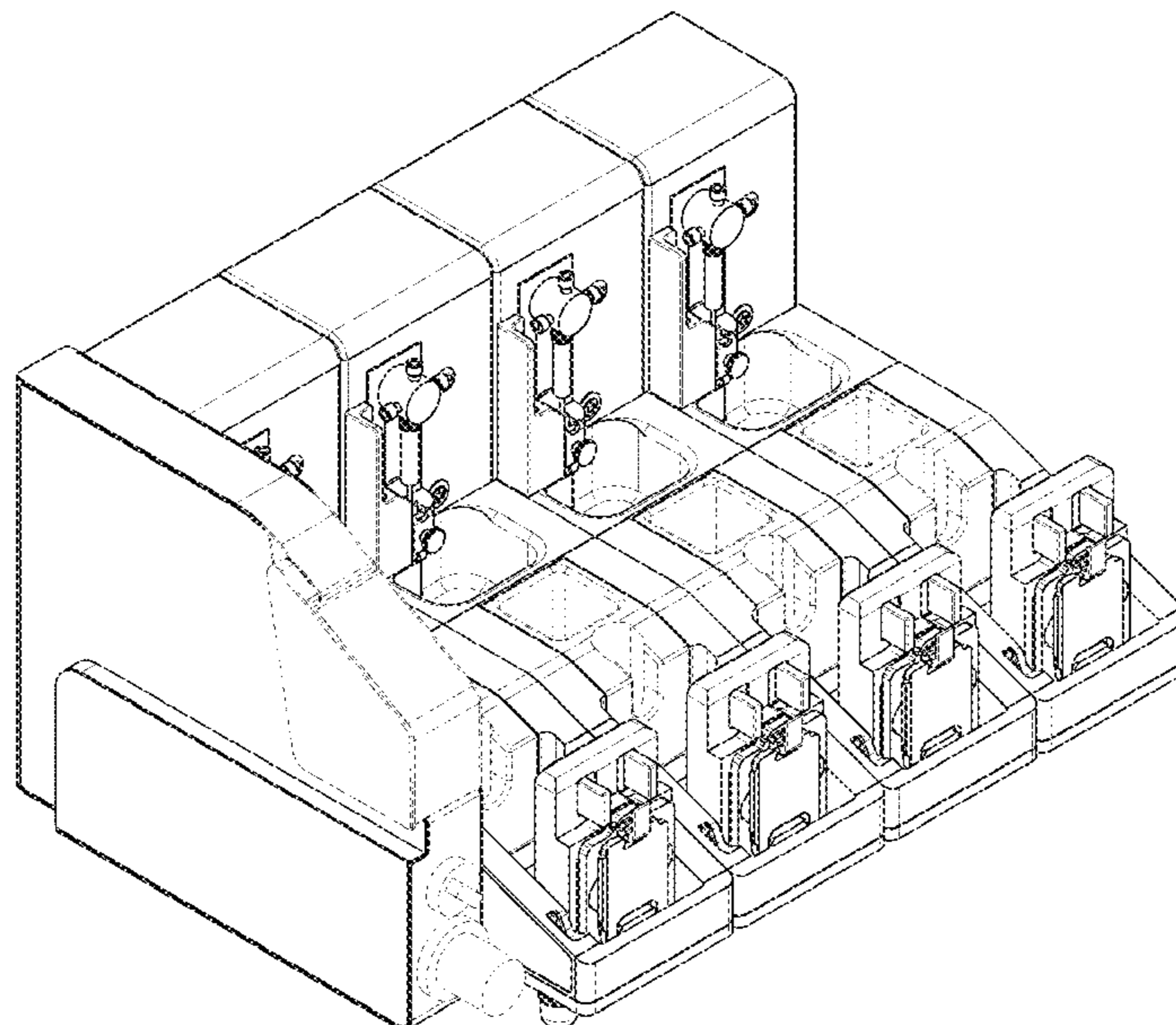
(57) **CLAIM**

The ornamental design for a processing instrument, as shown and described.

**DESCRIPTION**

FIG. 1 is a front perspective view of a processing instrument showing our new design;  
FIG. 2 is a front view of the processing instrument;  
FIG. 3 is a rear view of the processing instrument;  
FIG. 4 is a right side view of the processing instrument;  
FIG. 5 is a left side view of the processing instrument;  
FIG. 6 is a top view of the processing instrument; and,  
FIG. 7 is a bottom view of the processing instrument.  
The dashed lines in FIGS. 1-7 indicate unclaimed portions of the disclosed processing instrument.

**1 Claim, 7 Drawing Sheets**



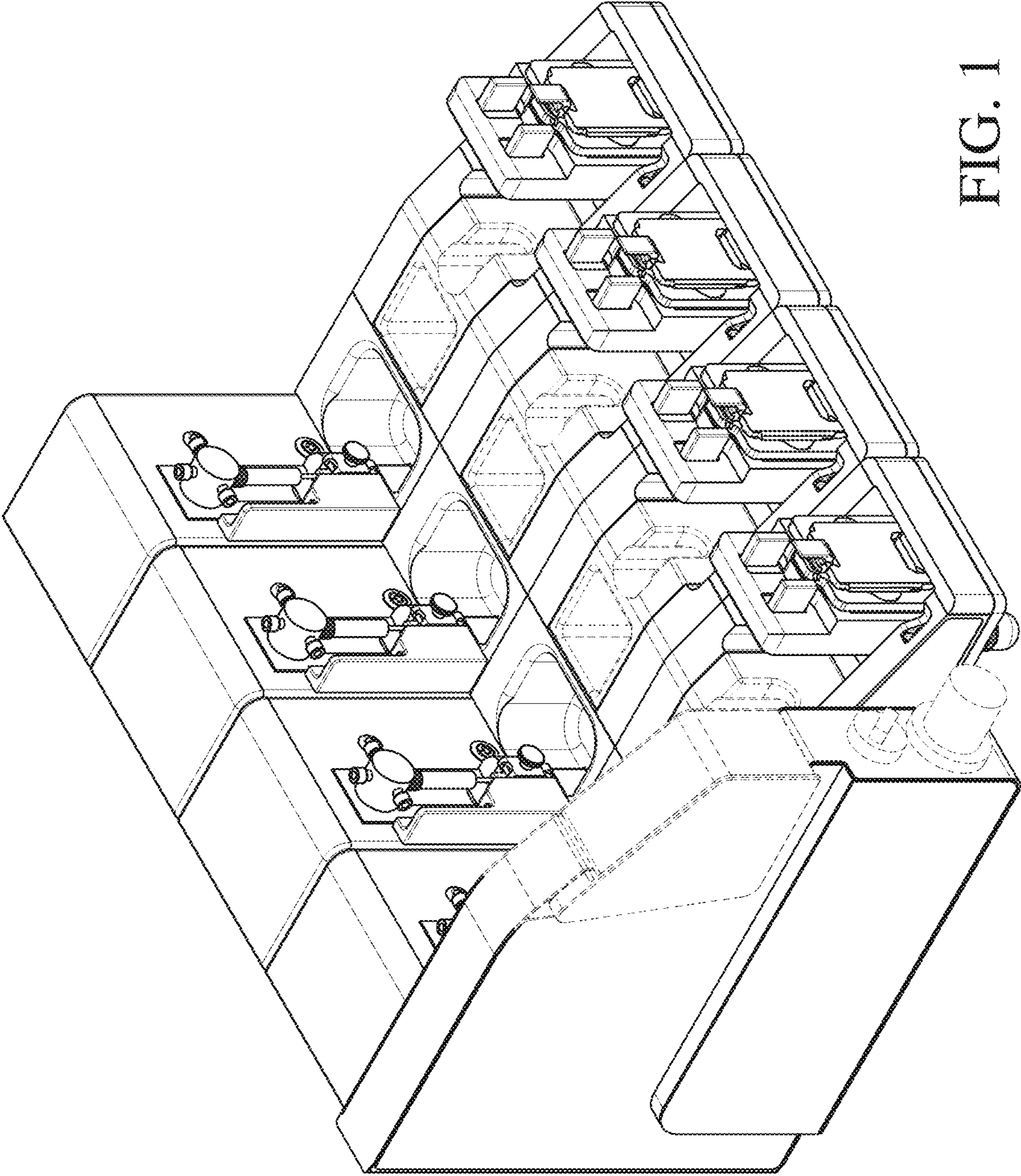


FIG. 1



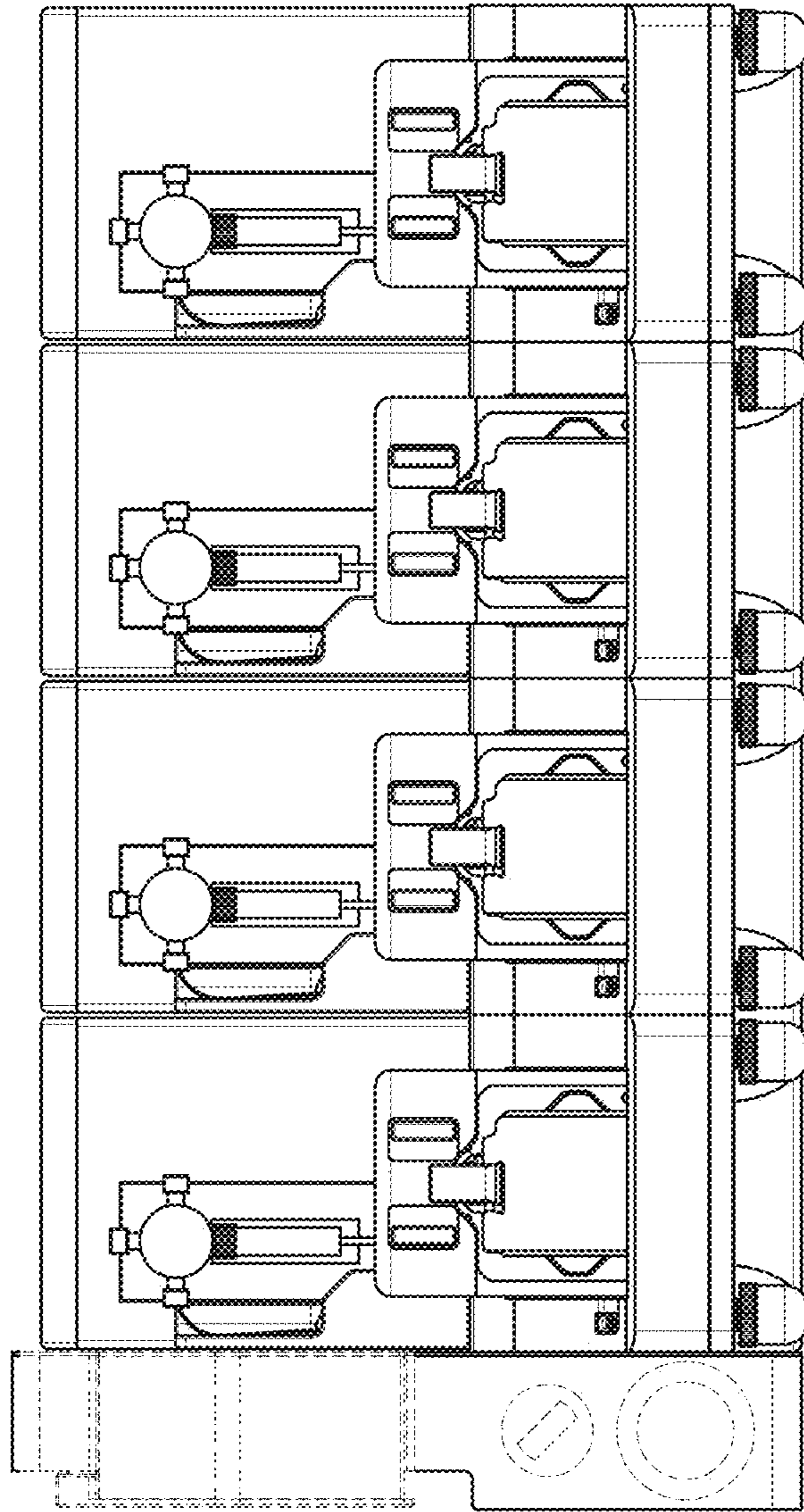


FIG. 2

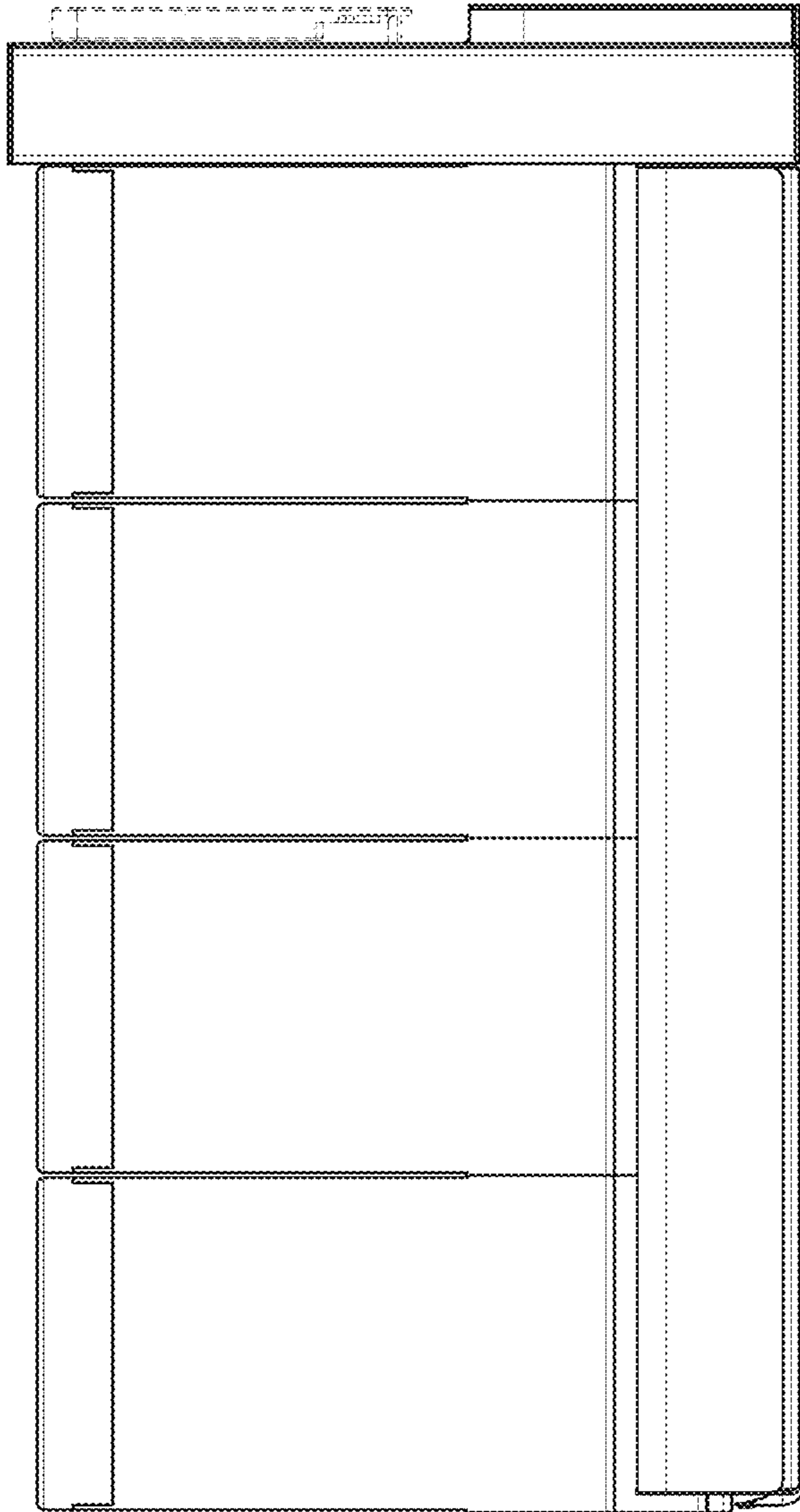


FIG. 3

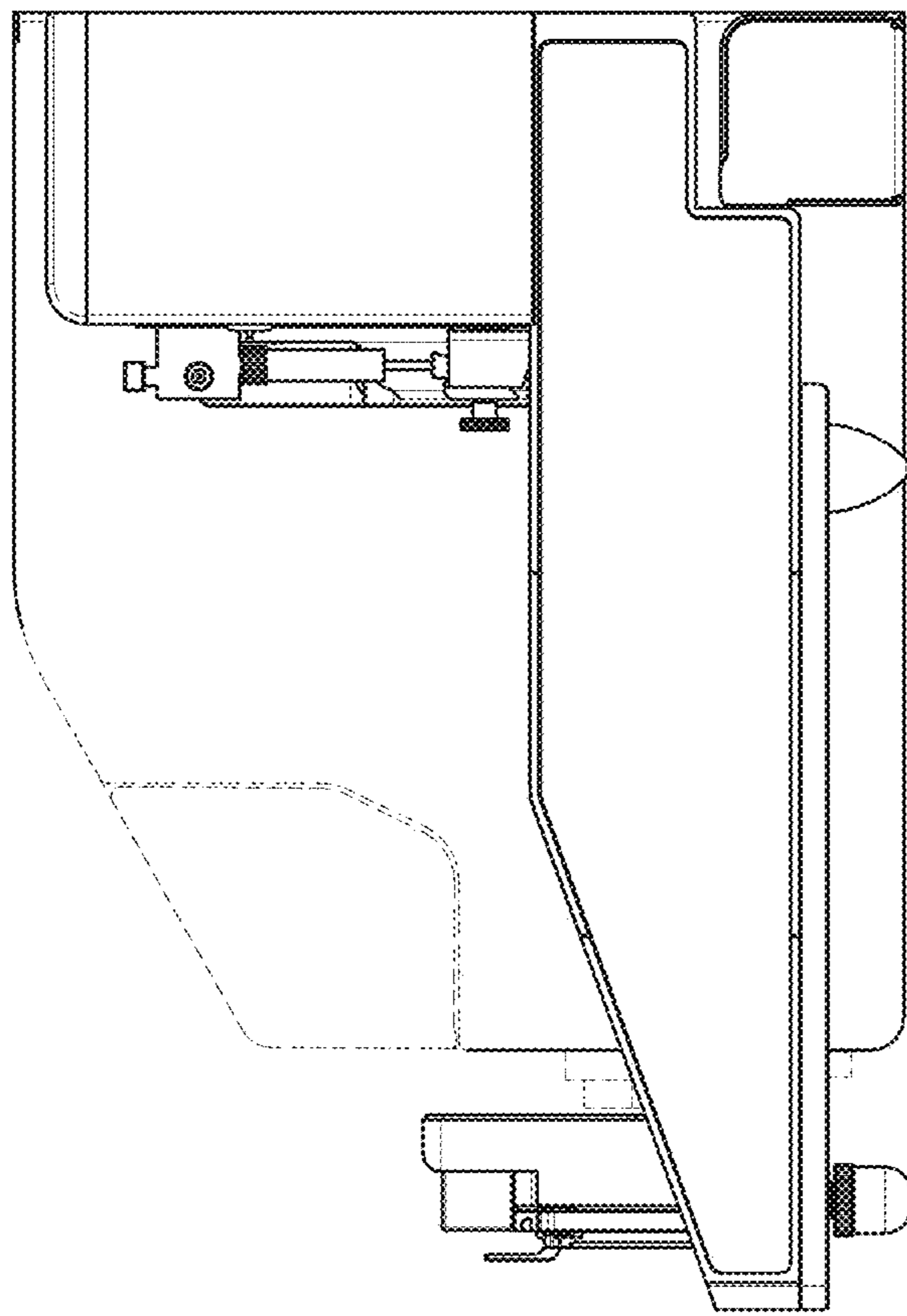


FIG. 4

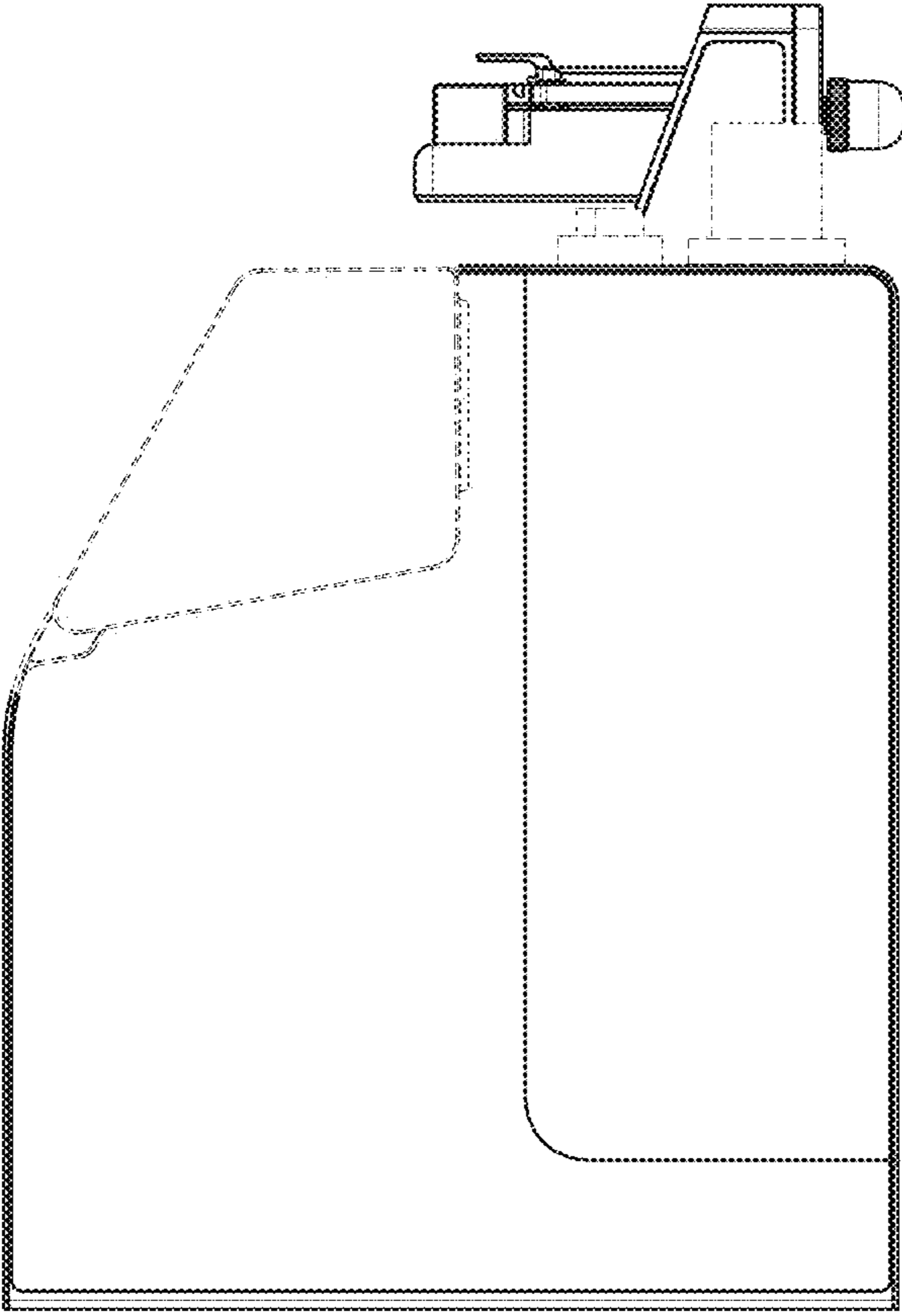


FIG. 5

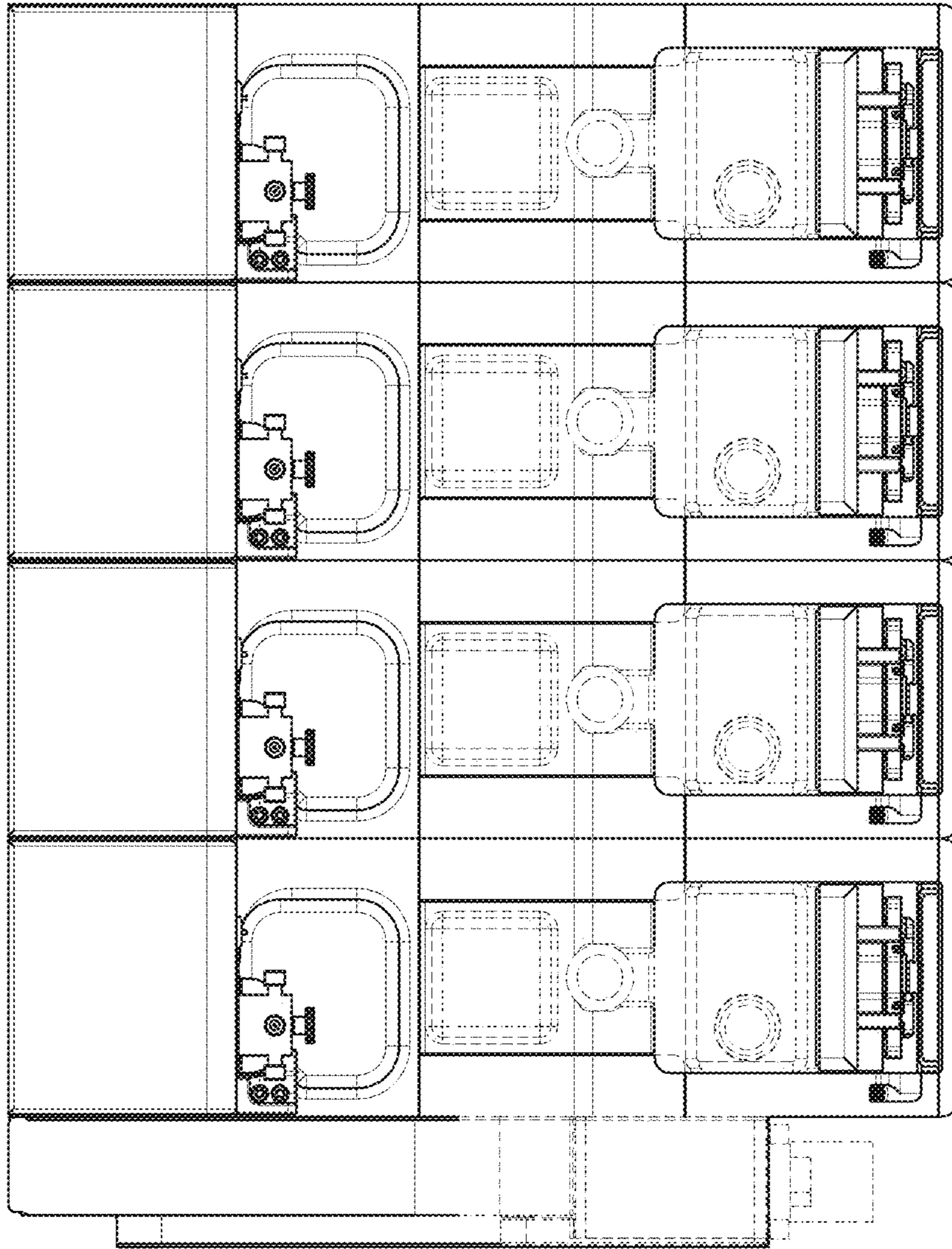


FIG. 6

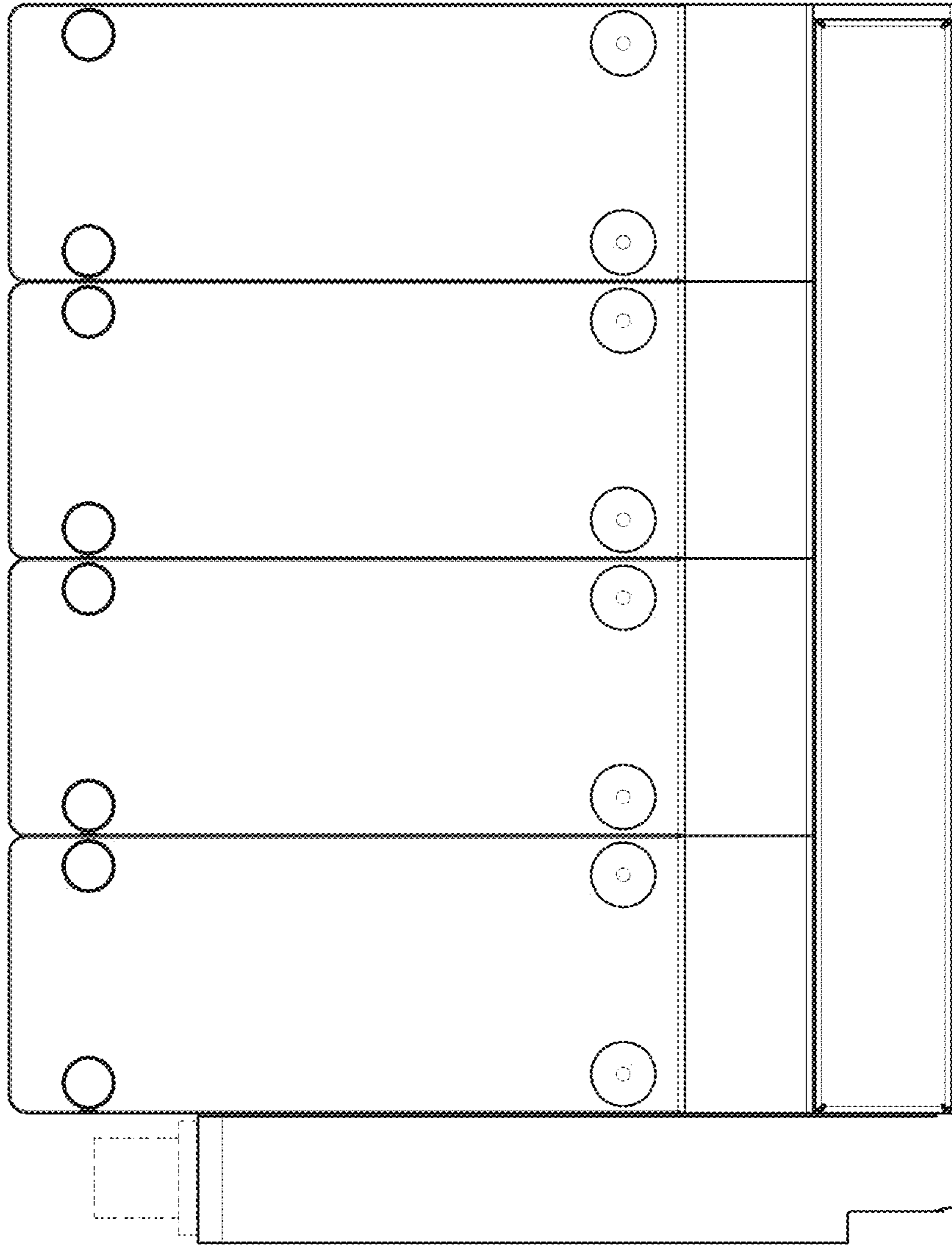


FIG. 7