



US00D968483S

(12) **United States Design Patent**
Alon et al.

(10) **Patent No.:** **US D968,483 S**

(45) **Date of Patent:** **** Nov. 1, 2022**

(54) **PROCESSING INSTRUMENT**
(71) Applicant: **Berkeley Lights, Inc.**, Emeryville, CA (US)
(72) Inventors: **Raziel Solomon Alon**, Berkeley, CA (US); **Angel Navas Angeles**, Union City, CA (US); **Ken Huynh**, San Leandro, CA (US); **Christopher C. Shing**, Castro Valley, CA (US); **David Aaron Weisbach**, Berkeley, CA (US)
(73) Assignee: **BERKELEY LIGHTS, INC.**, Emeryville, CA (US)

6,754,920 B2 * 6/2004 Fleming A47C 27/001
5/722
8,323,900 B2 * 12/2012 Handique F16K 99/0044
435/6.12
D690,744 S * 10/2013 Koide D15/122
D694,888 S * 12/2013 Chung D24/169
D728,121 S * 4/2015 Cook D24/216
D728,125 S * 4/2015 Trigg D24/232
D756,913 S * 5/2016 Esses D13/107
9,765,389 B2 * 9/2017 Gubatayao B01L 9/527
D822,222 S * 7/2018 Smith D24/216
D830,210 S * 10/2018 Ihara D24/216
D844,471 S * 4/2019 Stone D24/216
D887,296 S * 6/2020 Stone D24/216
D888,267 S * 6/2020 Salomon D24/216
10,900,066 B2 * 1/2021 Handique C12Q 1/6806
D914,905 S * 3/2021 Wade D24/216
11,023,031 B2 * 6/2021 Sakai G06F 1/266
D937,433 S * 11/2021 Sugie D24/158

(**) Term: **15 Years**

(21) Appl. No.: **29/746,274**

(22) Filed: **Aug. 12, 2020**

(51) **LOC (13) Cl.** **15-09**

(52) **U.S. Cl.**
USPC **D15/122**

(58) **Field of Classification Search**
USPC D13/110, 112, 116, 118, 119, 123, 124,
D13/184; D15/122, 199
CPC H02M 7/00; G01N 33/5302; G01N
2035/00306

See application file for complete search history.

(56) **References Cited**

U.S. PATENT DOCUMENTS

D228,414 S * 9/1973 Green lee D18/57
D258,909 S * 4/1981 Bergo D24/169
5,055,408 A * 10/1991 Higo G01N 35/026
422/65
D338,419 S * 8/1993 Frenkel D24/232
D367,534 S * 2/1996 DiPerna D24/111
D378,782 S * 4/1997 LaBarbera D24/231
D474,279 S * 5/2003 Mayer D24/231

* cited by examiner

Primary Examiner — Patricia A Palasik

(74) *Attorney, Agent, or Firm* — Norton Rose Fulbright
US LLP

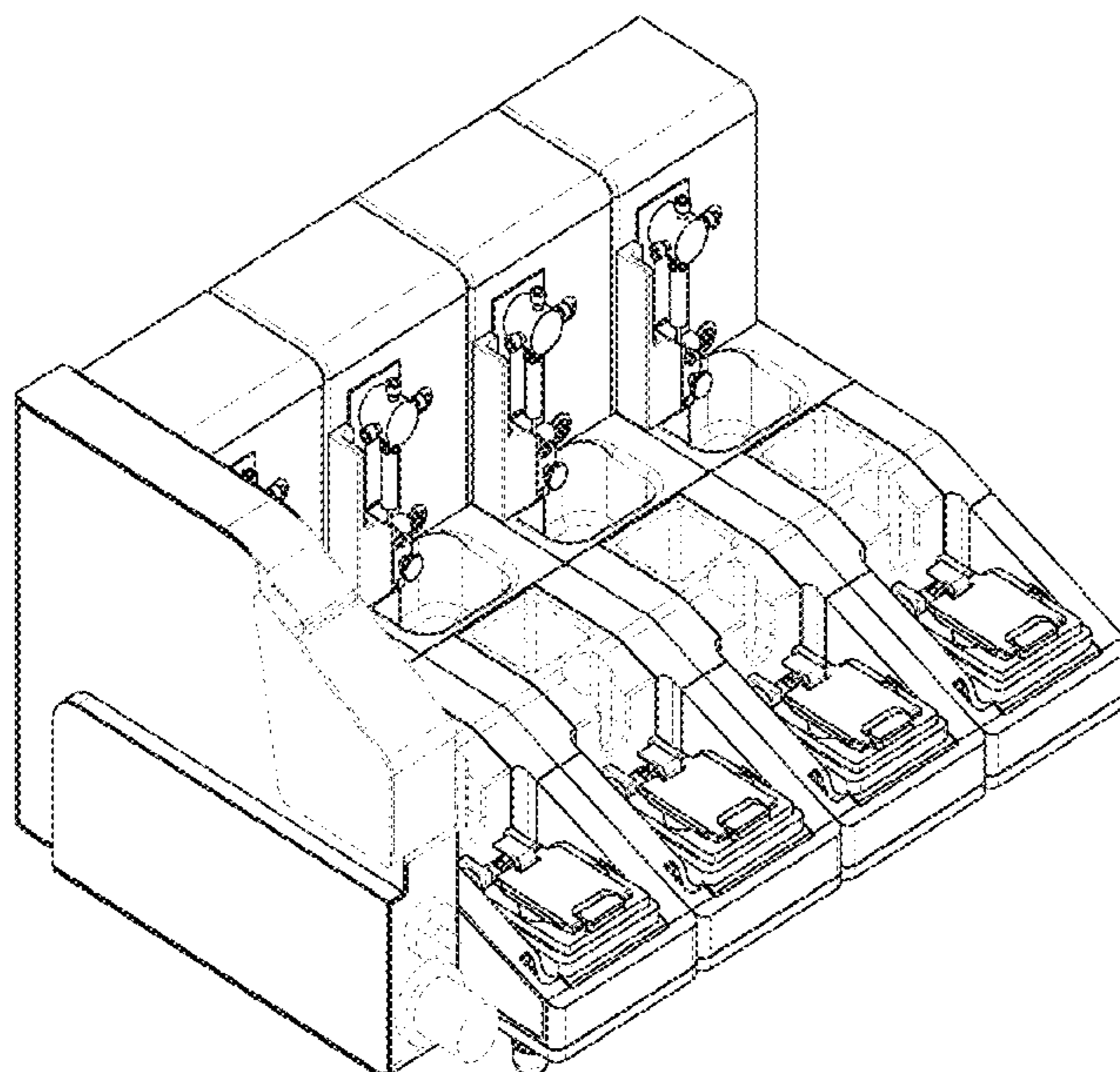
(57) **CLAIM**

The ornamental design for a processing instrument, as shown and described.

DESCRIPTION

FIG. 1 is a front perspective view of a processing instrument showing our new design;
FIG. 2 is a front view of the processing instrument;
FIG. 3 is a rear view of the processing instrument;
FIG. 4 is a right side view of the processing instrument;
FIG. 5 is a left side view of the processing instrument;
FIG. 6 is a top view of the processing instrument; and,
FIG. 7 is a bottom view of the processing instrument.
The dashed lines in FIGS. 1-7 indicate unclaimed portions of the disclosed processing instrument.

1 Claim, 7 Drawing Sheets



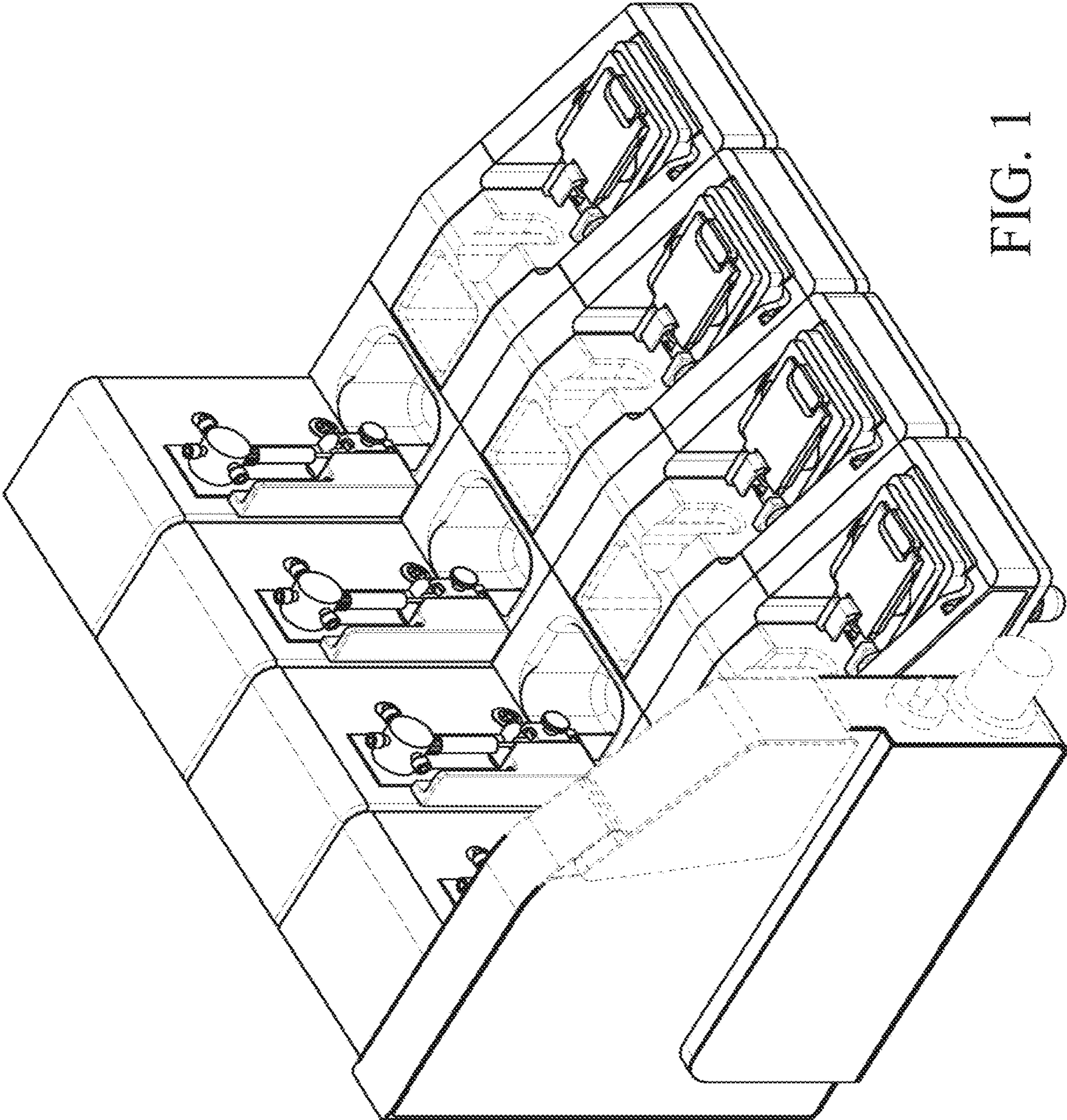


FIG. 1

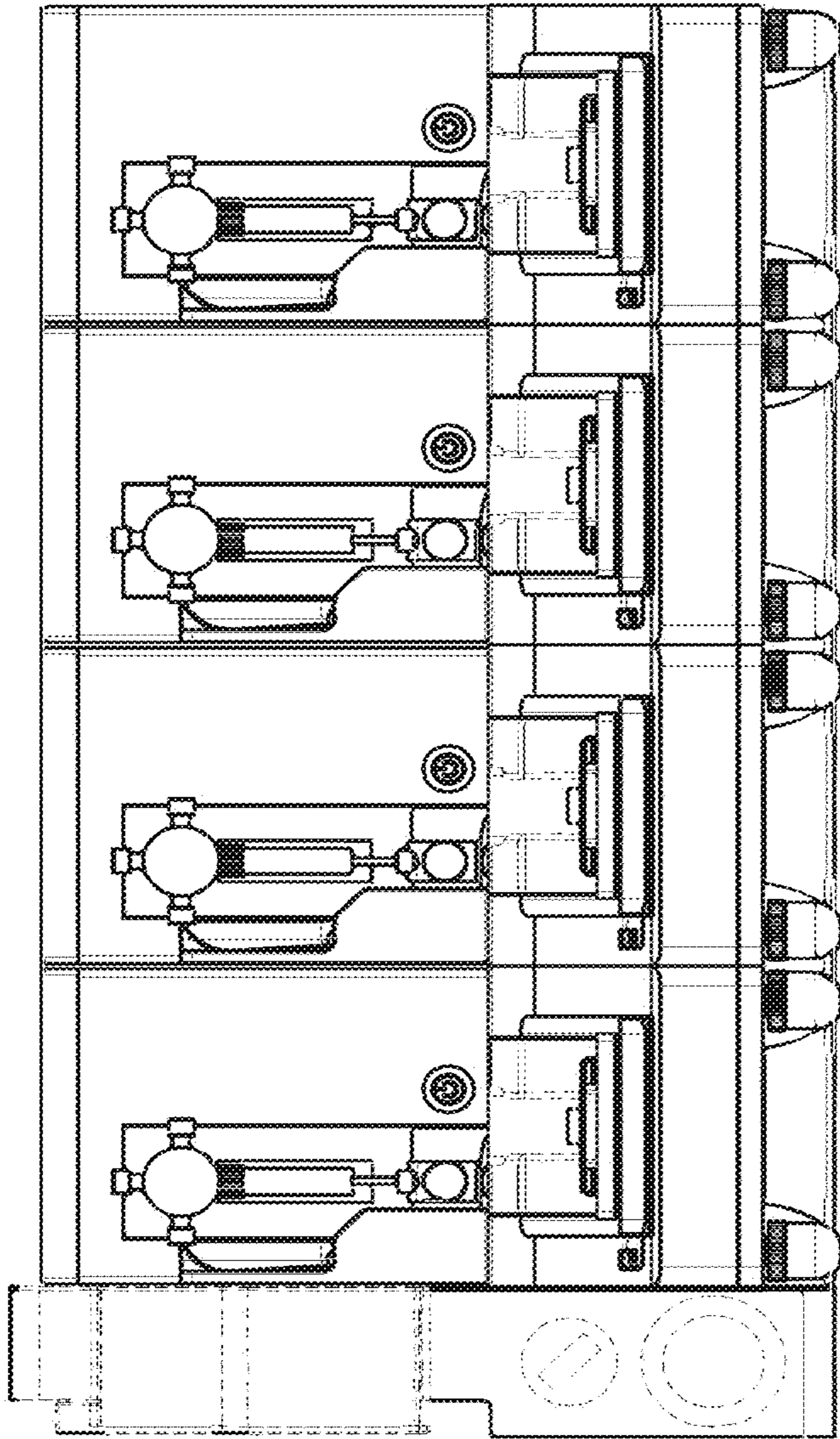


FIG. 2

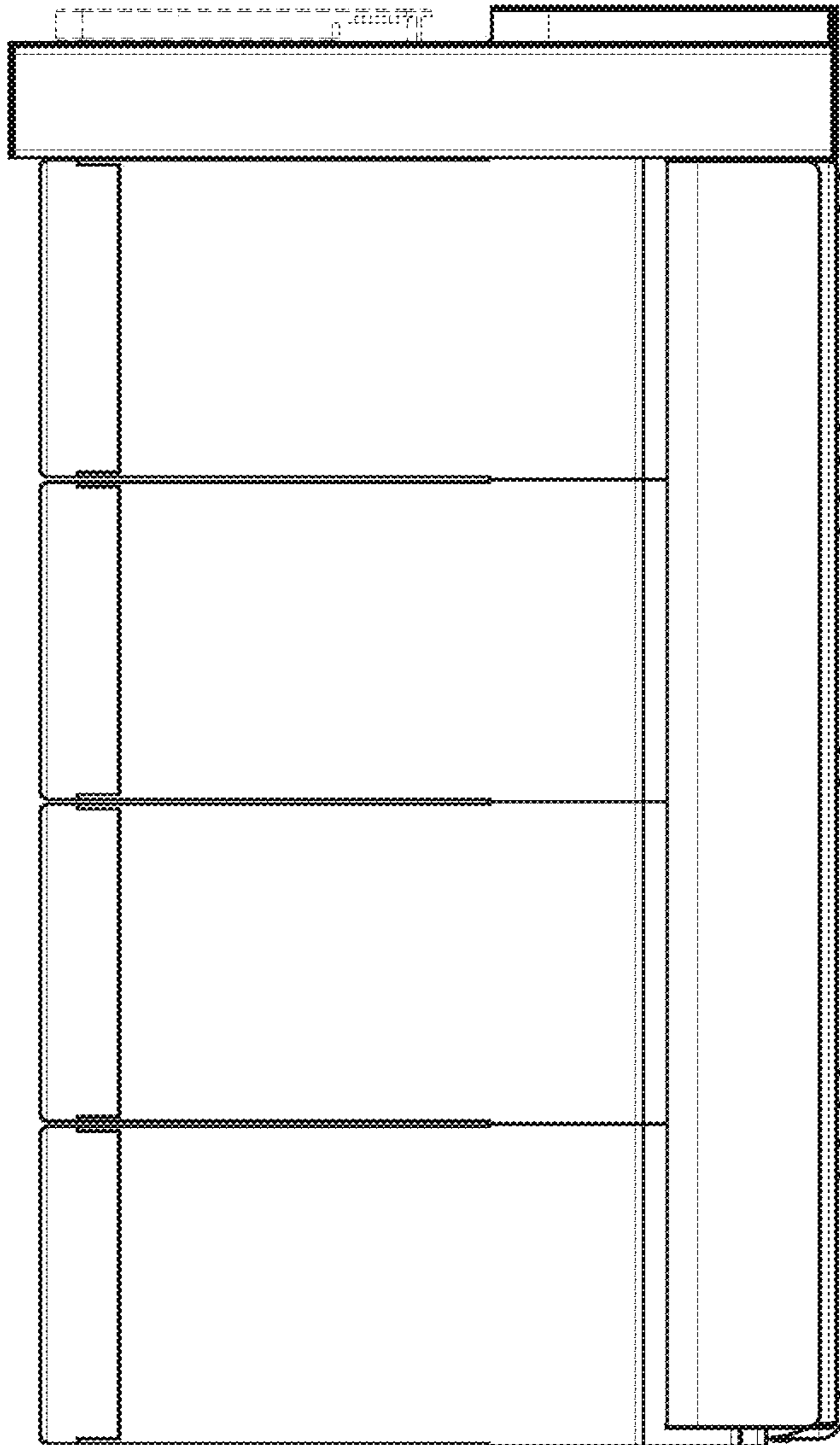


FIG. 3

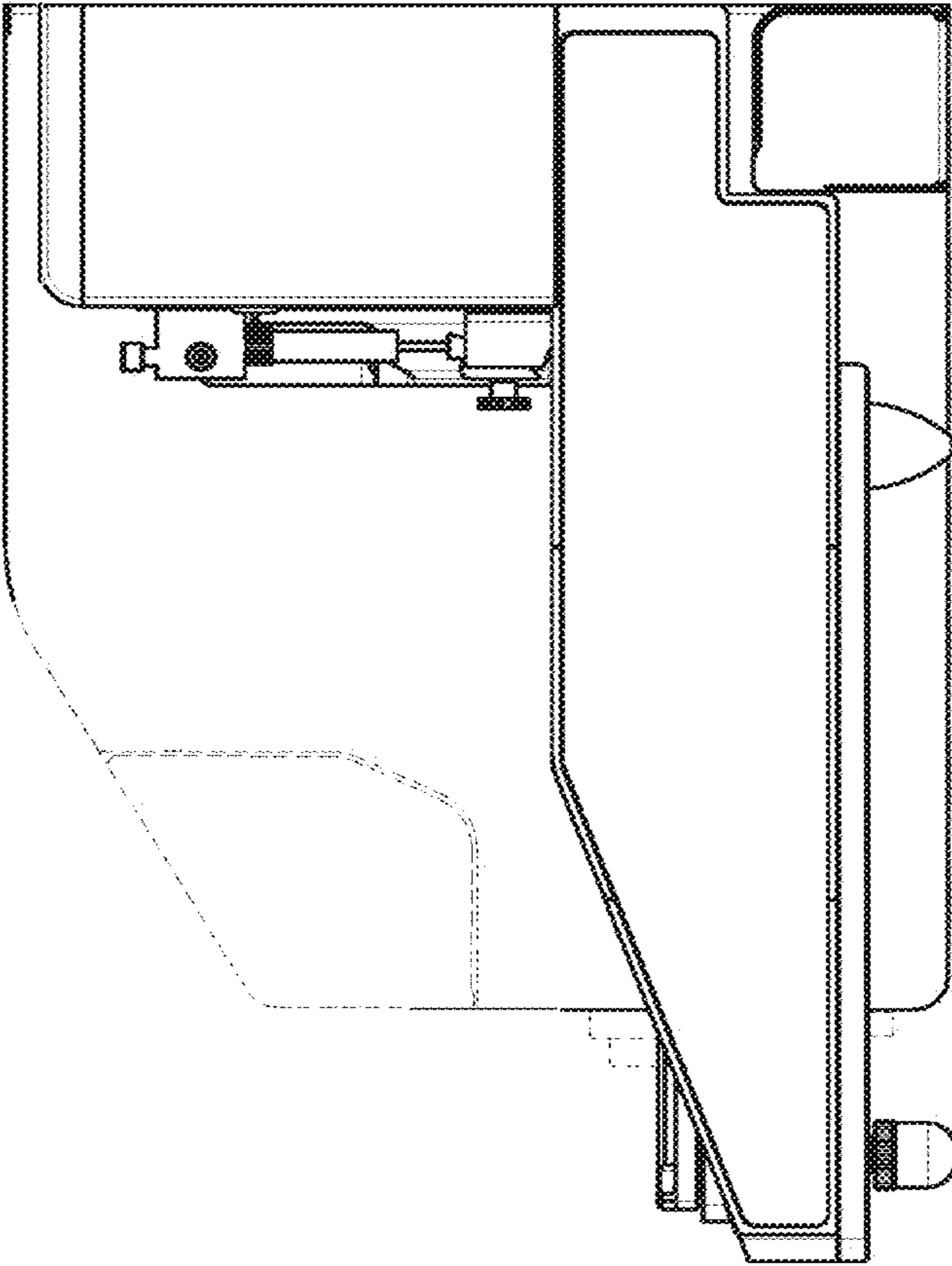


FIG. 4

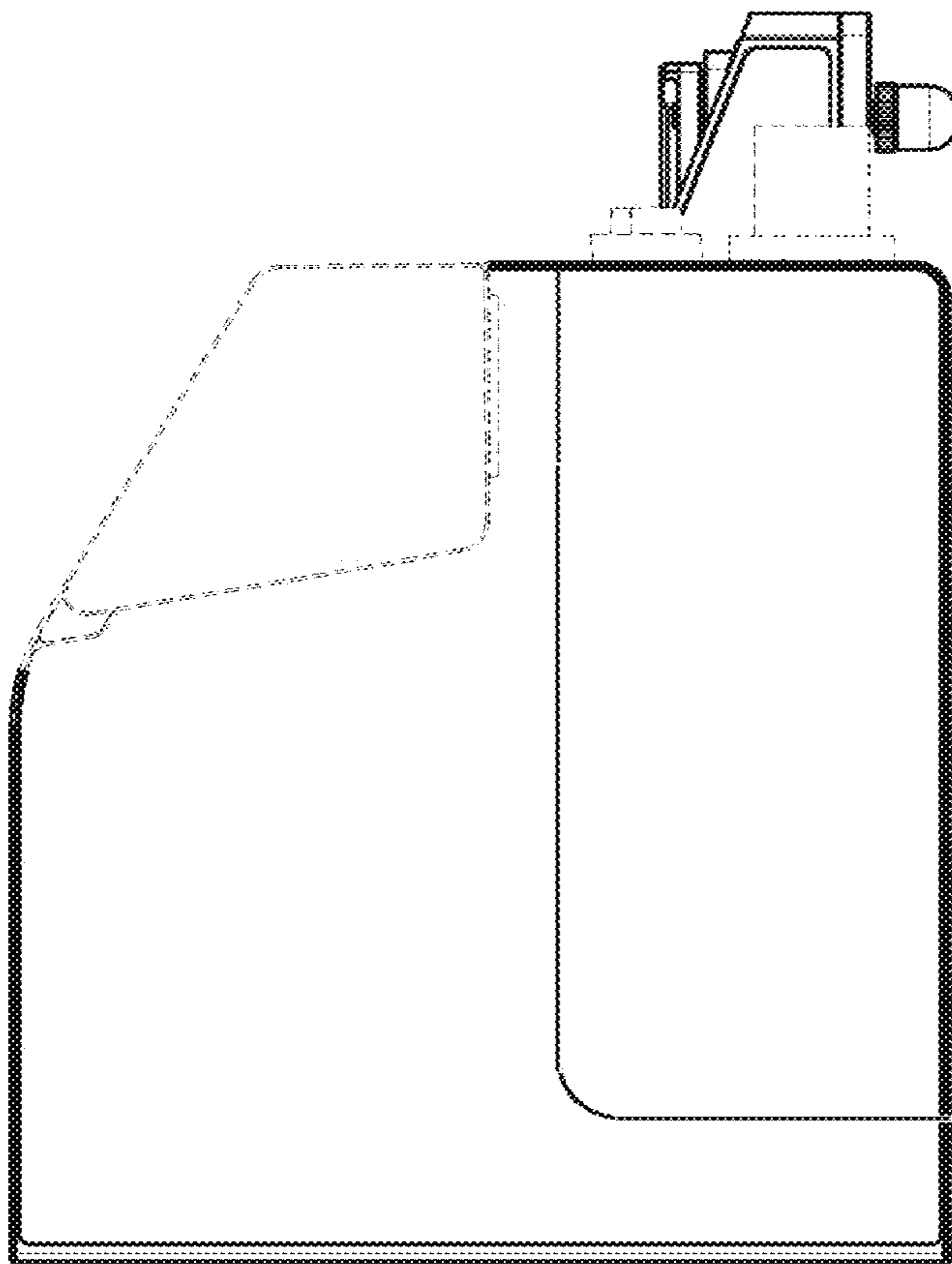


FIG. 5

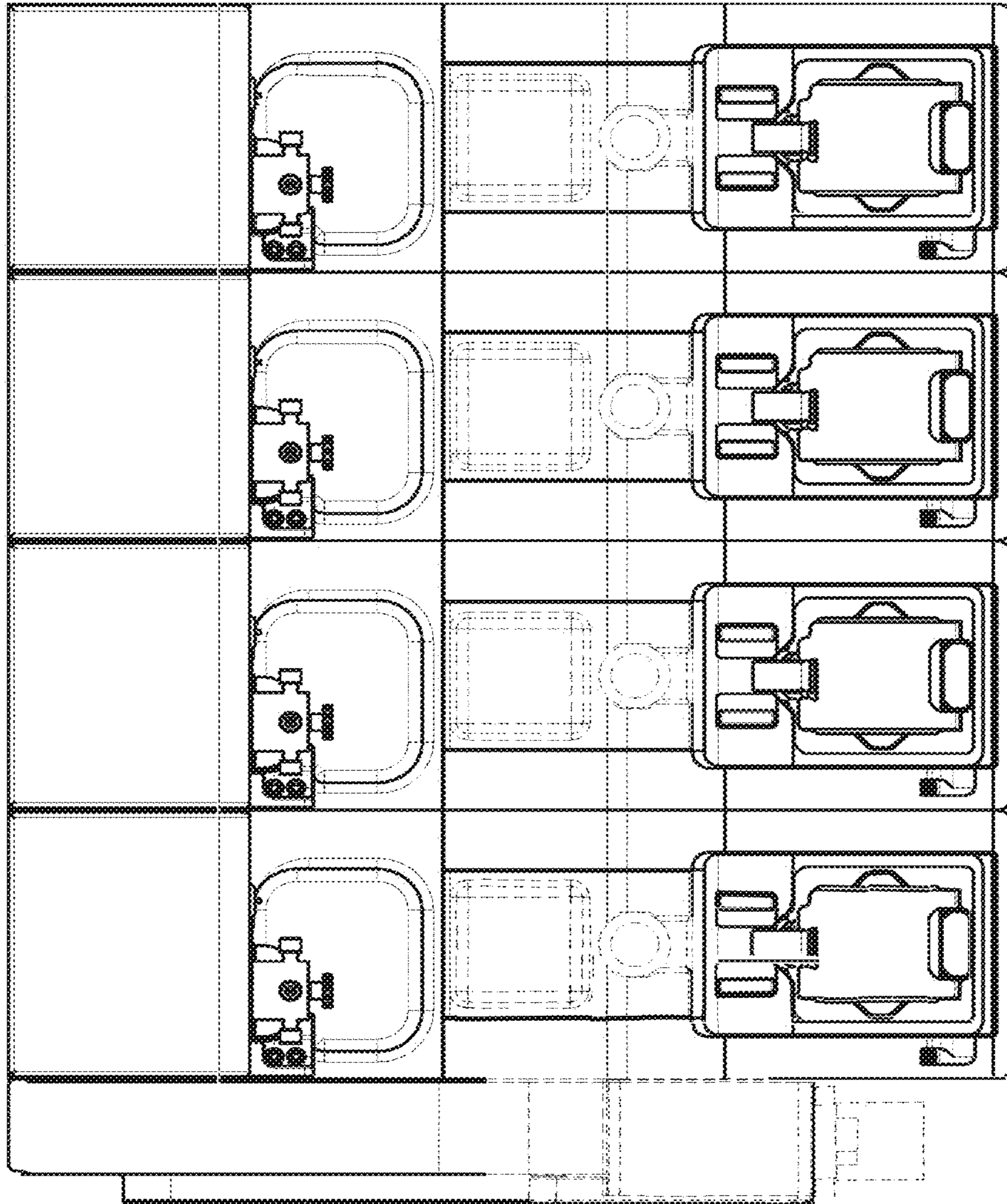


FIG. 6

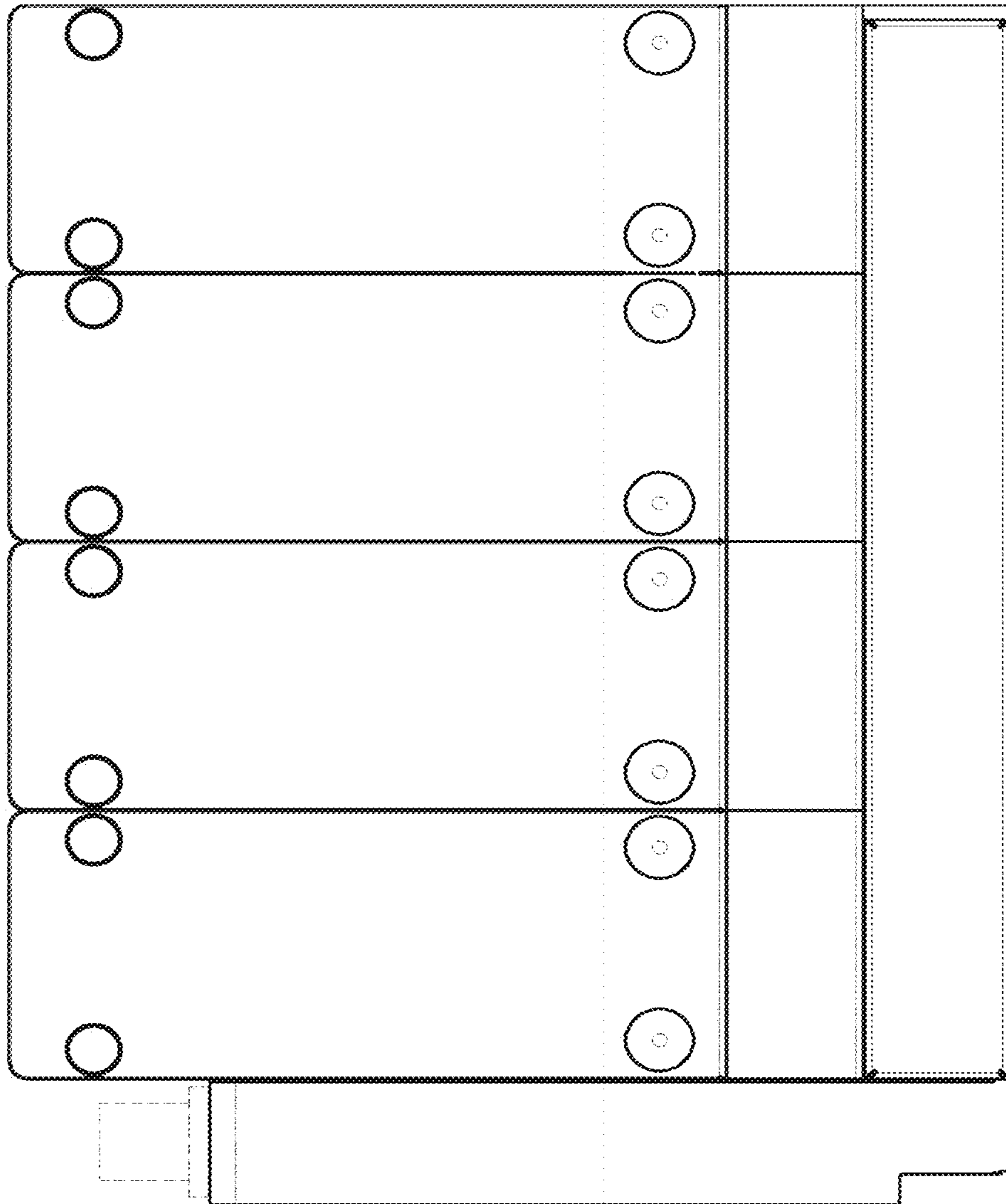


FIG. 7