



US00D968481S

(12) **United States Design Patent** (10) **Patent No.:** **US D968,481 S**
Choi et al. (45) **Date of Patent:** **** Nov. 1, 2022**

(54) **REFRIGERATOR**

(71) Applicant: **LG ELECTRONICS INC.**, Seoul (KR)

(72) Inventors: **Kyukwan Choi**, Seoul (KR); **Sanghun Kim**, Seoul (KR); **Sangwoog Cho**, Seoul (KR); **Wonsang Choi**, Seoul (KR); **Seungjin Yoon**, Seoul (KR); **Sungkyong Han**, Seoul (KR)

(73) Assignee: **LG ELECTRONICS INC.**, Seoul (KR)

(**) Term: **15 Years**

(21) Appl. No.: **29/774,499**

(22) Filed: **Mar. 17, 2021**

(30) **Foreign Application Priority Data**

Sep. 18, 2020 (KR) 30-2020-0044982

(51) **LOC (13) Cl.** **15-07**

(52) **U.S. Cl.**
USPC **D15/91; D15/89; D15/86**

(58) **Field of Classification Search**
USPC D15/79-91
CPC F25D 2323/021; F25D 2323/024; F25D 29/00; F25D 27/005; F25D 29/005; F25D 17/042; F25D 2325/021; F25D 11/00; F25D

(Continued)

(56) **References Cited**

U.S. PATENT DOCUMENTS

D754,217 S * 4/2016 Choi D15/89
D755,261 S * 5/2016 Choi D15/89

(Continued)

OTHER PUBLICATIONS

Samsung, Samsung RF23M8570SR, (site visited Mar. 11, 2022), AJ Madison Website, URL:<<https://www.ajmadison.com/cgi-bin/ajmadison/RF23M8570SR.html>> (Year: 2022).*

(Continued)

Primary Examiner — Calvin E Vansant

Assistant Examiner — Mark T. Philipps

(74) *Attorney, Agent, or Firm* — Birch, Stewart, Kolasch & Birch, LLP

(57) **CLAIM**

The ornamental design for a refrigerator, as shown and described.

DESCRIPTION

FIG. 1 is a front perspective view of the refrigerator showing our new design;

FIG. 2 is a front view thereof;

FIG. 3 is a back view thereof;

FIG. 4 is a left side view thereof;

FIG. 5 is a right side view thereof;

FIG. 6 is a top plan view thereof;

FIG. 7 is a bottom plan view thereof;

FIG. 8 is a partial enlarged view of region 8, taken from FIG. 1;

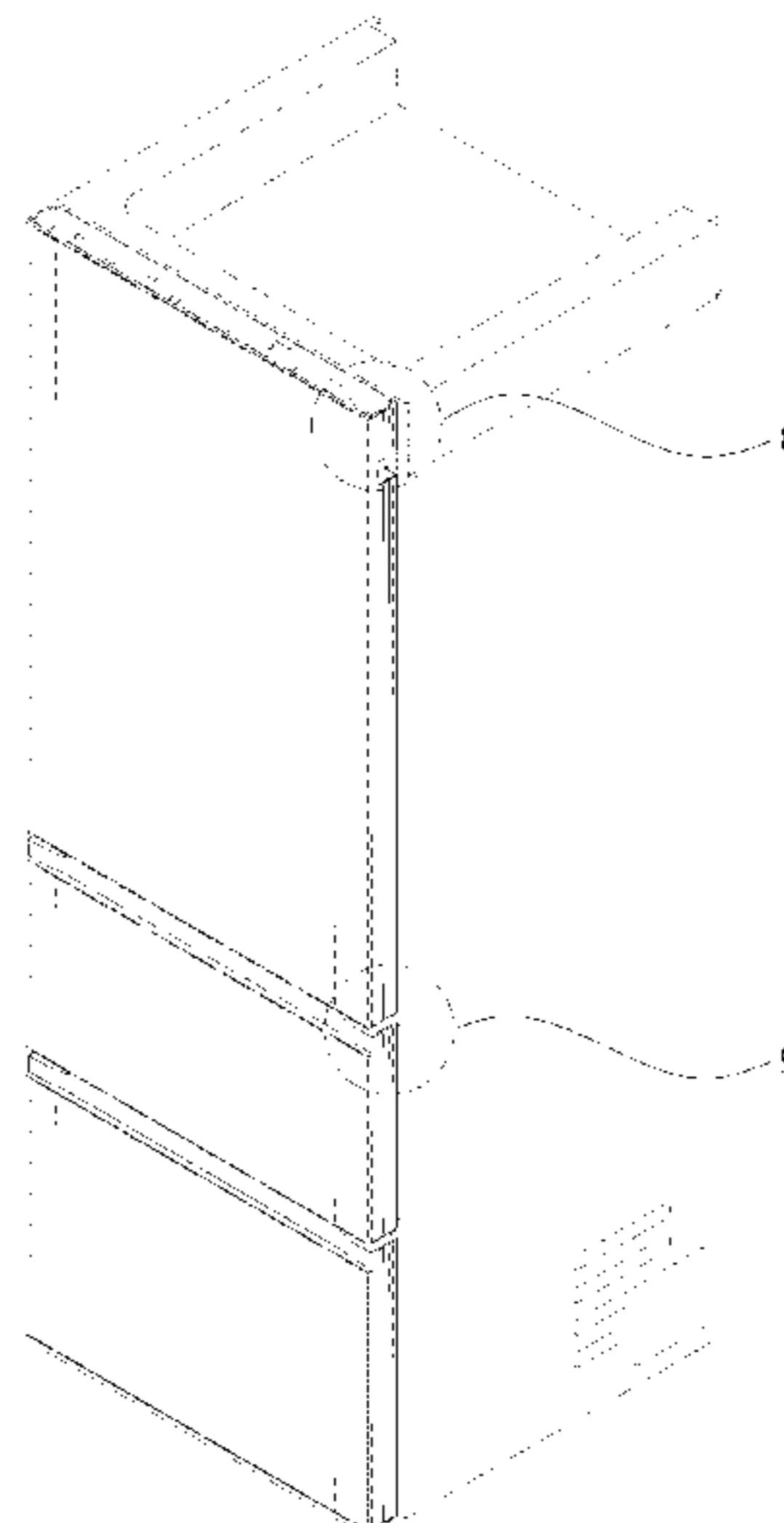
FIG. 9 is a partial enlarged view of region 9, taken from FIG. 1;

FIG. 10 is a perspective view showing the state of use that the handle has been attached at the right side of the front panel, and the opening direction of the front door has been changed; and,

FIG. 11 is a perspective view showing the state of use that the front panel has been separated from the door body for clarity.

The broken lines depict portions of the refrigerator that form no part of the claimed design. The long dash-short dash-long dash broken lines on FIGS. 1, 8 and 9 depict the boundary of the enlarged view on FIGS. 8 and 9, taken from FIG. 1, and form no part of the claimed design.

1 Claim, 11 Drawing Sheets



(58) **Field of Classification Search**

CPC 11/02; F25D 11/025; F25D 23/00; F25D 23/02; F25D 23/04; F25D 23/12; F25D 23/028; F25D 25/02; F25D 25/021; F25D 25/022; F25D 25/024; F25D 25/025; A47F 3/04; A47F 3/0404

See application file for complete search history.

D921,711 S * 6/2021 Lee D15/85
 D921,712 S * 6/2021 Lee D15/86
 D921,713 S * 6/2021 Lee D15/86
 D921,714 S * 6/2021 Yoon D15/86
 D934,312 S * 10/2021 Kim D15/86
 D939,596 S * 12/2021 Xie F25D 25/025
 D15/86
 D939,597 S * 12/2021 Xie F25D 25/025
 D15/86
 2013/0026900 A1* 1/2013 Oh E05B 65/0042
 312/401
 2018/0038626 A1* 2/2018 Kim F25D 29/003
 2018/0156520 A1* 6/2018 Lindel F25D 11/00
 2020/0263479 A1* 8/2020 Lee E05F 15/619
 2020/0326119 A1* 10/2020 Lee F25D 23/02

(56) **References Cited**

U.S. PATENT DOCUMENTS

D773,538 S * 12/2016 Jeon D15/86
 D775,674 S * 1/2017 Seo D15/86
 D789,995 S * 6/2017 Kim D15/85
 D798,342 S * 9/2017 Kim D15/86
 D810,794 S * 2/2018 Kim D15/85
 D827,683 S * 9/2018 Jeon D15/85
 D841,060 S * 2/2019 Jeon D15/91
 D847,214 S * 4/2019 Guo D15/81
 D872,774 S * 1/2020 Yu F25D 23/025
 D15/86
 D888,110 S * 6/2020 Lee D15/85
 D905,130 S * 12/2020 Yeo F25D 11/02
 D15/86
 D905,767 S * 12/2020 Lee D15/89
 D908,748 S * 1/2021 Lee D15/91
 D912,105 S * 3/2021 Yeo F25D 11/02
 D15/86
 D921,062 S * 6/2021 Lee D15/85
 D921,064 S * 6/2021 Lee D15/89
 D921,065 S * 6/2021 Lee D15/89

OTHER PUBLICATIONS

LG Electronics, LG LRSOS2706S 36 Inch Smart Freestanding Side by Side Refrigerator, (site visited Mar. 11, 2022), Appliance Connection Website, URL:<<https://www.appliancesconnection.com/lg-lrsos2706s.html>> (Year: 2022).*

LG Electronics, LG URETC1408N 28 Inch Counter Depth Wine Cellar Refrigerator with 15.3 Cu. Ft. Capacity, (site visited Mar. 11, 2022), AJ Madison Website, URL:<<https://www.ajmadison.com/cgi-bin/ajmadison/URETC1408N.html#mz-expanded-view-1203307703303>> (Year: 2022).*

LG Electronics, LG Dios Double Magic Space Object Collection, (site visited Mar. 11, 2022), LG Korean Website, URL:<<https://www.lge.co.kr/refrigerators/m872gbb252>> (Year: 2022).*

* cited by examiner

FIG. 1

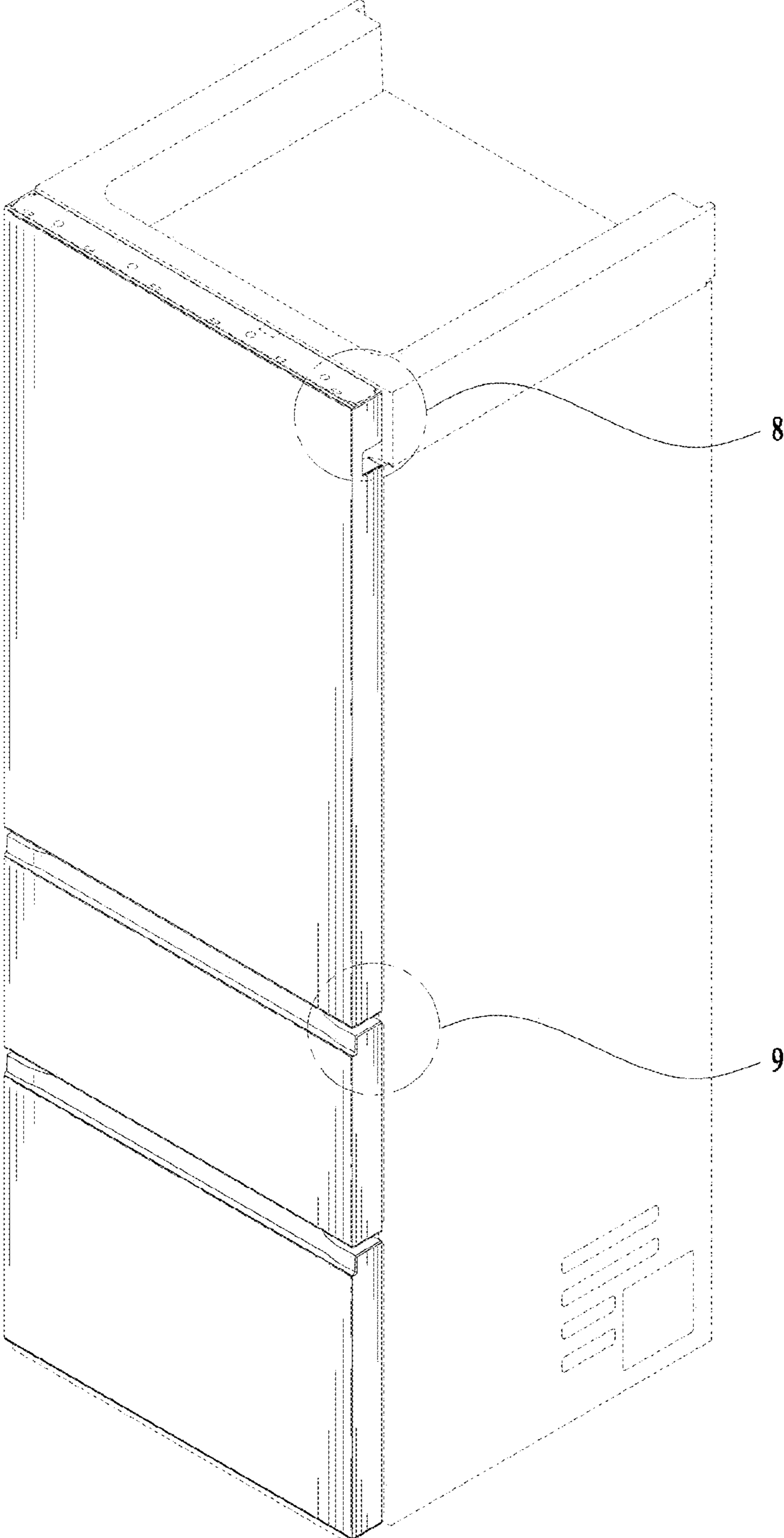


FIG. 2

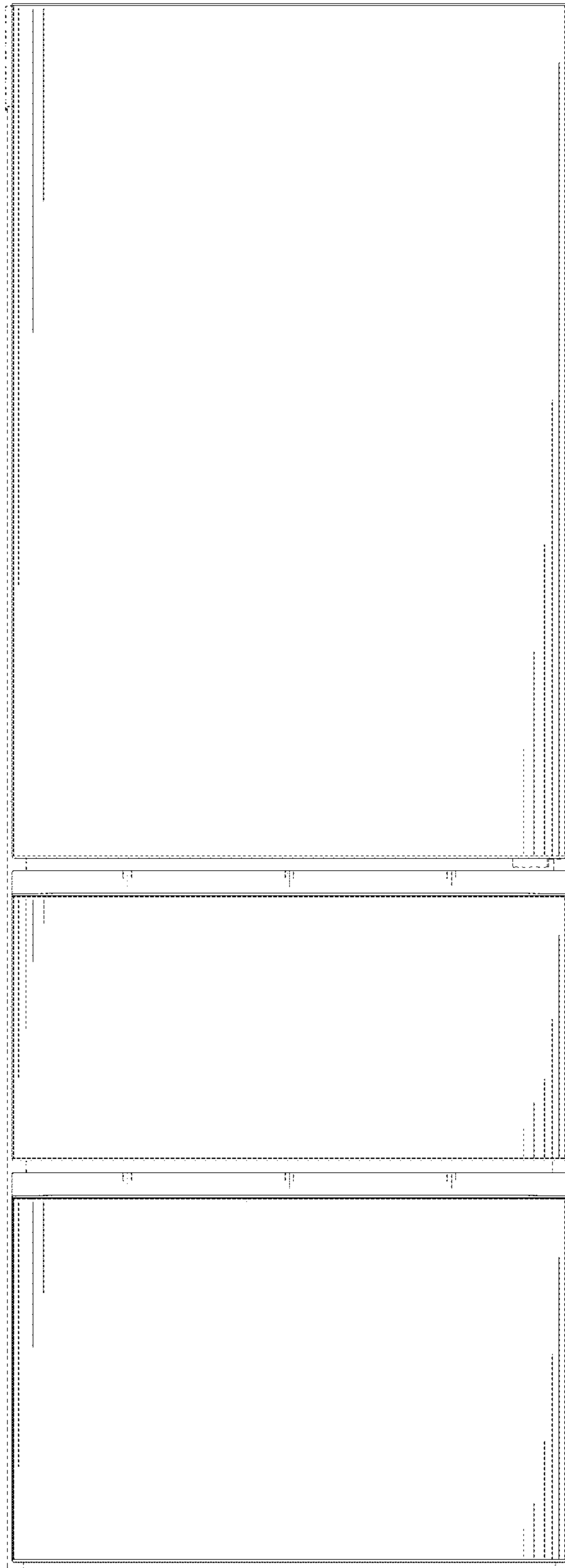


FIG. 3

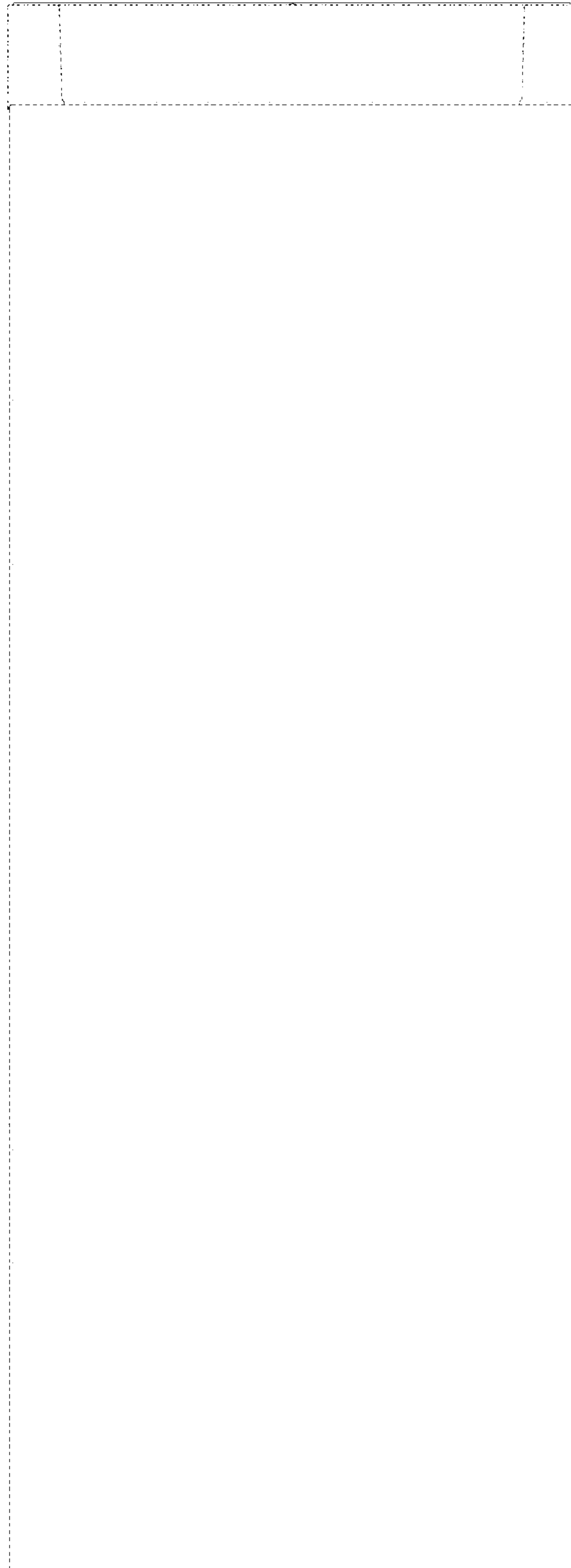


FIG. 4

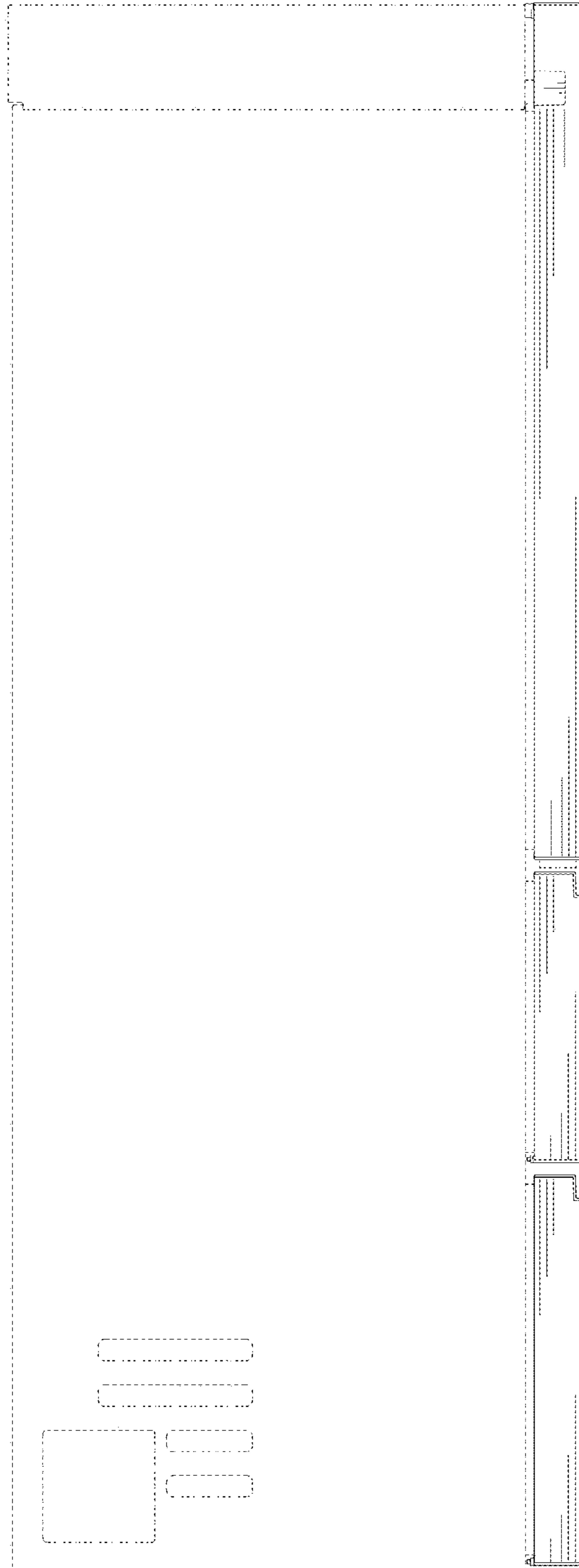


FIG. 5

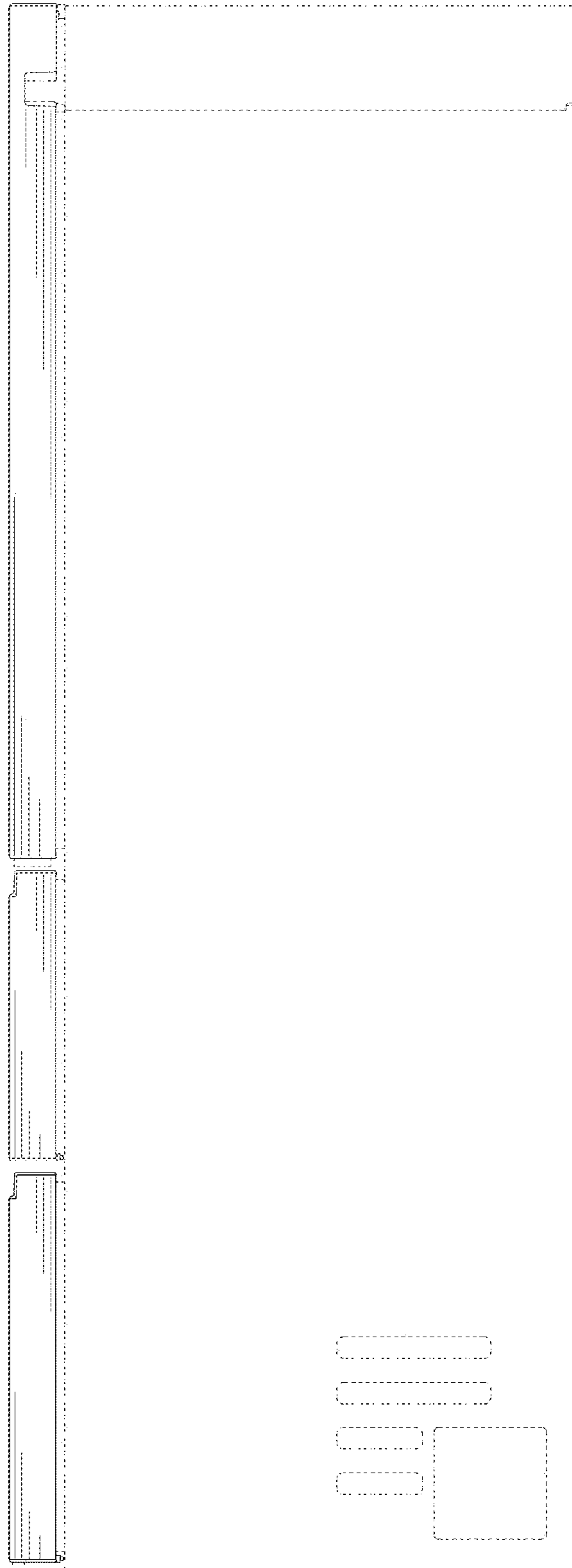


FIG. 6

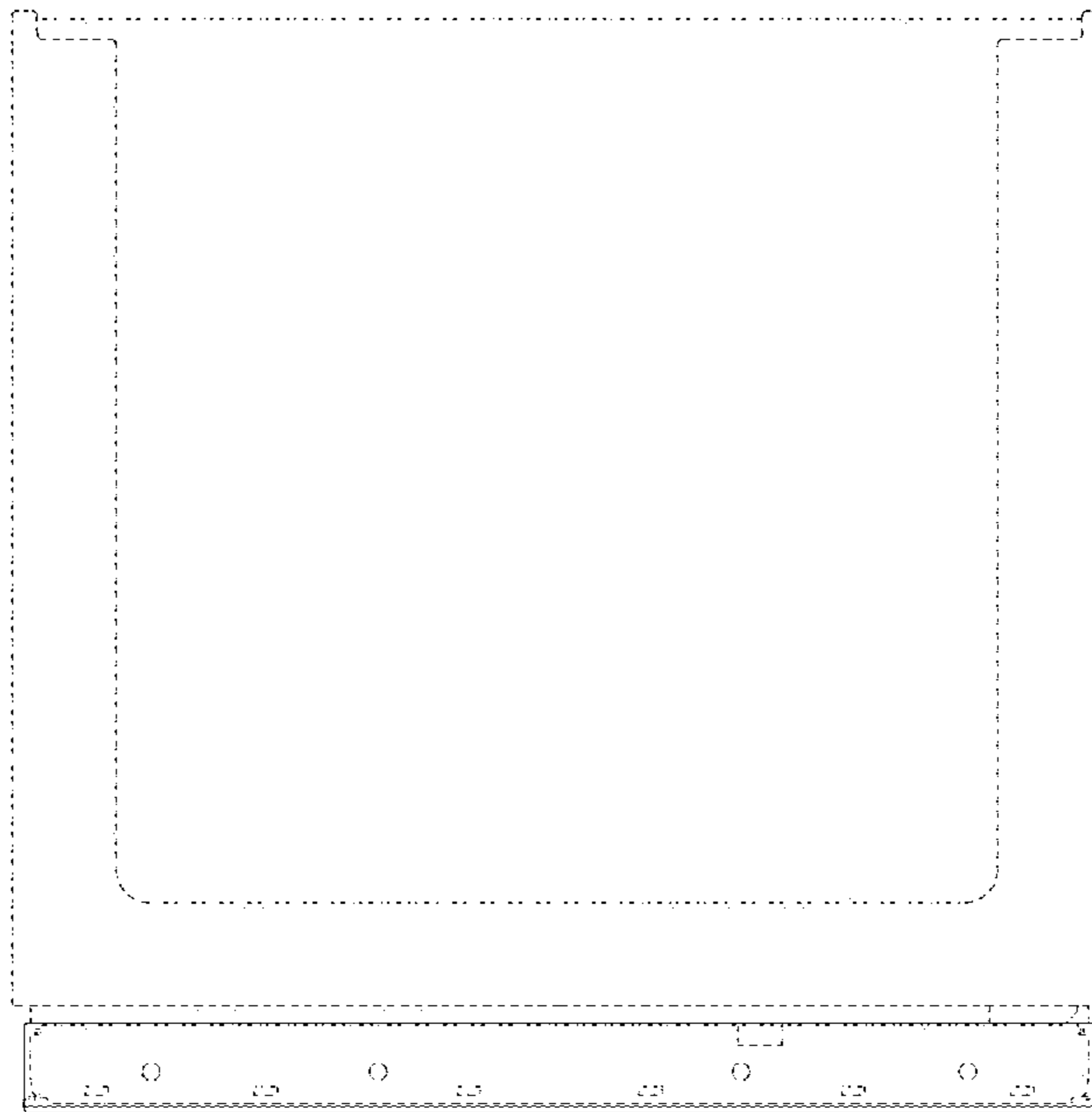


FIG. 7

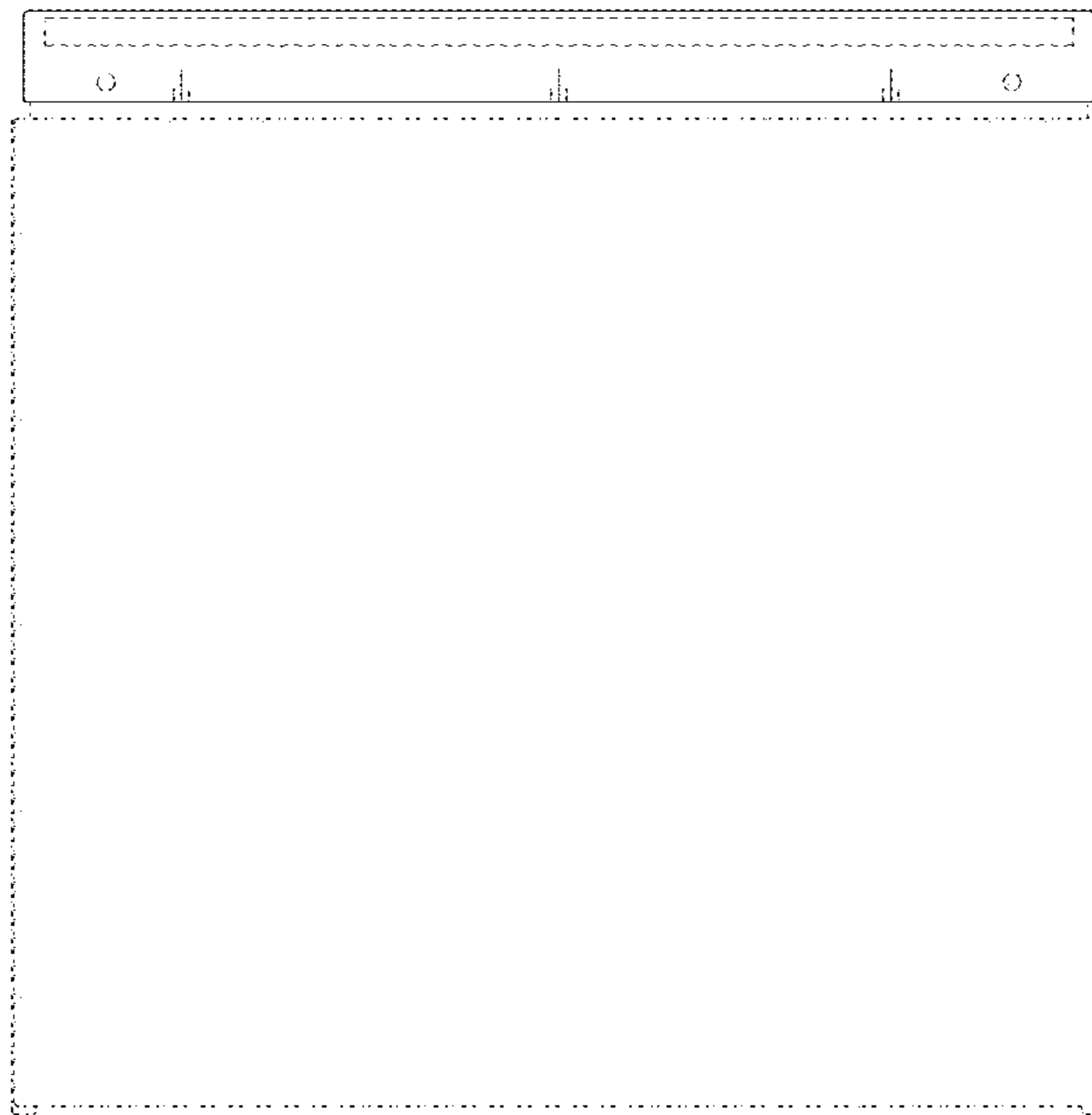


FIG. 8

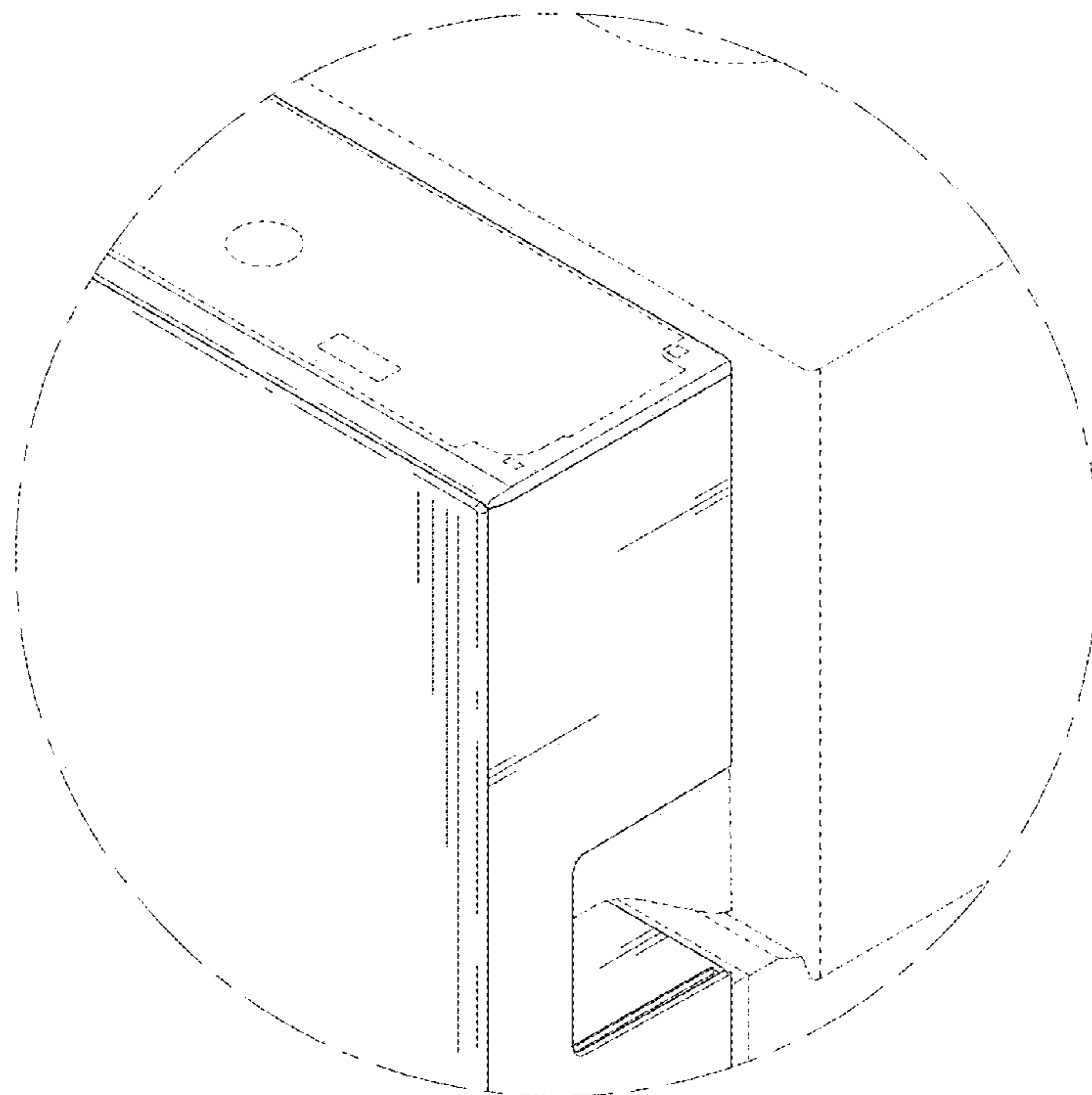


FIG. 9

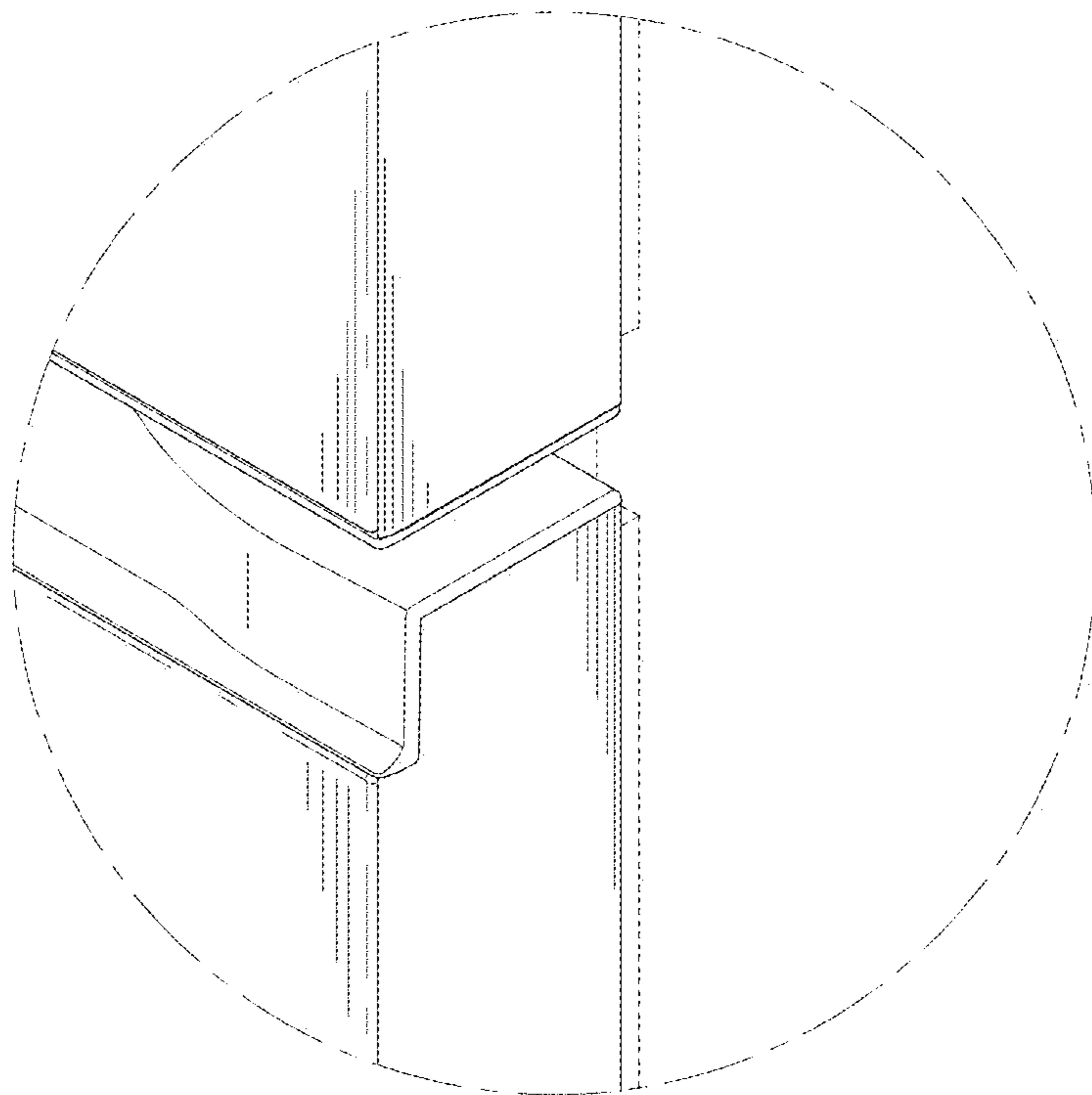


FIG. 10

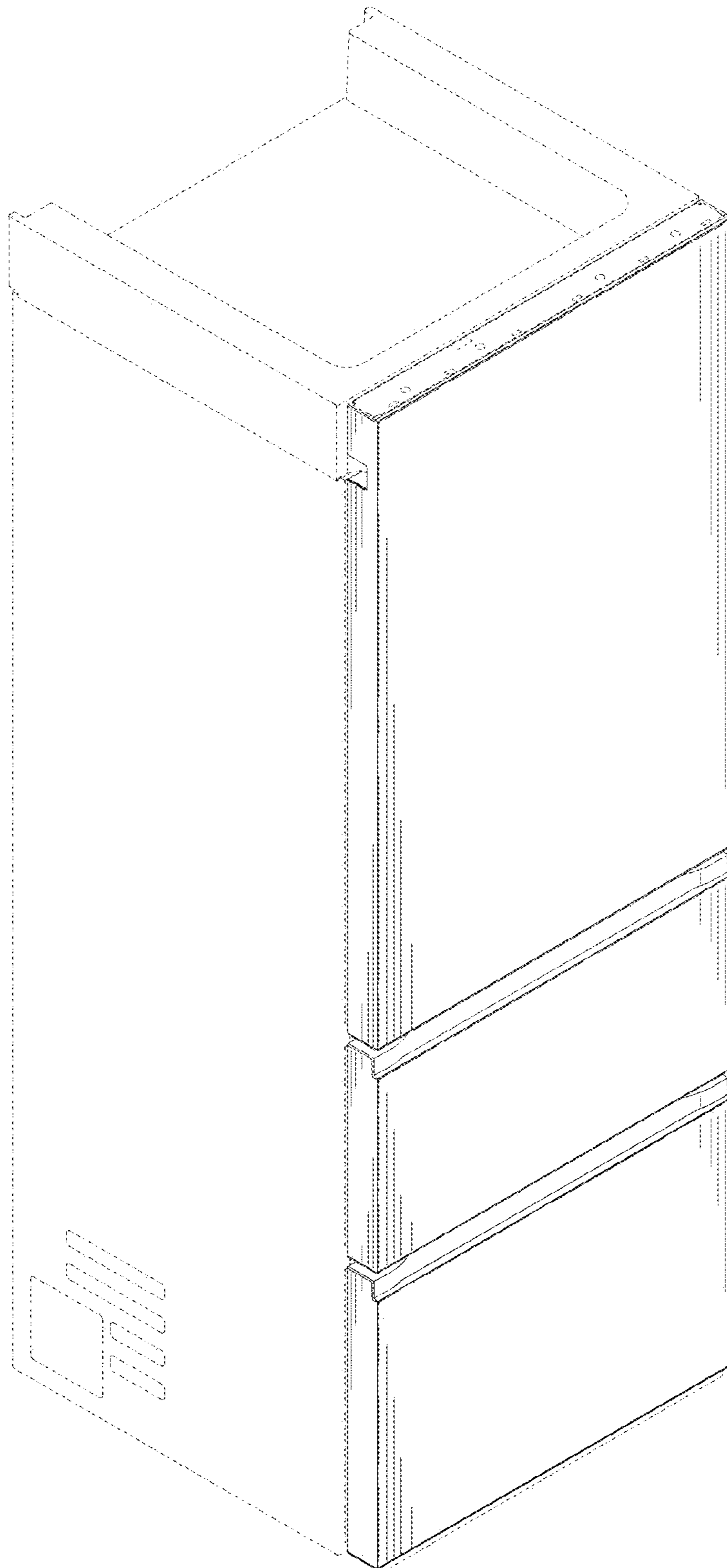


FIG. 11

