



US00D968478S

(12) **United States Design Patent**
Dong

(10) **Patent No.:** **US D968,478 S**

(45) **Date of Patent:** **** Nov. 1, 2022**

(54) **ICE MACHINE**

(71) Applicant: **JIDONG CROSS-BORDER
E-COMMERCE (HANGZHOU) CO.,
LTD.**, Hangzhou (CN)

(72) Inventor: **Shijian Dong**, Hangzhou (CN)

(73) Assignee: **JIDONG CROSS-BORDER
E-COMMERCE (HANGZHOU) CO.,
LTD.**, Hangzhou (CN)

(**) Term: **15 Years**

(21) Appl. No.: **29/811,382**

(22) Filed: **Oct. 13, 2021**

(51) **LOC (13) Cl.** **15-07**

(52) **U.S. Cl.**
USPC **D15/81**

(58) **Field of Classification Search**
USPC D15/79-91
CPC F25D 23/028; F25D 11/02; F25D 23/126;
F25D 25/02; F25D 27/00; F25D 27/005;
F25D 23/025; F25D 23/04; F25D
2323/021; F25D 2323/023; F25D 23/062;
F25D 25/025; F25D 17/045; F25D
2325/021; F25D 2325/022; F25D 23/00;
F25D 23/02; F25D 23/067; F25D 23/069;
F25D 2400/361; F25D 2500/02; F25D
2500/06; F25D 25/024; F25D 29/00;
F25D 11/00; F25D 11/022; F25D 17/065;
F25D 21/04; F25D 2317/061; F25D
2317/063; F25D 2317/0651; F25D
2317/0653; F25D 2317/0661; F25D
2317/0665; F25D 2323/121; F25D
2323/122; F25D 2327/00; F25D
2327/001; F25D 2331/81; F25D 23/021;
F25D 23/06; F25D 23/066; F25D 23/10;
F25D 23/12; F25D 2400/00; F25D
2400/02; F25D 2400/04; F25D 2400/16;

F25D 2400/36; F25D 2400/40; F25D
25/022; F25D 25/027; F25D 25/028;
F25D 2600/02; F25D 2600/06; F25D
2700/00; F25D 2700/04; F25D 2700/12;
F25D 2700/122; F25D 2700/14; F25D
29/005; F25D 31/00; F25D 31/002; F25D
31/005

See application file for complete search history.

(56) **References Cited**

U.S. PATENT DOCUMENTS

D649,565 S	11/2011	LaFond et al.	
D668,272 S	10/2012	Ebelt et al.	
D764,552 S *	8/2016	Traub	D15/90
D846,604 S *	4/2019	Lopez	D15/90
D849,064 S *	5/2019	Hauser	D15/89
D849,805 S *	5/2019	Hauser	D15/89
D855,087 S *	7/2019	Lopez	D15/89
D879,162 S *	3/2020	Murphy	D15/89
D941,890 S *	1/2022	Song	D15/90

* cited by examiner

Primary Examiner — Khawaja Anwar

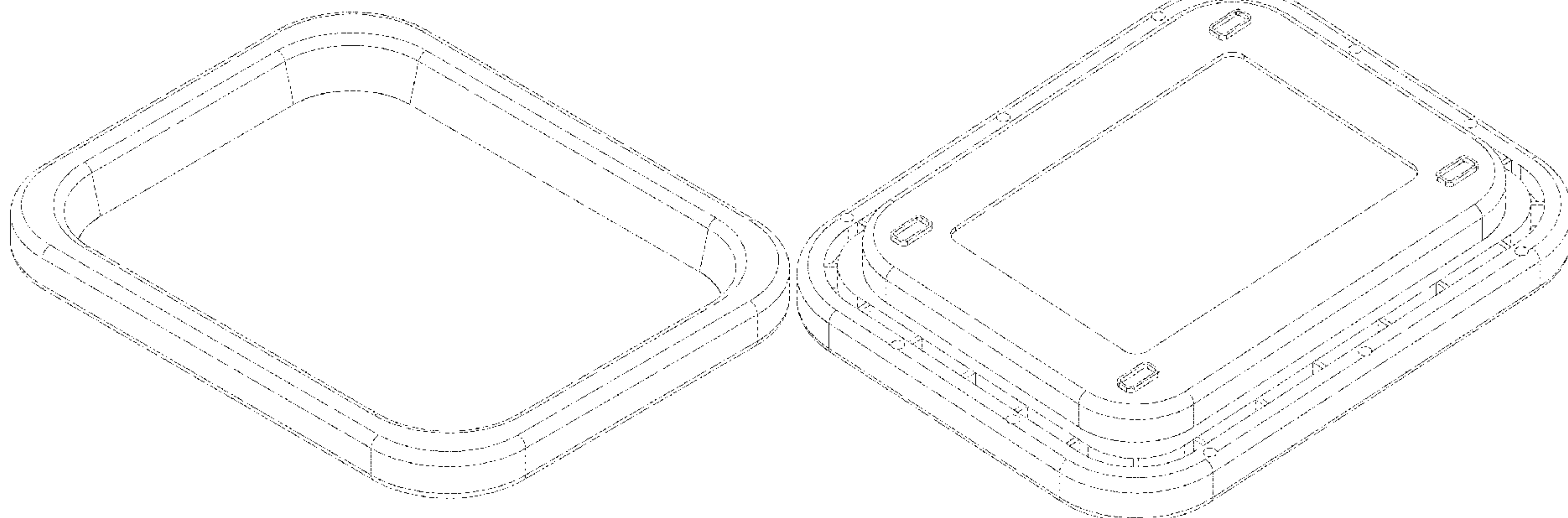
(57) **CLAIM**

The ornamental design for an ice machine, as shown and described.

DESCRIPTION

FIG. 1 is a front elevational view of an ice machine showing my new design;
FIG. 2 is a rear elevational view thereof;
FIG. 3 is a left side elevational view thereof;
FIG. 4 is a right side elevational view thereof;
FIG. 5 is a top plan view thereof;
FIG. 6 is a bottom plan view thereof;
FIG. 7 is a perspective view thereof; and,
FIG. 8 is another perspective view thereof.

1 Claim, 8 Drawing Sheets



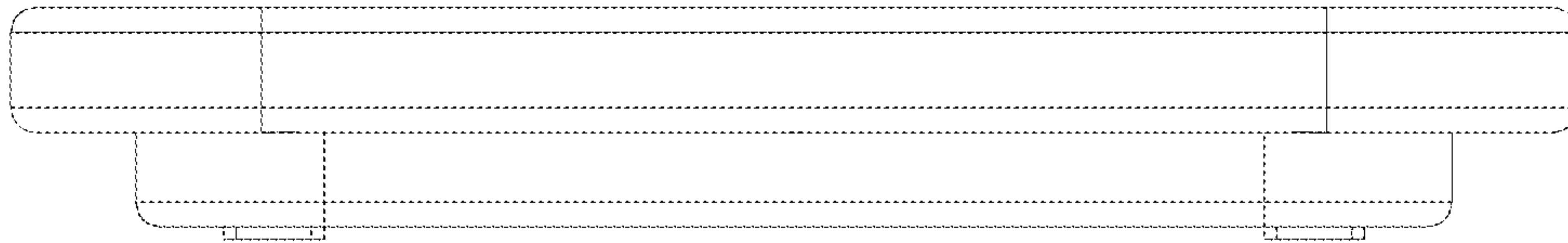


FIG.1

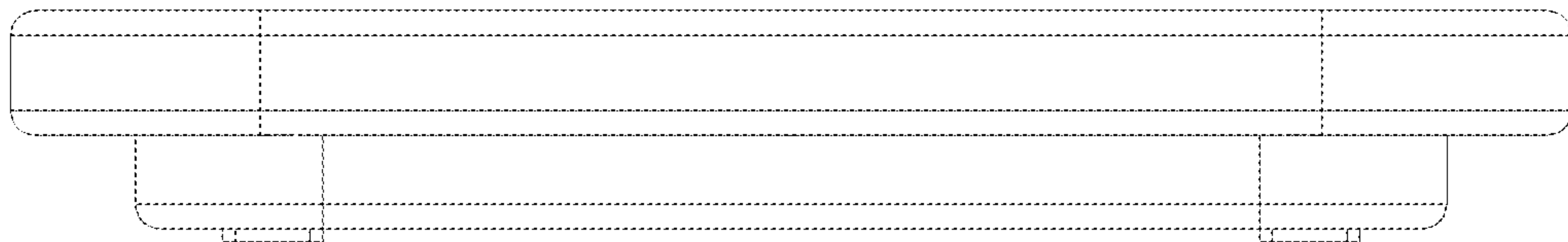


FIG. 2

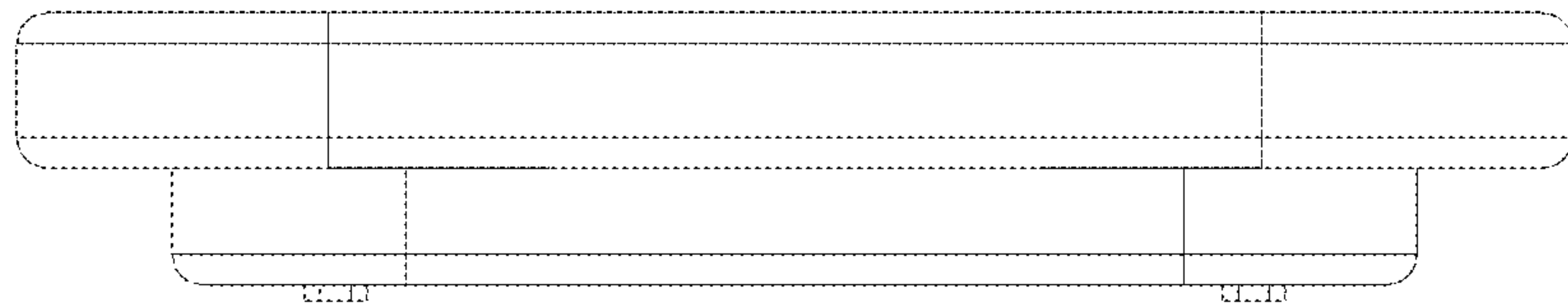


FIG.3

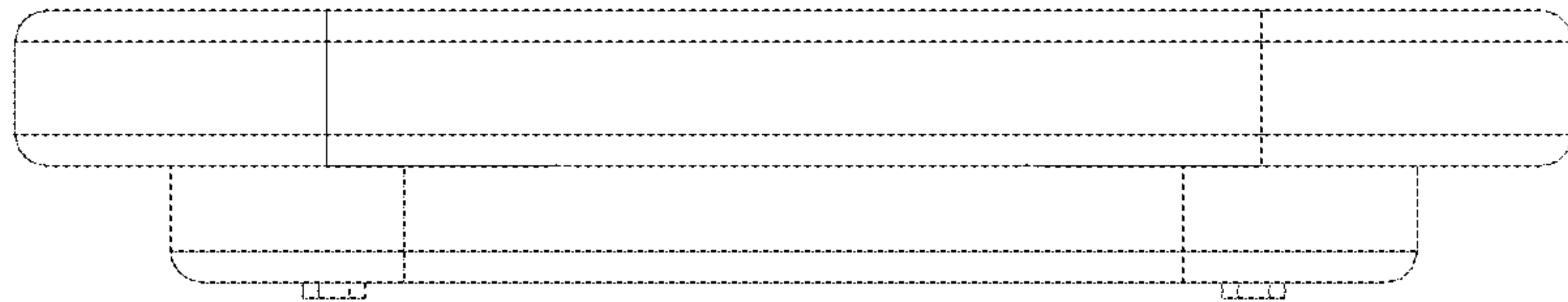


FIG.4

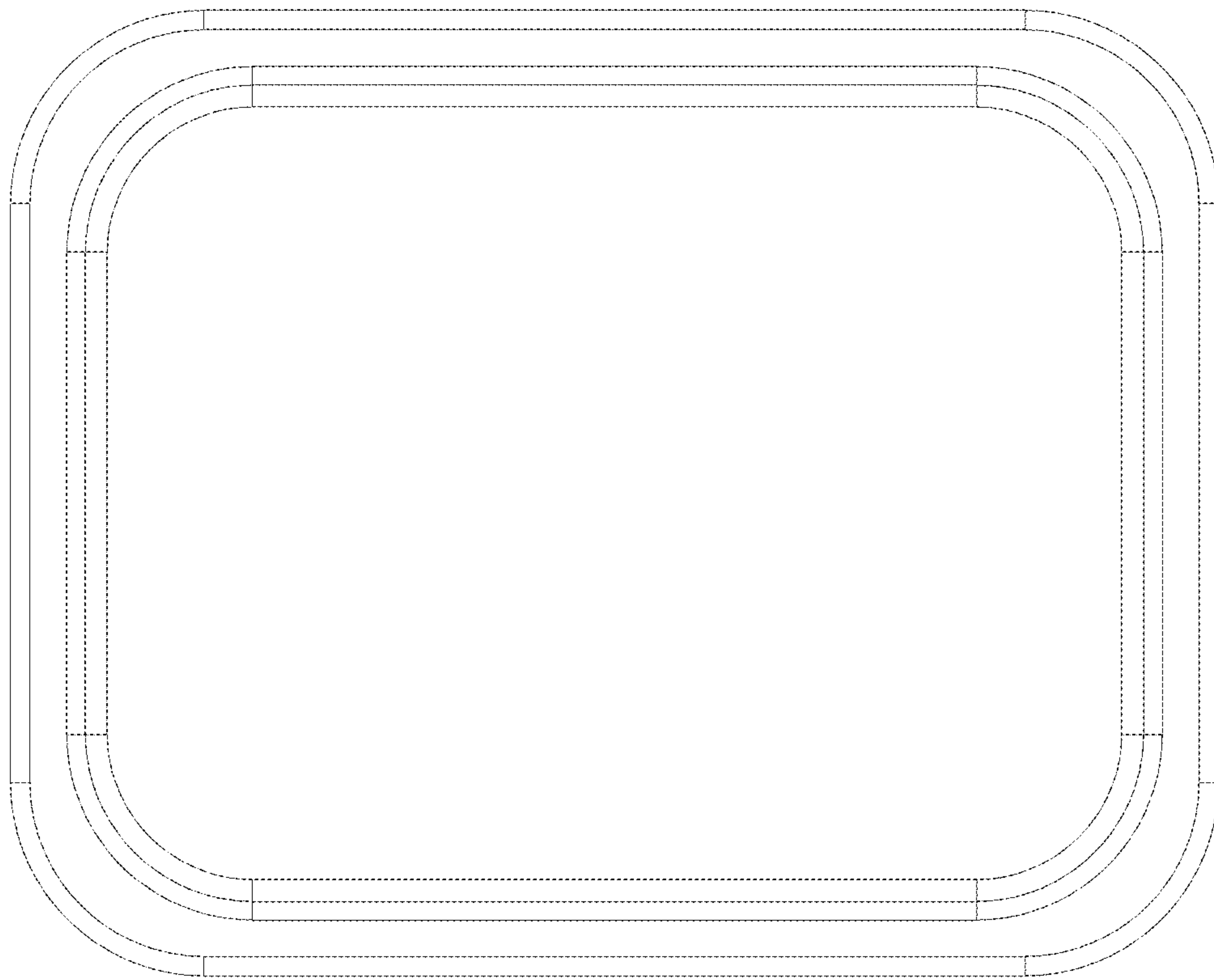


FIG.5

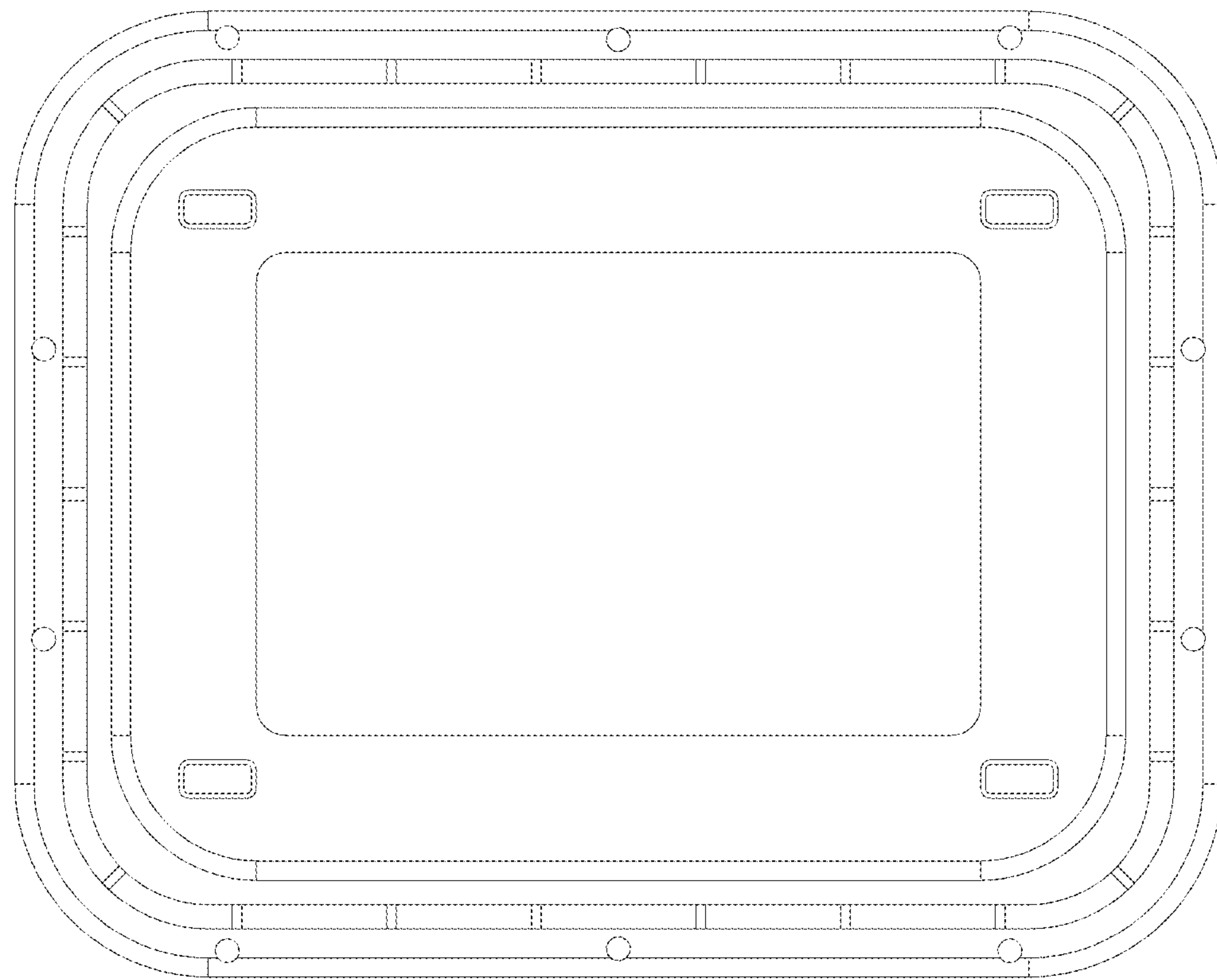


FIG.6

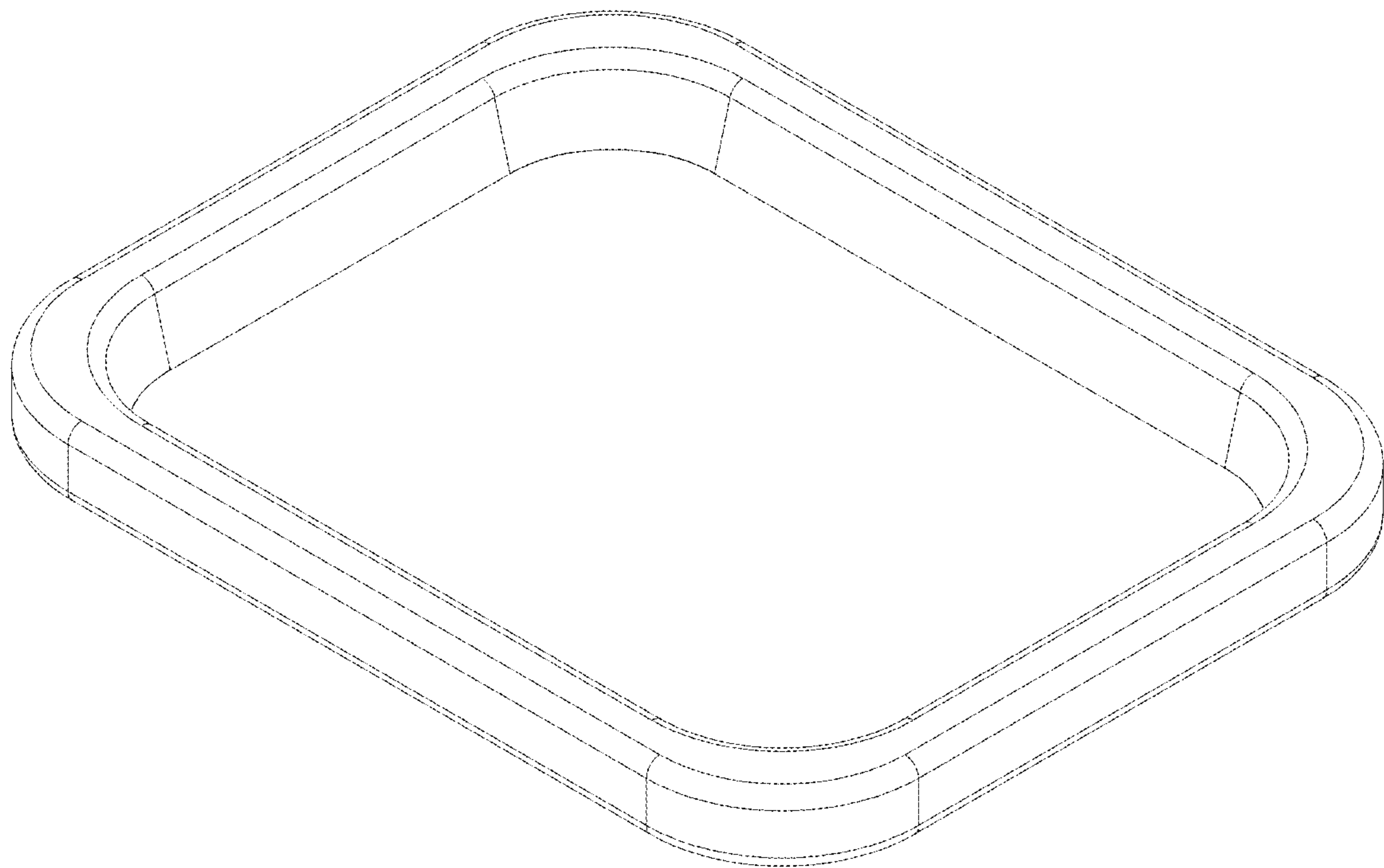


FIG.7

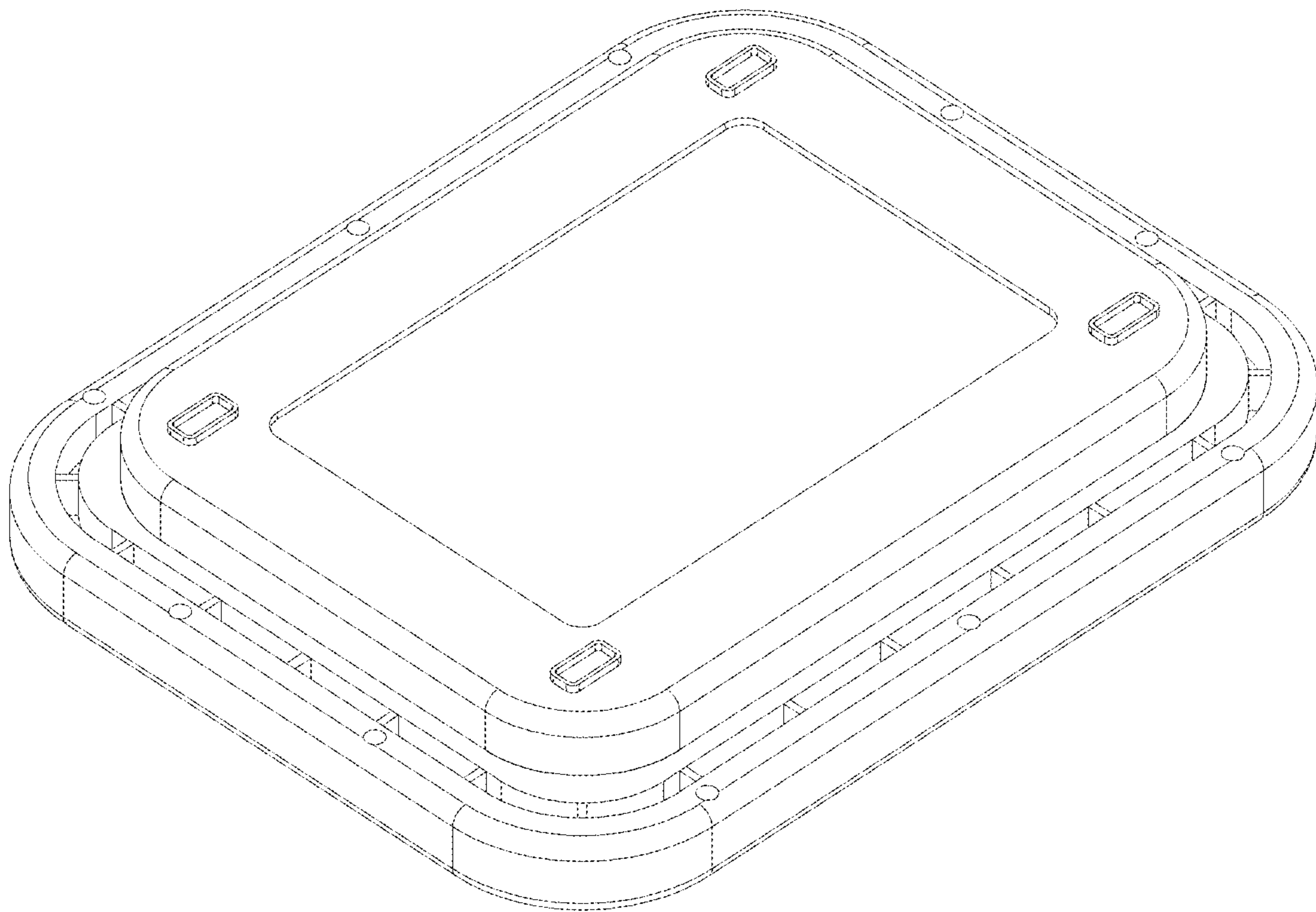


FIG.8