



US00D968475S

(12) **United States Design Patent**
Timonen et al.

(10) **Patent No.:** **US D968,475 S**
(45) **Date of Patent:** **** Nov. 1, 2022**

(54) **WHEEL LOADER**
(71) Applicant: **Sandvik Mining and Construction Oy, Tampere (FI)**
(72) Inventors: **Petri Timonen, Tampere (FI); Petri Rantanen, Tampere (FI); Mikko Kitula, Tampere (FI); Tiina Arrälä, Tampere (FI); Jussi Puura, Tampere (FI); Lauri Siivonen, Tampere (FI)**
(73) Assignee: **Sandvik Mining and Construction Oy, Tampere (FI)**
(**) Term: **15 Years**
(21) Appl. No.: **29/774,141**
(22) Filed: **Mar. 15, 2021**

D652,062 S * 1/2012 Hiraoka D15/23
D693,853 S 11/2013 Hiraoka et al.
D819,087 S * 5/2018 Ulmefors D15/25
D853,452 S 7/2019 Jilbert et al.
D904,467 S * 12/2020 Iwamoto E02F 9/0841
D15/23
D915,469 S * 4/2021 Ninomiya D15/25
D936,707 S * 11/2021 Kim D15/25

FOREIGN PATENT DOCUMENTS

AU 198607346 4/1986
AU 138603 10/1998
AU 318076 4/2007
EM 000774179-0001 8/2007
EM 000990627-0005 8/2008
EM 001289920-0014 8/2011
EM 002539254-0010 9/2014
EM 003819077-0001 7/2017

* cited by examiner

Primary Examiner — Mark A Goodwin

(74) *Attorney, Agent, or Firm* — Banner & Witcoff, Ltd.

(30) **Foreign Application Priority Data**

Sep. 15, 2020 (EM) 008171292

(51) **LOC (13) Cl.** **12-09**

(52) **U.S. Cl.**
USPC **D15/25**

(58) **Field of Classification Search**
USPC D15/10, 22–26, 33, 28, 31; D21/431;
37/403, 409, 442, 443; 180/89.1, 89.12,
180/89.13; 296/190.03; 414/685, 694,
414/722, 724
CPC E02F 9/0841; E02F 3/3411; E02F 3/76;
E02F 3/34; E02F 3/00; E02F 7/00; B62D
21/186; B62D 53/028
See application file for complete search history.

(56) **References Cited**

U.S. PATENT DOCUMENTS

D626,573 S 11/2010 Koetting et al.
D652,061 S * 1/2012 Hiraoka D15/23

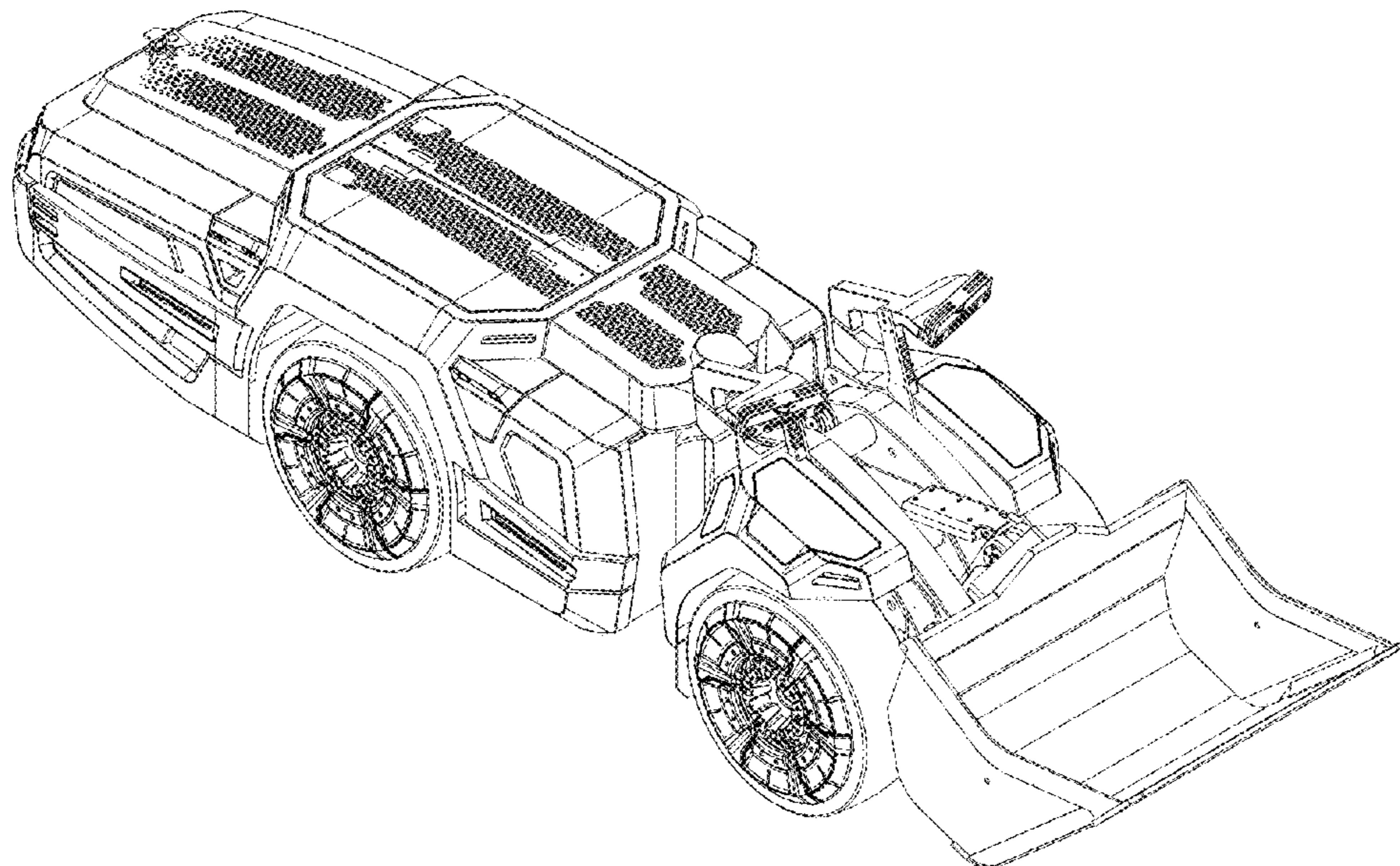
(57) **CLAIM**

The ornamental design for a wheel loader, as shown and described.

DESCRIPTION

FIG. 1 is a perspective front view of wheel loader showing our new design;
FIG. 2 is a perspective rear view thereof;
FIG. 3 is a front view thereof;
FIG. 4 is a rear view thereof;
FIG. 5 is a right side view thereof;
FIG. 6 is a left side view thereof; and,
FIG. 7 is a top plan view thereof.

1 Claim, 7 Drawing Sheets



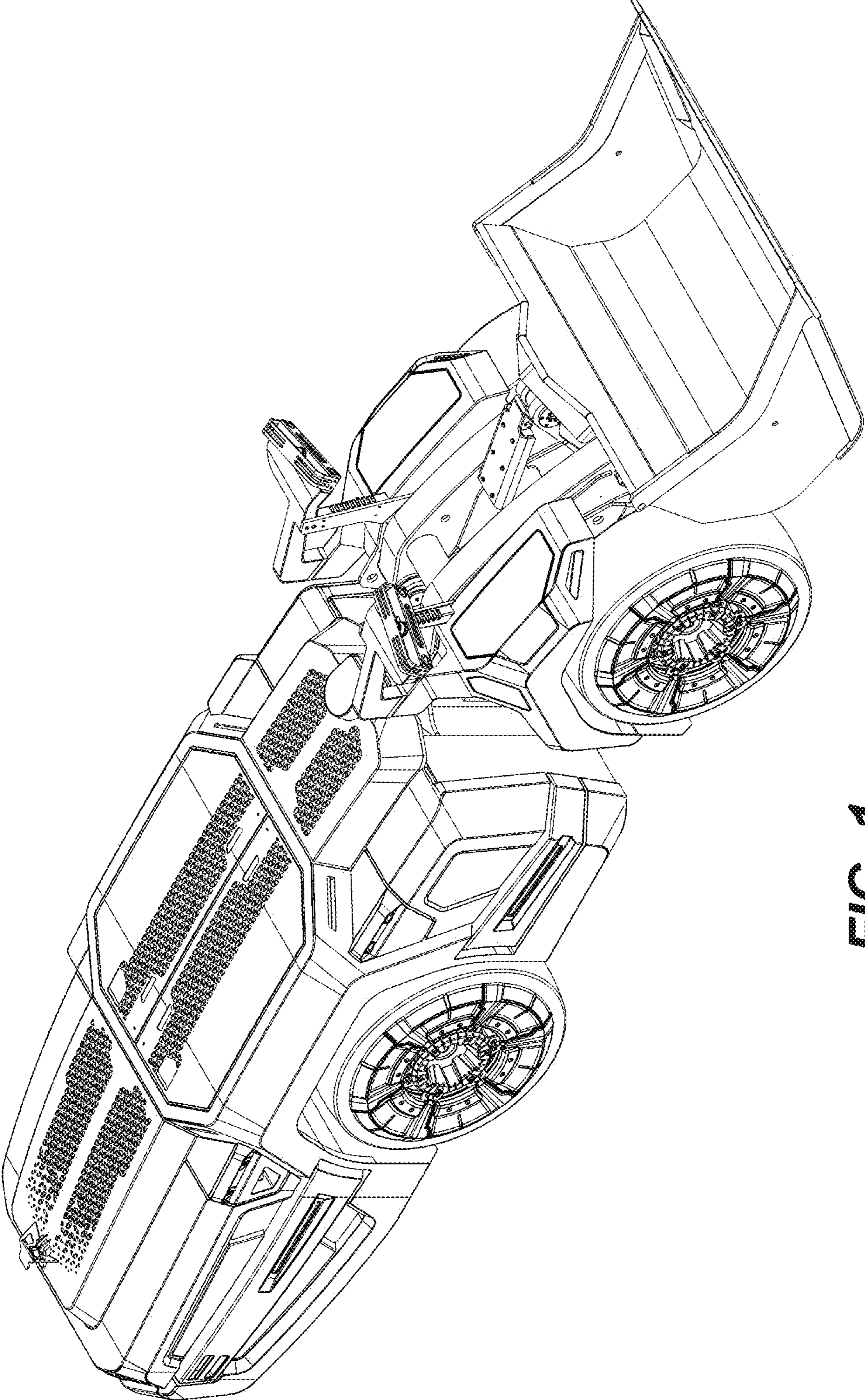


FIG. 1

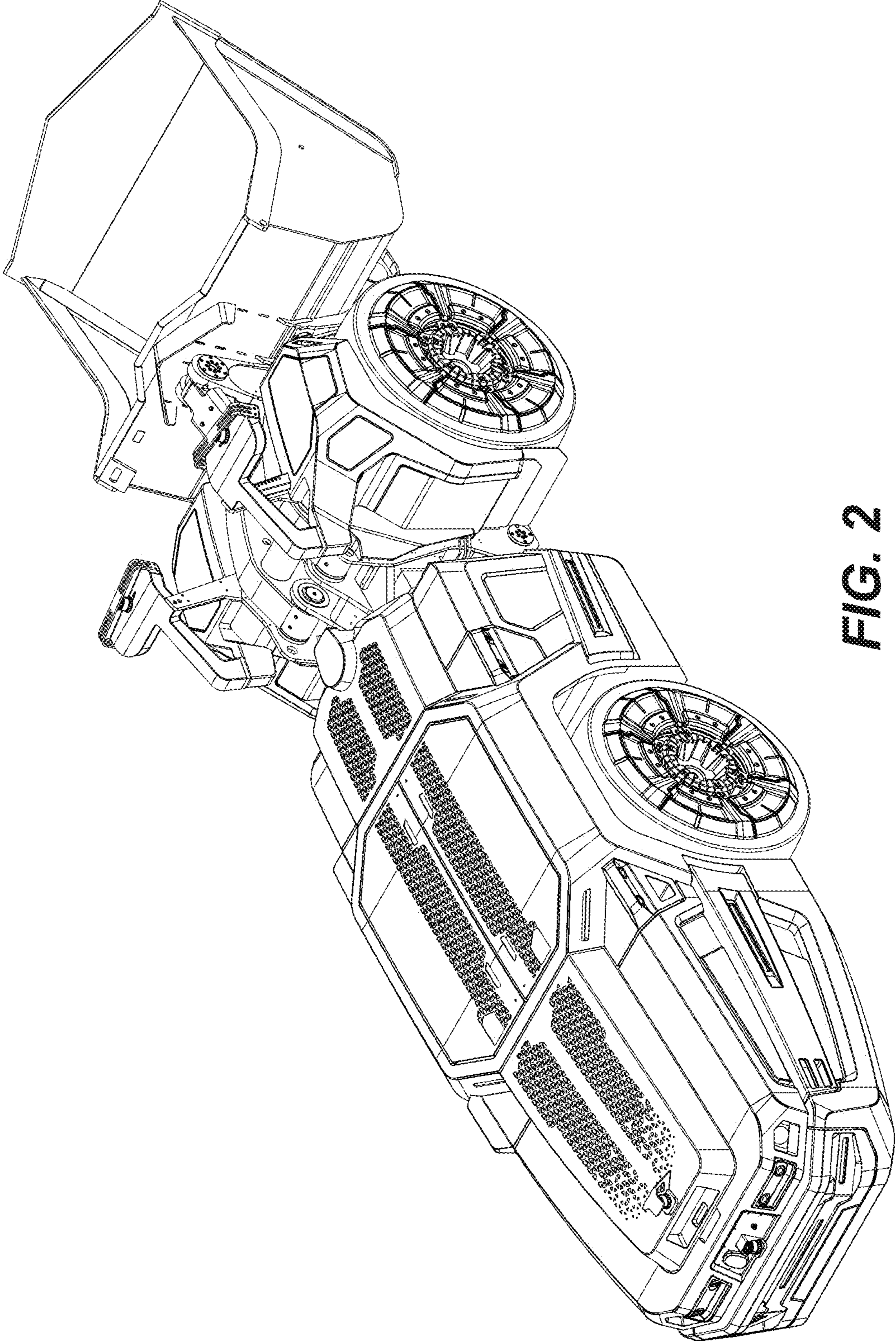


FIG. 2

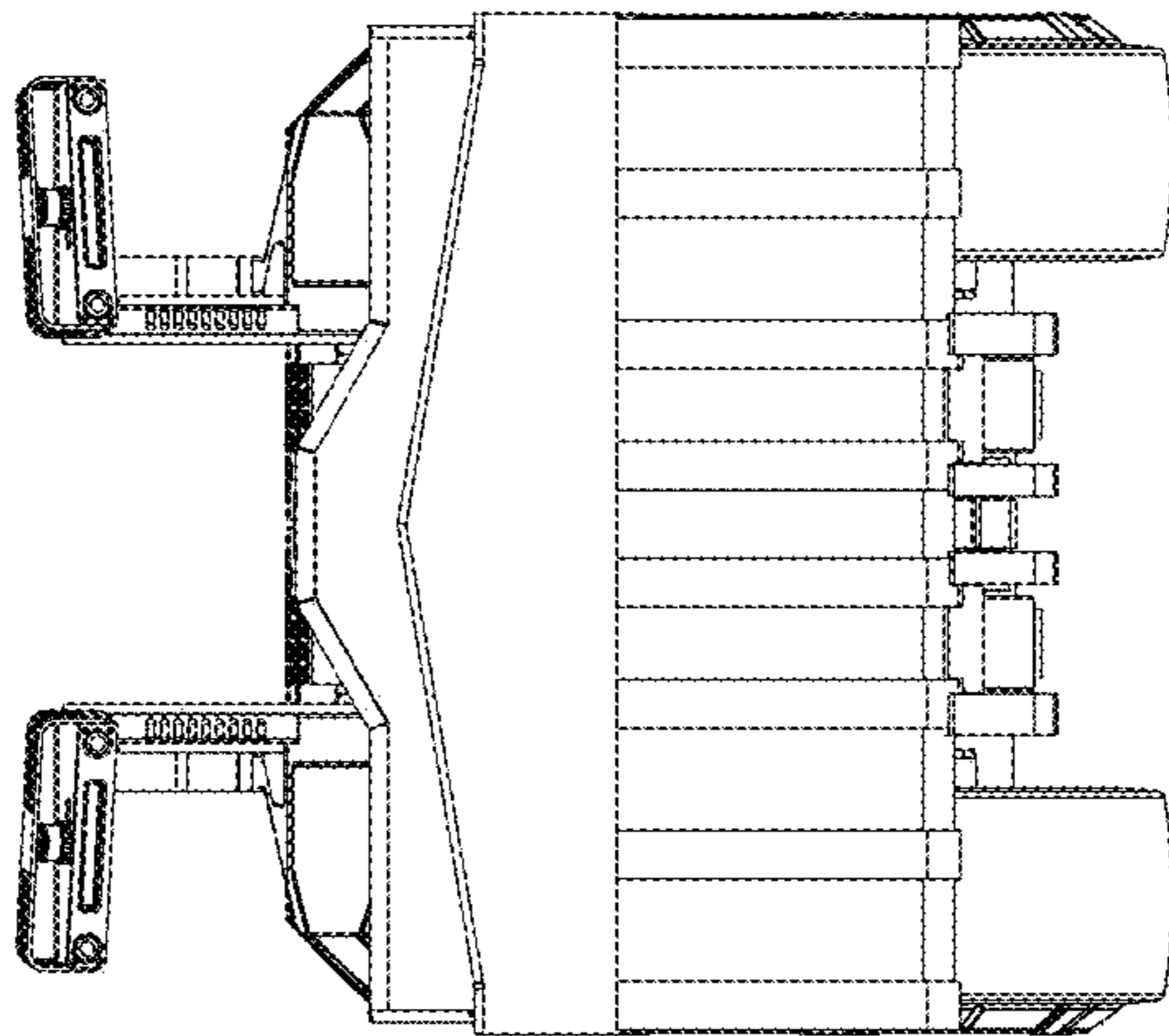


FIG. 3

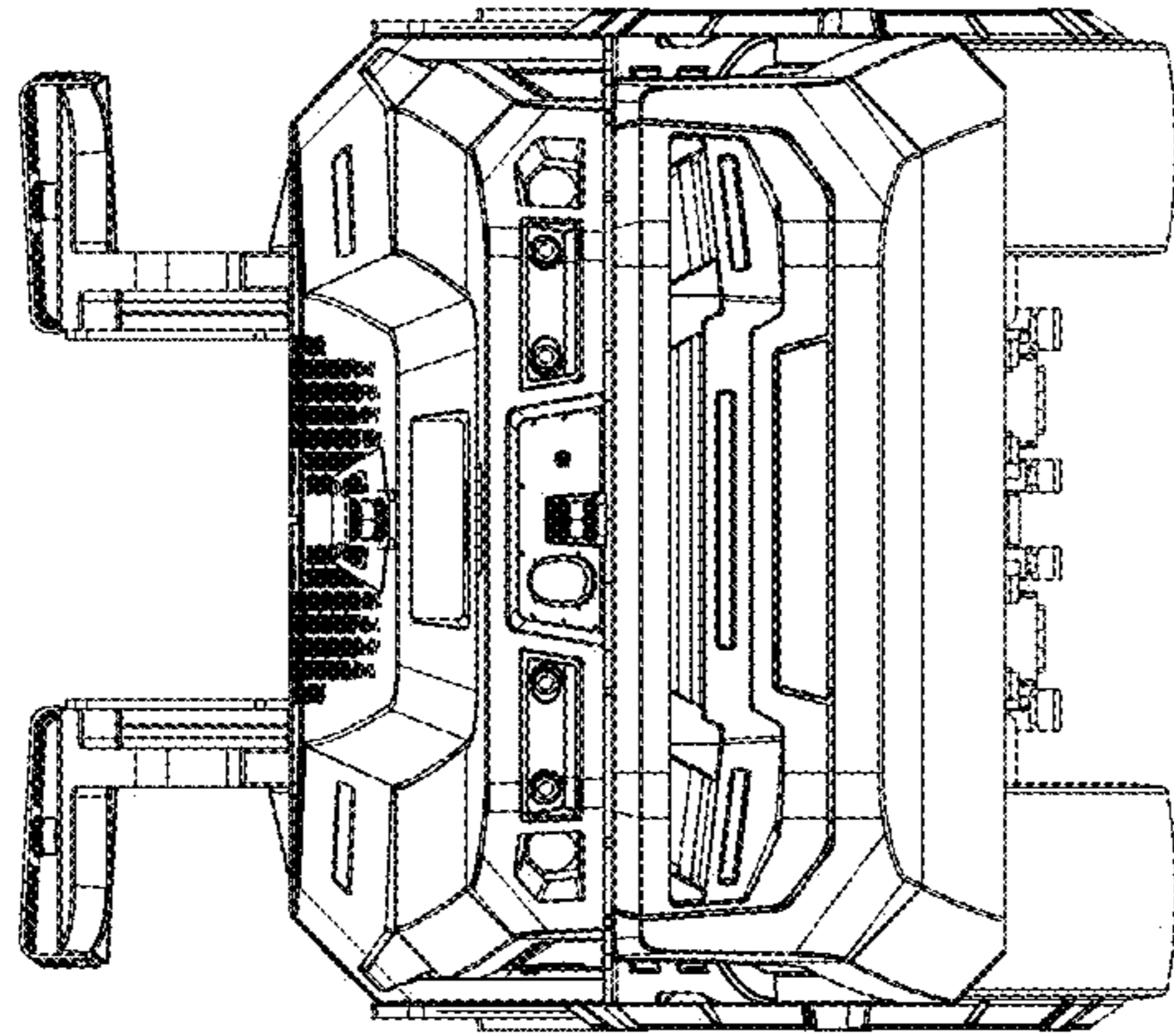


FIG. 4

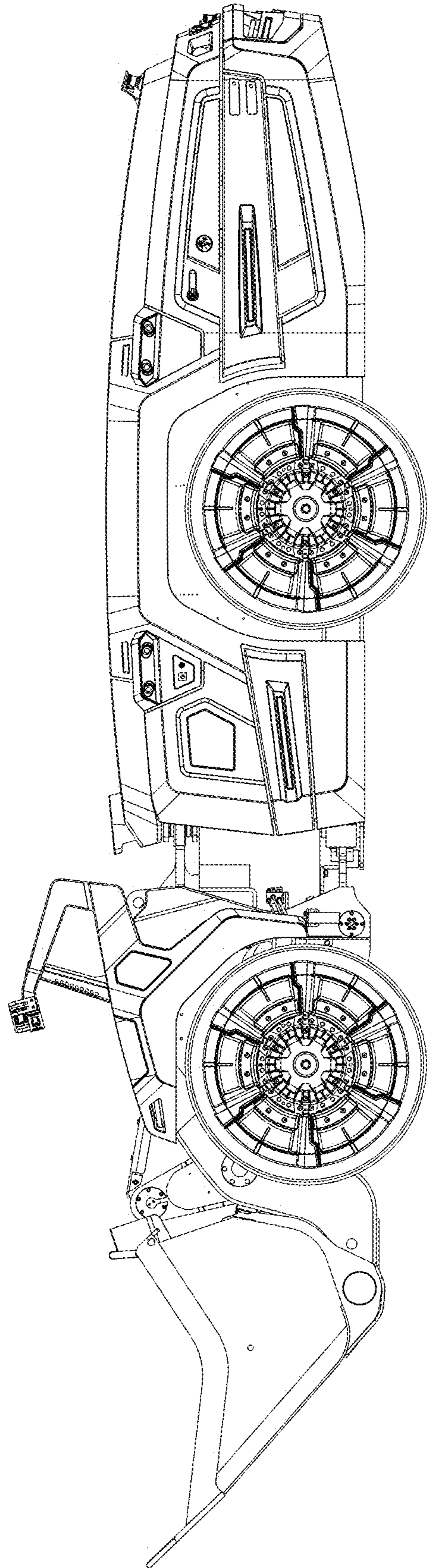


FIG. 5

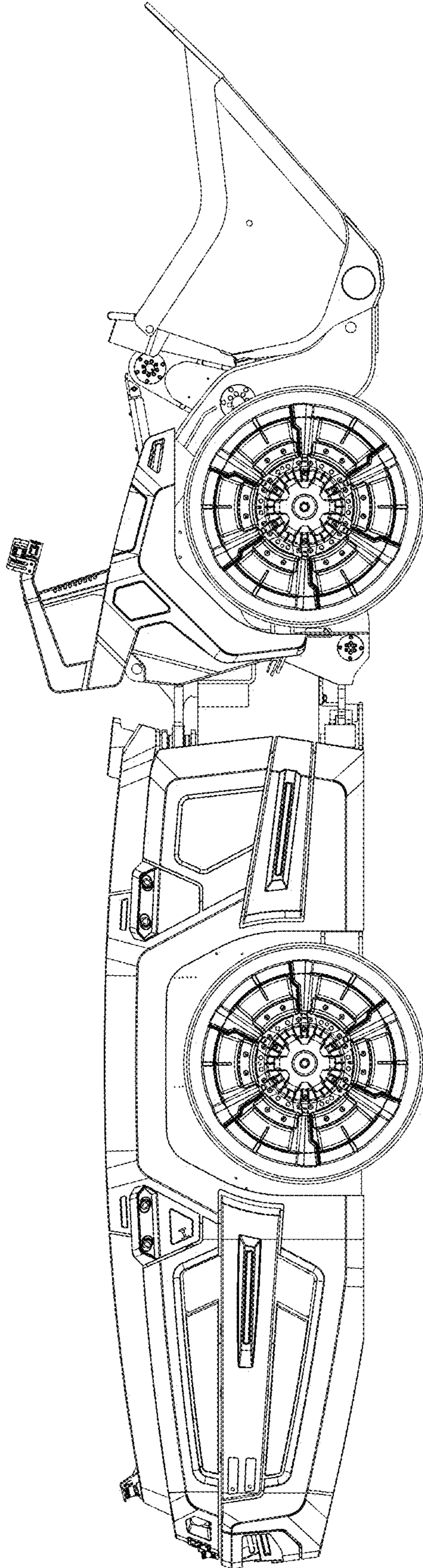


FIG. 6

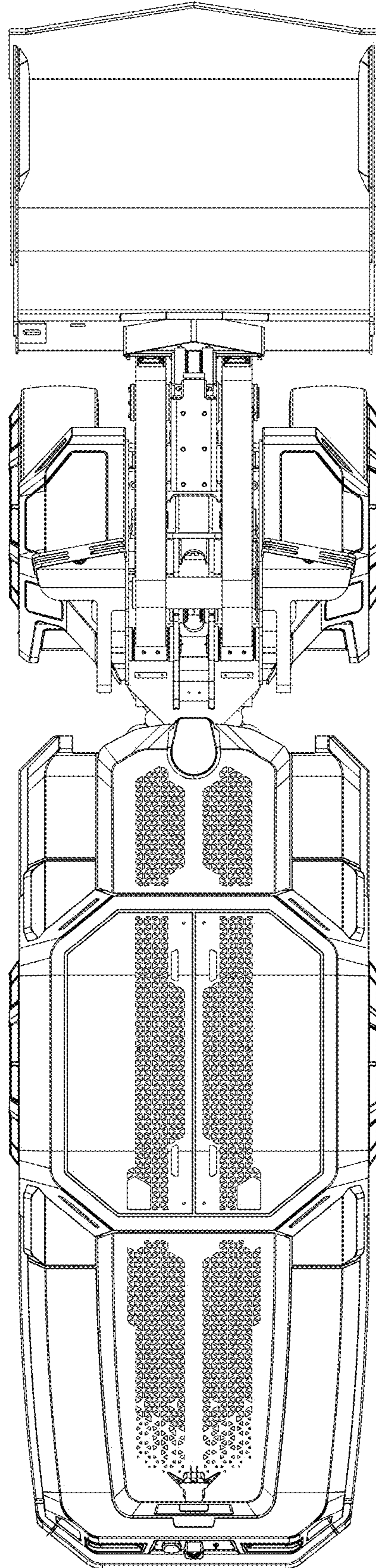


FIG. 7

UNITED STATES PATENT AND TRADEMARK OFFICE
CERTIFICATE OF CORRECTION

PATENT NO. : D968,475 S
APPLICATION NO. : 29/774141
DATED : November 1, 2022
INVENTOR(S) : Petri Timonen et al.

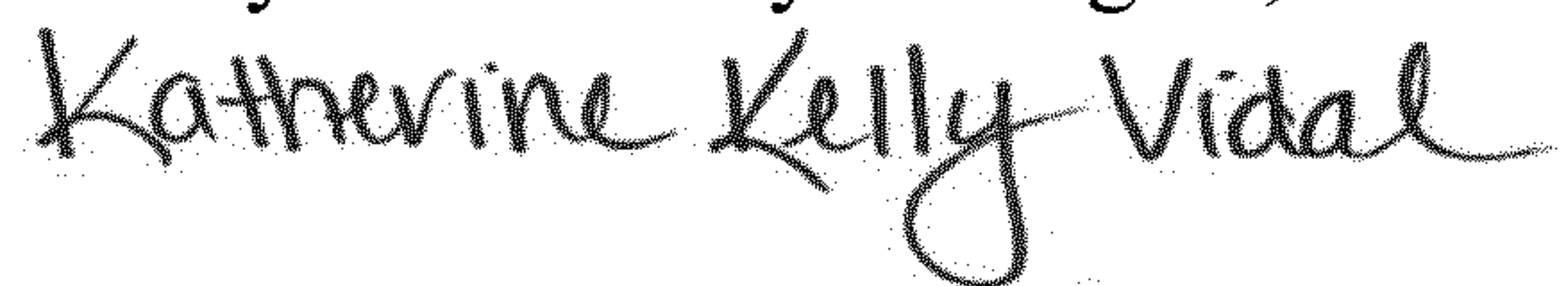
Page 1 of 1

It is certified that error appears in the above-identified patent and that said Letters Patent is hereby corrected as shown below:

On the Title Page

At (51) – LOC (13) Cl.: “12-09” should be “15-04”

Signed and Sealed this
Twenty-second Day of August, 2023



Katherine Kelly Vidal
Director of the United States Patent and Trademark Office