

US00D968472S

(12) **United States Design Patent** (10) **Patent No.:** **US D968,472 S**
Kneer et al. (45) **Date of Patent:** **** Nov. 1, 2022**

(54) **PUMP**

(56) **References Cited**

(71) Applicant: **PSG GERMANY GMBH**, Duisburg (DE)
(72) Inventors: **Andreas Kneer**, Rheinberg (DE);
Sascha Westphal, Kamp-Lintfort (DE)
(73) Assignee: **PSG Germany GmbH**, Duisburg (DE)
(**) Term: **15 Years**
(21) Appl. No.: **29/778,953**
(22) Filed: **Apr. 15, 2021**

U.S. PATENT DOCUMENTS

D294,947 S * 3/1988 Wilden D15/7
D380,218 S * 6/1997 McKee D15/7
D388,796 S * 1/1998 Conti D15/7
D388,797 S * 1/1998 Conti D15/7
D400,210 S * 10/1998 Reynolds D15/7
D435,855 S * 1/2001 Donelson D15/7
D484,145 S * 12/2003 Roberts D15/7
D515,101 S * 2/2006 Wiechers D15/7
D516,583 S 3/2006 Strong
D555,089 S 11/2007 Lutz
D591,310 S 4/2009 Soja
D647,537 S 10/2011 Mehnert
D667,465 S * 9/2012 Headley D15/7
D674,815 S * 1/2013 Headley D15/7

(Continued)

Related U.S. Application Data

(62) Division of application No. 35/507,027, filed on Dec. 6, 2018 (U.S. filing date under 35 U.S.C. 384), and having an international filing date of Dec. 6, 2018, now Pat. No. Des. 923,060.

FOREIGN PATENT DOCUMENTS

DE 8432047 U1 2/1985
DE 6724104 A1 2/1989

(Continued)

(30) **Foreign Application Priority Data**

Aug. 9, 2018 (EM) 005594538-0001
Aug. 9, 2018 (EM) 005594538-0002
Aug. 9, 2018 (EM) 005594538-0003
Aug. 9, 2018 (EM) 005594538-0004
Aug. 9, 2018 (EM) 005594538-0005

Primary Examiner — Richard E Chilcot

(74) *Attorney, Agent, or Firm* — Fish & Richardson P.C.

(51) **LOC (13) Cl.** **15-02**
(52) **U.S. Cl.**
USPC **D15/7**
CPC **F02M 37/00** (2013.01)

(57) **CLAIM**

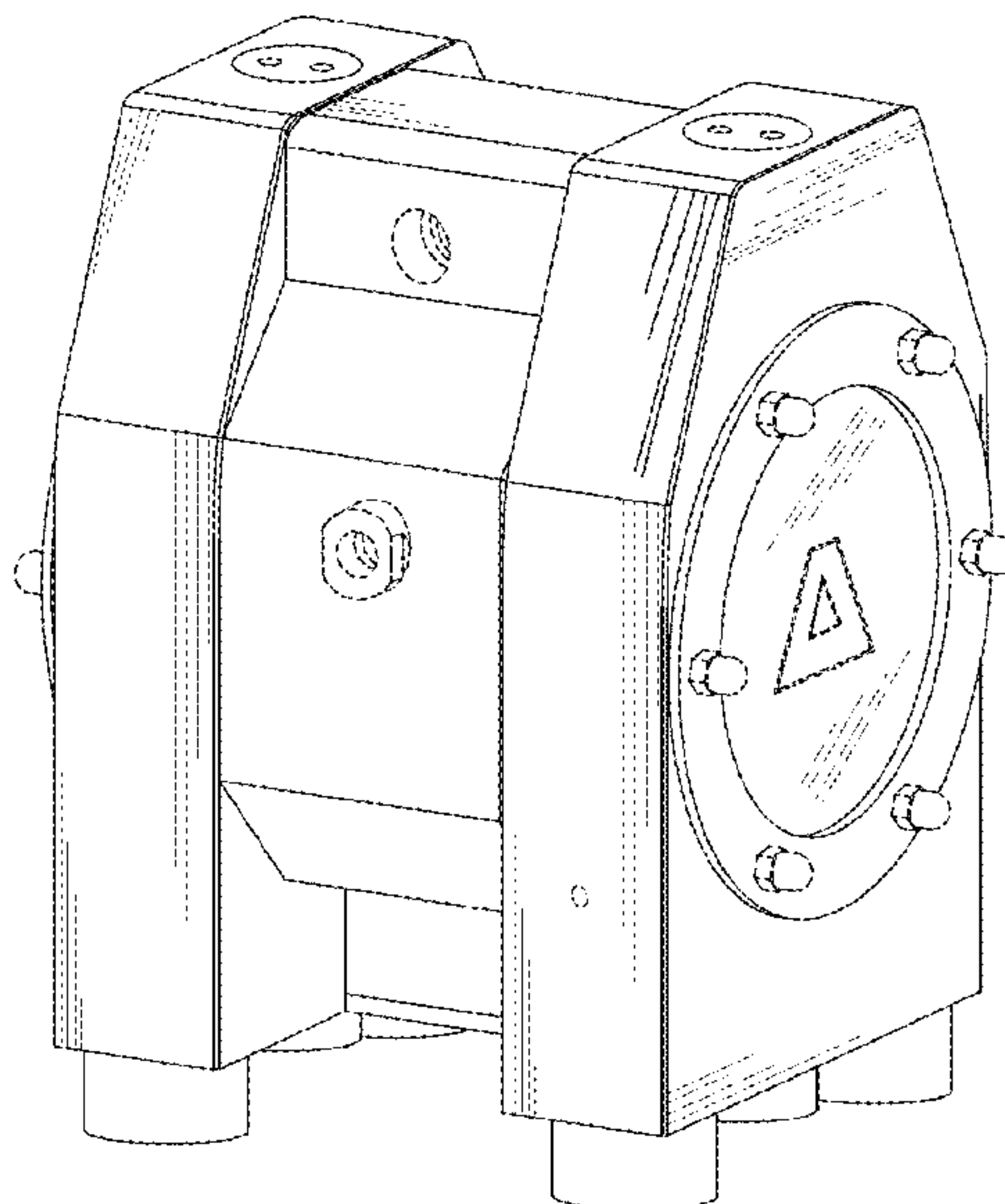
The ornamental design for a pump, as shown and described.

(58) **Field of Classification Search**
USPC D15/7-9, 231, 225, 232; 417/235, 265,
417/321, 355, 358, 363, 359, 410.1, 415,
417/416, 405, 900, 269, 539, 232, 60;
60/408, 412
CPC F02M 37/04; F02M 37/14; F04B 53/92;
F04B 1/005; F04B 43/0736
See application file for complete search history.

DESCRIPTION

FIG. 1 is a perspective view of a pump;
FIG. 2 is a front view thereof;
FIG. 3 is a back view thereof;
FIG. 4 is a top view thereof;
FIG. 5 is a bottom view thereof;
FIG. 6 is a right side view thereof; and,
FIG. 7 is a left side view thereof.
The broken lines in the drawings depict portions of the pump that form no part of the claimed design.

1 Claim, 7 Drawing Sheets



US D968,472 S

(56)

References Cited

U.S. PATENT DOCUMENTS

D675,231	S	*	1/2013	Headley	D15/7
D676,063	S		2/2013	Soja		
D676,462	S		2/2013	Soja		
D677,282	S	*	3/2013	Soja	D15/7
D677,283	S		3/2013	Soja		
D682,316	S	*	5/2013	Rogne	D15/7
D692,923	S	*	11/2013	Conrad	D15/7
9,028,224	B2		5/2015	Headley et al.		
9,309,885	B2		4/2016	Blechschiidt		
D780,227	S	*	2/2017	Hines	D15/7
D781,922	S	*	3/2017	Suwabe	D15/7
D781,923	S	*	3/2017	Suwabe	D15/7
D781,924	S	*	3/2017	Araki	D15/7
D782,541	S	*	3/2017	Hines	D15/7
D797,154	S		9/2017	Fujiwara		
D817,360	S	*	5/2018	Dietzsch	D15/7
D822,067	S	*	7/2018	Hines	D15/7
D822,719	S	*	7/2018	Hines	D15/7
D822,720	S	*	7/2018	Hines	D15/7
D861,043	S	*	9/2019	Suwabe	F02M 37/04 D15/7
D861,734	S		10/2019	Hanselman et al.		
D865,005	S		10/2019	Hanselman et al.		
D874,522	S		2/2020	Beukenberg et al.		
D923,060	S	*	6/2021	Kneer	F02M 37/14 D15/7

11,085,433	B2	*	8/2021	Abel	F04B 43/0045
2002/0039535	A1		4/2002	Budde		
2007/0065305	A1	*	3/2007	Budde	F04B 53/1002 417/395
2016/0215679	A1		7/2016	Pawellek		
2017/0254253	A1		9/2017	Hoffmann et al.		
2017/0335844	A1		11/2017	Blechschiidt		
2017/0370274	A1		12/2017	Hoffmann et al.		
2021/0355934	A1	*	11/2021	Nettesheim	F04B 53/1065
2021/0355936	A1	*	11/2021	Nettesheim	F04B 53/16

FOREIGN PATENT DOCUMENTS

DE	10044868	A1	4/2002
DE	102004045687	A1	3/2006
DE	102015007331	A1	12/2016
EM	0010962910001		3/2009
EM	0010962910002		3/2009
EM	0025377870001		10/2014
EM	0025377870002		10/2014
EM	0025377870003		10/2014
EM	0025377870004		10/2014
EM	0025377870005		10/2014
EM	0025377870006		10/2014
EM	0053012640001		6/2018
EM	0053012640002		6/2018
EM	0053012640003		6/2018
EM	0053012640004		6/2018

* cited by examiner

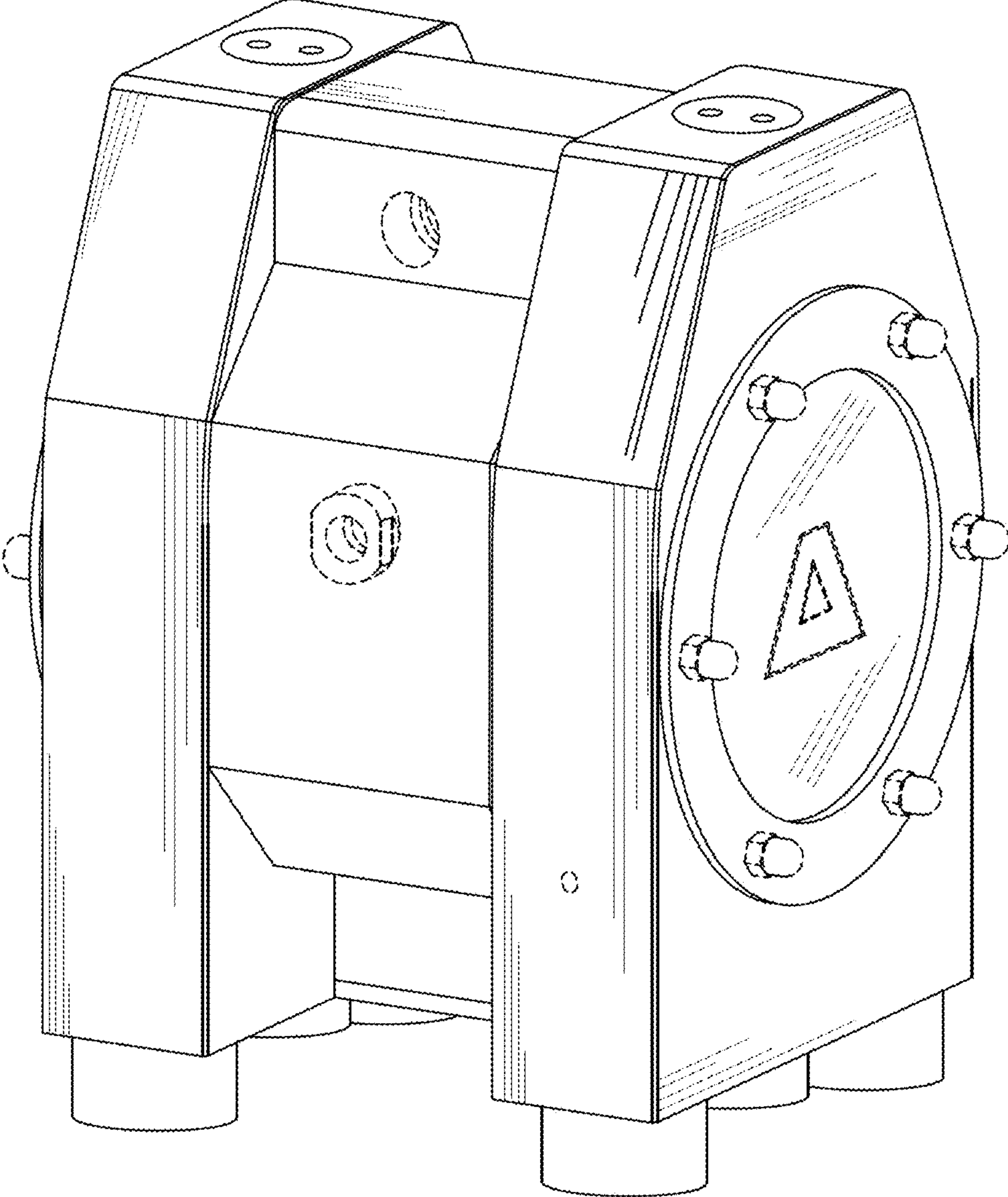


FIG. 1

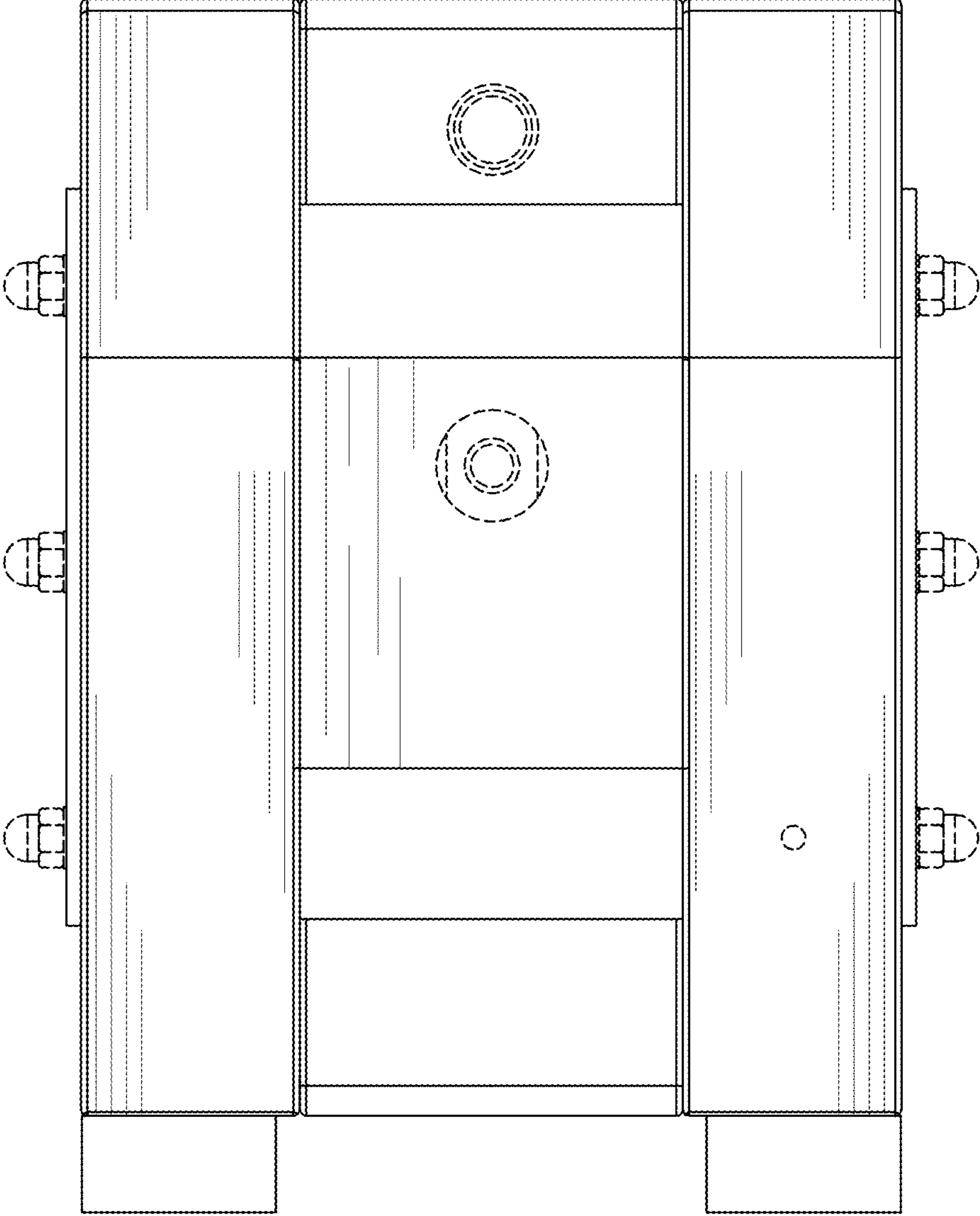


FIG. 2

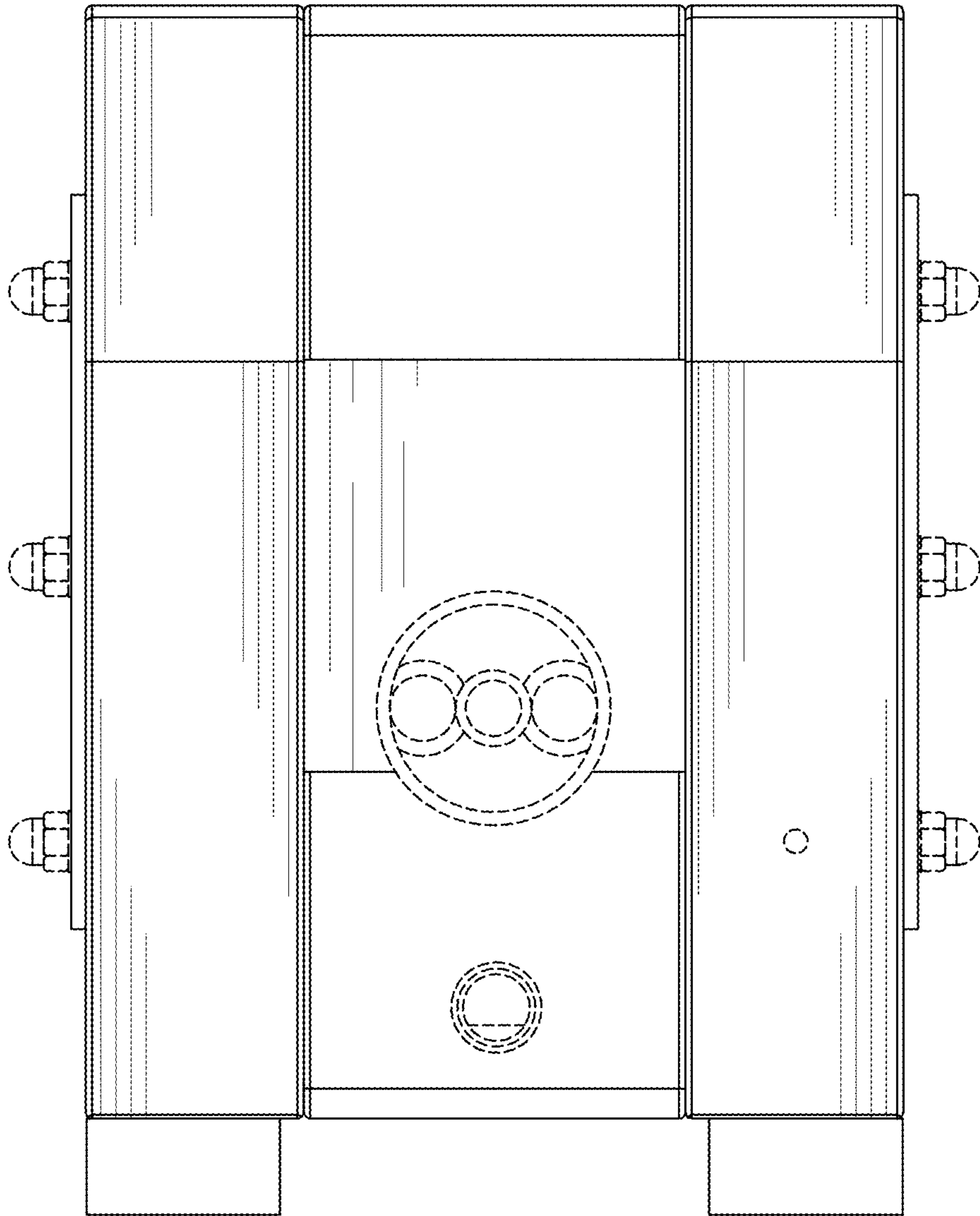


FIG. 3

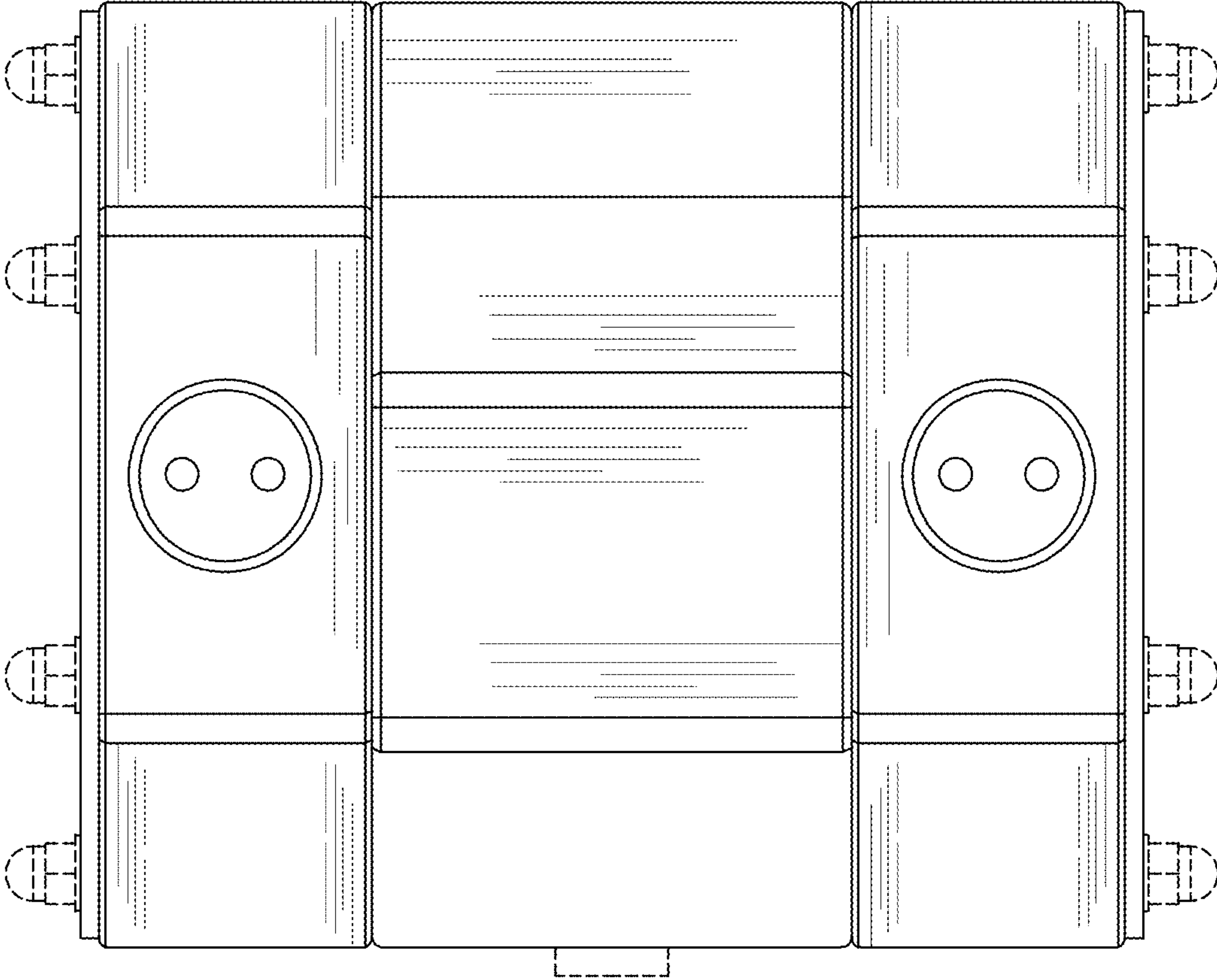


FIG. 4

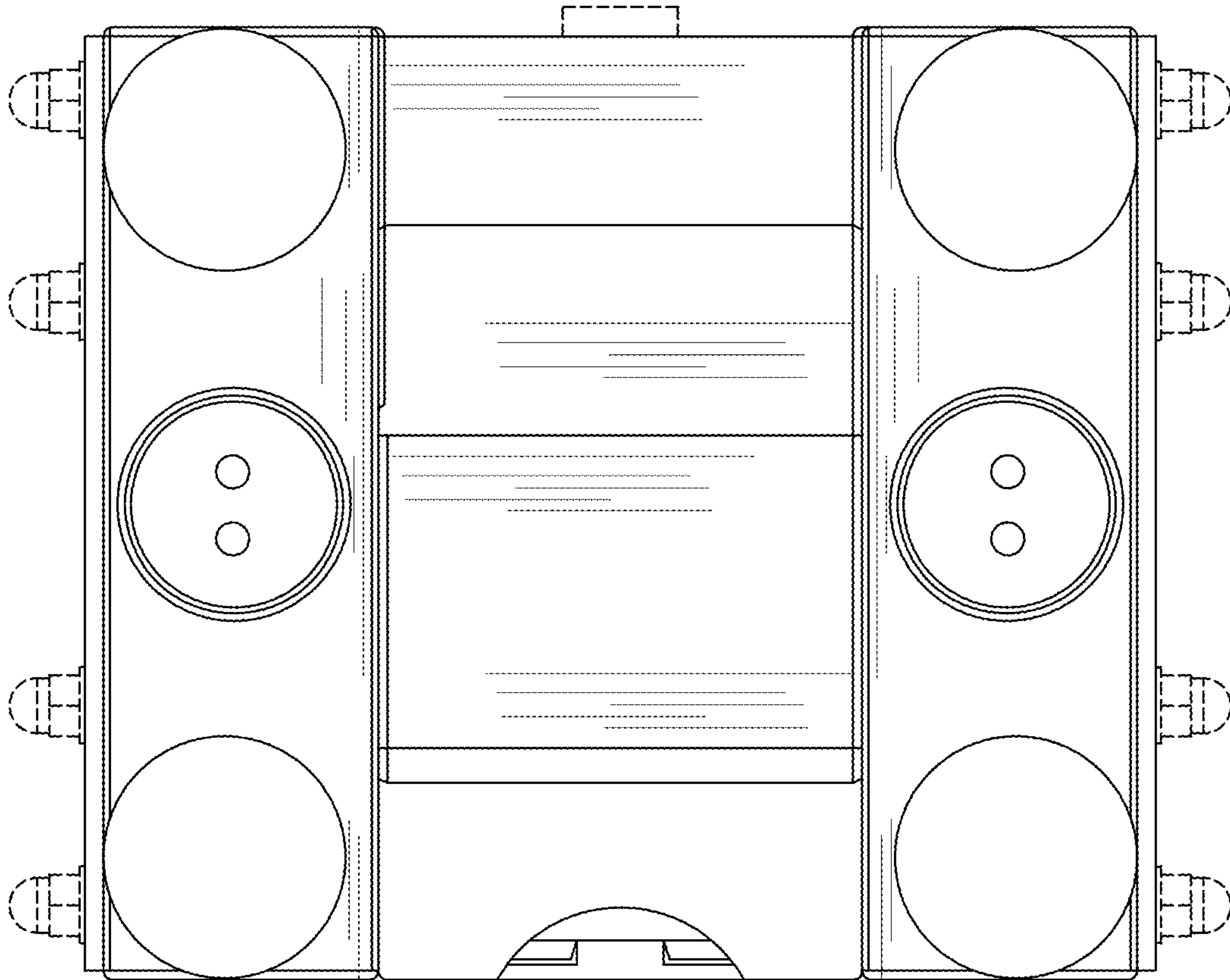


FIG. 5

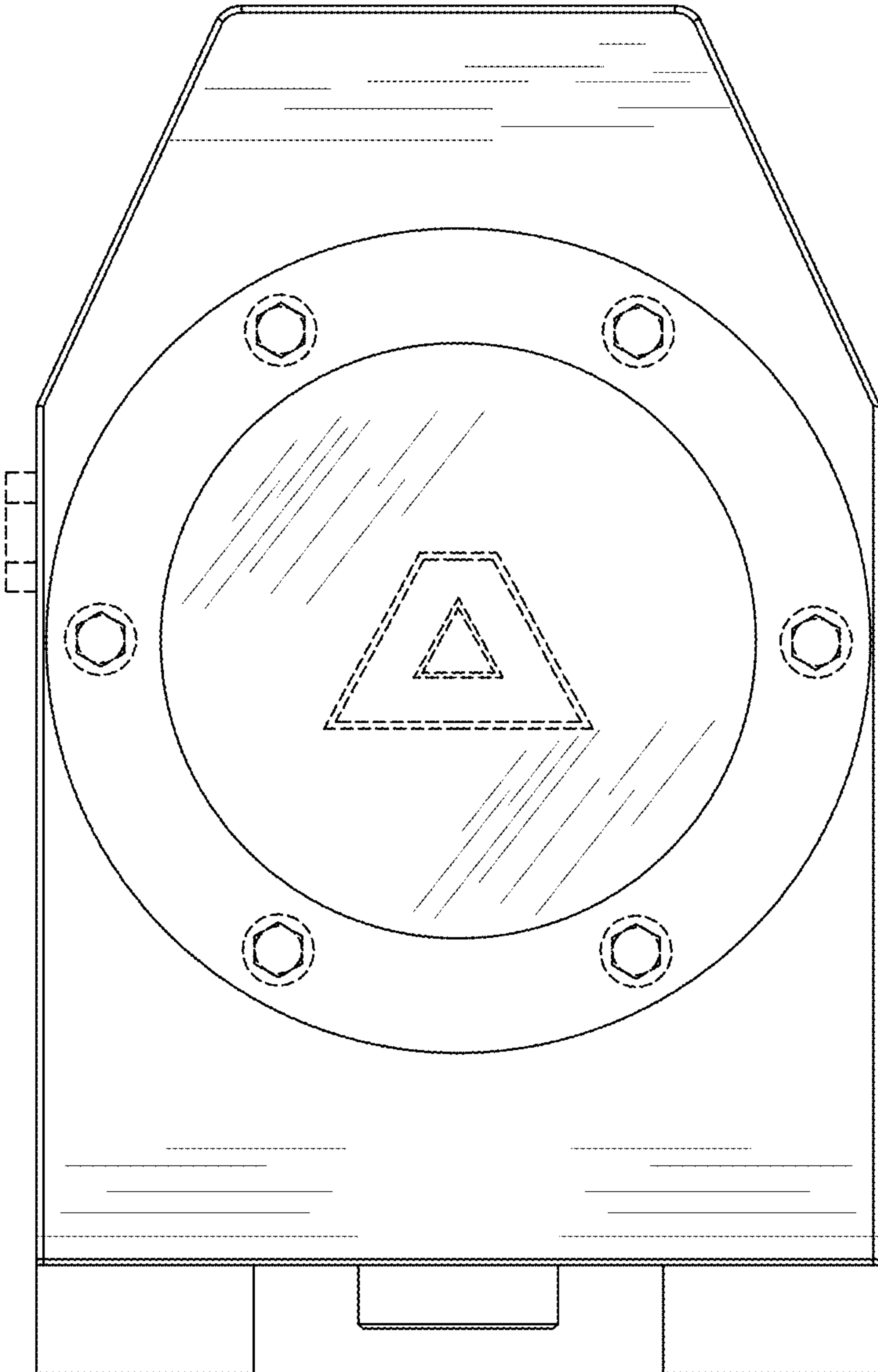


FIG. 6

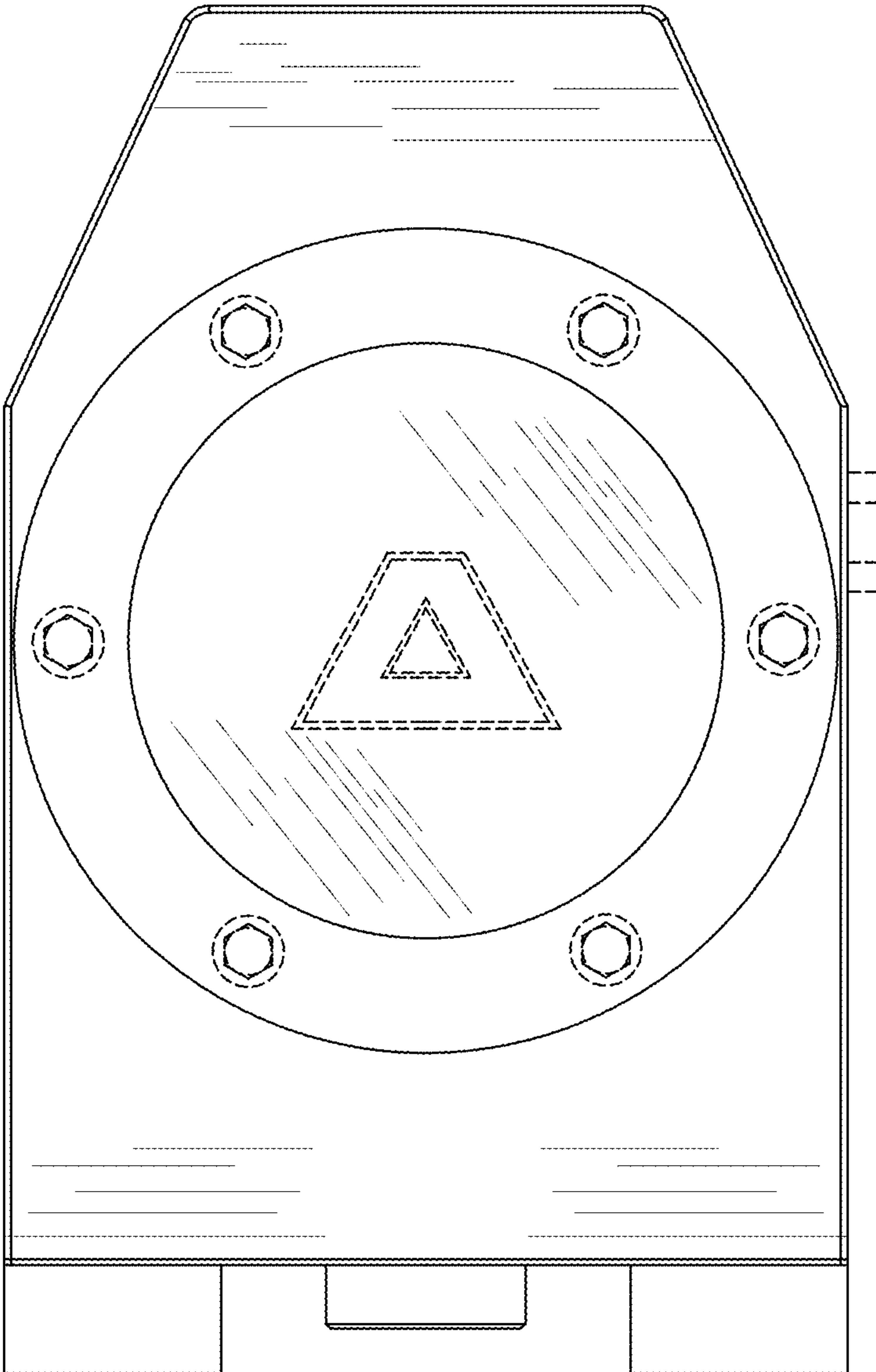


FIG. 7