



US00D968470S

(12) **United States Design Patent** (10) **Patent No.:** **US D968,470 S**  
**Alexander et al.** (45) **Date of Patent:** **\*\* Nov. 1, 2022**

(54) **FLUID PUMP**

D700,624 S \* 3/2014 Taniguchi ..... D15/7  
D770,296 S \* 11/2016 Rothfos ..... D9/574  
D823,899 S \* 7/2018 Alexander ..... D15/7

(71) Applicant: **FNA Group, Inc.**, Pleasant Prairie, WI (US)

(Continued)

(72) Inventors: **Gus Alexander**, Inverness, IL (US);  
**Christopher Alexander**, Park Ridge, IL (US); **Richard Gilpatrick**, Burlington, WI (US)

**OTHER PUBLICATIONS**

Black Duck, Biodegradable Square Bamboo Planters, Comes in 6 Assorted Colors, Measures 5"33 5", (site visited Sep. 3, 2021), Amazon.com, URL<<https://www.amazon.com/-/es/maceteros-cuadros-biodegradables-colores-surtidos/dp/B01N33C5X8/>> (Year: 2021).\*

(Continued)

(73) Assignee: **FNA Group, Inc.**, Pleasant Prairie, WI (US)

(\*\*) Term: **15 Years**

*Primary Examiner* — Calvin E Vansant

*Assistant Examiner* — Mark T. Philipps

(21) Appl. No.: **29/756,147**

(74) *Attorney, Agent, or Firm* — Hanley, Flight & Zimmerman, LLC

(22) Filed: **Oct. 26, 2020**

(51) **LOC (13) Cl.** ..... **15-02**

(57) **CLAIM**

(52) **U.S. Cl.**  
USPC ..... **D15/7**

The ornamental design for a “fluid pump,” as shown and described.

(58) **Field of Classification Search**  
USPC ..... D23/231, 232, 225; D15/7–9; D9/425, D9/431, 432; D11/143, 153, 155; D7/629

**DESCRIPTION**

CPC ..... F04B 53/22; F04B 1/0448; F02M 37/04; F02M 37/14; F04D 29/046; F04D 29/2266  
See application file for complete search history.

FIG. 1 is a front, right perspective view of a body of a fluid pump.

FIG. 2 is a rear, left perspective view of the body of the fluid pump of FIG. 1.

FIG. 3 is a front view of the body of the fluid pump of FIG. 1.

(56) **References Cited**

**U.S. PATENT DOCUMENTS**

2,902,226 A \* 9/1959 Moore ..... F25C 5/046 241/100  
D294,358 S \* 2/1988 Valentin ..... D15/7  
D306,447 S \* 3/1990 Whitley, II ..... D15/7  
D338,018 S \* 8/1993 Willinger ..... D15/8  
D590,706 S \* 4/2009 Doliwa ..... D7/629  
D592,049 S \* 5/2009 Doliwa ..... D7/629  
D646,127 S \* 10/2011 Lindsay ..... D7/629  
D693,371 S \* 11/2013 Orsini ..... D15/7  
D699,762 S \* 2/2014 Alexander ..... D15/7

FIG. 4 is a rear view of the body of the fluid pump of FIG. 1.

FIG. 5 is a left view of the body of the fluid pump of FIG. 1.

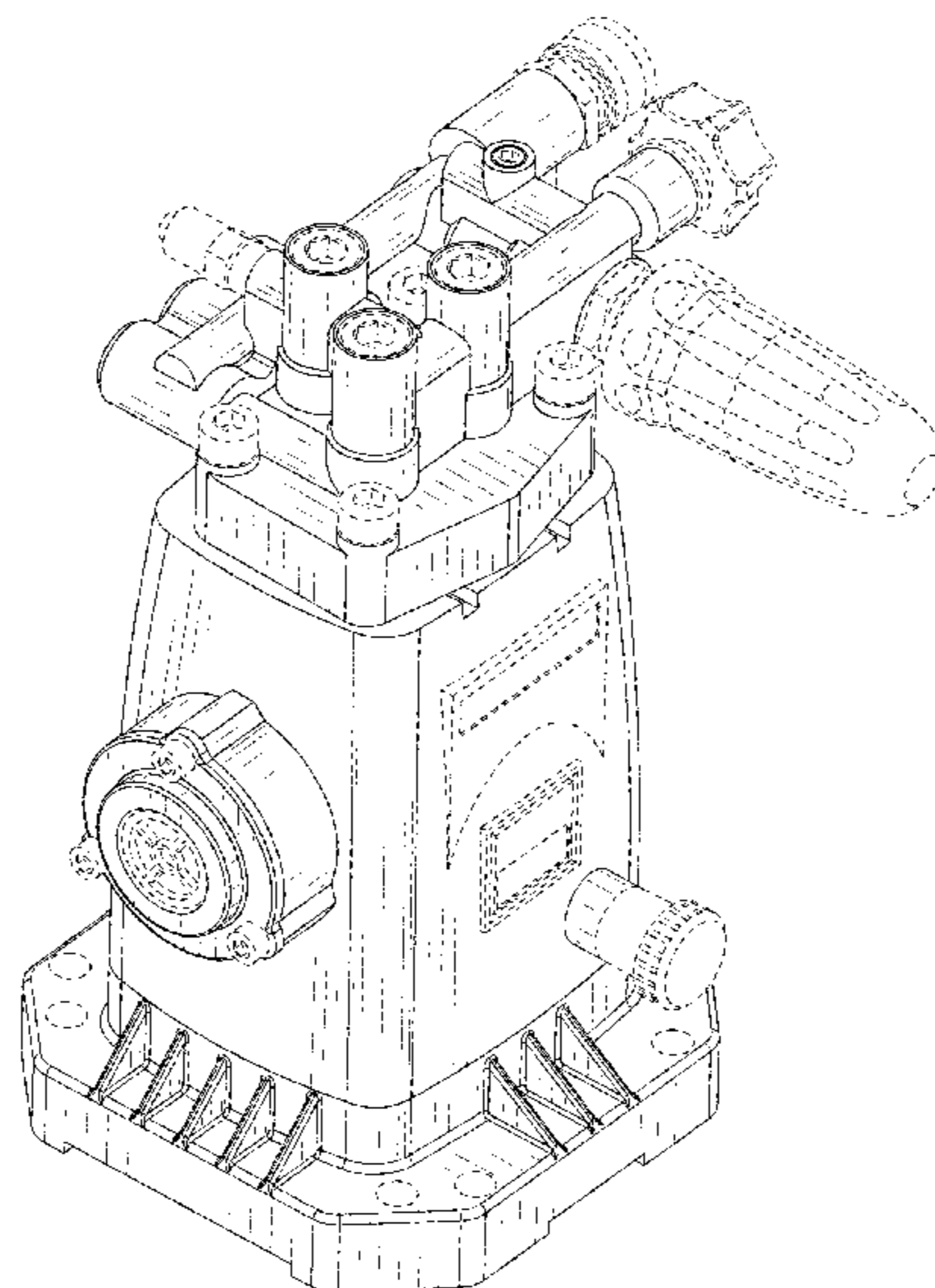
FIG. 6 is a right view of the body of the fluid pump of FIG. 1.

FIG. 7 is a top view of the body of the fluid pump of FIG. 1; and,

FIG. 8 is a bottom view of the fluid pump of FIG. 1.

The broken lines depict features of the fluid Pump that form no part of the claim.

**1 Claim, 8 Drawing Sheets**



(56)

**References Cited**

## U.S. PATENT DOCUMENTS

D823,900 S \* 7/2018 Alexander ..... D15/7  
D834,067 S \* 11/2018 Stahl ..... D15/7  
D834,619 S \* 11/2018 Stahl ..... D15/7  
D870,155 S \* 12/2019 Alexander ..... D15/7  
D884,032 S \* 5/2020 Huang ..... D15/7  
D886,870 S \* 6/2020 Alexander ..... D15/7  
11,092,146 B2 \* 8/2021 Alexander ..... F04B 39/121

## OTHER PUBLICATIONS

Proscenic, Proscenic T21 Smart Air Fryer XL 5.8 QT for Home, (date first available Jul. 31, 2019), Amazon.com, URL:<<https://www.amazon.com/Proscenic-T21-Electric-Touchscreen-Nonstick/dp/B07VWHVCHK/>> (Year: 2019).\*

Istopretroshop, "Sears Swing-a-Way", (archived date Aug. 16, 2017), IStopRetroShop.com website, URL:<<https://web.archive.org/web/20170816134938/http://1stopretroshop.com/item-pages/kitchen-appliances-retro-60s/retro-ice-crusher-hand-crank-midcentury-vintage-Sears-SwingaWay-1stopretroshop-z63134.htm>> (Year: 2017).\*

China National Intellectual Property Administration, "Notification to Grant the Patent Right for Design Application" issued in connection with Chinese Patent Application No. 202130241569.8 on Jul. 27, 2021, 2 pages (English Translation Included).

Institute of Mexican Industrial Property, "Office Action" issued in connection with Mexican Patent Application No. MX/f/2021/001179 on Feb. 23, 2022, 10 pages (English Translation Included).

\* cited by examiner

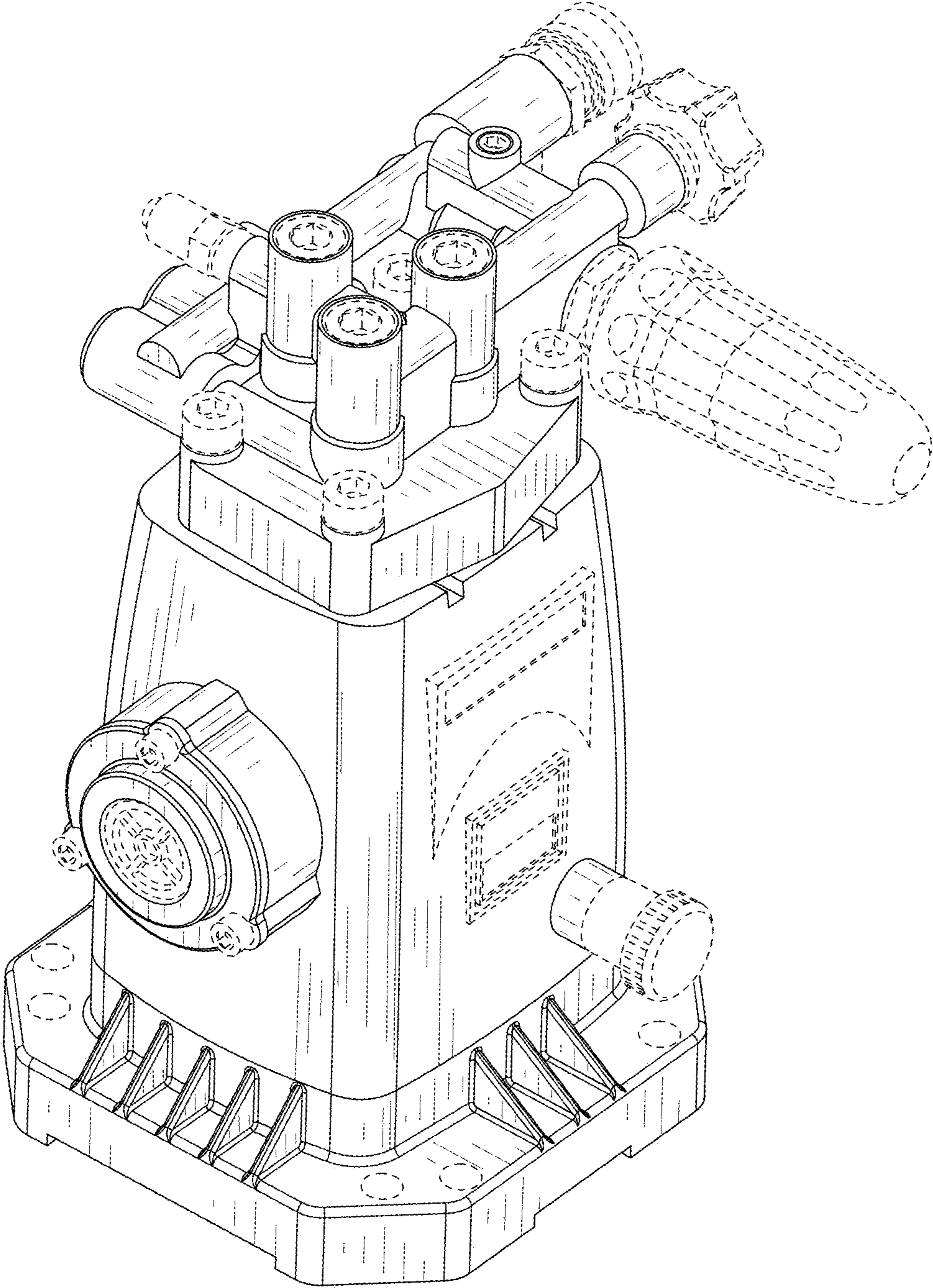


FIG. 1

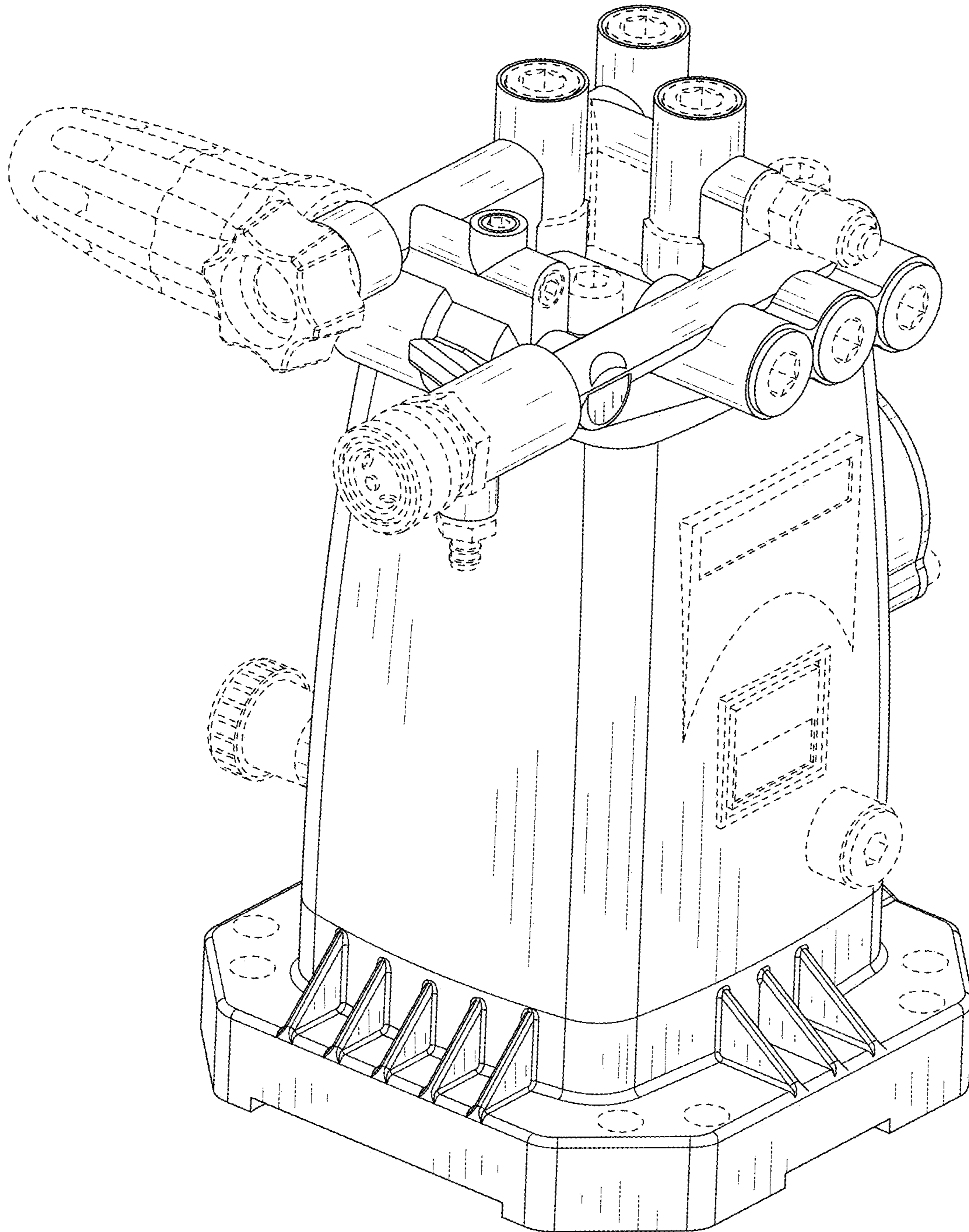


FIG. 2

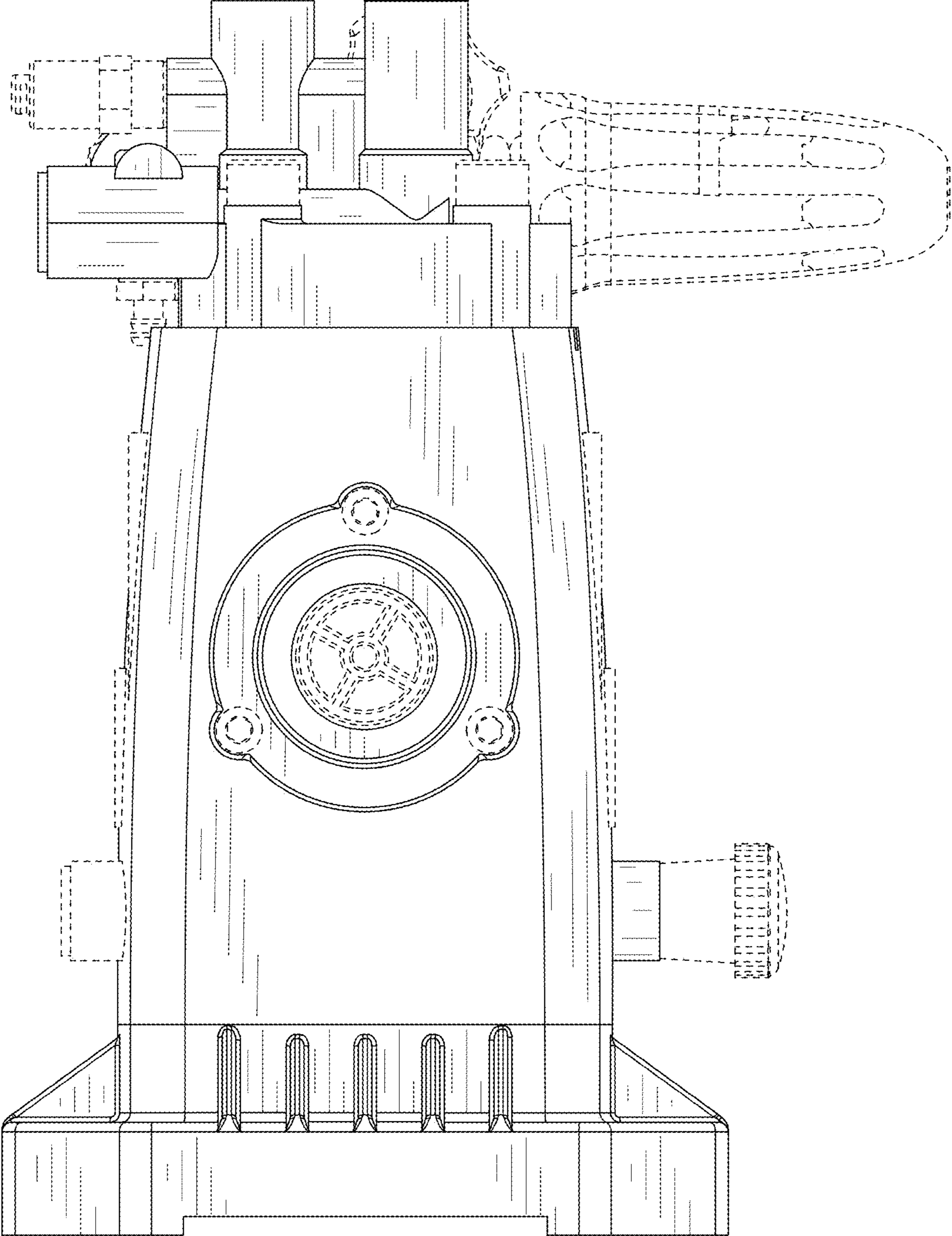


FIG. 3

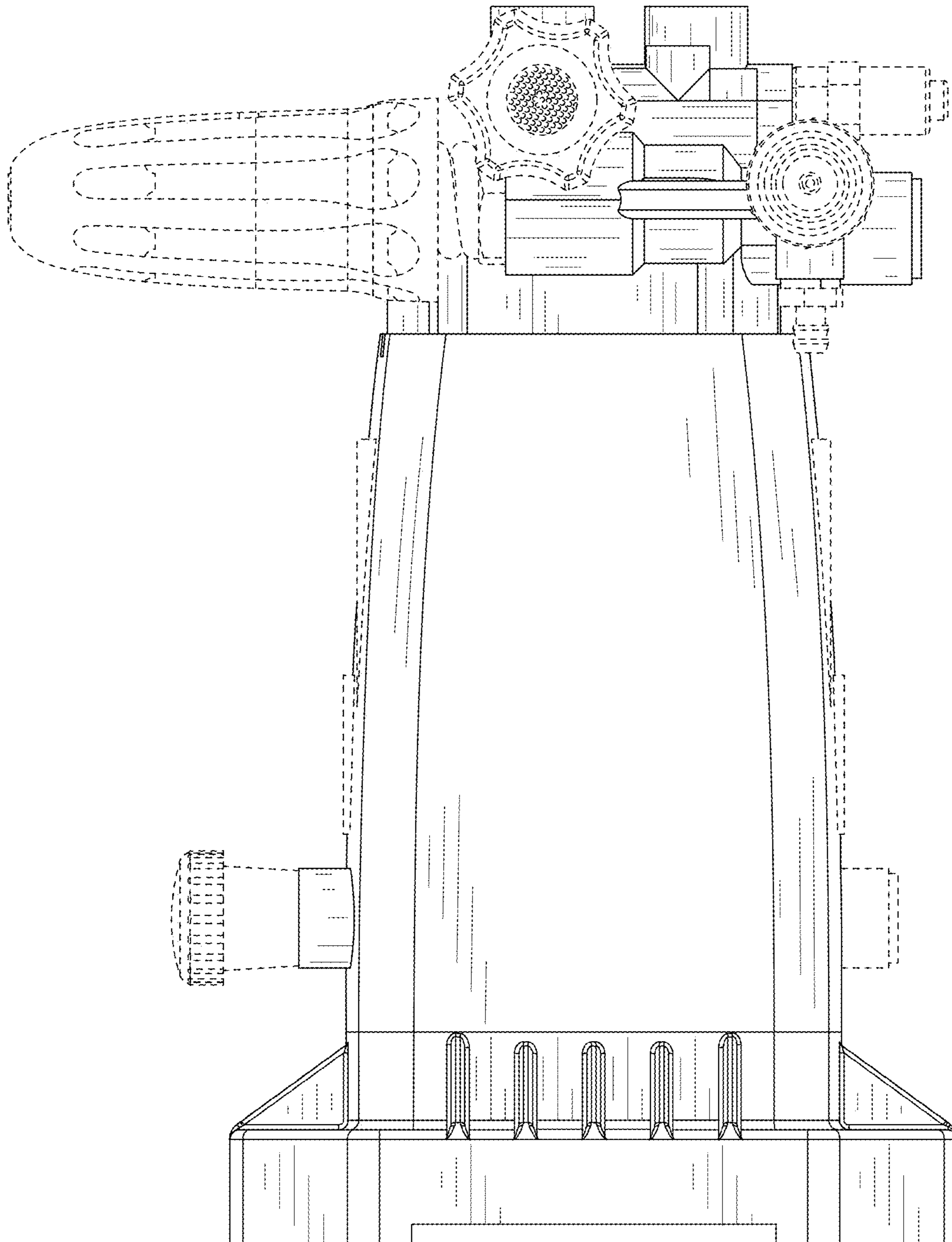


FIG. 4

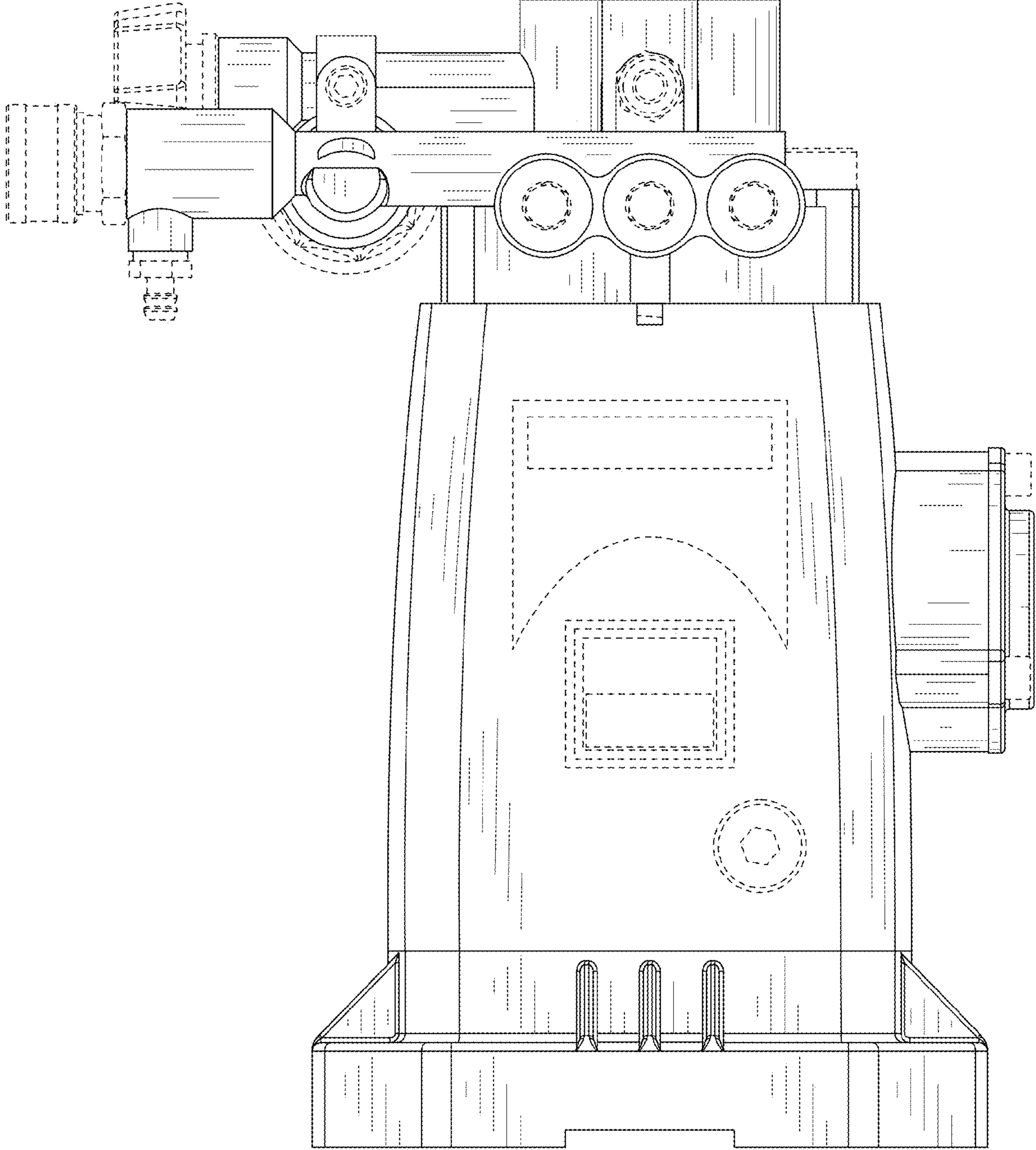


FIG. 5

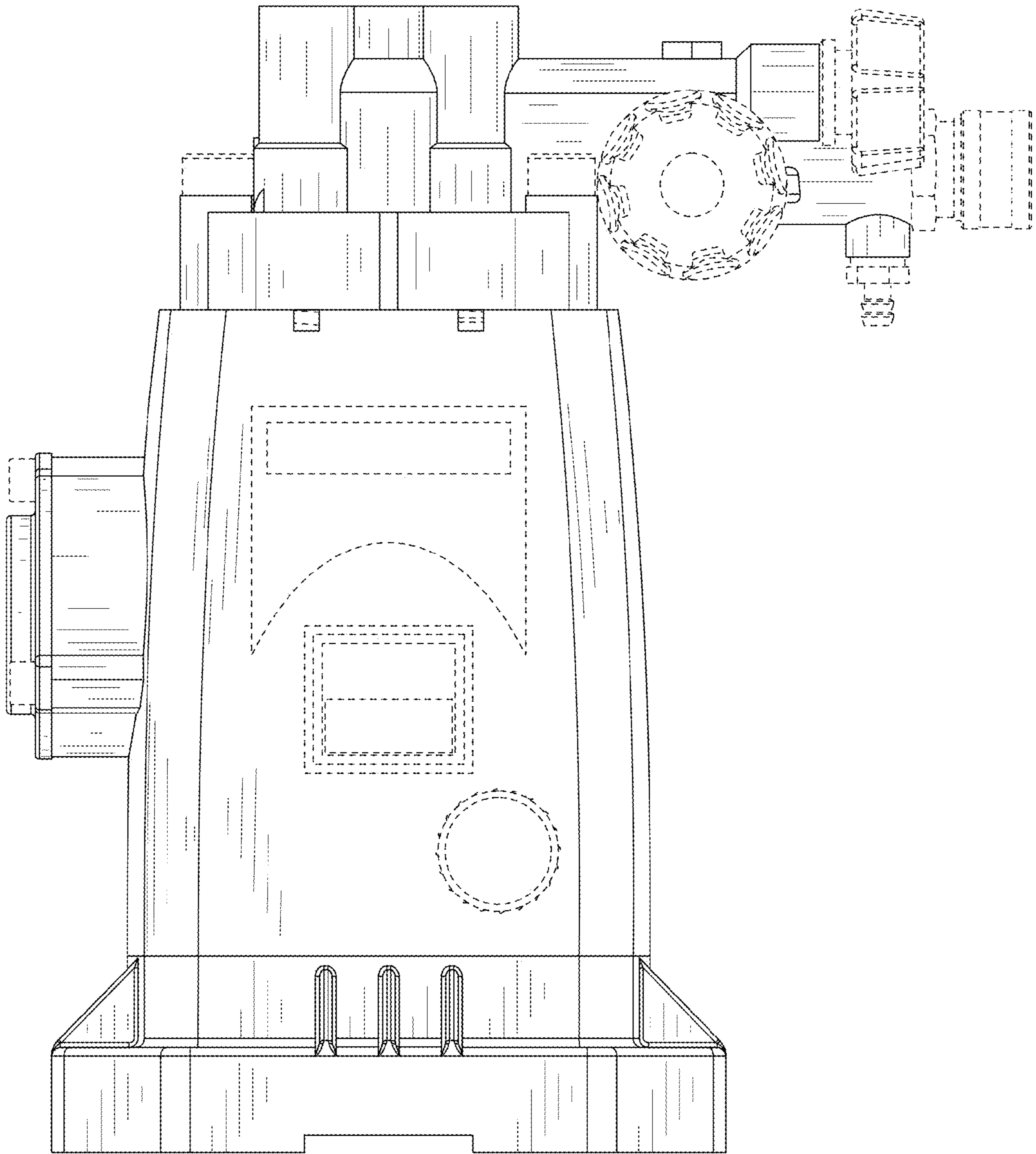


FIG. 6



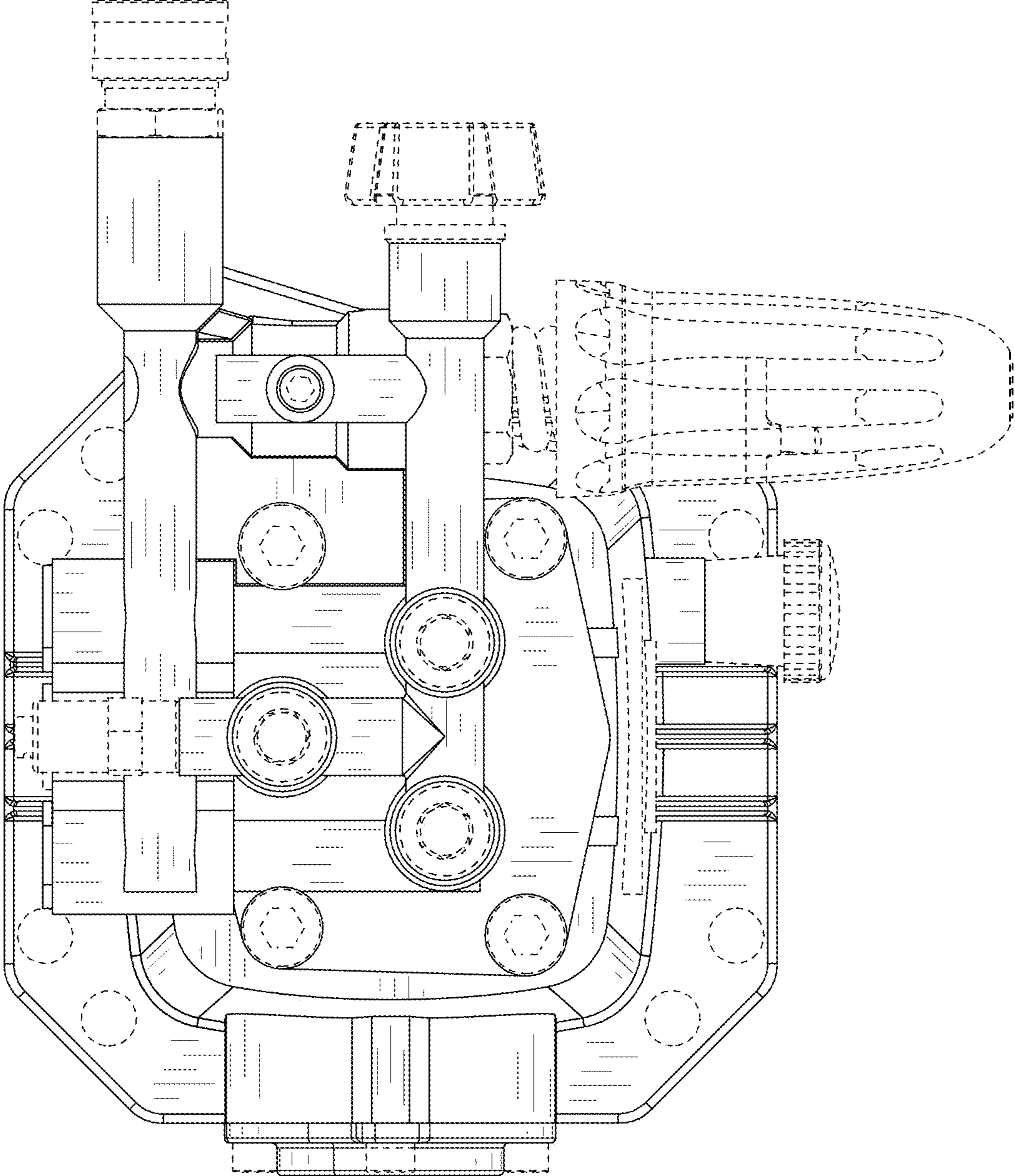


FIG. 7

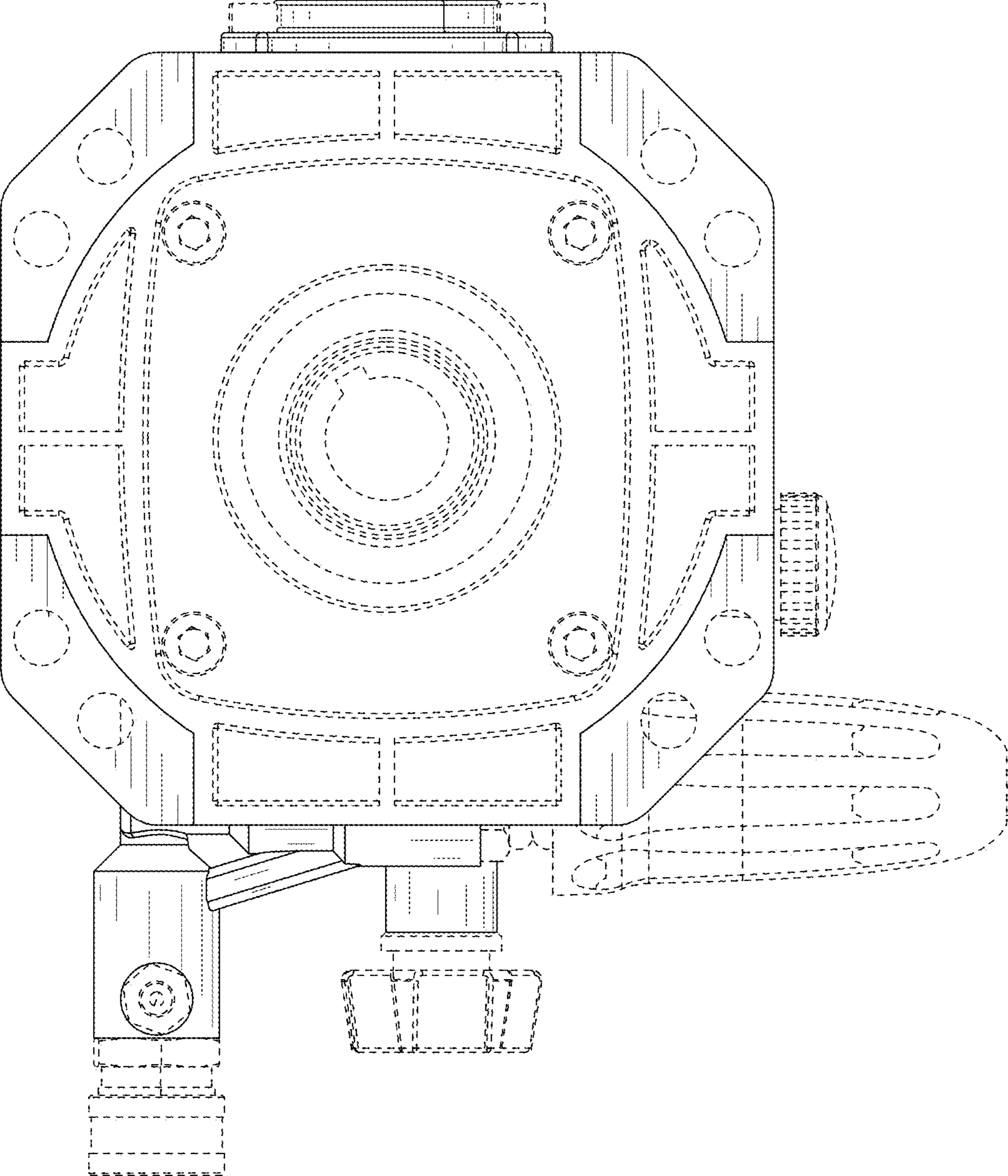


FIG. 8