



US00D968468S

(12) **United States Design Patent** (10) **Patent No.:** **US D968,468 S**  
**Bell et al.** (45) **Date of Patent:** **\*\* Nov. 1, 2022**

(54) **COVER FOR ENGINE CONTROL UNIT**

D578,550 S 10/2008 Benoit  
D604,240 S \* 11/2009 Imai ..... D13/122  
D648,746 S 11/2011 Tipton  
D655,311 S 3/2012 Gieske

(71) Applicant: **MSD LLC**, Bowling Green, KY (US)

(72) Inventors: **Robert M. Bell**, Bowling Green, KY (US); **Matthew D. Lunsford**, Bowling Green, KY (US); **William Kangas**, Bowling Green, KY (US)

(Continued)

**FOREIGN PATENT DOCUMENTS**

(73) Assignee: **MSD LLC**, Bowling Green, KY (US)

AU 2001014879 8/2001  
AU 339157 10/2011

(Continued)

(\*\*) Term: **15 Years**

**OTHER PUBLICATIONS**

(21) Appl. No.: **29/765,193**

Australian Application No. 2017251869 filed Oct. 30, 2017 titled Electronic Fuel Injection Throttle Body Assembly.

(Continued)

(22) Filed: **Jan. 6, 2021**

(51) **LOC (13) Cl.** ..... **15-01**

(52) **U.S. Cl.**  
USPC ..... **D15/5**

(58) **Field of Classification Search**  
USPC ..... D15/1, 2, 3, 4, 5, 6; D13/184  
CPC .... F02M 69/52; F02M 69/043; F02M 69/462;  
F02M 69/54; F02M 63/0056; F02M 63/02; F02M 51/005; F02M 51/02; F02M 69/04; F02D 9/1035; F02D 9/105; F02D 11/10; H05K 7/20845

*Primary Examiner* — Ania Aman  
(74) *Attorney, Agent, or Firm* — Middleton Reutlinger

(57) **CLAIM**

The ornamental design for a cover for an engine control unit, as shown and described.

See application file for complete search history.

**DESCRIPTION**

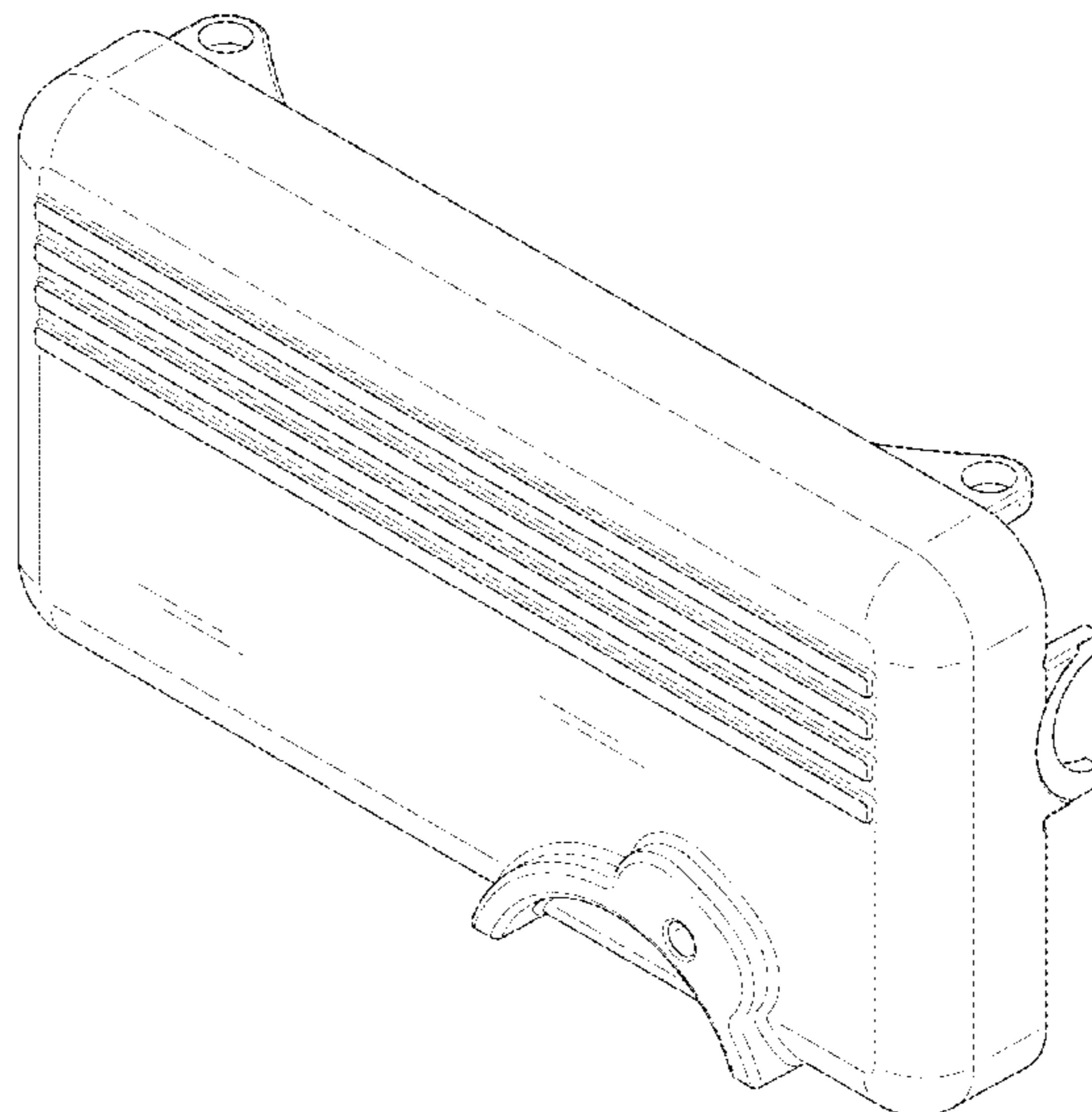
FIG. 1 is an upper perspective view of a design for a cover for an engine control unit;  
FIG. 2 is a lower perspective view of the design of FIG. 1;  
FIG. 3 is a top view of the design of FIG. 1;  
FIG. 4 is a bottom view of the design of FIG. 1;  
FIG. 5 is a first side view of the design of FIG. 1;  
FIG. 6 is a second side view of the design of FIG. 1;  
FIG. 7 is a front view of the design of FIG. 1; and,  
FIG. 8 is a rear view of the design of FIG. 1.  
The broken lines shown in the drawings are included for the purpose of illustrating the unclaimed boundary or unclaimed portions of the cover for an engine control unit. The broken lines form no part of the claimed design.

(56) **References Cited**

**U.S. PATENT DOCUMENTS**

4,357,283 A 11/1982 Manning  
4,802,902 A 2/1989 Bauerle  
D331,410 S \* 12/1992 Binversie ..... D15/4  
5,863,470 A 1/1999 Grant  
6,227,159 B1 \* 5/2001 Ropertz ..... F02M 35/10052  
123/184.21  
D447,147 S 8/2001 Grant  
6,481,698 B1 11/2002 Calvin  
D508,496 S 8/2005 Grant  
D541,303 S \* 4/2007 Drew ..... D15/5  
D555,668 S 11/2007 Benoit  
7,343,896 B2 3/2008 Grant

**1 Claim, 8 Drawing Sheets**



(56)

References Cited

U.S. PATENT DOCUMENTS

D659,714	S	5/2012	Gieske	
D721,389	S	1/2015	Gieske	
9,115,671	B2	8/2015	Benoit	
9,303,578	B2	4/2016	Wittkopf	
D760,804	S	7/2016	Shehan	
9,441,571	B2	9/2016	Petersen	
D775,234	S *	12/2016	Okuyama	..... D15/5
9,845,740	B2	12/2017	Wittkopf	
D808,435	S	1/2018	Shehan	
D810,142	S	2/2018	Shehan	
10,012,197	B2	7/2018	Flynn	
10,094,353	B2	10/2018	Bennett	
10,294,902	B2	5/2019	Shehan	
D877,201	S	3/2020	Shehan	
D900,875	S	11/2020	Bell	
D900,876	S	11/2020	Bell	
D902,257	S	11/2020	Whittle	
10,830,195	B2	11/2020	Shehan	
10,859,004	B2	12/2020	Shehan	
10,920,684	B2	2/2021	Bell	
D921,049	S	6/2021	Shehan	
D924,273	S	7/2021	Shehan	
D925,606	S	7/2021	Shehan	
11,118,515	B2	9/2021	Shehan	
D933,713	S	10/2021	Bell	
2002/0028617	A1 *	3/2002	Mashiko	..... F02M 35/112 440/88 L
2002/0137405	A1 *	9/2002	Kanno	..... F02B 61/045 440/84
2003/0003823	A1 *	1/2003	Mashiko	..... B63J 2/06 440/88 A
2005/0109315	A1 *	5/2005	Kamimura	..... F02D 11/10 123/399
2007/0113817	A1 *	5/2007	Awata	..... F02M 35/161 123/184.57
2013/0063880	A1 *	3/2013	Naruse	..... H05K 7/20854 361/679.01
2013/0298871	A1	11/2013	Bennett	
2017/0167353	A1 *	6/2017	Pitcel	..... F01P 1/02
2019/0106065	A1 *	4/2019	Nola	..... F02F 7/008
2019/0107078	A1 *	4/2019	Nola	..... F02F 7/0073
2019/0186348	A1 *	6/2019	Liu	..... F02B 39/10
2019/0242345	A1	8/2019	Shehan	
2019/0345905	A1	11/2019	Whittle	
2020/0167496	A1	5/2020	Flynn	
2021/0054813	A1	2/2021	Shehan	
2021/0071592	A1	3/2021	Shehan	
2021/0231061	A1	7/2021	Shehan	

FOREIGN PATENT DOCUMENTS

AU	341133	2/2012
AU	348732	5/2013
AU	348733	5/2013
AU	348734	5/2013
AU	356762	8/2014
AU	201710470	2/2017
AU	201710471	2/2017

AU	2013254906	11/2017
AU	201813353	8/2018
AU	201813355	8/2018
AU	201815034	9/2018
AU	201815036	9/2018
AU	201816623	12/2018
AU	201816624	12/2018
AU	202010277	3/2020
AU	202010279	3/2020
AU	202112128	A1 5/2021
AU	202112129	A1 5/2021
CA	2391589	5/2001
CA	2832503	A1 5/2014
CA	184482	9/2019
CA	184483	9/2019
EM	003729599	1/2017
MX	57188	11/2019
MX	58885	11/2020
WO	2019112961	A1 6/2019
WO	2019112963	A1 6/2019
WO	2019217311	A1 11/2019
WO	2019217436	A1 11/2019

OTHER PUBLICATIONS

Australian Application No. 2019267442 filed May 6, 2019 titled Electronic Fuel Injection Throttle Body Assembly.

Australian Application No. 2019267570 filed May 7, 2019 title Electronic Fuel Injection Throttle Body Assembly.

Australian Application No. 2018378313 entered national stage Jun. 26, 2020 titled Electronic Fuel Injection Throttle Body Assembly.

Australian Application No. 2018378315 entered national stage Jun. 26, 2020 titled Electronic Fuel Injection Throttle Body Assembly.

Design U.S. Appl. No. 29/787,922, filed Jun. 9, 2021 titled EFI Throttle Body.

Design U.S. Appl. No. 29/707,397, filed Sep. 27, 2019 titled Electronic Fuel Injection Throttle Body.

Design U.S. Appl. No. 29/797,399, filed Sep. 27, 2019 titled Electronic Fuel Injection Throttle Body.

Design U.S. Appl. No. 29/810,561, filed Oct. 6, 2021 titled Electronic Fuel Injection Throttle Body.

Design U.S. Appl. No. 29/741,694, filed Jul. 15, 2020 titled Electronic Fuel Injection Throttle Body.

Design U.S. Appl. No. 29/726,081, filed Feb. 28, 2020 titled Electronic Fuel Injection Throttle Body.

Design U.S. Appl. No. 29/765,192, filed Jan. 6, 2021 titled Electronic Fuel Injection Throttle Body System.

Holley 2017 New & Hot Products (2016).

Wikipedia, Quadrajets, Rochester Products spread bore carburetor introduced in 1964, retrieved from internet on Apr. 16, 2019.

Mopar Performance P5249686 Jeep MPI-Fuel, Sep. 2, 2016.

Howell EFI Fuel Injection Conversion Kit, JP258, Apr. 29, 2015.

F.A.S.T. EZ-EFI Self-Tuning Fuel Injection Systems 30294-Kit TBI Conversion Kit, Jun. 30, 2015.

Youtube video, "Holley Terminator EFI Kit Electronic Fuel Injection", May 6, 2015. Retrieved from <https://www.youtube.com/watch?v=hrTppUkNAn0>; retrieved on Jul. 1, 2019.

\* cited by examiner



FIG. 1

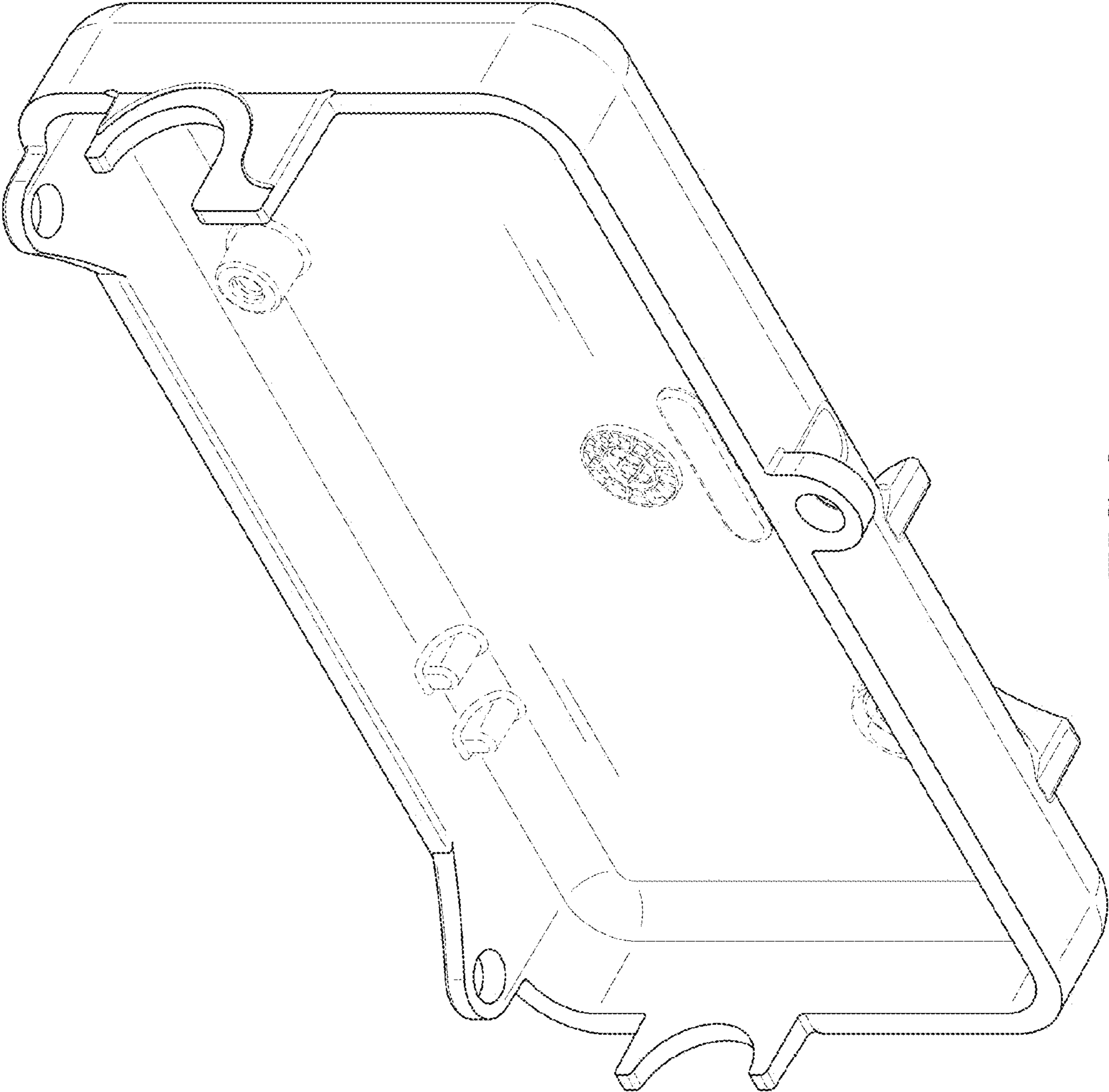


FIG. 2

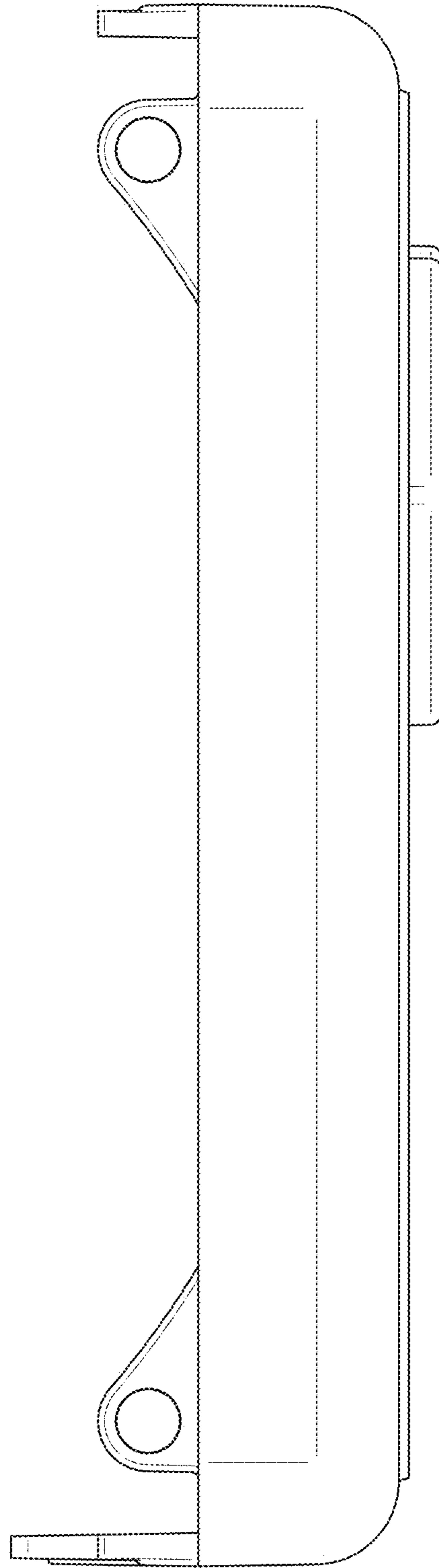


FIG. 3

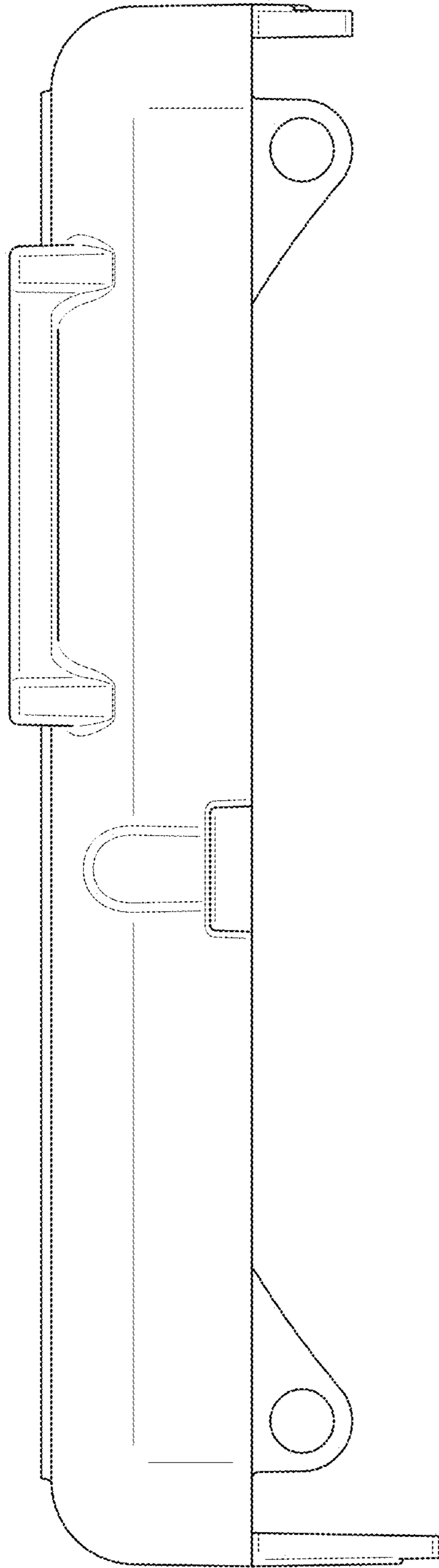


FIG. 4

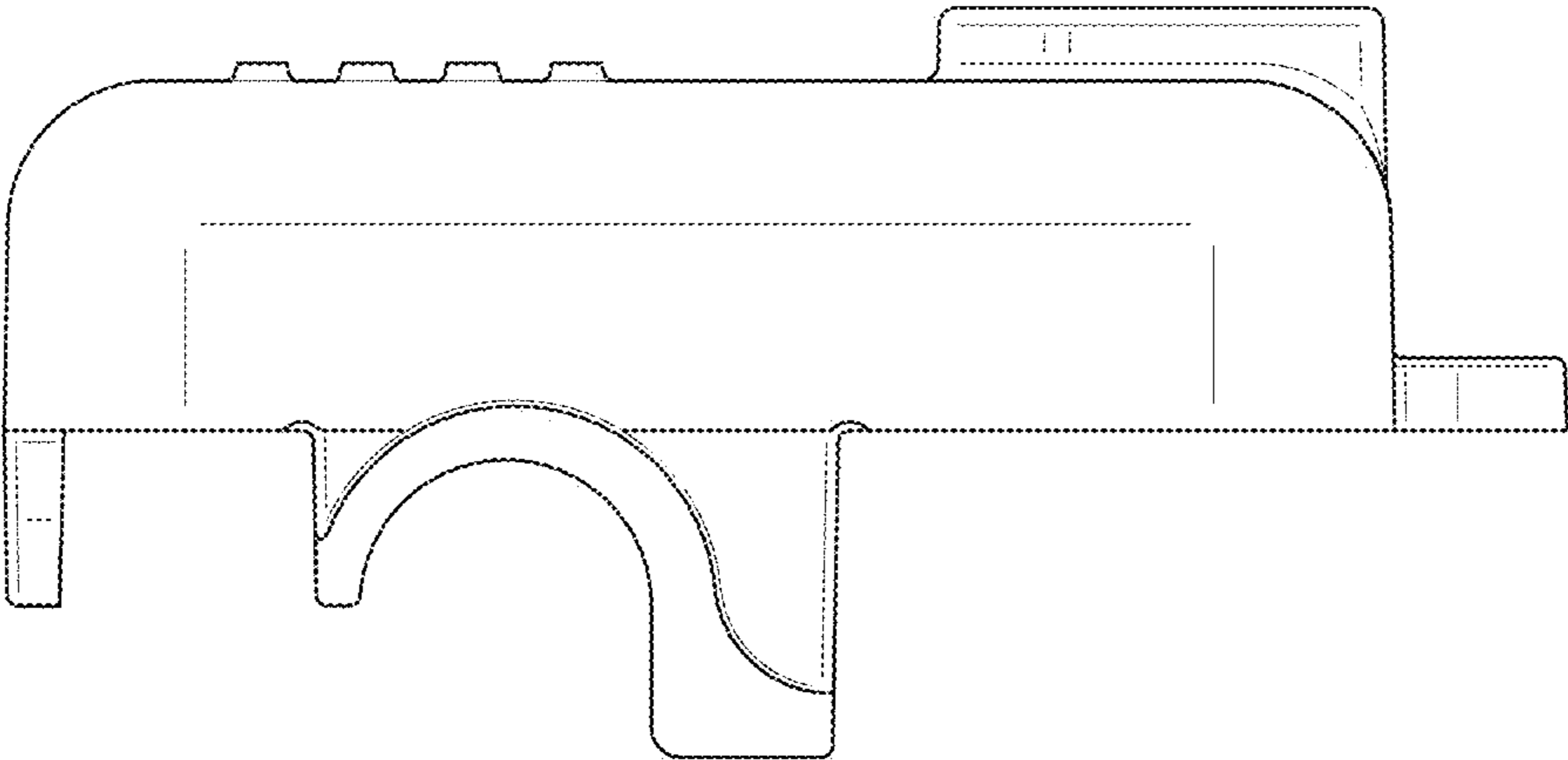


FIG. 5

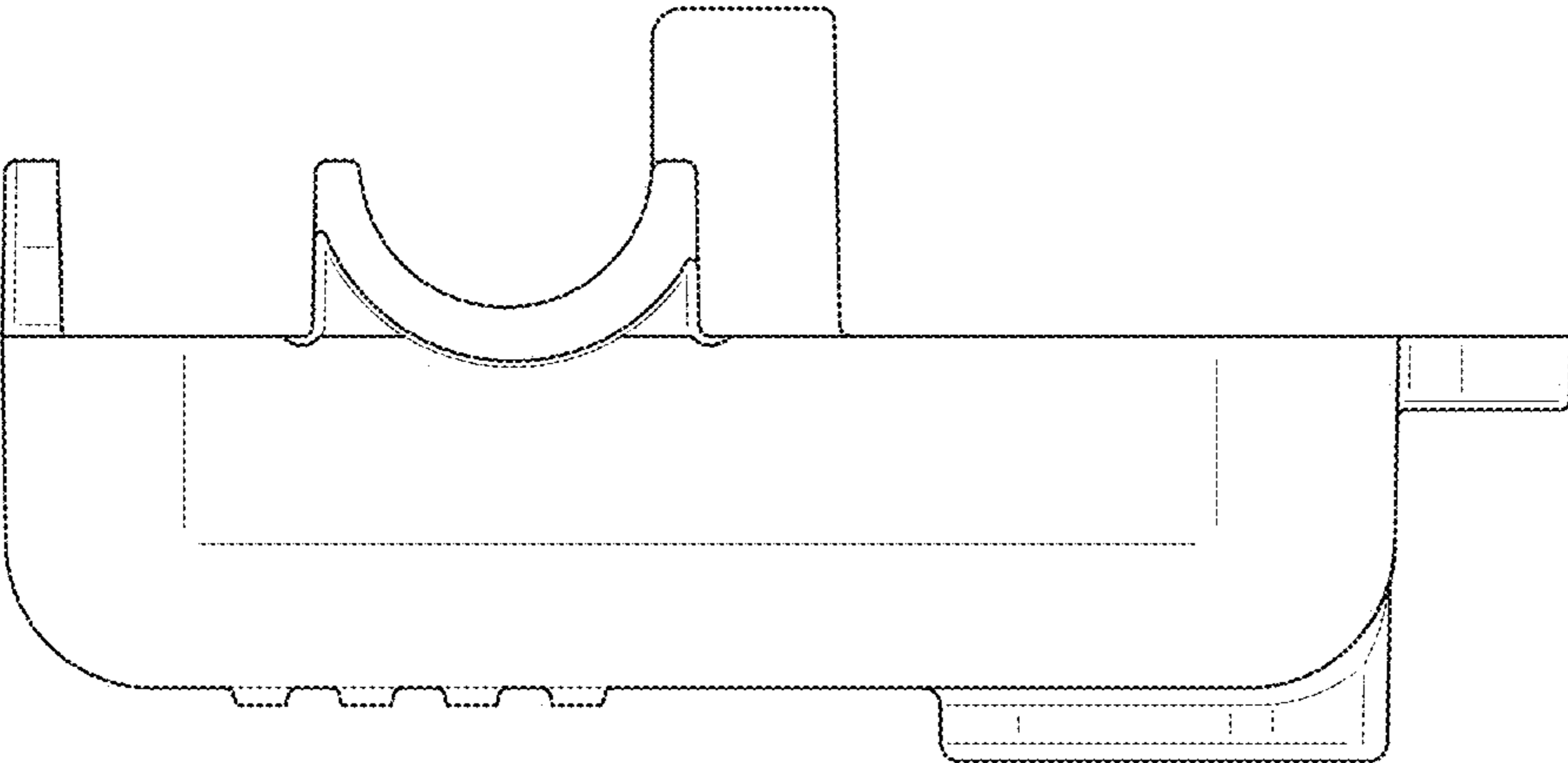


FIG. 6



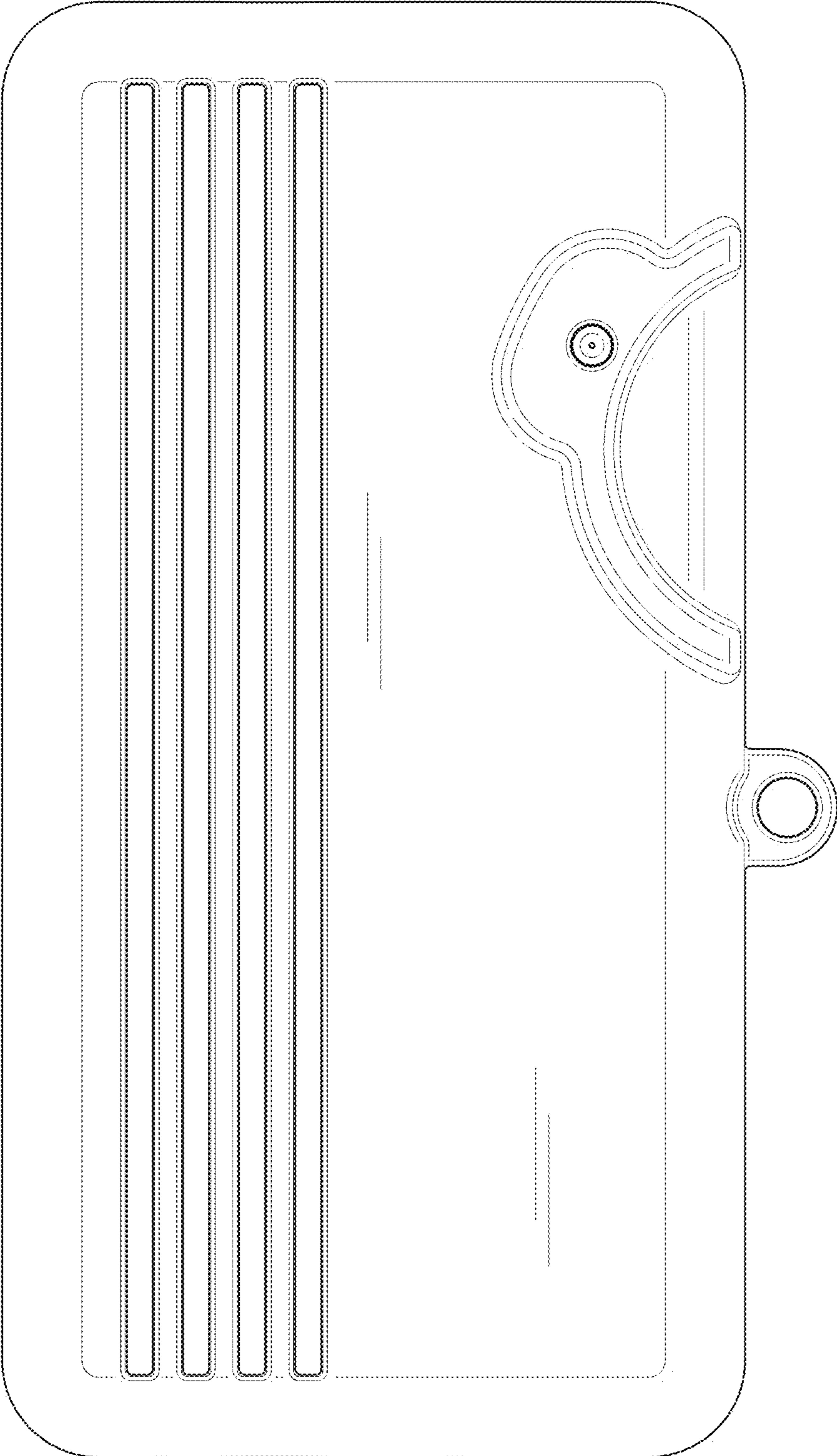


FIG. 7

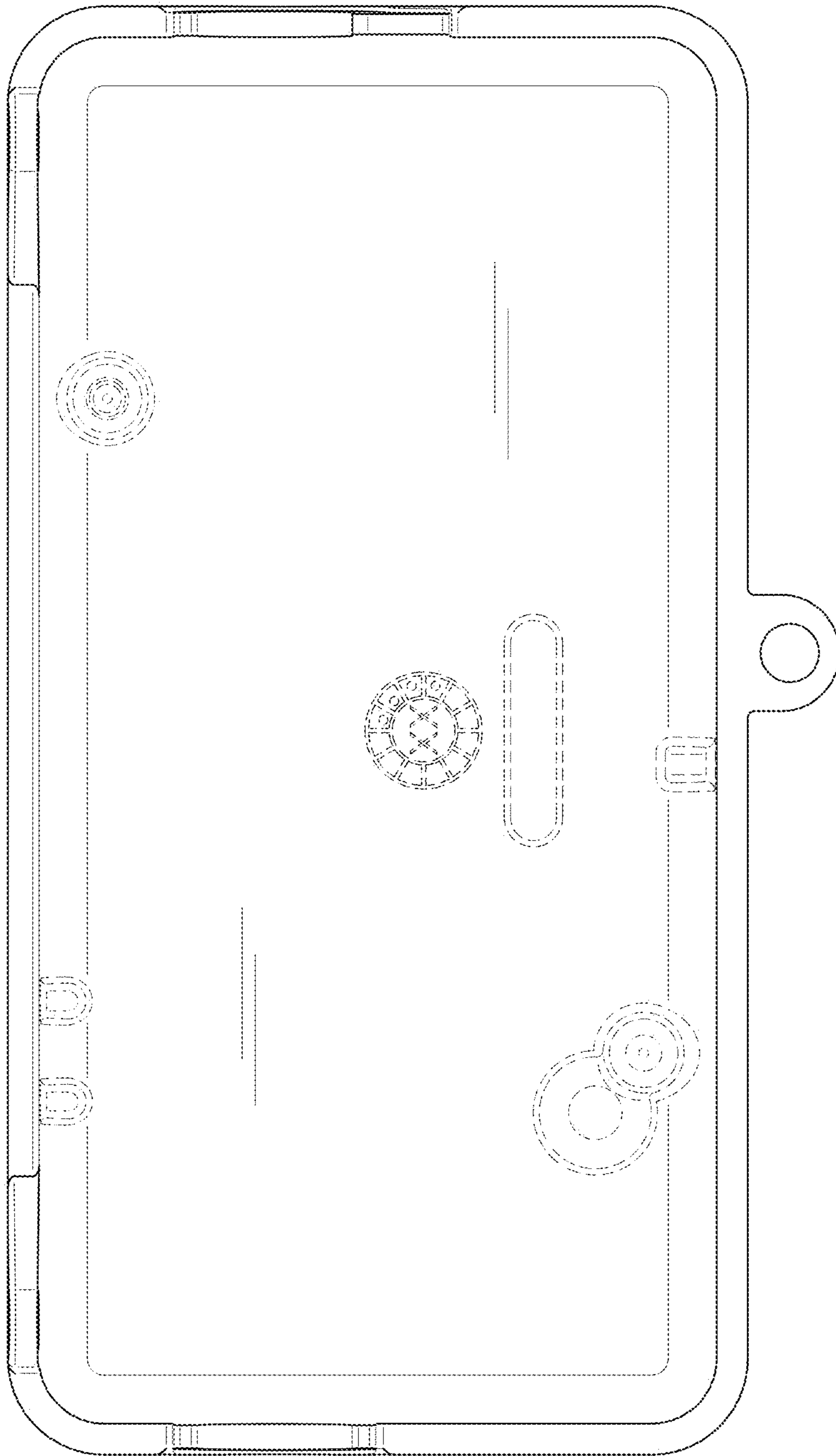


FIG. 8