



US00D968467S

(12) **United States Design Patent** (10) **Patent No.:** **US D968,467 S**  
**Hertsgaard et al.** (45) **Date of Patent:** **\*\* Nov. 1, 2022**

(54) **ENGINE MOUNT FOR A WORK VEHICLE**

(71) Applicant: **CNH Industrial America LLC**, New Holland, PA (US)

(72) Inventors: **Timothy Ralph Hertsgaard**, Fargo, ND (US); **John Thomas Rasset**, Barnesville, MN (US)

(73) Assignee: **CNH Industrial America LLC**, New Holland, PA (US)

(\*\*) Term: **15 Years**

(21) Appl. No.: **29/707,642**

(22) Filed: **Sep. 30, 2019**

(51) **LOC (13) Cl.** ..... **15-01**

(52) **U.S. Cl.**  
USPC ..... **D15/5**

(58) **Field of Classification Search**  
USPC ..... D15/5, 28; D8/349, 354, 356, 363, 366, D8/380, 382, 383, 394, 396, 499, 352; D12/223  
CPC ..... B60Y 2304/05; B60K 5/1283; B60K 5/1216; B60K 5/12; B60K 5/1208; B62D 2/11  
See application file for complete search history.

(56) **References Cited**

U.S. PATENT DOCUMENTS

D35,517 S \* 12/1901 McMillan ..... D8/349  
4,724,643 A \* 2/1988 Marsh ..... E06B 3/5481  
D8/382  
5,570,757 A \* 11/1996 Courtwright ..... B60K 5/12  
180/291  
6,672,237 B2 \* 1/2004 Hillier ..... F16G 11/101  
114/218  
6,886,818 B2 5/2005 Kim  
6,964,221 B2 11/2005 Mickelson et al.  
7,448,639 B1 \* 11/2008 Mann ..... B62D 53/08  
280/441.1

7,490,691 B2 2/2009 Reese et al.  
7,513,329 B2 4/2009 Nakashima et al.  
7,987,942 B2 8/2011 Lee  
D686,252 S 7/2013 Urase et al.  
D712,727 S \* 9/2014 Geiger ..... D8/382  
D727,719 S \* 4/2015 Ribeiro ..... D8/382  
9,096,991 B2 8/2015 Zheng et al.

(Continued)

FOREIGN PATENT DOCUMENTS

JP H10258763 9/1998  
WO 2011151571 12/2011

Primary Examiner — Ania Aman

(74) Attorney, Agent, or Firm — Rickard K. DeMille; Rebecca L. Henkel

(57) **CLAIM**

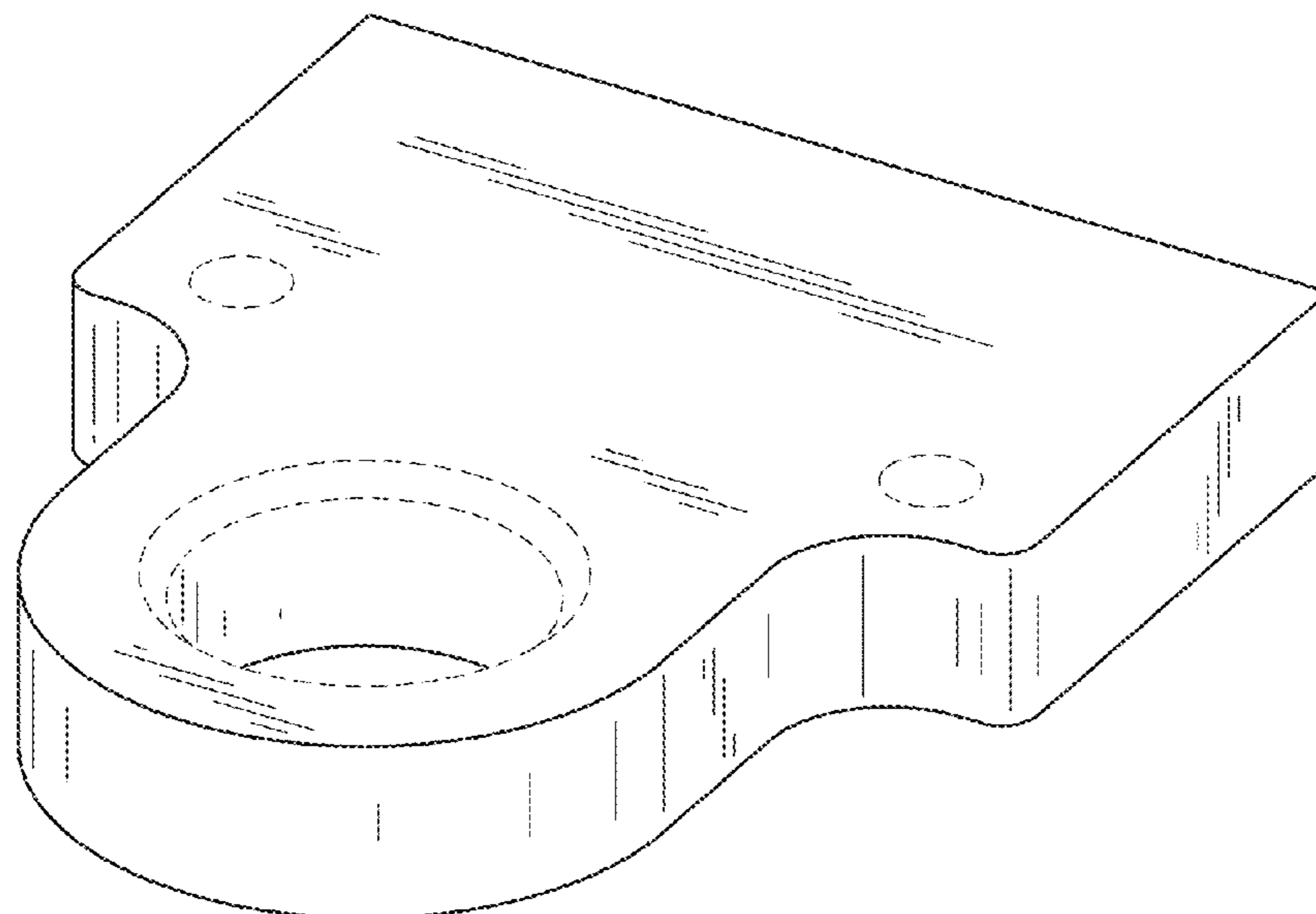
The ornamental design for an engine mount for a work vehicle, substantially as shown and described.

**DESCRIPTION**

FIG. 1 is a perspective view of an engine mount for a work vehicle;  
FIG. 2 is a front view of the engine mount for a work vehicle;  
FIG. 3 is a back view of the engine mount for a work vehicle;  
FIG. 4 is right side view of the engine mount for a work vehicle;  
FIG. 5 is a left side view of the engine mount for a work vehicle;  
FIG. 6 is a top view of the engine mount for a work vehicle; and,  
FIG. 7 is a bottom view of the engine mount for a work vehicle.

In the drawings, the broken lines depict unclaimed subject matter only and form no part of the claimed design.

**1 Claim, 4 Drawing Sheets**



(56)

**References Cited**

U.S. PATENT DOCUMENTS

D767,218	S *	9/2016	Hickling .....	A01K 1/04 D30/154
9,616,737	B2	4/2017	Bourlon et al.	
D800,175	S *	10/2017	Gillespie .....	B60K 5/1283 D15/5
10,059,377	B2	8/2018	Shimizu	
D886,570	S *	6/2020	Twitchell .....	D8/356
11,345,403	B2 *	5/2022	Hertsgaard .....	B60K 5/12
2004/0074713	A1 *	4/2004	Beattie .....	F16D 65/092 188/73.46
2005/0121577	A1 *	6/2005	Oddsens, Jr. ....	F16M 13/02 248/225.11
2005/0181646	A1 *	8/2005	Bruno .....	H05K 3/303 439/101
2008/0054538	A1 *	3/2008	Igami .....	B60K 5/1216 180/291
2009/0008177	A1 *	1/2009	Sheahan .....	B62J 35/00 180/225
2014/0367547	A1 *	12/2014	Ohnishi .....	F16F 1/3835 267/141
2015/0152953	A1 *	6/2015	Sykes .....	F16F 1/3849 180/312
2016/0201756	A1 *	7/2016	Sakamoto .....	F16F 1/3849 248/634

\* cited by examiner

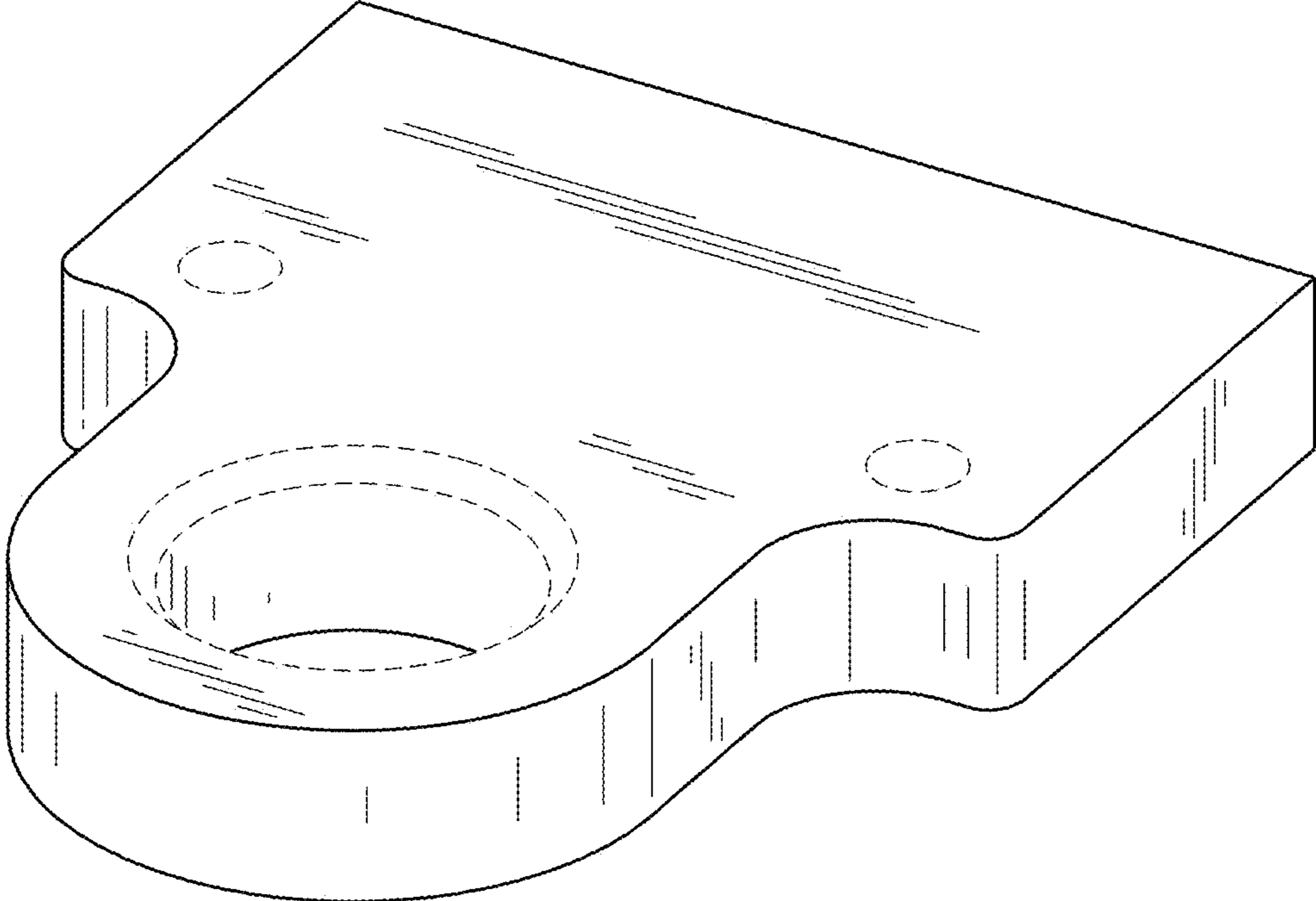


FIG. 1

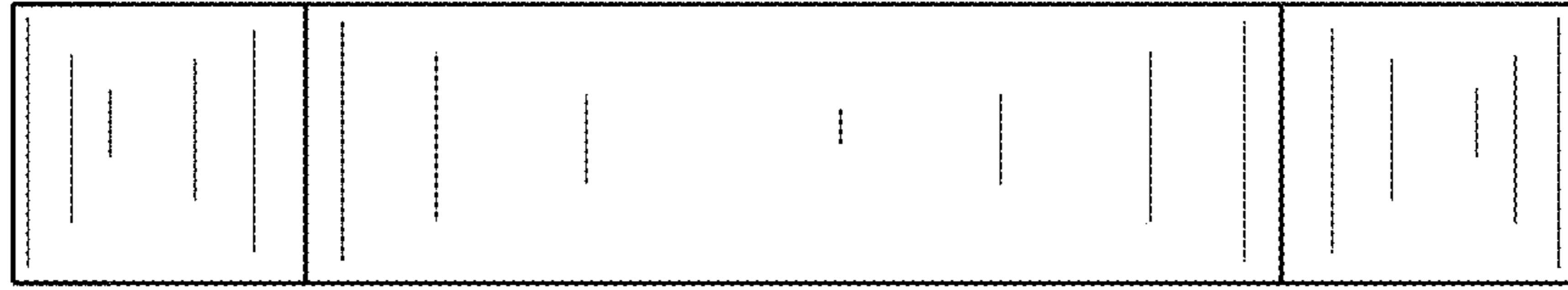


FIG. 2



FIG. 3

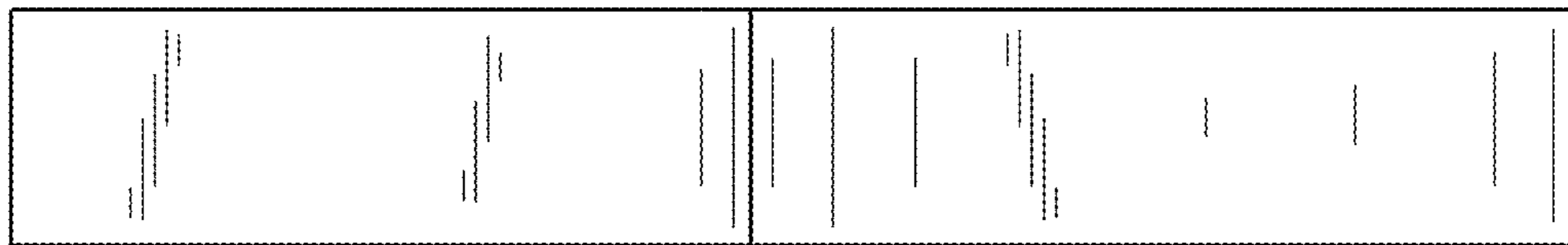


FIG. 4

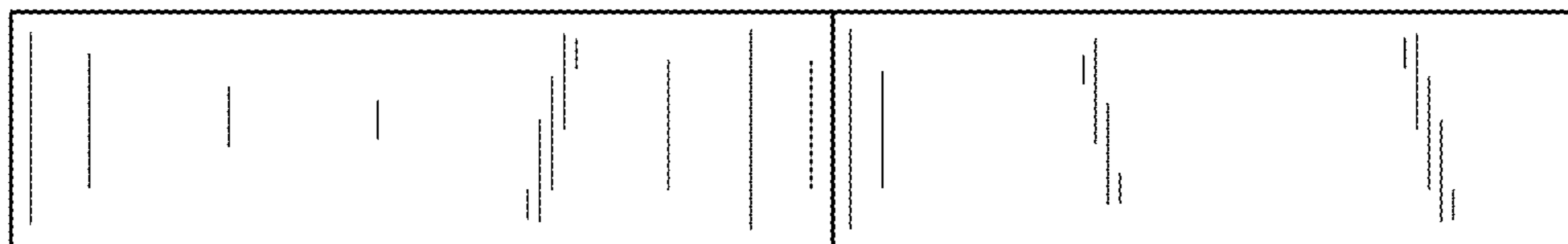


FIG. 5

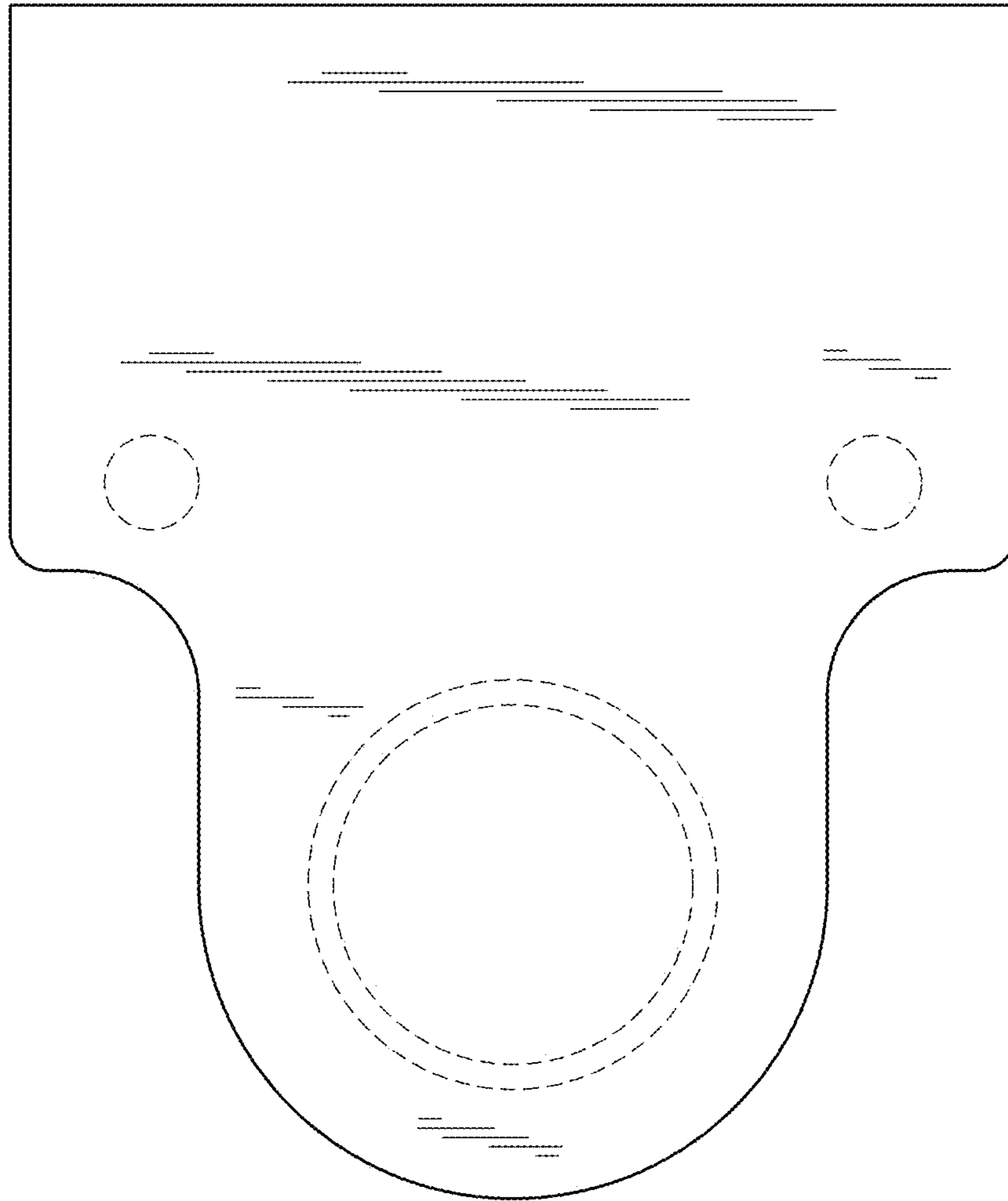


FIG. 6

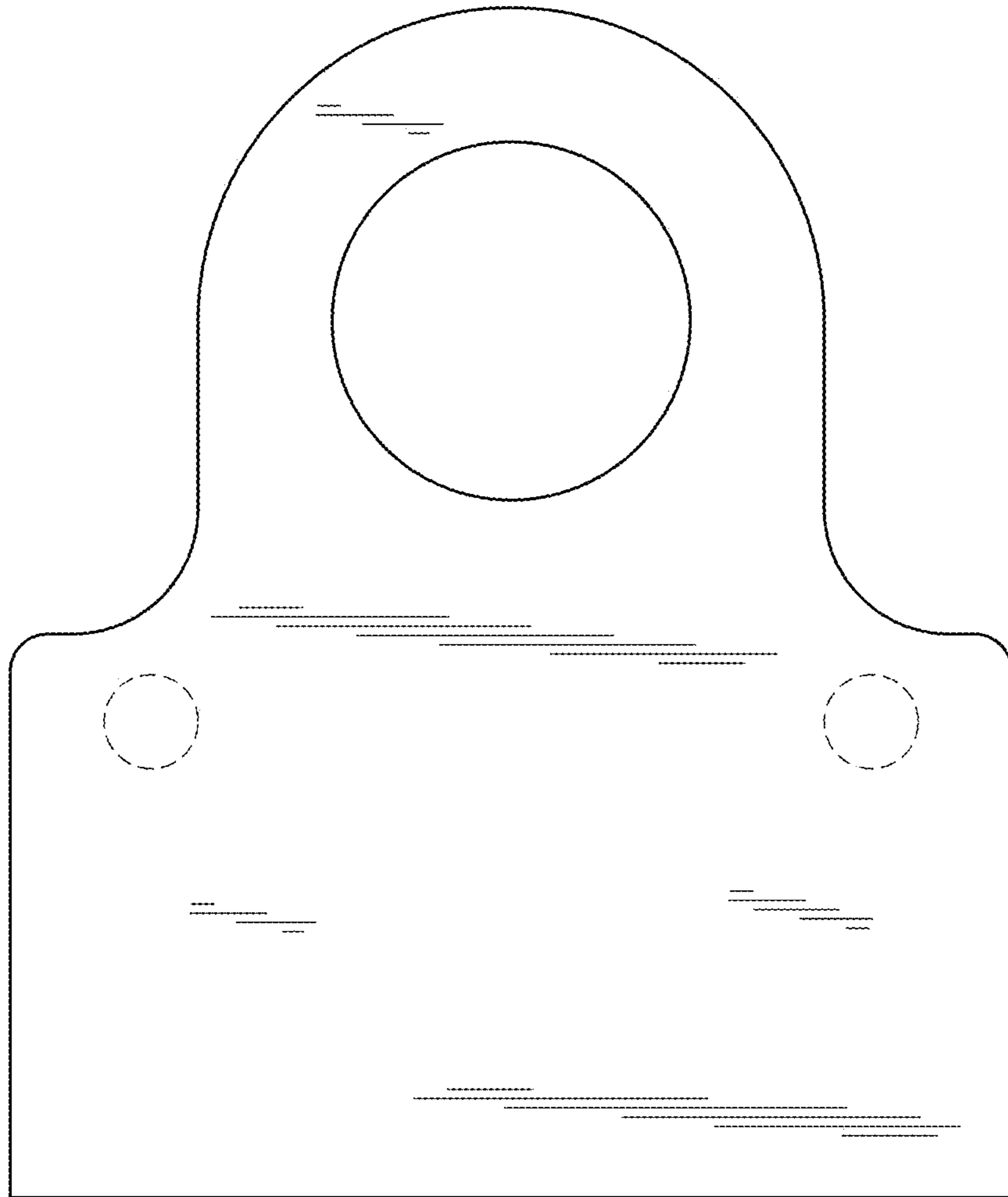


FIG. 7