



US00D968418S

(12) **United States Design Patent** (10) **Patent No.:** **US D968,418 S**
Bolotin et al. (45) **Date of Patent:** **** *Nov. 1, 2022**

(54) **ELECTRONIC DEVICE**

(71) Applicant: **ClevX, LLC**, Kirkland, WA (US)

(72) Inventors: **Lev M. Bolotin**, Kirkland, WA (US);
Robert Hubler, San Jose, CA (US)

(73) Assignee: **ClevX, LLC**, Kirkland, WA (US)

(*) Notice: This patent is subject to a terminal disclaimer.

(**) Term: **15 Years**

(21) Appl. No.: **29/773,546**

(22) Filed: **Mar. 10, 2021**

Related U.S. Application Data

(63) Continuation-in-part of application No. 29/718,357, filed on Dec. 23, 2019, now Pat. No. Des. 956,056.

(51) **LOC (13) Cl.** **14-02**

(52) **U.S. Cl.**
USPC **D14/480.7**

(58) **Field of Classification Search**
USPC D14/203.1, 203.8, 411, 433, 436, 435.1,
D14/480.1, 480.4, 480.5, 480.7, 484.1;
D13/133, 154; D8/330

(Continued)

(56) **References Cited**

U.S. PATENT DOCUMENTS

D537,820 S * 3/2007 Hsu D14/480.1
7,422,454 B1 * 9/2008 Tang H01R 13/6658
439/131

(Continued)

OTHER PUBLICATIONS

Amazon.com_ Encrypted USB Drive; Oct. 12, 2018; 2 pgs.; <https://www.amazon.com/Encrypted-INN%C3%94PLUS-Military-Encryption-Validated/dp/B07JCYW4B7?th=1>.*

(Continued)

Primary Examiner — Selina Sikder

(74) *Attorney, Agent, or Firm* — Schwegman Lundberg & Woessner, P.A.

(57) **CLAIM**

The ornamental design for an electronic device, as shown and described.

DESCRIPTION

FIG. 1 is a front view of an electronic device (e.g., a secure electronic data storage device or other electronic storage device), showing our new design, in a first operating configuration with a slidable hood in a lowered position on the electronic device.

FIG. 2 is a rear view thereof.

FIG. 3 is a left side view thereof.

FIG. 4 is a right side view thereof.

FIG. 5 is a top view thereof.

FIG. 6 is a bottom view thereof.

FIG. 7 is a top-front-left perspective view thereof.

FIG. 8 is a bottom-front-right perspective view thereof.

FIG. 9 is a top-rear-right perspective view thereof.

FIG. 10 is a bottom-rear-left perspective view thereof.

FIG. 11 is a front view of the electronic device of FIGS. 1-10, in a second operating configuration with the slidable hood in a raised position on the electronic device.

FIG. 12 is a rear view thereof.

FIG. 13 is a left side view thereof.

FIG. 14 is a right side view thereof.

FIG. 15 is a top view thereof.

FIG. 16 is a bottom view thereof.

FIG. 17 is a top-front-left perspective view thereof.

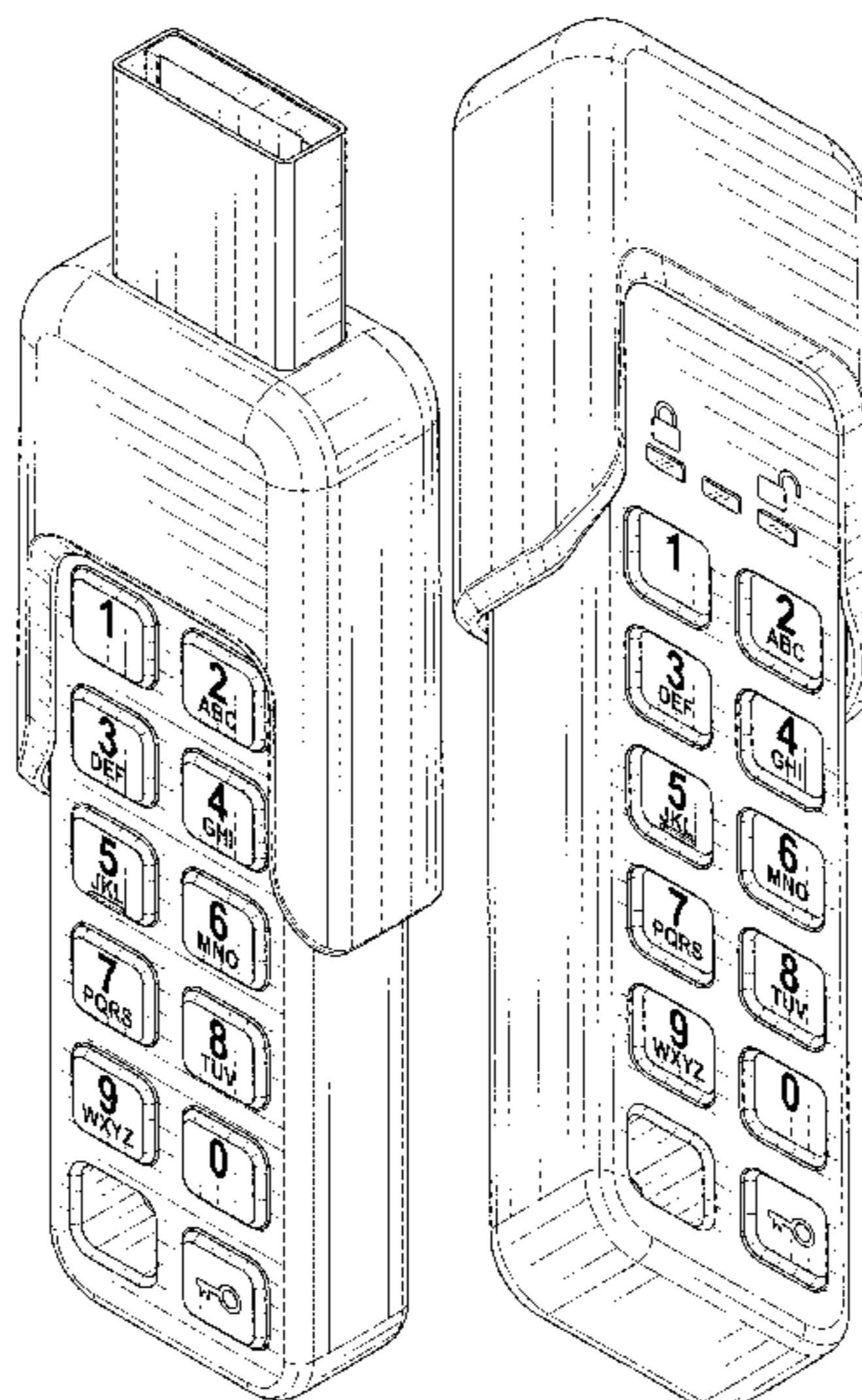
FIG. 18 is a bottom-front-right perspective view thereof.

FIG. 19 is a top-rear-right perspective view thereof; and,

FIG. 20 is a bottom-rear-left perspective view thereof.

The shade lines show surface contour and not surface ornamentation.

1 Claim, 14 Drawing Sheets



US D968,418 S

Page 2

(58) **Field of Classification Search**

CPC H05K 5/0278; G06K 19/073; G06K
19/07732; G06K 19/07709

See application file for complete search history.

(56) **References Cited**

U.S. PATENT DOCUMENTS

D587,719 S * 3/2009 Tate D14/480.1
D602,026 S * 10/2009 Lo D14/480.7
D620,017 S * 7/2010 Lo D14/480.7
8,102,662 B2 * 1/2012 Hiew G06F 1/1632
361/752
D669,904 S * 10/2012 Ni D14/480.7
D670,712 S * 11/2012 Bolotin D14/480.5
D800,138 S * 10/2017 Brown D14/480.5
D800,139 S * 10/2017 Brown D14/480.5
D845,964 S * 4/2019 Kim D14/480.5
D873,274 S * 1/2020 Bolotin D14/480.5
D886,114 S * 6/2020 Roberts D14/480.1
D941,828 S * 1/2022 Kim D14/480.5
D946,582 S * 3/2022 Wu D14/480.7
2007/0292009 A1 * 12/2007 Nguyen G06F 21/32
382/124

2008/0276099 A1* 11/2008 Nguyen G06F 21/78
711/E12.098
2008/0280490 A1* 11/2008 Nguyen G06F 21/32
711/E12.098
2010/0124831 A1* 5/2010 Chou H01R 13/6658
439/131
2010/0315762 A1* 12/2010 Lo H05K 5/0278
361/600
2012/0026661 A1* 2/2012 Ni G06F 21/32
29/592.1

OTHER PUBLICATIONS

Encrypted usb drive with retracting cover; Sep. 1, 2018; 2 pgs.;
www.amazon.com/s?k=apricom+16gb+aegis+secure+key+3&crd=CPLIWIQCSAKS8&sprefix=apricom+16gb+%2Caps%2C94&ref=nb_sb_ss_ts_doa_p_1_14.
“U.S. Appl. No. 29/718,357, Corrected Notice of Allowability dated
May 20, 2022”, 13 pgs.
“U.S. Appl. No. 29/718,357, Notice of Allowance dated Apr. 11,
2022”, 7 pgs.

* cited by examiner

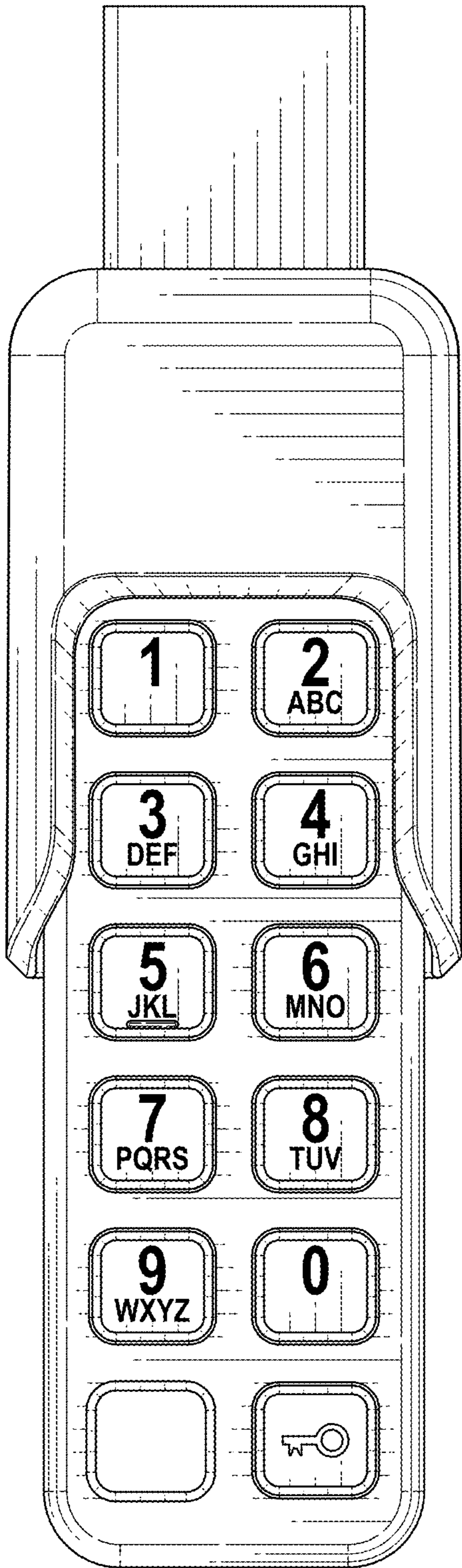


FIG. 1

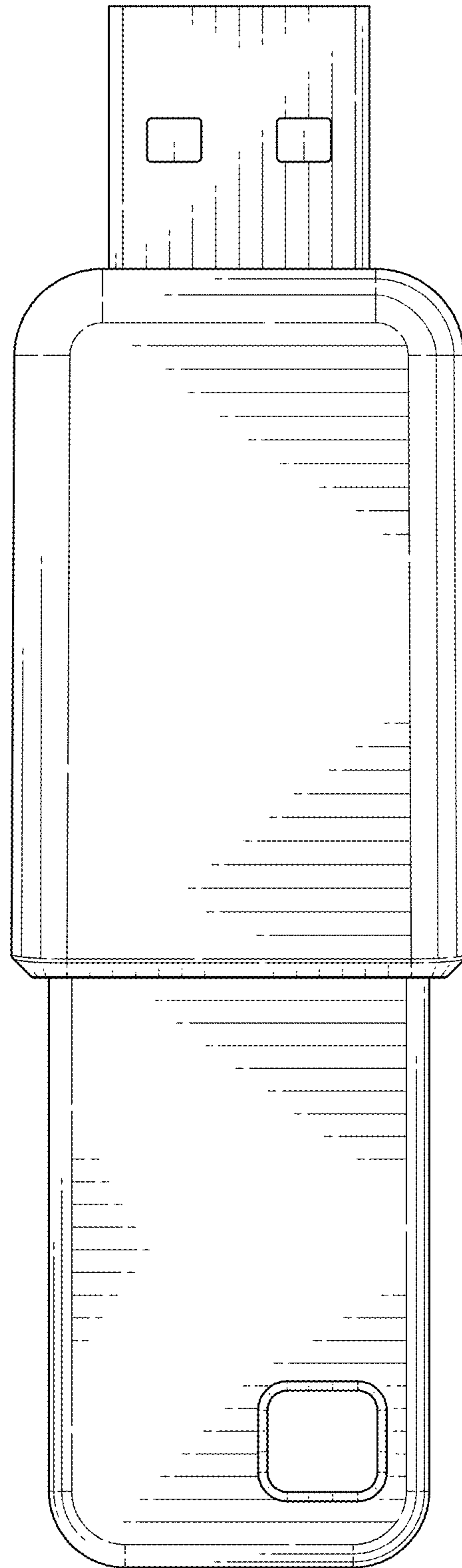


FIG. 2

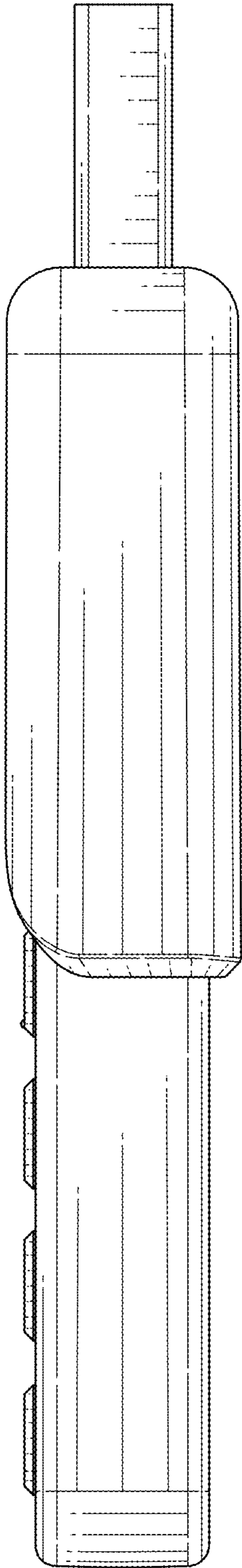


FIG. 3



FIG. 4

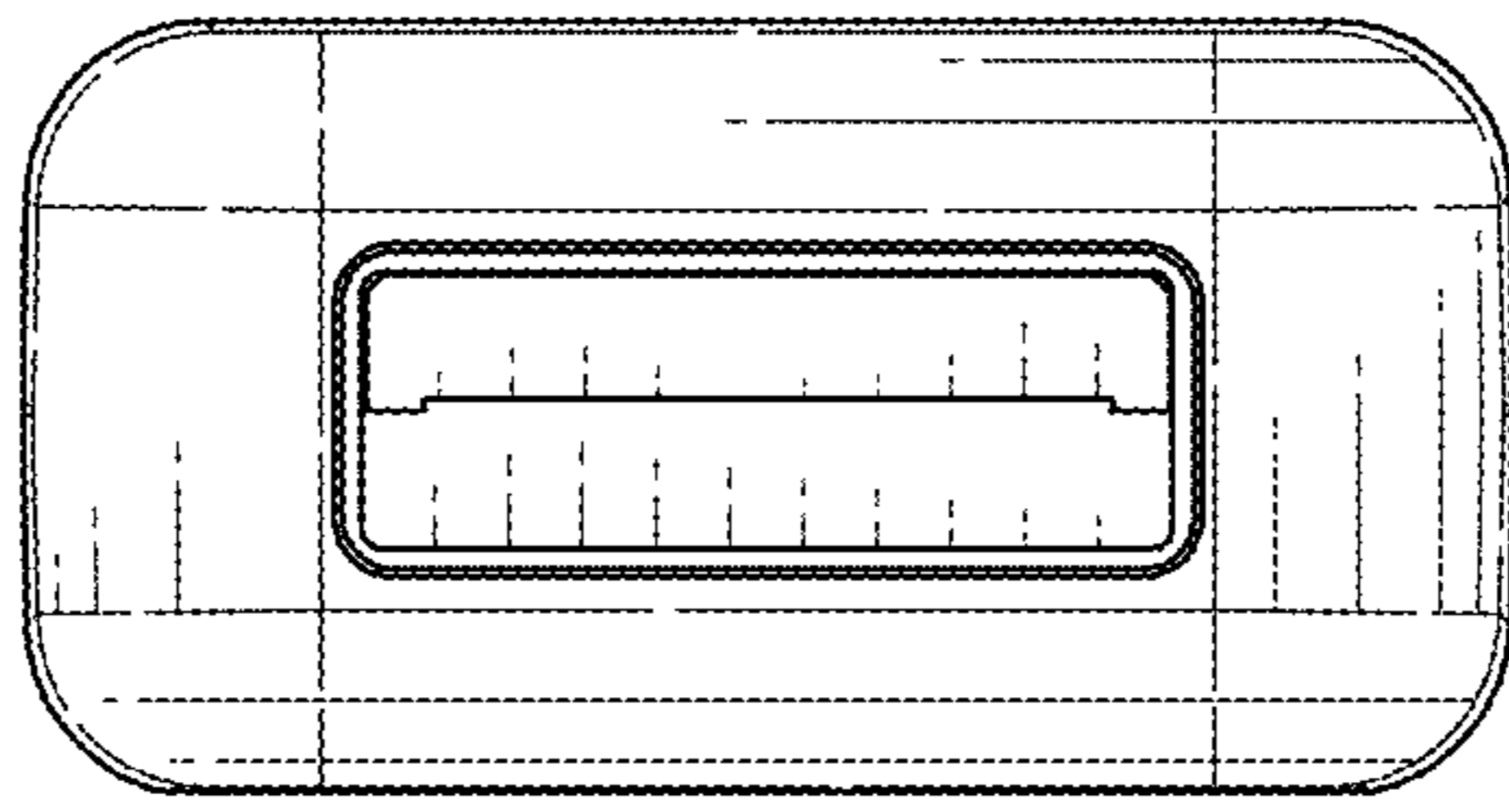


FIG. 5

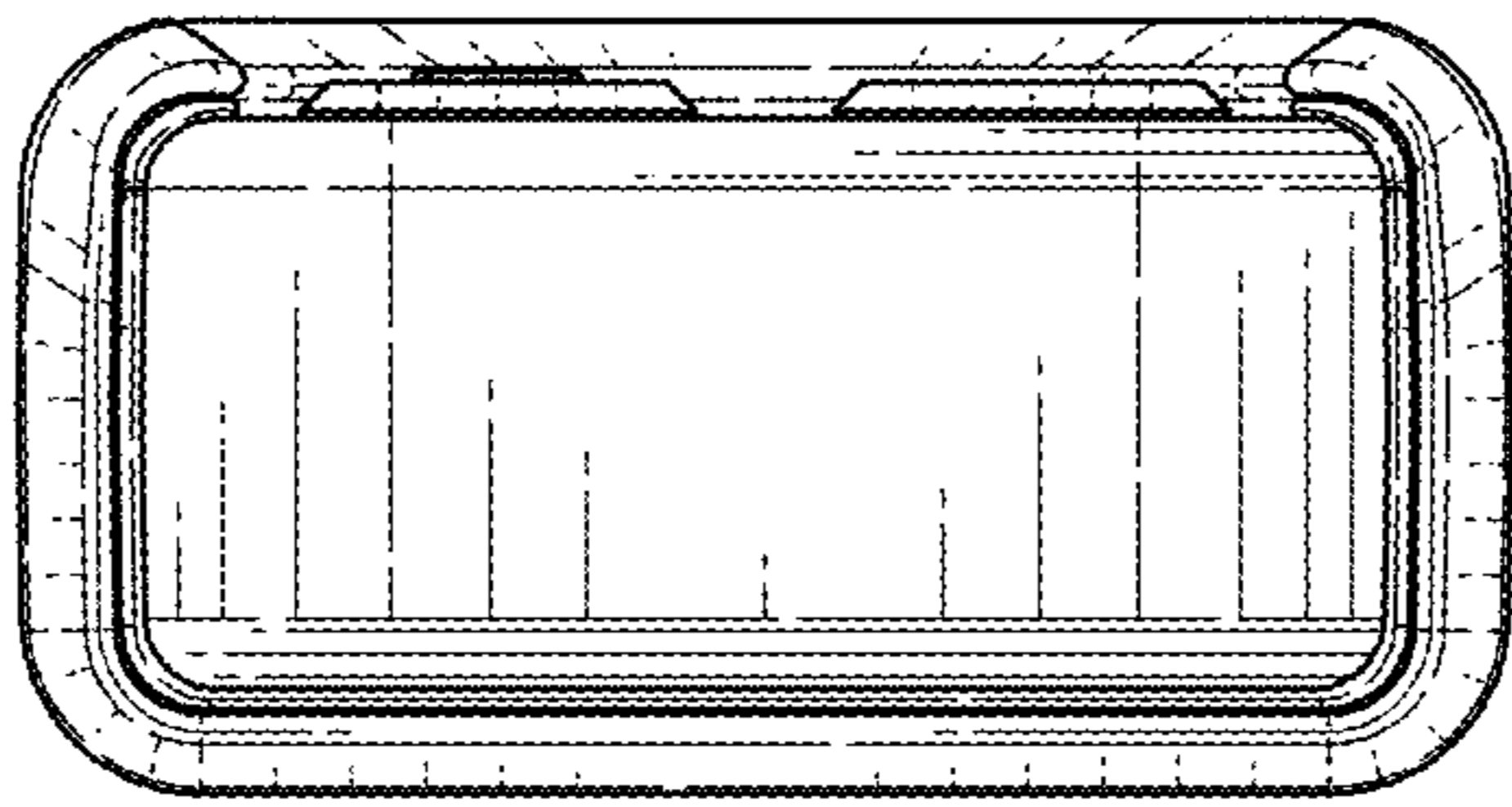


FIG. 6

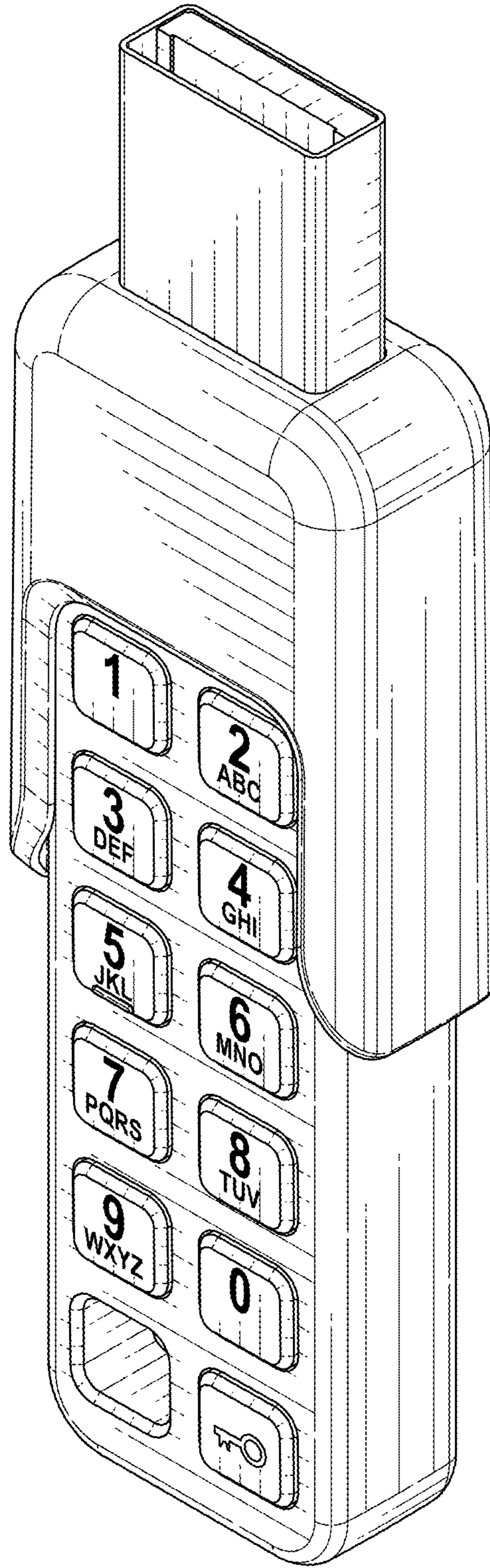


FIG. 7

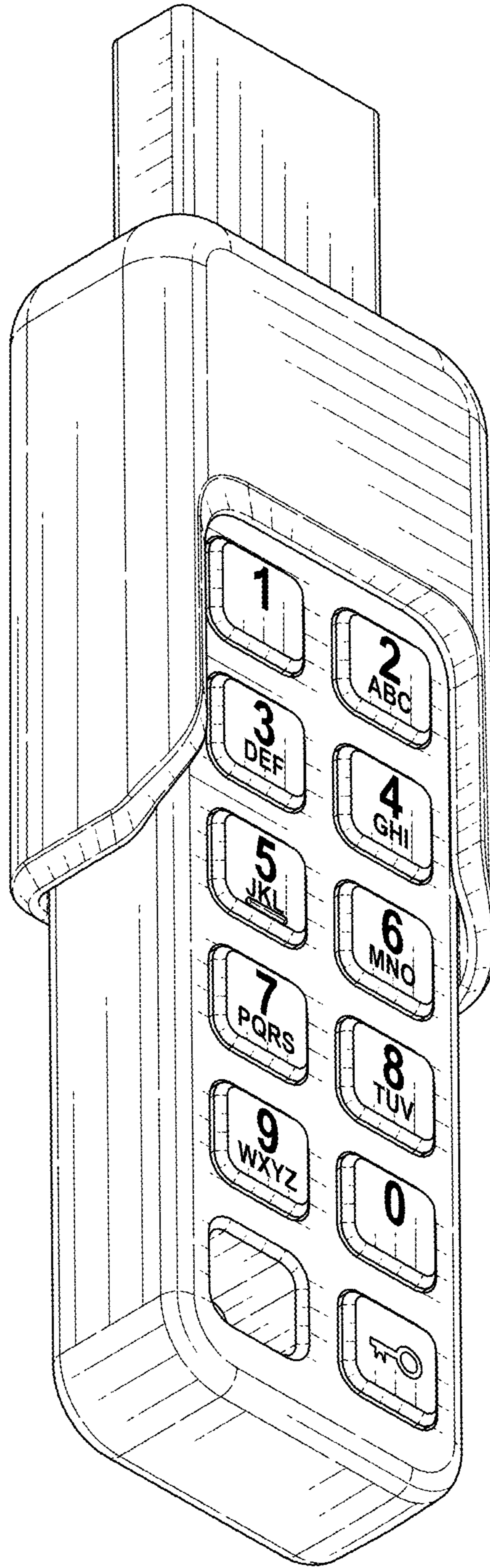


FIG. 8

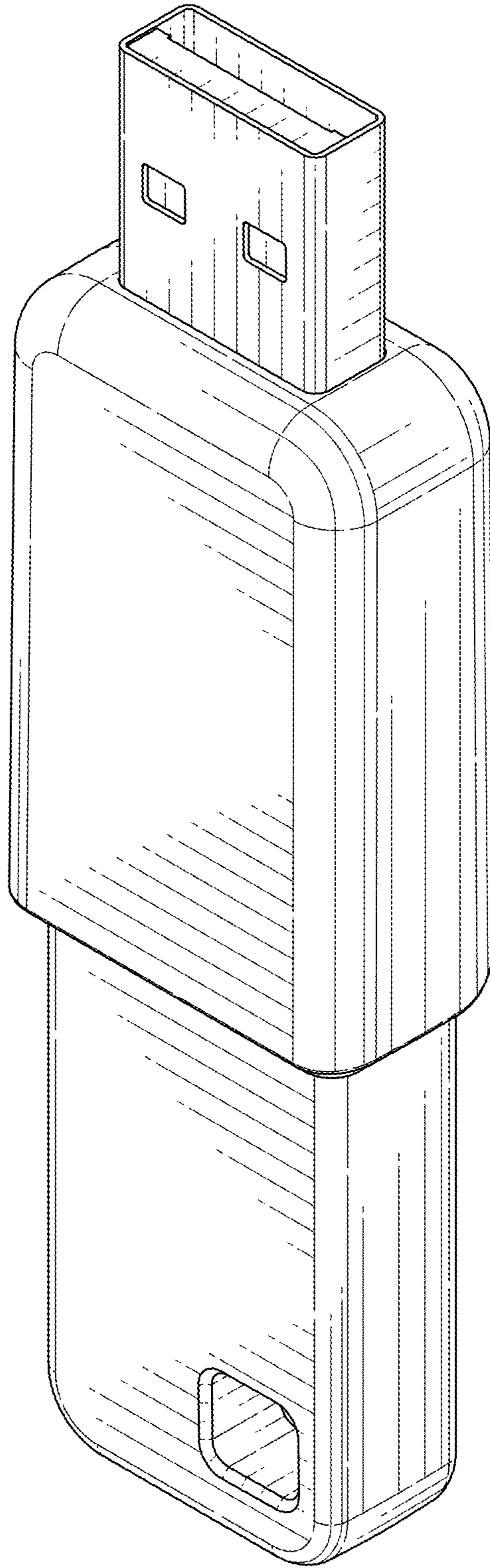


FIG. 9

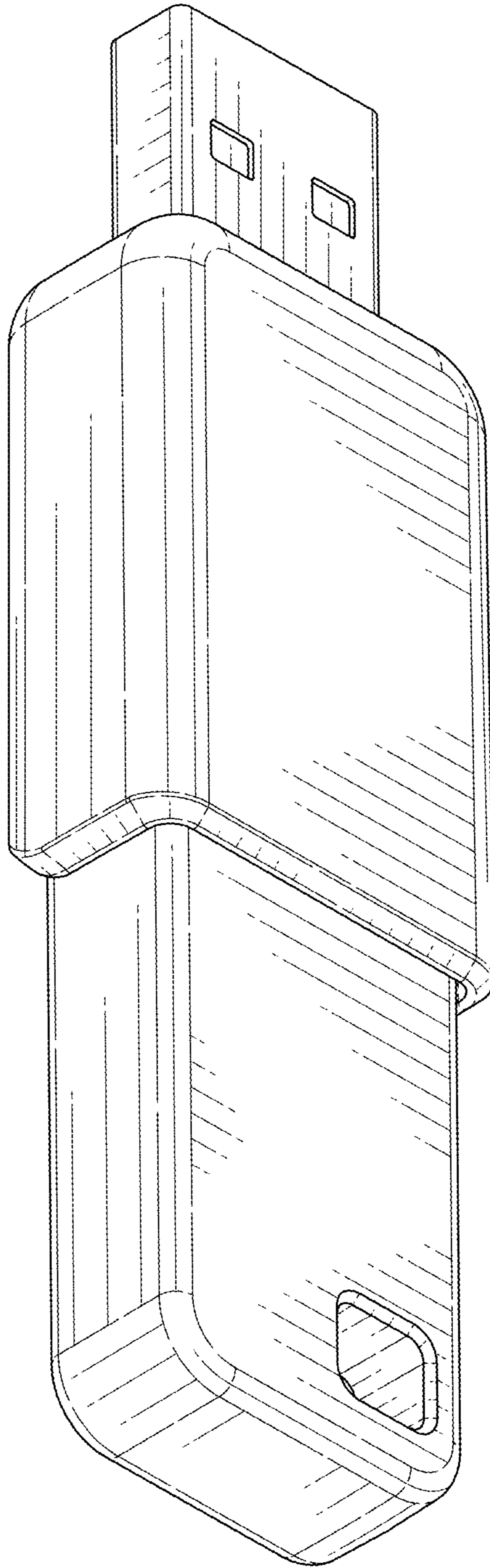


FIG. 10

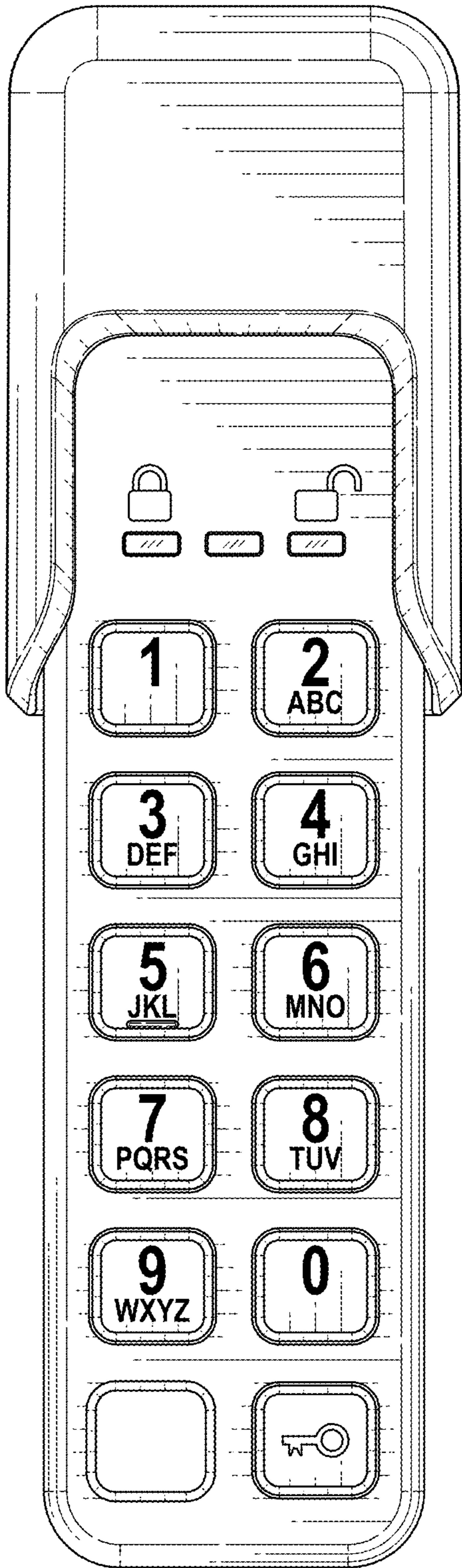


FIG. 11

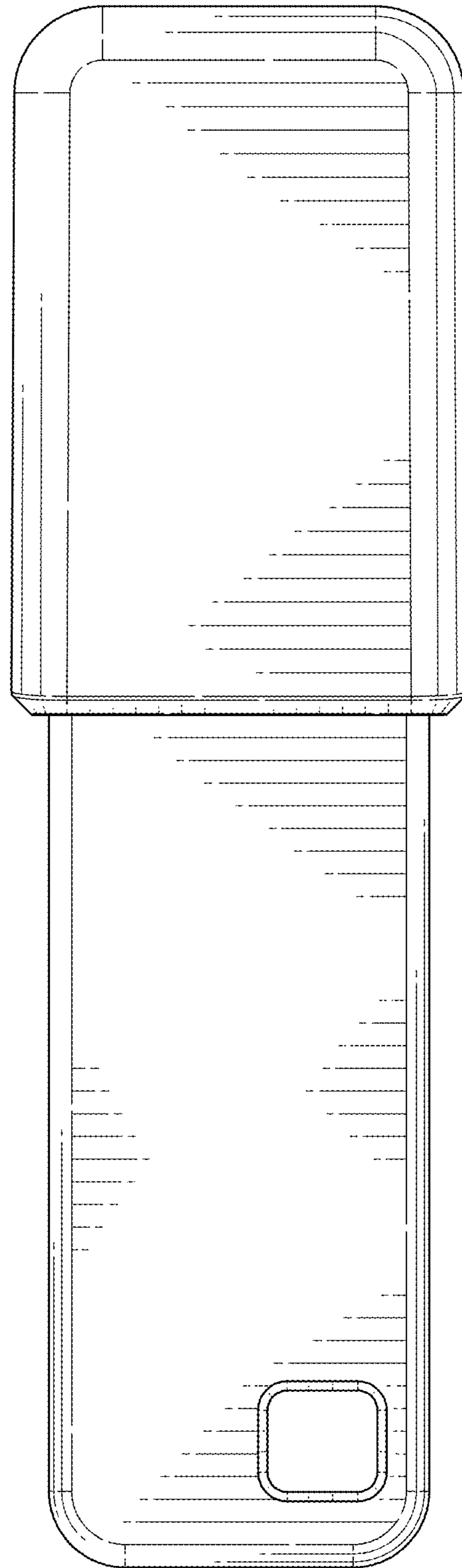


FIG. 12

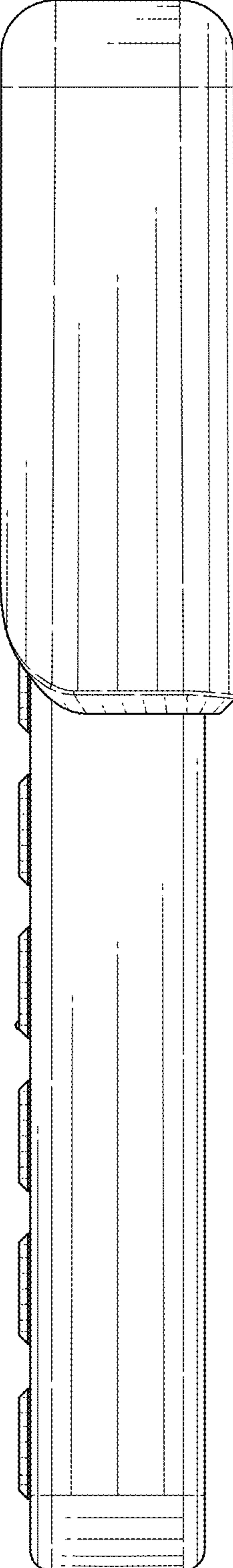


FIG. 13

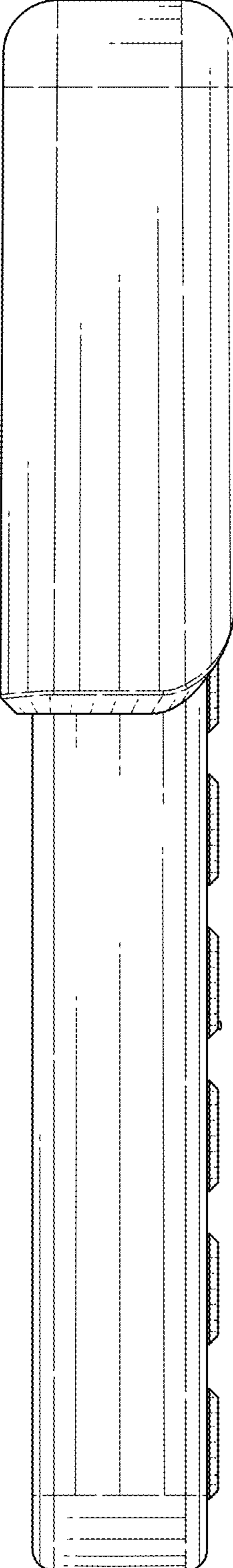


FIG. 14

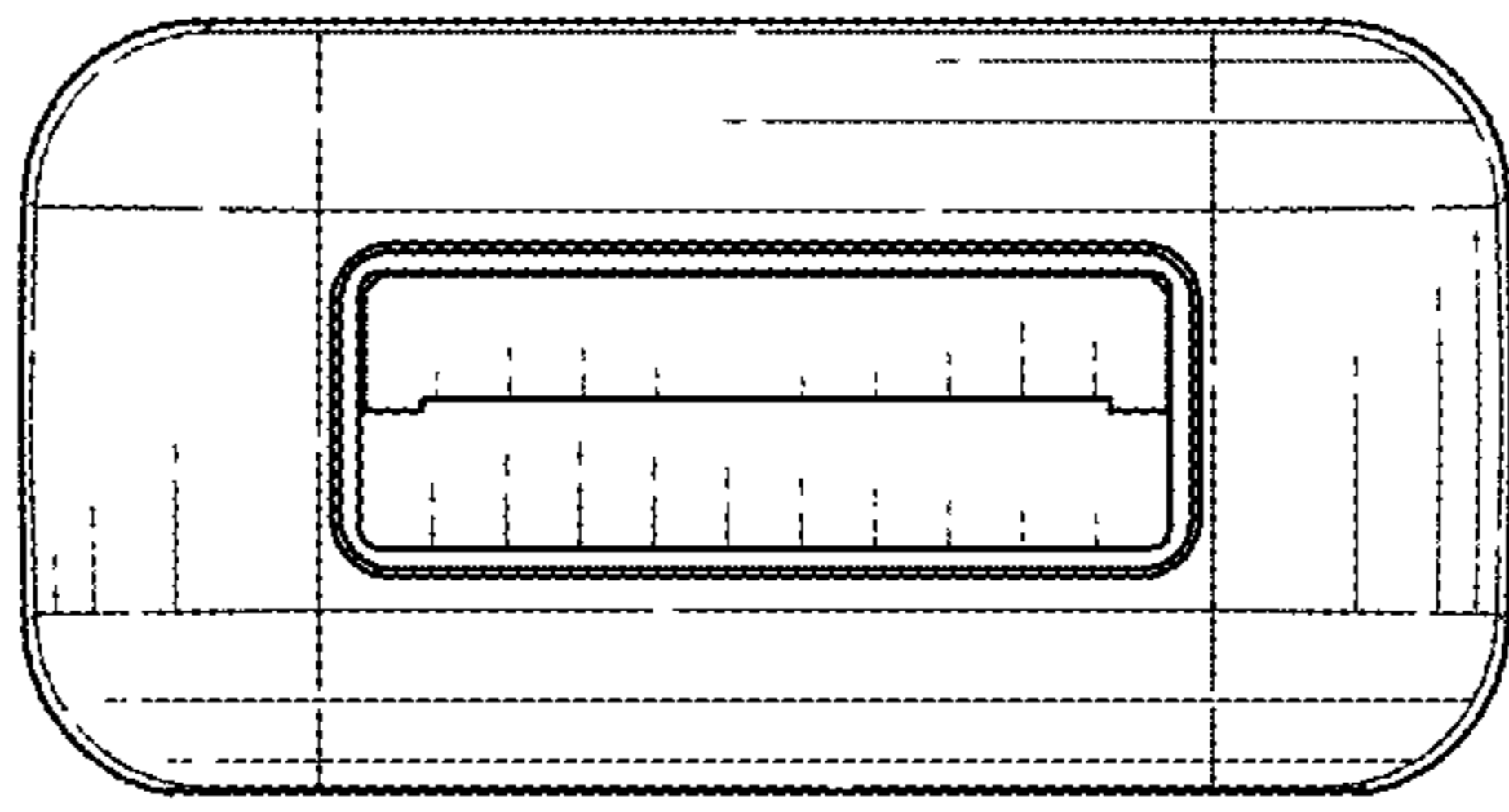


FIG. 15

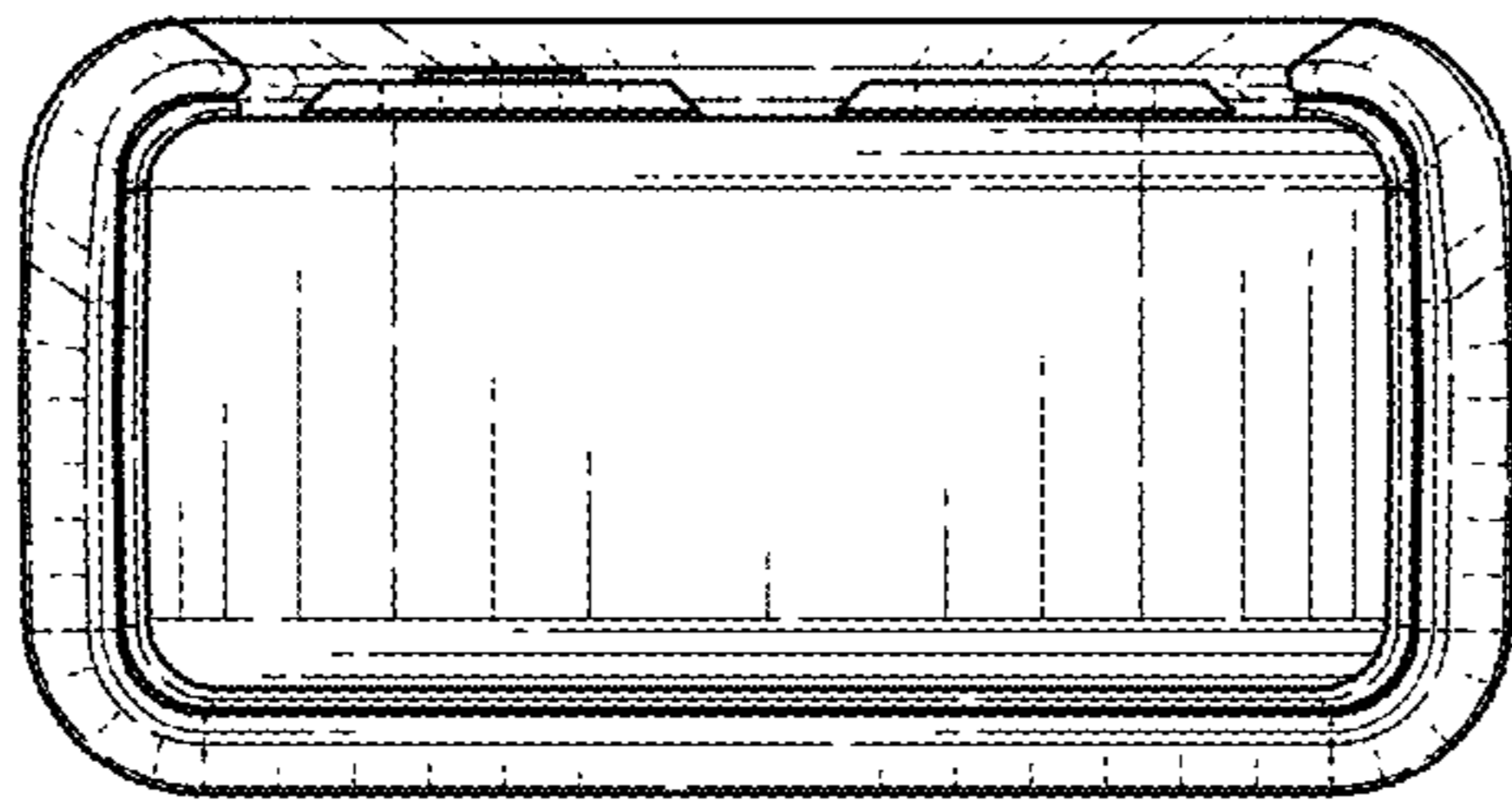


FIG. 16

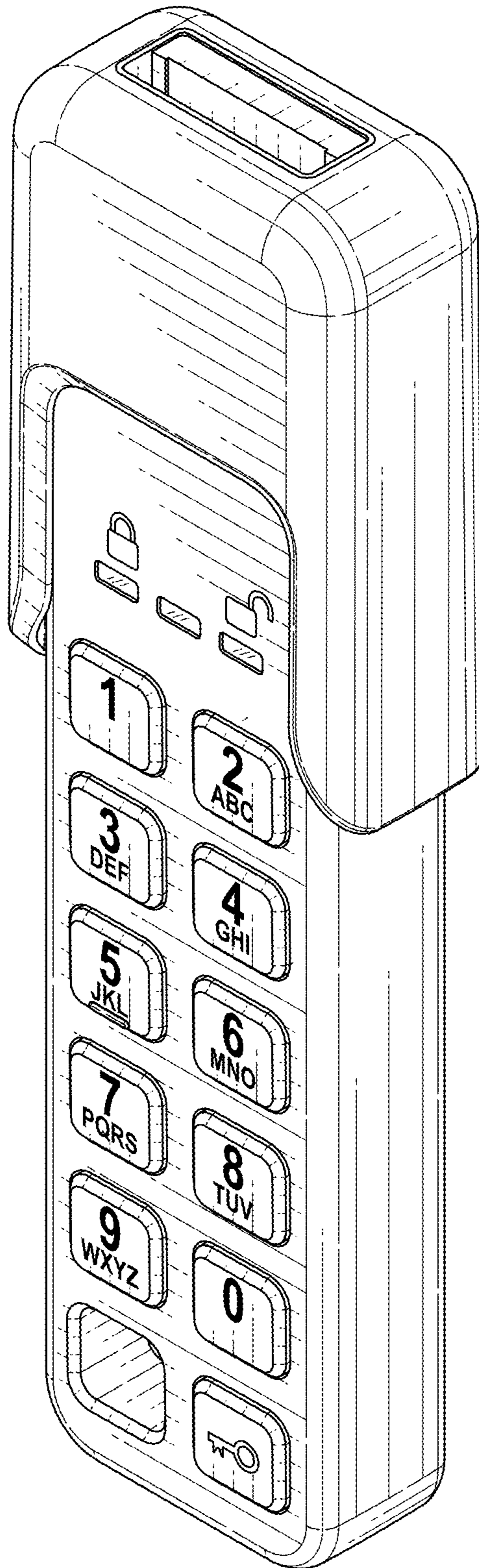


FIG. 17

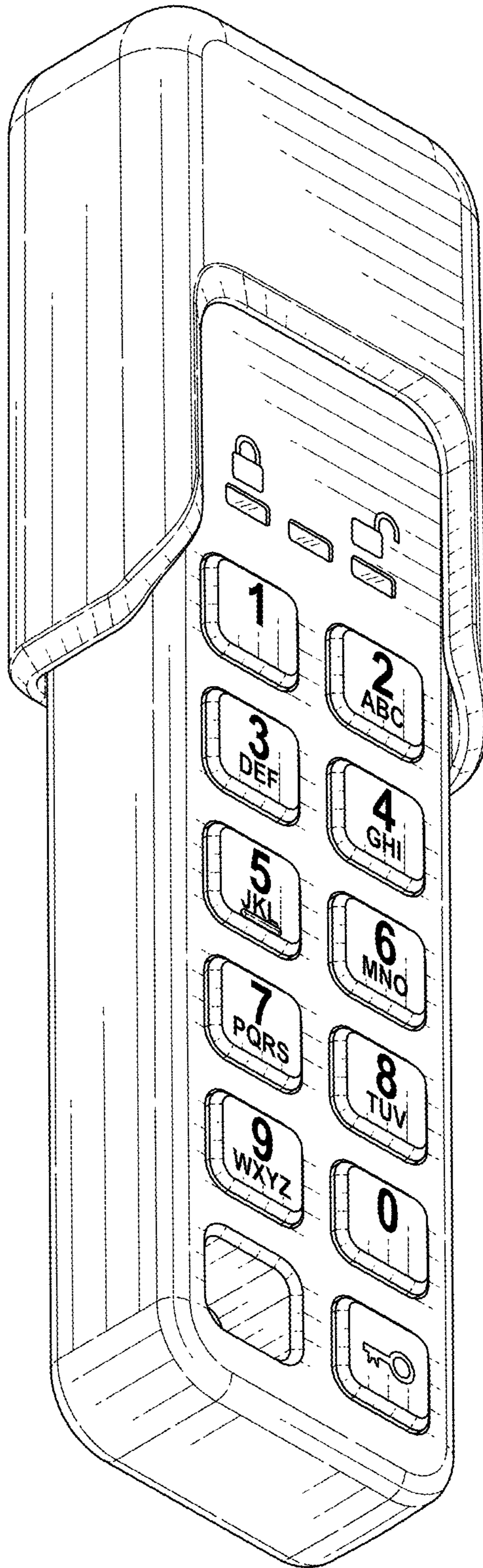


FIG. 18

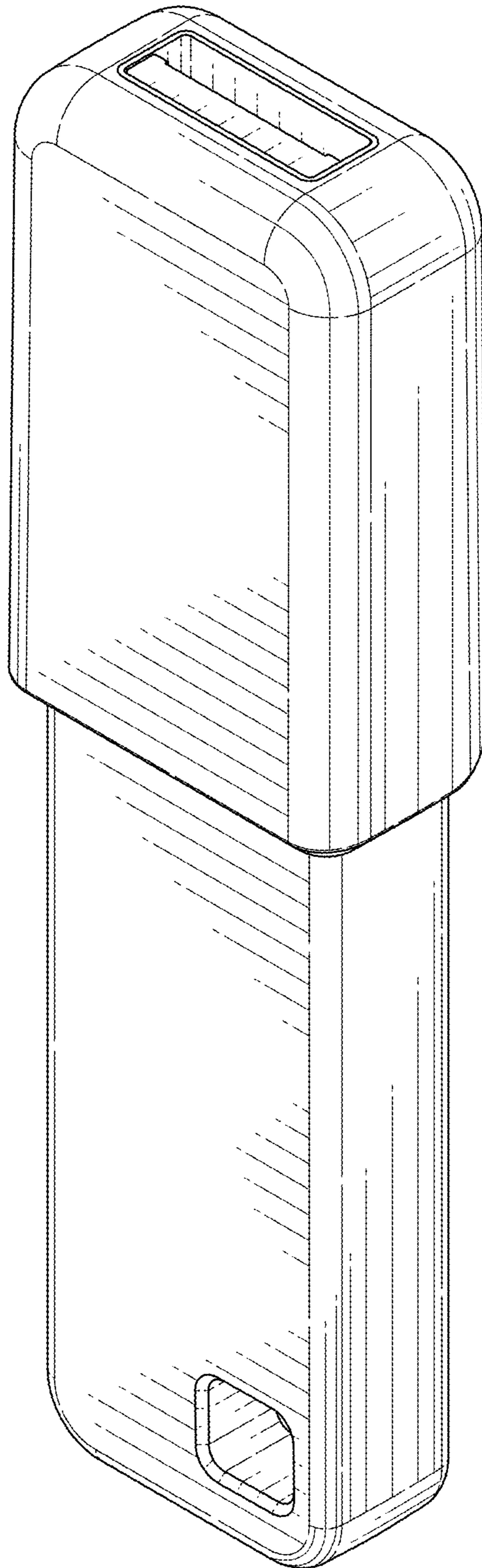


FIG. 19

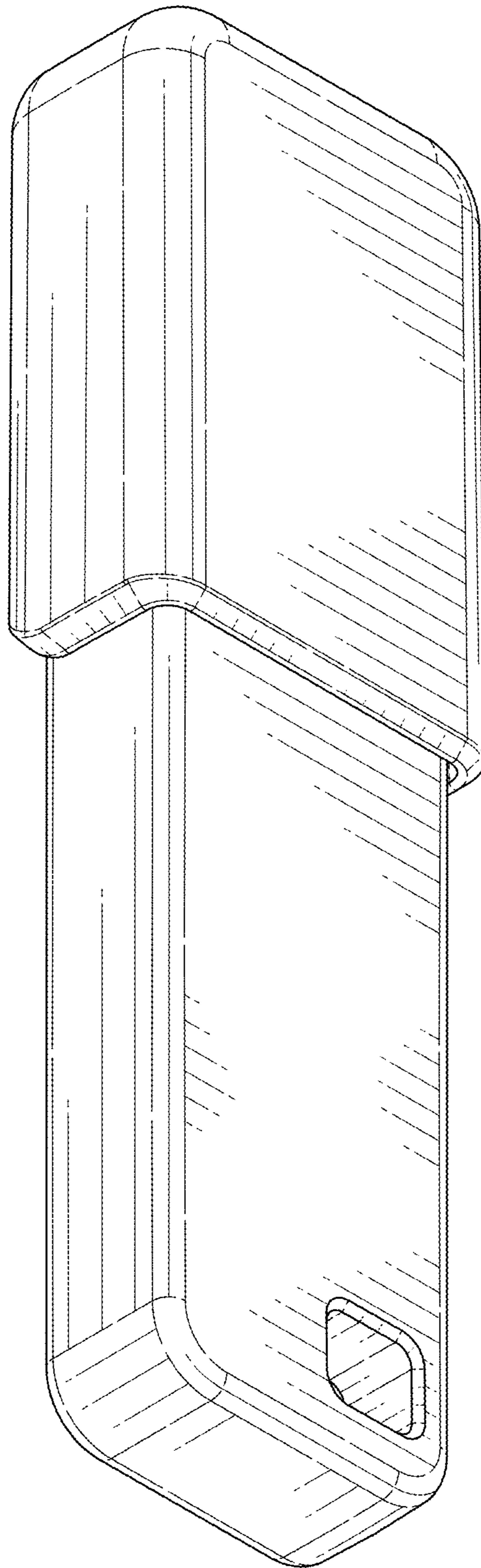


FIG. 20