



US00D968416S

(12) **United States Design Patent**
Pan

(10) **Patent No.:** **US D968,416 S**

(45) **Date of Patent:** **** Nov. 1, 2022**

(54) **LAPTOP STAND**

(71) Applicant: **DONGGUAN RUNBONE TECHNOLOGY CO., LTD**, Dongguan (CN)

(72) Inventor: **Zhi Pan**, Shenzhen (CN)

(73) Assignee: **DONGGUAN RUNBONE TECHNOLOGY CO., LTD**, Dongguan (CN)

(**) Term: **15 Years**

(21) Appl. No.: **29/795,701**

(22) Filed: **Jun. 21, 2021**

(30) **Foreign Application Priority Data**

Dec. 22, 2020 (EM) 008362107-0002

(51) **LOC (13) Cl.** **14-03**

(52) **U.S. Cl.**
USPC **D14/447; D14/440**

(58) **Field of Classification Search**
USPC D14/251-253, 447, 217, 250, 440;
D3/218; D12/415; D13/108
CPC A45C 2011/002; A45F 2200/0516; H04B
2001/3861; H04M 1/04
See application file for complete search history.

(56) **References Cited**

U.S. PATENT DOCUMENTS

- D560,068 S * 1/2008 Dixon A45F 5/02
D3/218
- D592,188 S * 5/2009 Huang D14/447
- D637,593 S * 5/2011 Zanetti D14/253
- D640,707 S * 6/2011 Yeh D14/447
- D652,836 S * 1/2012 Voorhees D14/238.1
- D653,668 S * 2/2012 Song D14/447
- D660,306 S * 5/2012 Voorhees D14/238.1

- D668,660 S * 10/2012 Norfolk D14/440
- D669,890 S * 10/2012 Hopkins D14/251
- D673,960 S * 1/2013 Lindfield D14/447
- D674,803 S * 1/2013 Westrup A45C 3/02
D14/440
- D686,629 S * 7/2013 Trinh D14/447
- D687,440 S * 8/2013 Shieh D14/447
- D691,148 S * 10/2013 Weatherby, III D14/447
- D703,657 S * 4/2014 Carnevali D14/253
- D704,194 S * 5/2014 Young D14/440
- D717,804 S * 11/2014 Budge D14/447
- D719,144 S * 12/2014 Eulette D14/250
- D719,951 S * 12/2014 Fenton D14/253
- D736,217 S * 8/2015 Wang D14/451
- 9,229,494 B2 * 1/2016 Rayner G06F 1/163
- 9,297,495 B2 * 3/2016 Fischer F16M 11/041
- D764,478 S * 8/2016 Radmard H04M 1/11
D14/440

D769,852 S * 10/2016 Godycki D14/250
(Continued)

Primary Examiner — Janice Hallmark

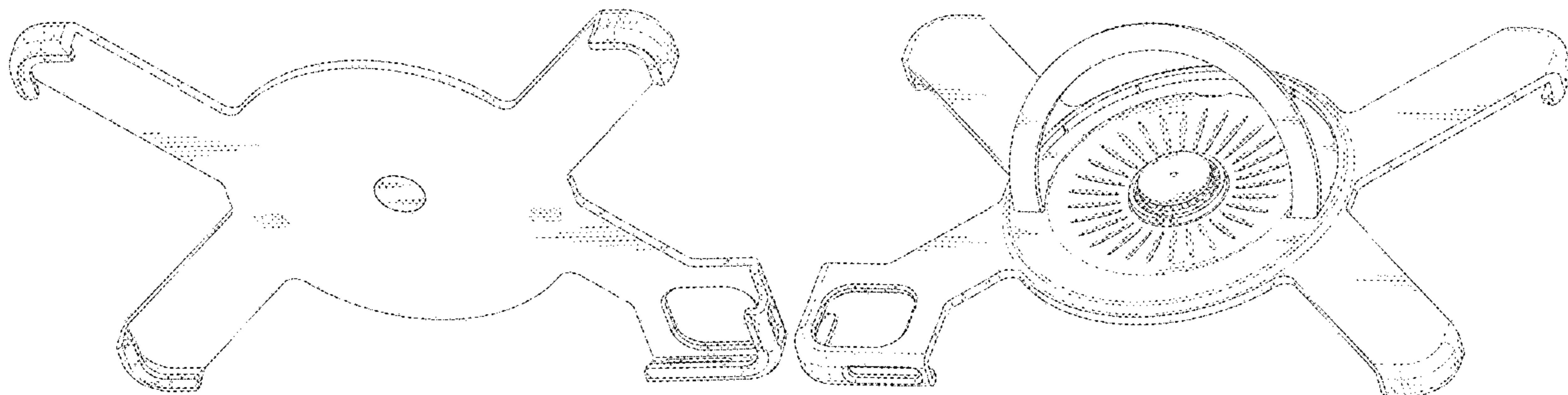
(57) **CLAIM**

The ornamental design for a laptop stand, as shown and described.

DESCRIPTION

FIG. 1 is a perspective view of a laptop stand showing my new design;
FIG. 2 is another perspective view thereof;
FIG. 3 is a front elevational view thereof;
FIG. 4 is a rear elevational view thereof;
FIG. 5 is a left side elevational view thereof;
FIG. 6 is a right side elevational view thereof;
FIG. 7 is a top plan view thereof;
FIG. 8 is a bottom plan view thereof; and,
FIG. 9 is a perspective view of the laptop stand where the laptop stand is in a configuration of use.
The broken lines in the drawings depict portions of the laptop stand that form no part of the claimed design.

1 Claim, 9 Drawing Sheets



(56)

References Cited

U.S. PATENT DOCUMENTS

D795,263 S * 8/2017 Fujioka D14/440
 D800,107 S * 10/2017 Godycki D14/250
 9,847,806 B1 * 12/2017 Dickie H04M 1/0202
 10,001,153 B1 * 6/2018 Fan F16M 13/00
 D827,652 S * 9/2018 Jacques D14/447
 D833,447 S 11/2018 Zhang et al.
 D833,448 S 11/2018 Kilkenny
 D835,088 S * 12/2018 Zhuang D14/440
 D849,750 S * 5/2019 Armstrong D14/440
 D868,788 S * 12/2019 Weng D14/440
 D870,095 S * 12/2019 Hu D14/253
 D870,799 S * 12/2019 Ramones D16/242
 D897,328 S * 9/2020 Eulette D14/250
 D898,036 S * 10/2020 Cheng D14/440
 D899,430 S * 10/2020 Siedow D14/440
 D917,491 S * 4/2021 Cheng D14/440
 D927,502 S * 8/2021 Akana D14/452
 D930,655 S * 9/2021 Lin D14/447
 D937,275 S * 11/2021 Cheng D14/440
 D939,513 S * 12/2021 Fleming D14/440
 D942,440 S * 2/2022 Chapuis D14/447
 D944,256 S * 2/2022 Cheng D14/440
 D952,643 S * 5/2022 Chen D14/447
 2003/0222149 A1 * 12/2003 Solomon G06F 1/166
 235/472.01
 2012/0193496 A1 * 8/2012 Li G06F 1/1628
 248/316.1
 2015/0156900 A1 * 6/2015 Yeh H05K 5/02
 312/223.1

* cited by examiner

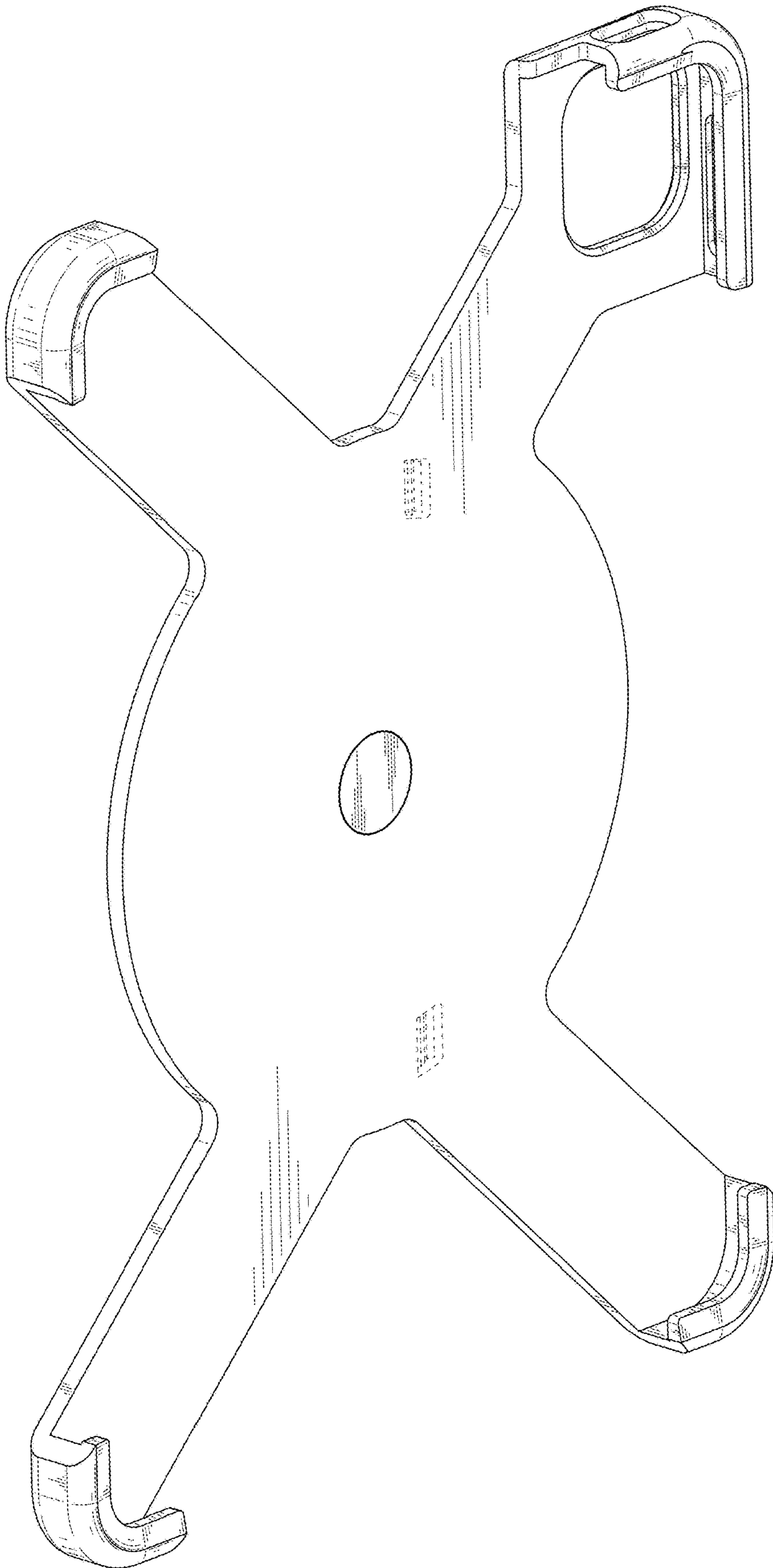


FIG. 1

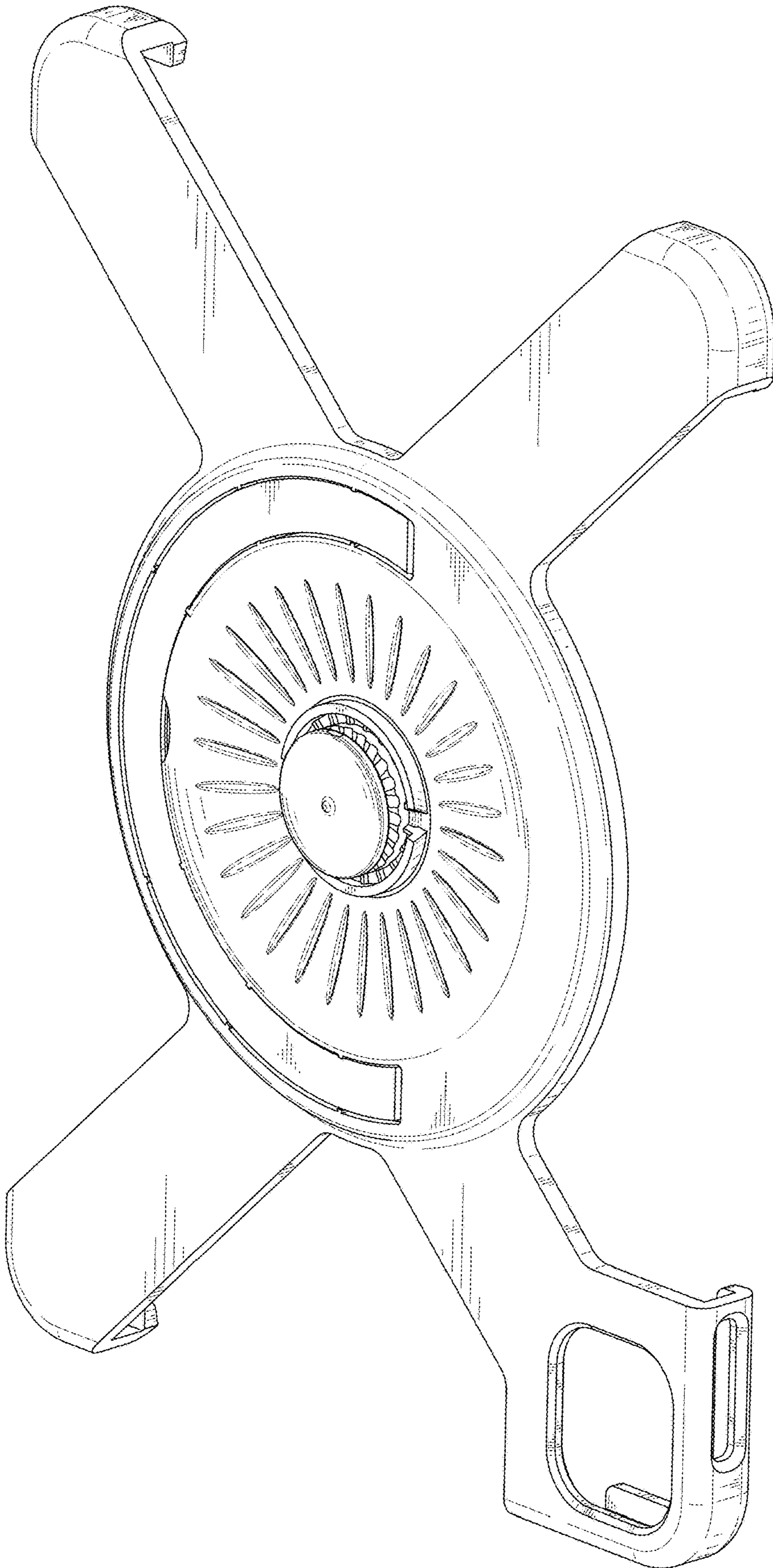


FIG. 2

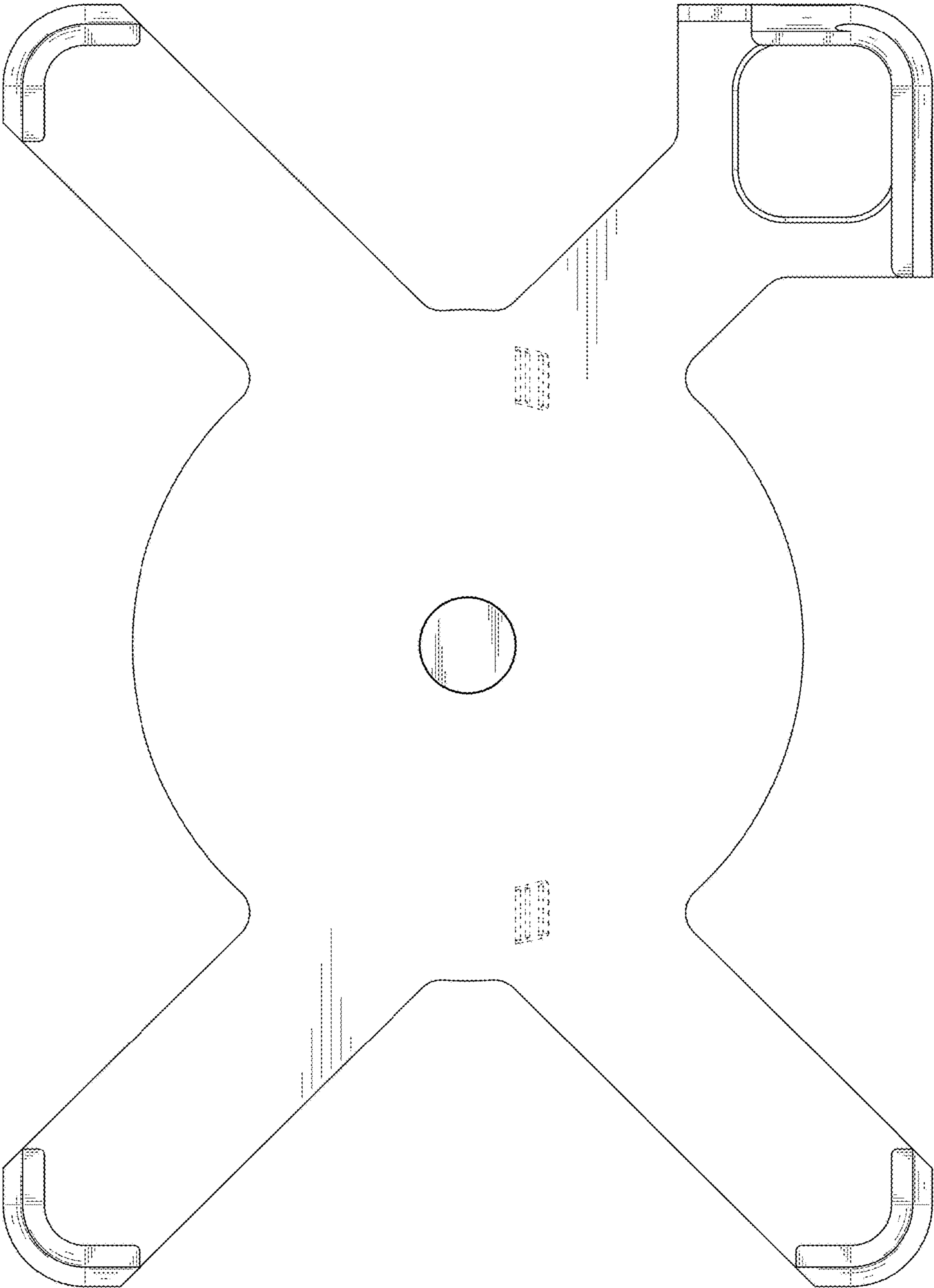


FIG. 3

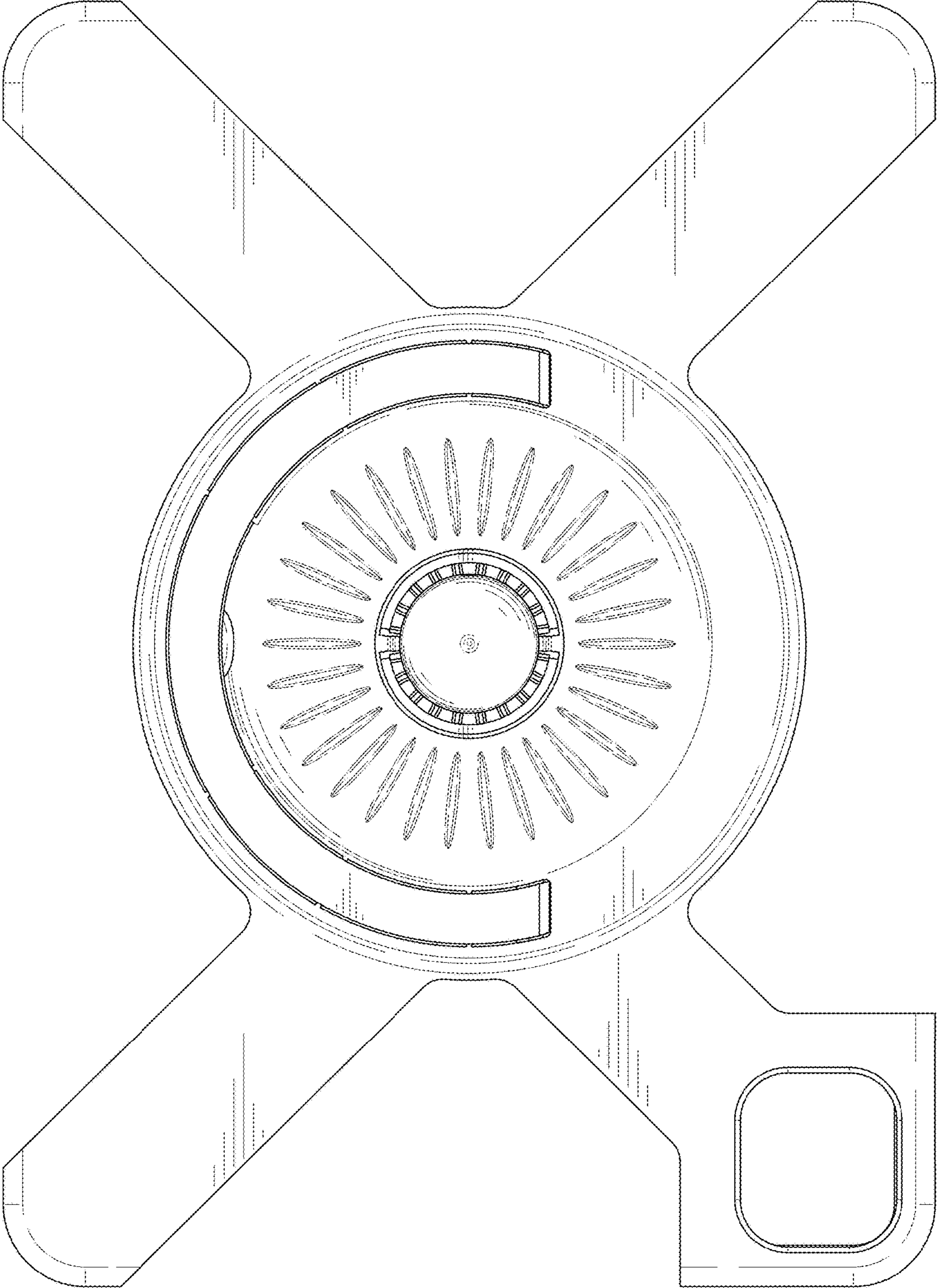


FIG. 4

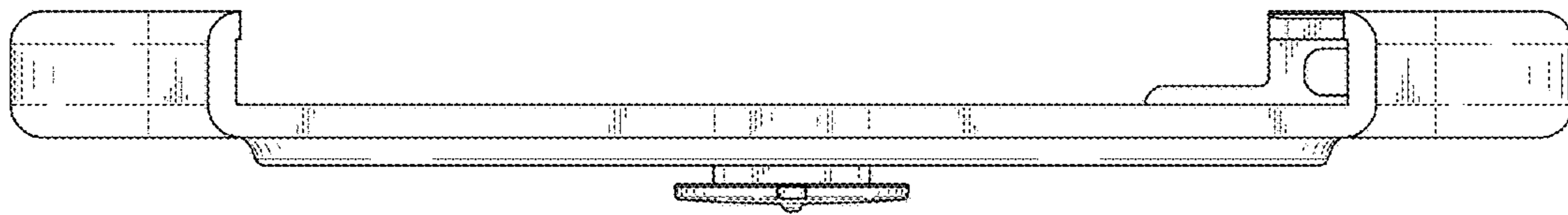


FIG. 5

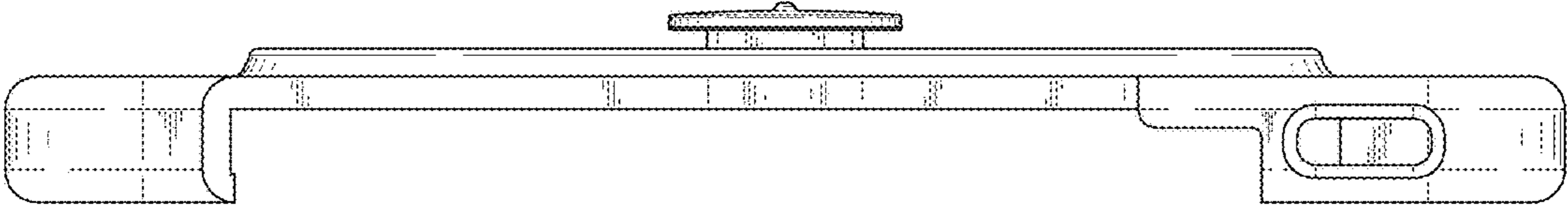


FIG. 6

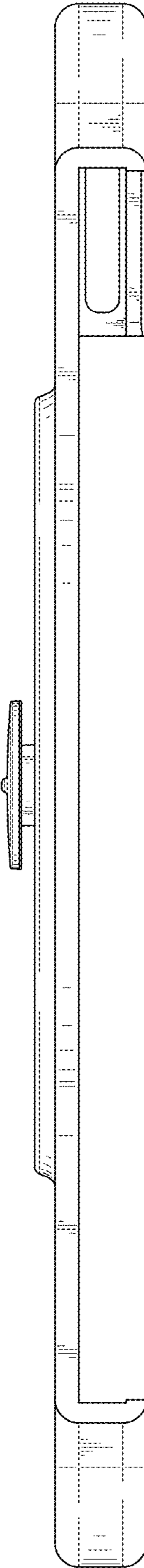


FIG. 7

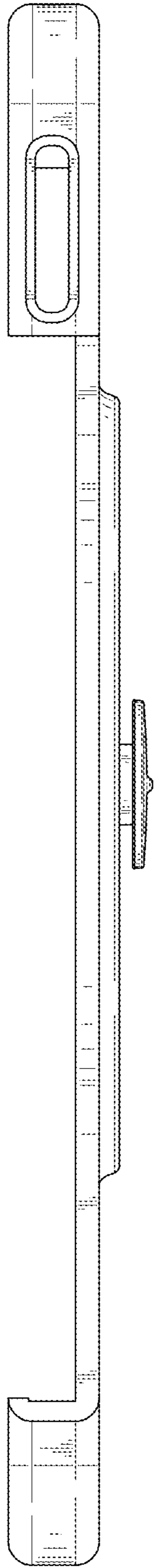


FIG. 8

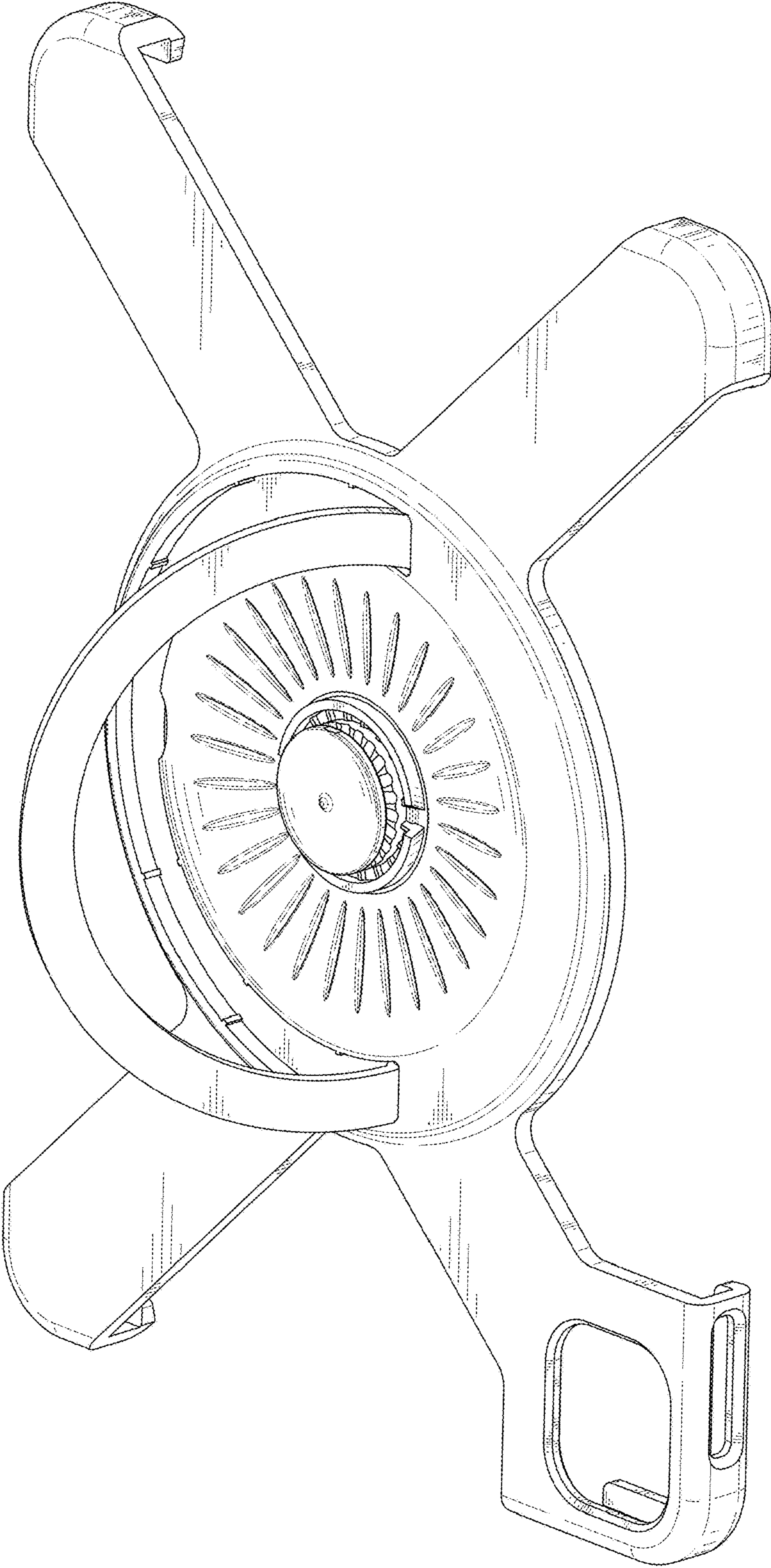


FIG. 9