



US00D968415S

(12) **United States Design Patent**
Chen

(10) **Patent No.:** **US D968,415 S**

(45) **Date of Patent:** **** Nov. 1, 2022**

(54) **LAPTOP STAND**

(71) Applicant: **Shenzhen Weilisheng Technology Development Co., Ltd.**, Shenzhen (CN)

(72) Inventor: **Xiongbin Chen**, Shenzhen (CN)

(**) Term: **15 Years**

(21) Appl. No.: **29/776,395**

(22) Filed: **Mar. 30, 2021**

(51) **LOC (13) Cl.** **14-02**

(52) **U.S. Cl.**
USPC **D14/447**

(58) **Field of Classification Search**
USPC D14/251, 252, 432, 434, 440, 447, 451,
D14/452, 457; D6/300, 309, 312, 406.3,
D6/406.4, 406.5, 406.6; D19/91;
D8/349, 354, 355, 363, 373, 380
CPC A47B 2023/049; A47B 2097/006; A47B
23/04; A47B 23/043; A47B 23/044
See application file for complete search history.

(56) **References Cited**

U.S. PATENT DOCUMENTS

D898,748 S *	10/2020	Ma	D14/447
D902,936 S *	11/2020	Hong	D14/447
D904,416 S *	12/2020	Xu	D14/447
D915,414 S *	4/2021	Yang	D14/447
D921,642 S *	6/2021	Hong	D14/447
D937,279 S *	11/2021	Zhang	D14/447
D938,958 S *	12/2021	Zhang	D14/447
2008/0105811 A1 *	5/2008	Denby	A47B 23/044 248/460
2016/0316905 A1 *	11/2016	Olander	F16M 11/041

OTHER PUBLICATIONS

Amazon.com_ Gomyhom Laptop Stand, customer review oldest date Mar. 7, 2021 [online], retrieved May 4, 2022, available at URL:

https://www.amazon.com/Gomyhom-Foldable-Portable-Computer-Adjustable/dp/B08TWJR3N3/ref=cm_cr_arp_d_product_top (Year: 2021).*

Laptop Stand, VersionTECH. Stands for Desk Bed Adjustable Computer Holder Portable Riser Mount Ergonomic Stand with 6-Levels Angles Height Compatible for MacBook Air/Pro/Laptops/Notebooks/Tablets, Amazon.com, Aug. 11, 2020, VersionTECH., <https://www.amazon.com/dp/B08FM25DLC> (last accessed: Aug. 12, 2022).

* cited by examiner

Primary Examiner — Wendy L Arminio

Assistant Examiner — Carrie S Gelula

(74) *Attorney, Agent, or Firm* — Rumit Ranjit Kanakia

(57) **CLAIM**

The ornamental design for a laptop stand, as shown and described.

DESCRIPTION

FIG. 1 is a perspective view of a laptop stand showing my new design;

FIG. 2 is a bottom perspective view thereof;

FIG. 3 is a front view thereof;

FIG. 4 is a back view thereof;

FIG. 5 is a left-side view thereof;

FIG. 6 is a right-side view thereof;

FIG. 7 is a top view thereof;

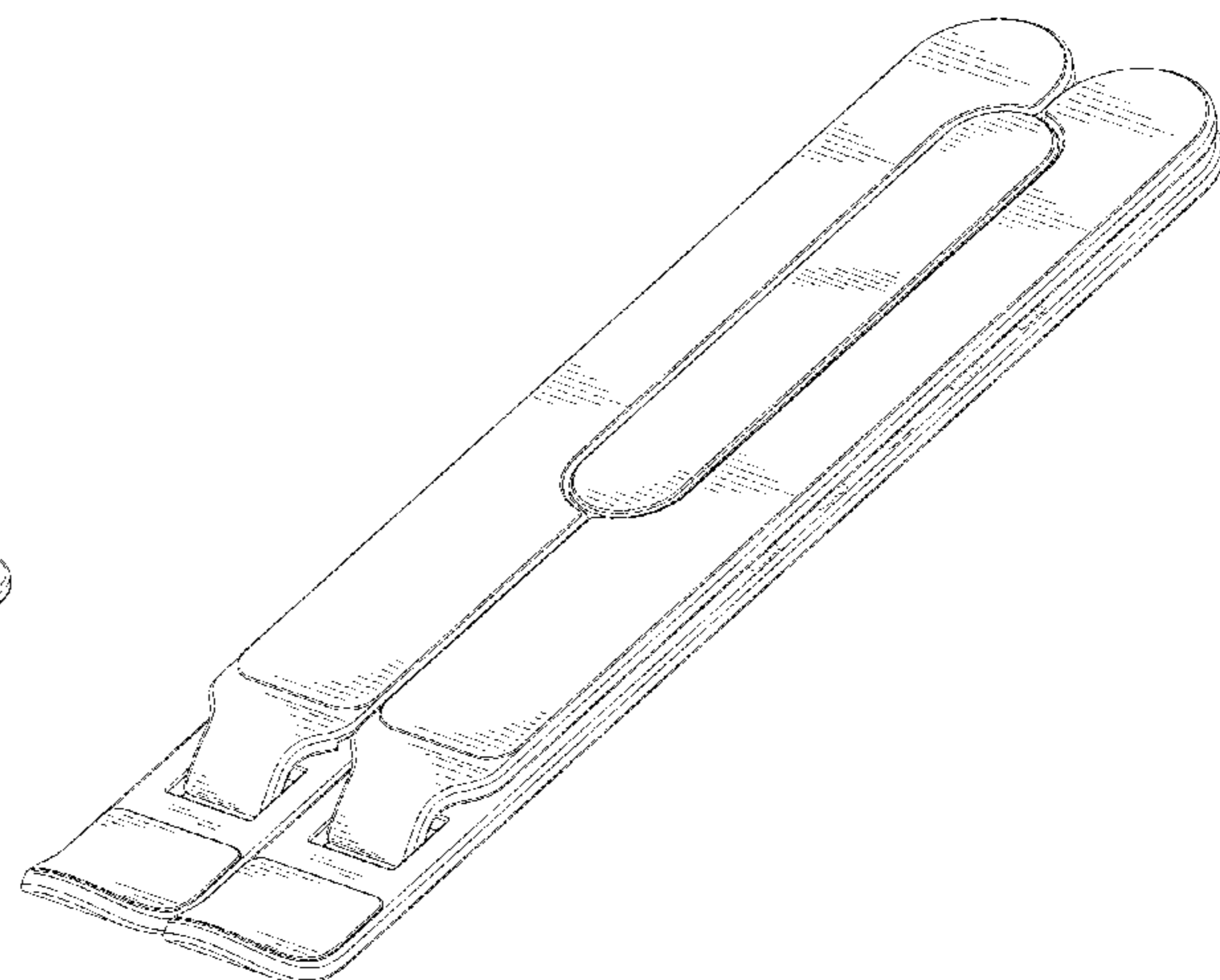
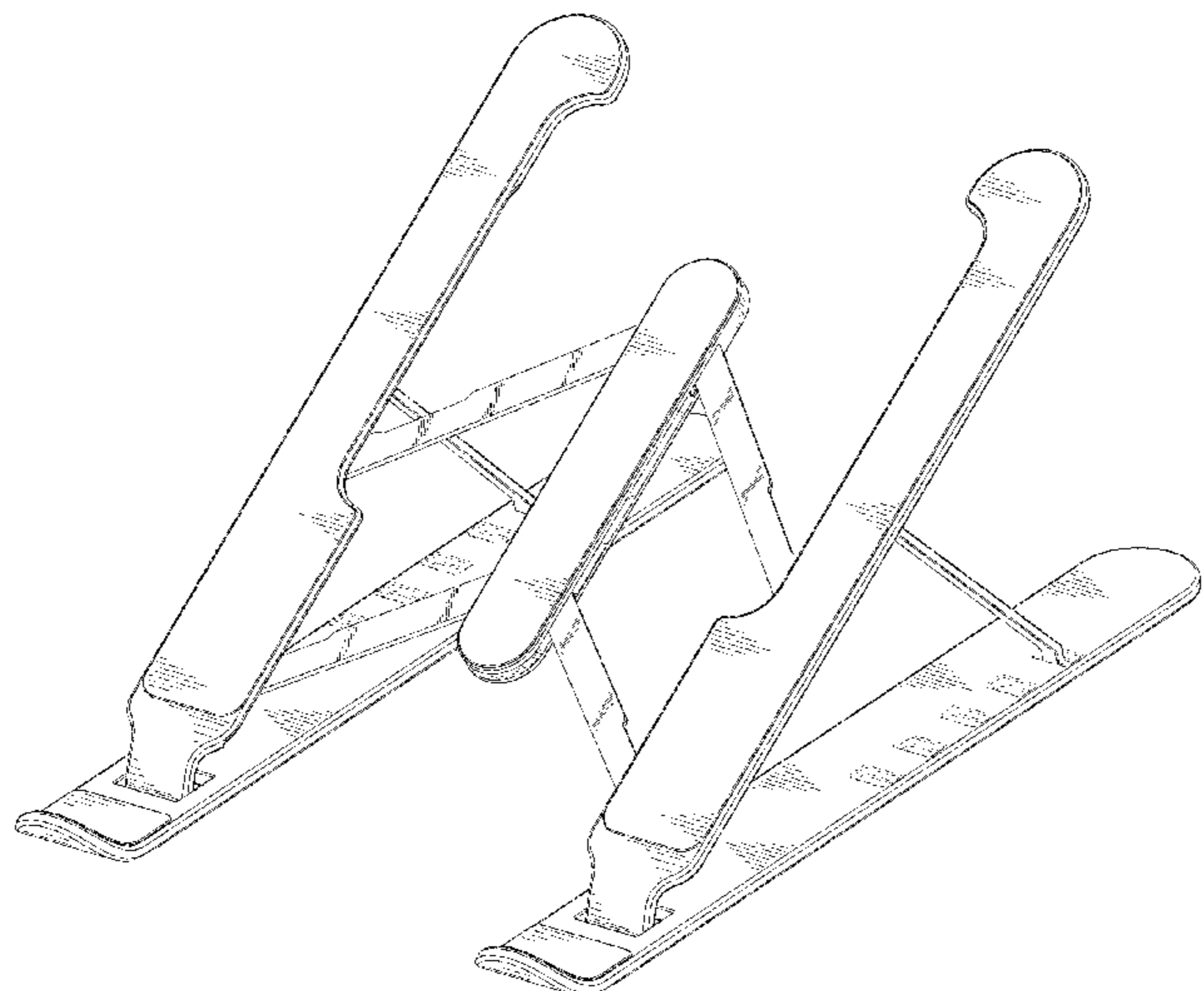
FIG. 8 is a bottom view thereof;

FIG. 9 is a perspective view of a laptop stand shown in a closed position; and,

FIG. 10 is a bottom perspective view of a laptop stand shown in a closed position.

The broken lines in the drawings depict portions of the laptop stand that form no part of the claimed design.

1 Claim, 10 Drawing Sheets



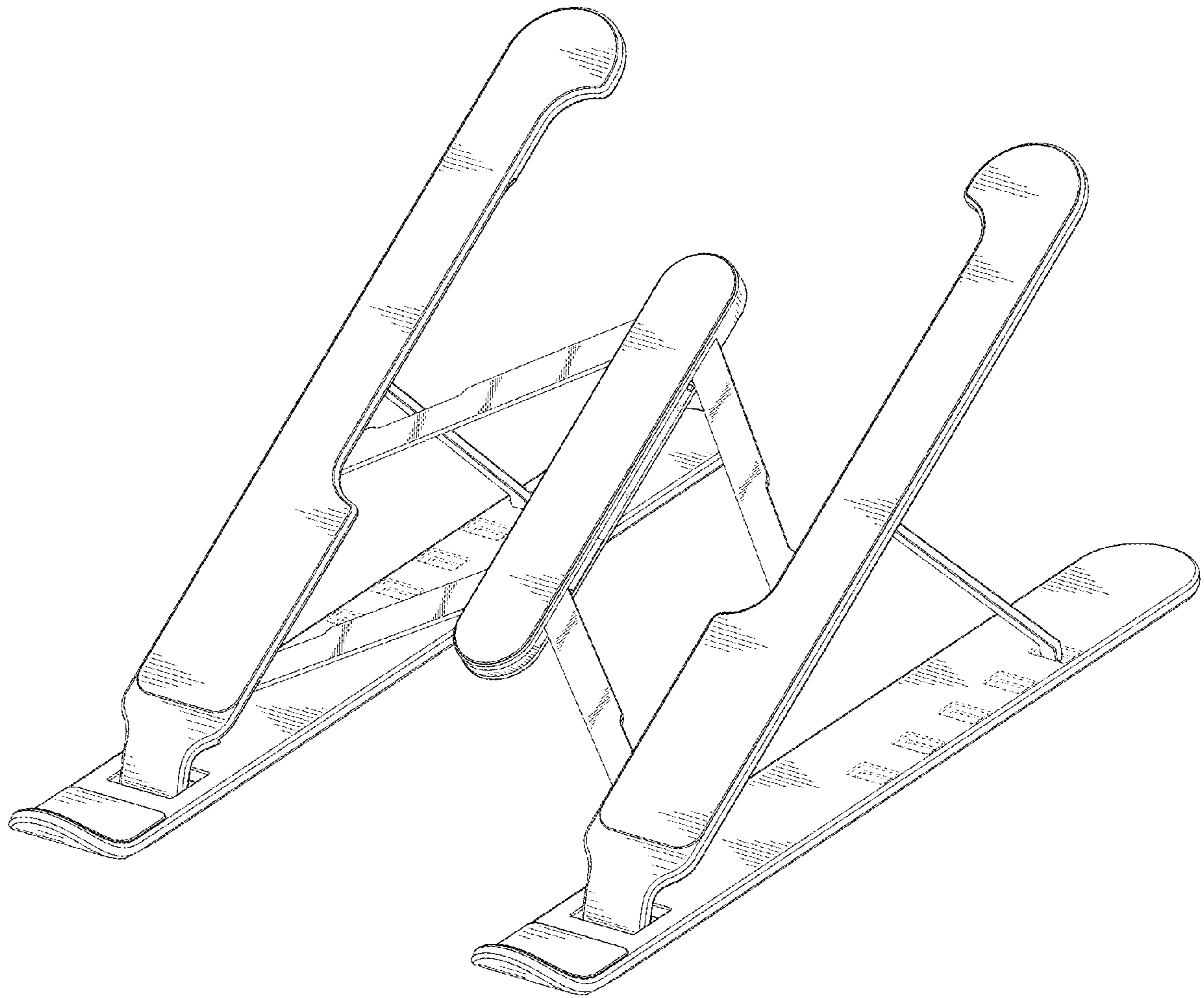


FIG. 1

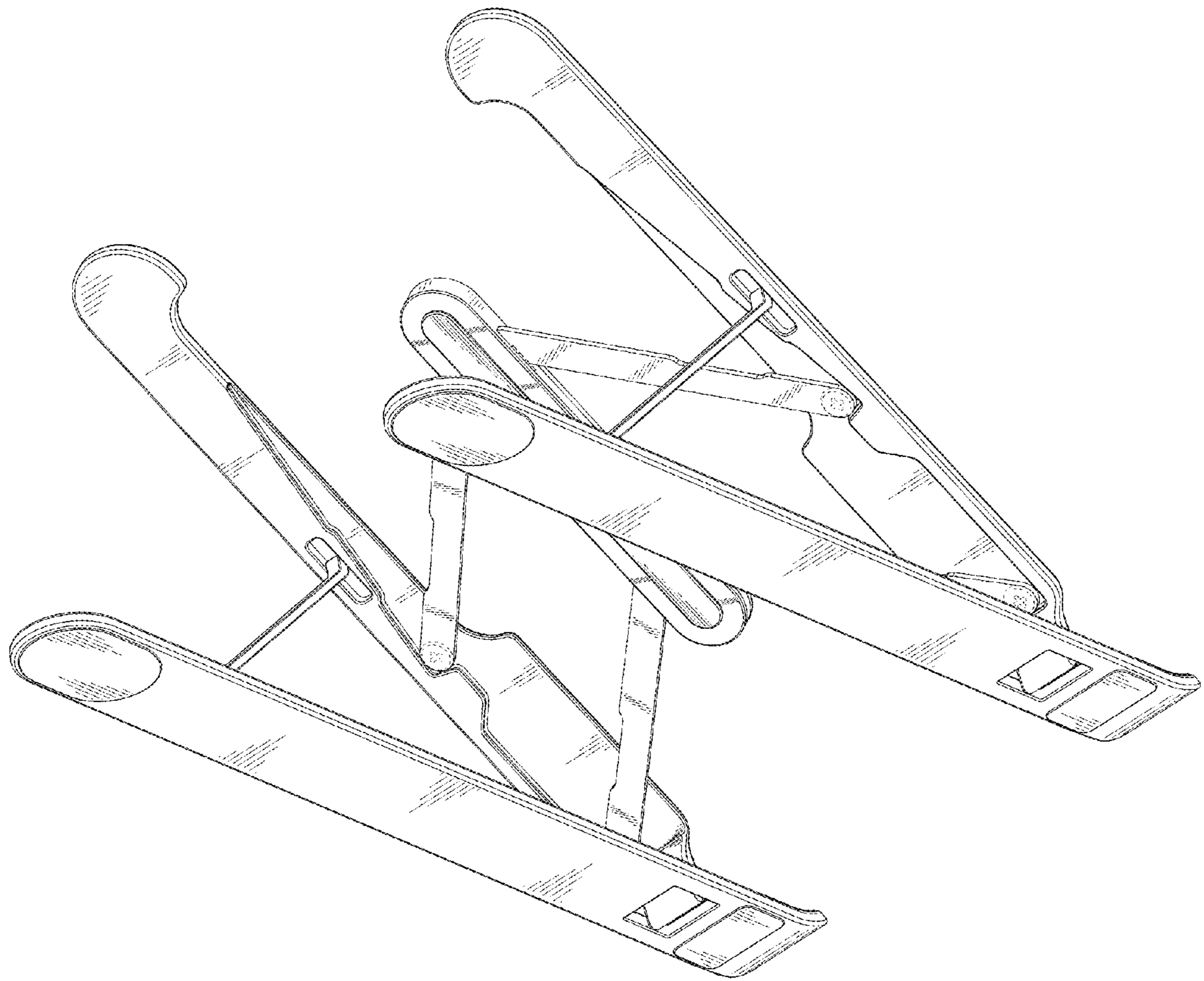


FIG. 2

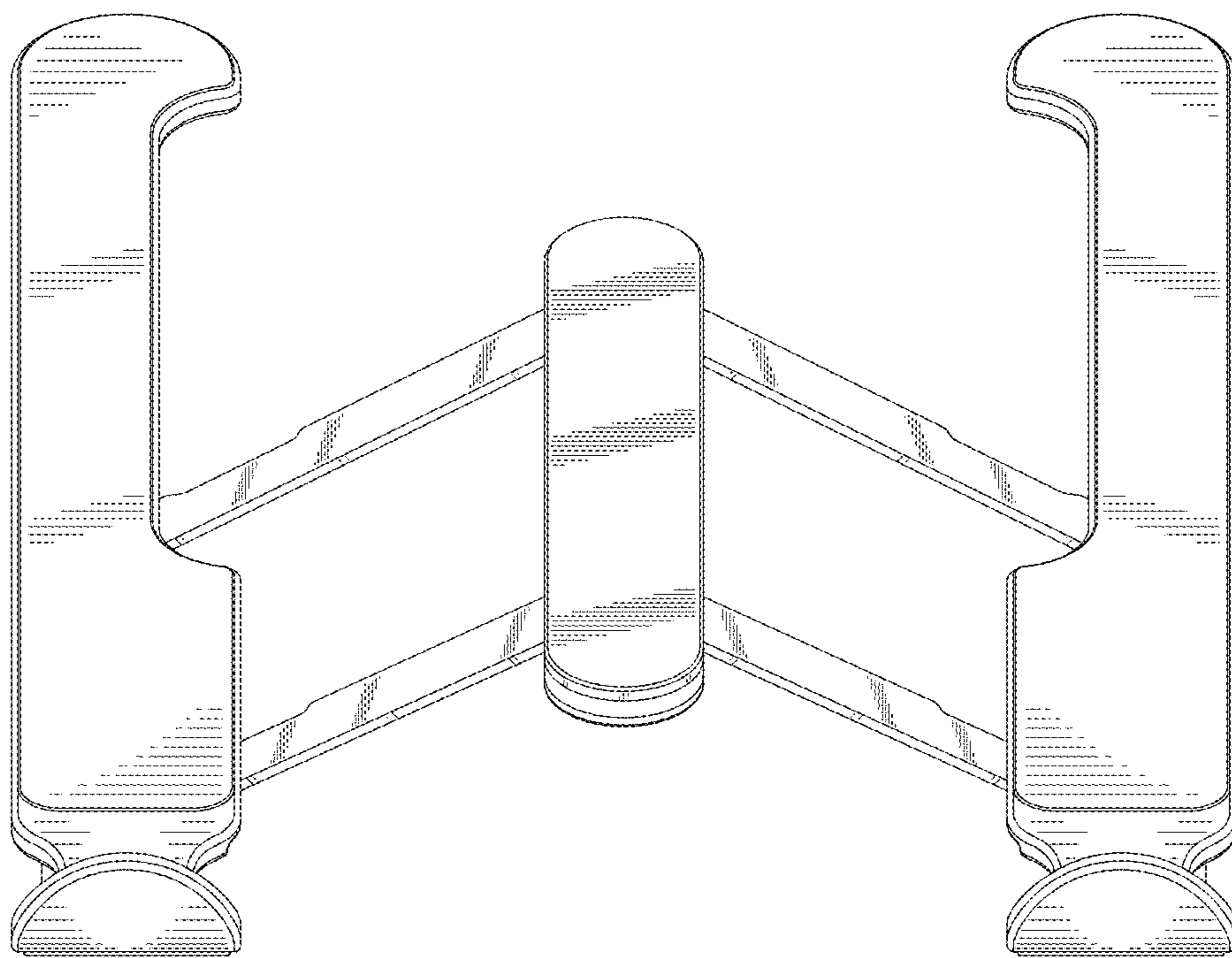


FIG. 3

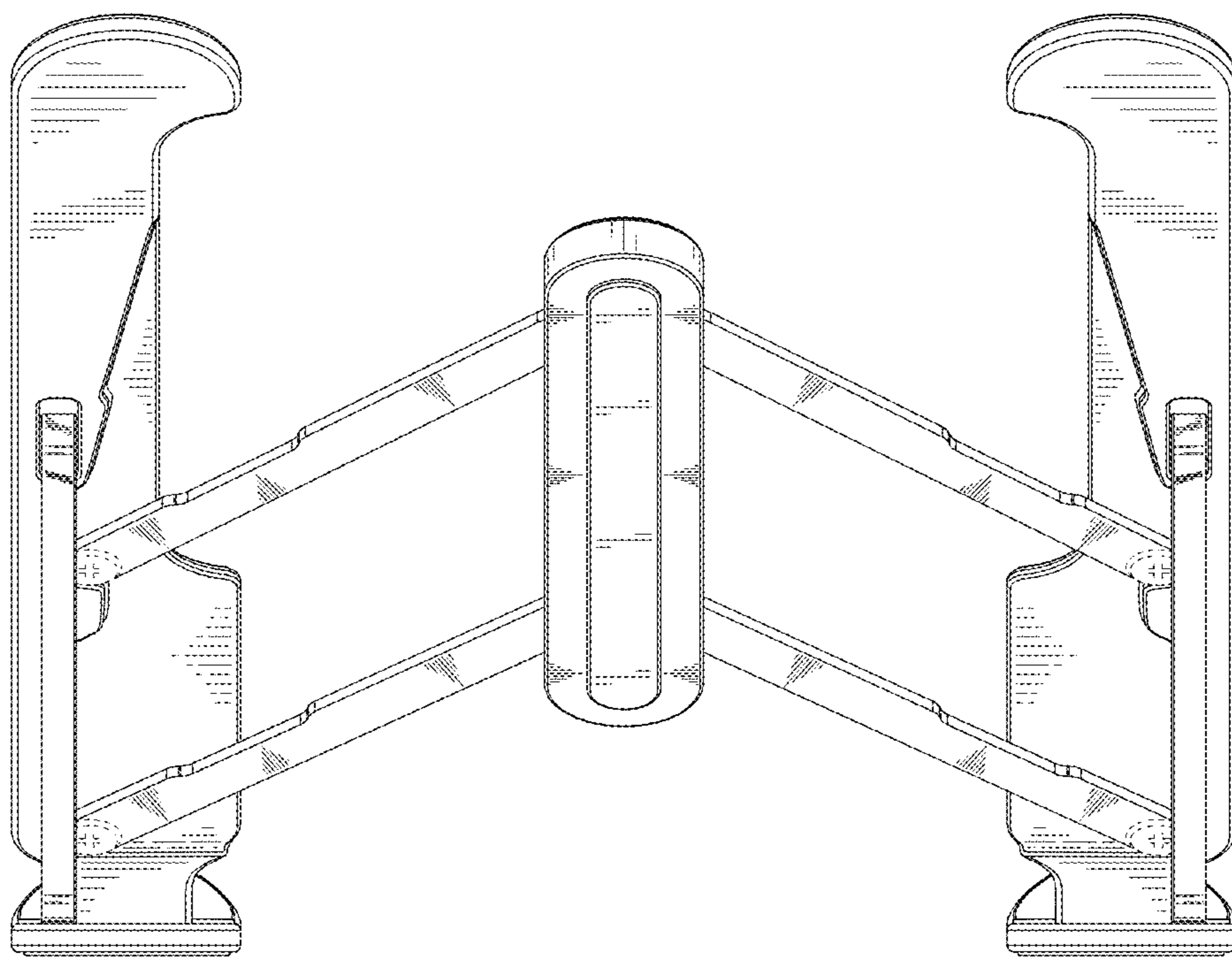


FIG. 4

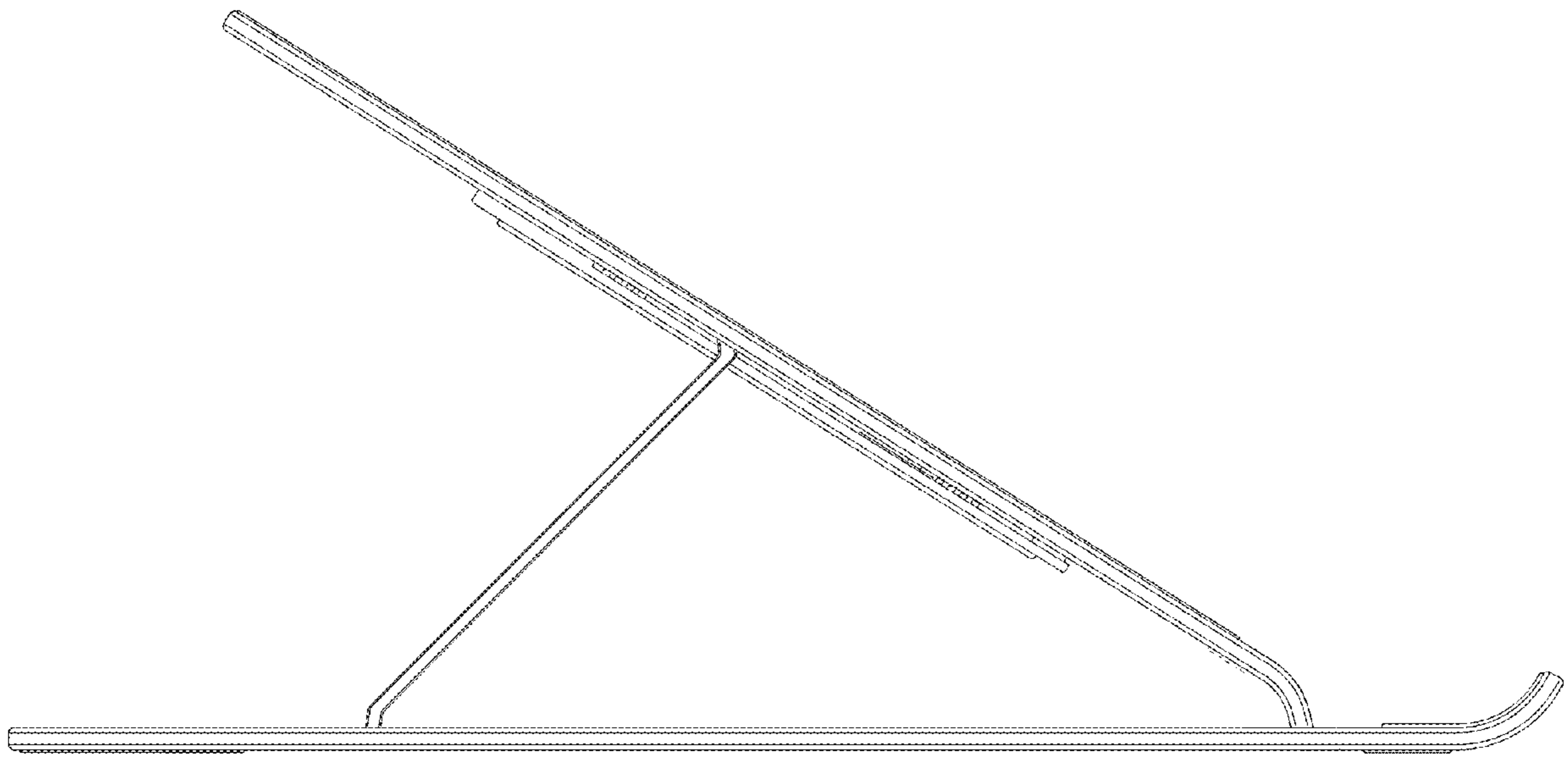


FIG. 5

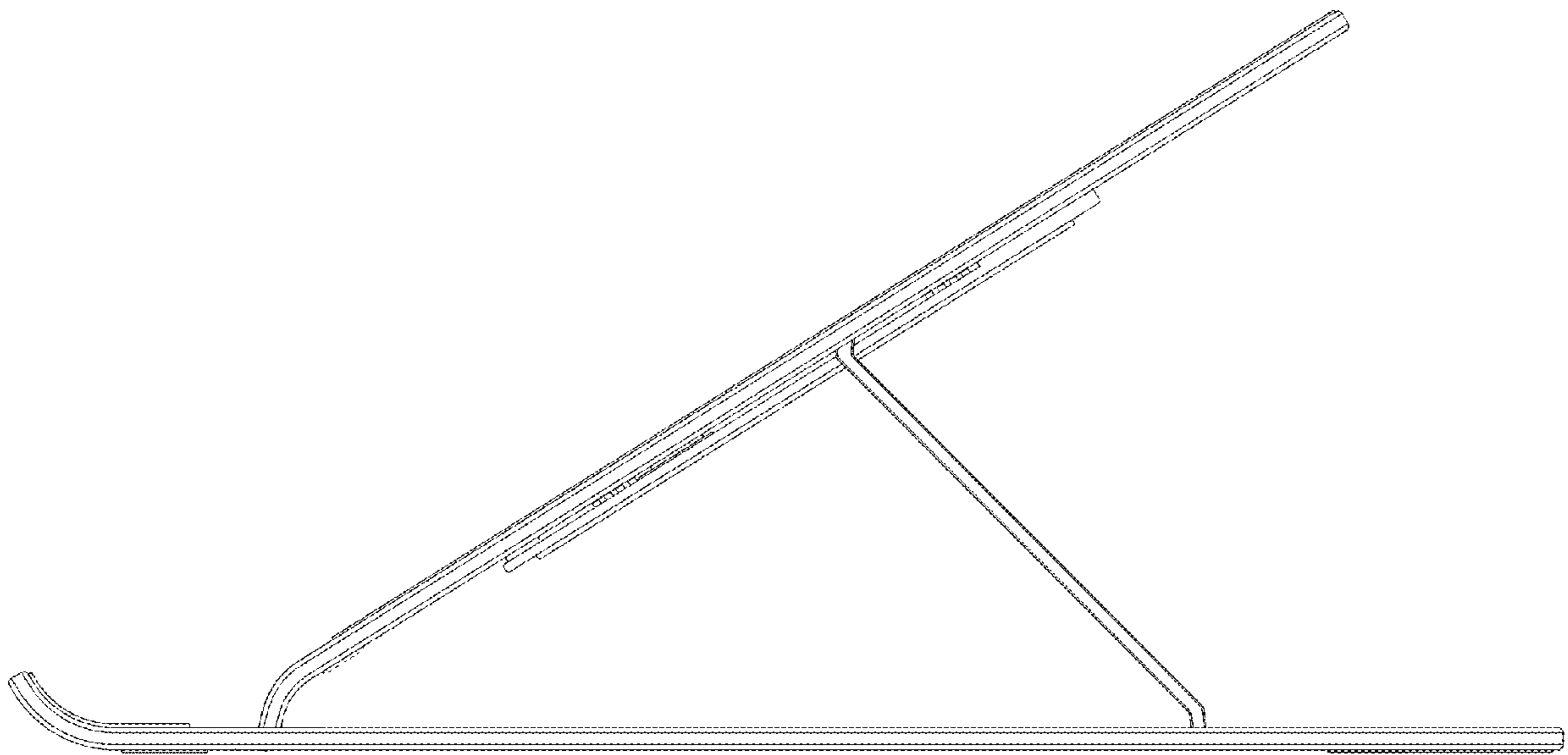


FIG. 6

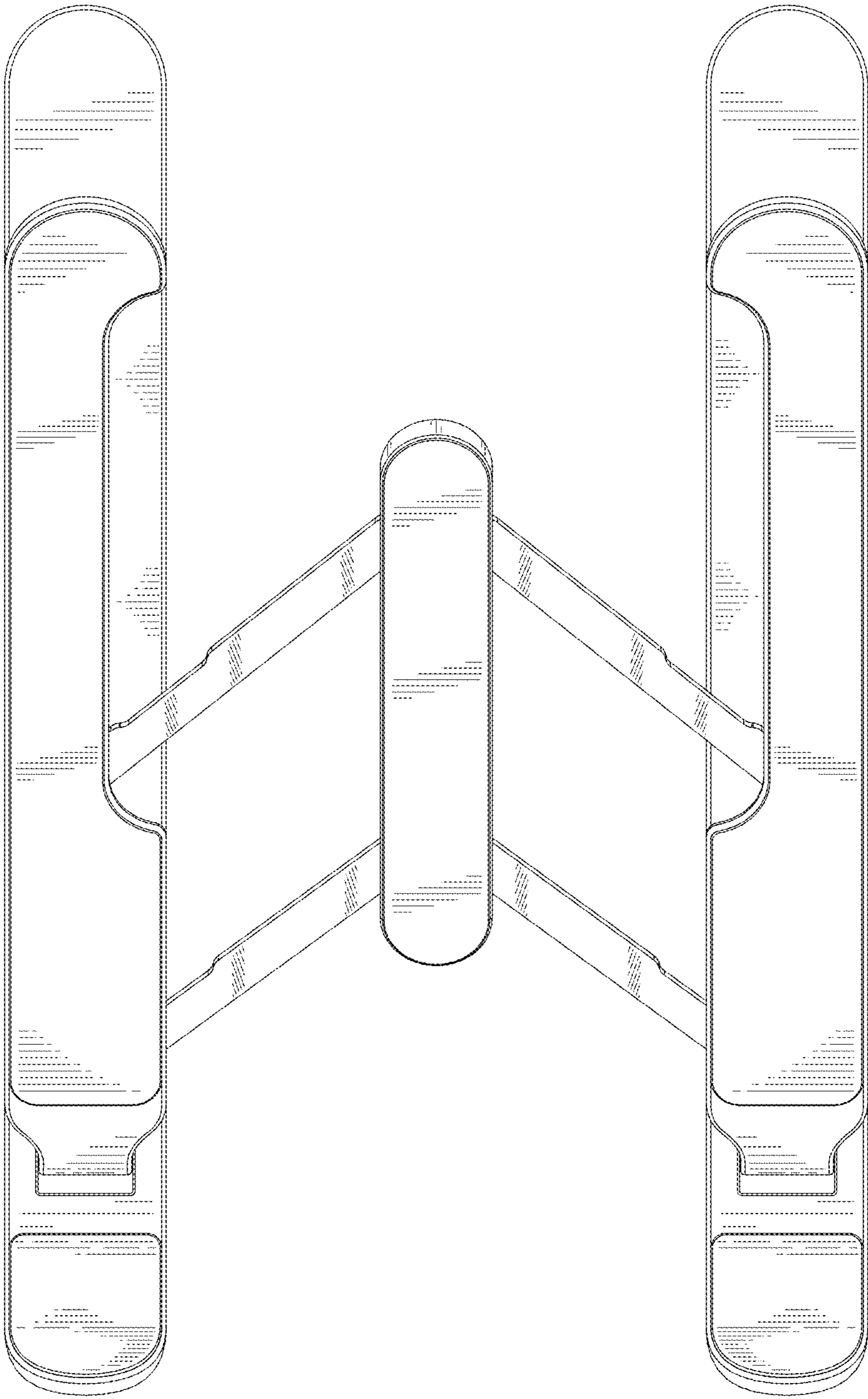


FIG. 7

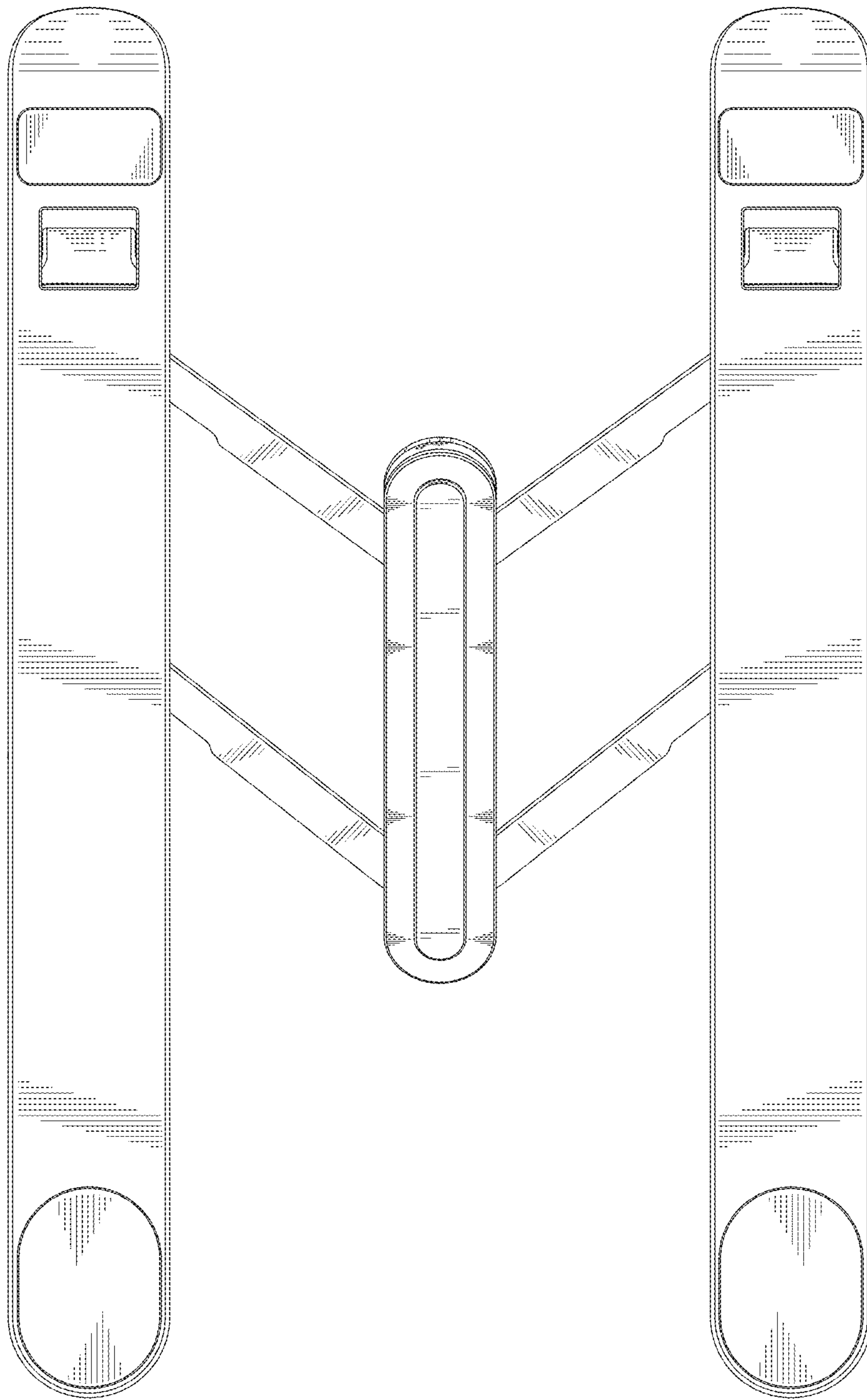


FIG. 8

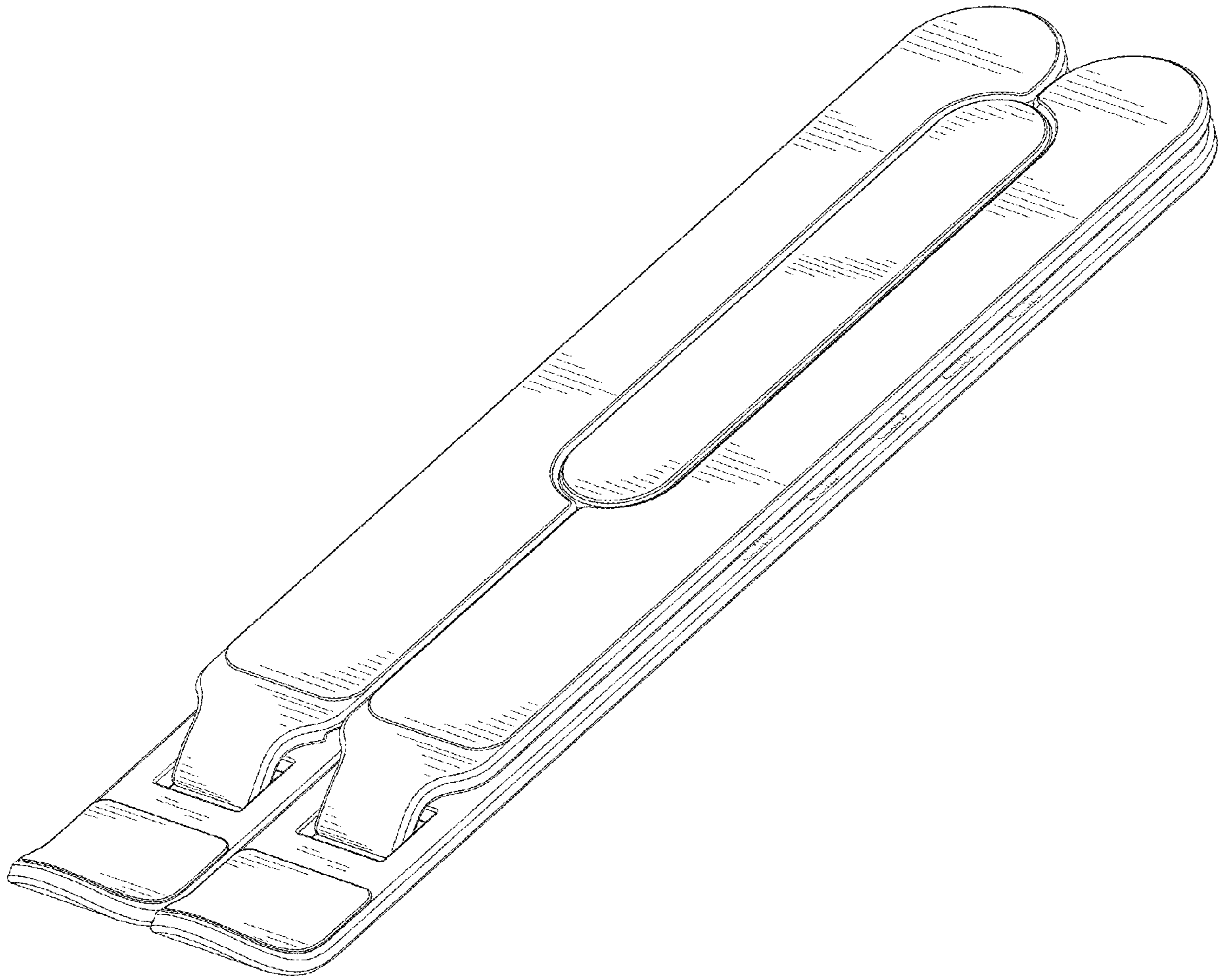


FIG. 9

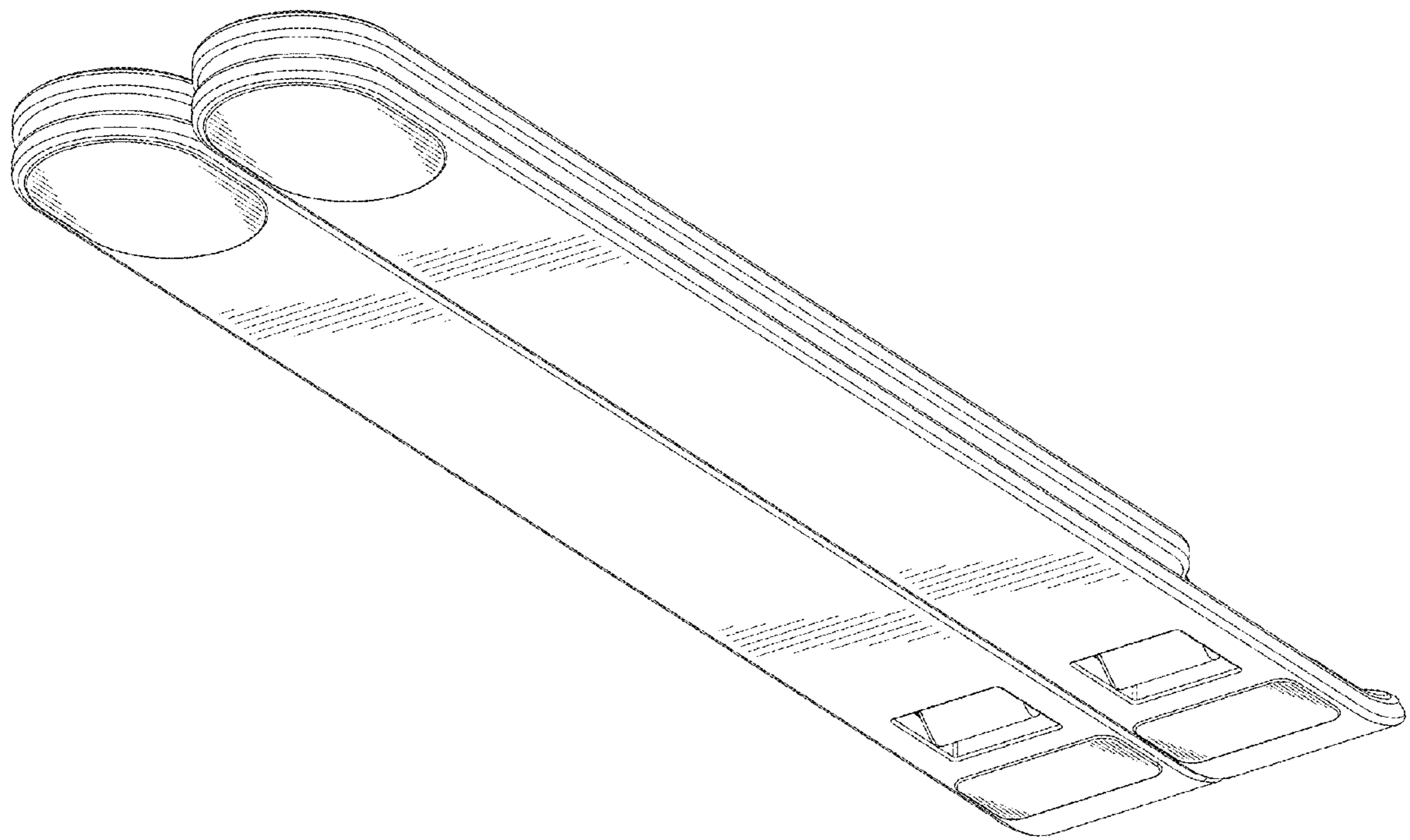


FIG. 10