



US00D968414S

(12) **United States Design Patent** (10) **Patent No.:** **US D968,414 S**  
**He** (45) **Date of Patent:** **\*\* Nov. 1, 2022**

(54) **PROTECTIVE CASE**

(71) Applicant: **High Acoustics technology(Shenzhen) LTD, Shenzhen (CN)**

(72) Inventor: **Yuehua He, Zhongshan (CN)**

(\*\*) Term: **15 Years**

(21) Appl. No.: **29/776,522**

(22) Filed: **Mar. 30, 2021**

(51) **LOC (13) Cl.** ..... **14-02**

(52) **U.S. Cl.**  
USPC ..... **D14/440**

(58) **Field of Classification Search**  
USPC ..... D14/440, 250, 447; 206/45.2, 45.23,  
206/320; 361/679.55; 294/25; 224/218  
CPC ... G06F 1/1628; G06F 1/1626; A47B 23/044;  
H04B 1/3888  
See application file for complete search history.

(56) **References Cited**

**U.S. PATENT DOCUMENTS**

|              |         |              |       |         |
|--------------|---------|--------------|-------|---------|
| D514,565 S * | 2/2006  | Haygood      | ..... | D14/371 |
| D538,765 S * | 3/2007  | Park         | ..... | D14/128 |
| D551,193 S * | 9/2007  | Ooshima      | ..... | D14/128 |
| D703,311 S * | 4/2014  | Daly         | ..... | D24/110 |
| D739,365 S * | 9/2015  | Garcia       | ..... | D14/126 |
| D784,270 S * | 4/2017  | Bhattacharya | ..... | D13/163 |
| D806,066 S * | 12/2017 | McWilliam    | ..... | D14/314 |
| D841,644 S * | 2/2019  | McWilliam    | ..... | D14/314 |
| D889,456 S * | 7/2020  | Yao          | ..... | D14/129 |
| D897,977 S * | 10/2020 | Saito        | ..... | D14/126 |

|                  |         |           |       |                       |
|------------------|---------|-----------|-------|-----------------------|
| D938,431 S *     | 12/2021 | Han       | ..... | D14/440               |
| D943,587 S *     | 2/2022  | Robertson | ..... | D14/440               |
| 2013/0341233 A1* | 12/2013 | Dow       | ..... | A45C 11/00<br>206/521 |

**OTHER PUBLICATIONS**

Brown, Eileen. "Nostalgia Tech 4: 20 Vintage Apple ads." Net. Jan. 11, 2013. Web. Jun. 9, 2022. <<https://www.zdnet.com/pictures/nostalgia-tech-4-20-vintage-apple-ads/>>.\*

\* cited by examiner

*Primary Examiner* — Katie Jane Stofko

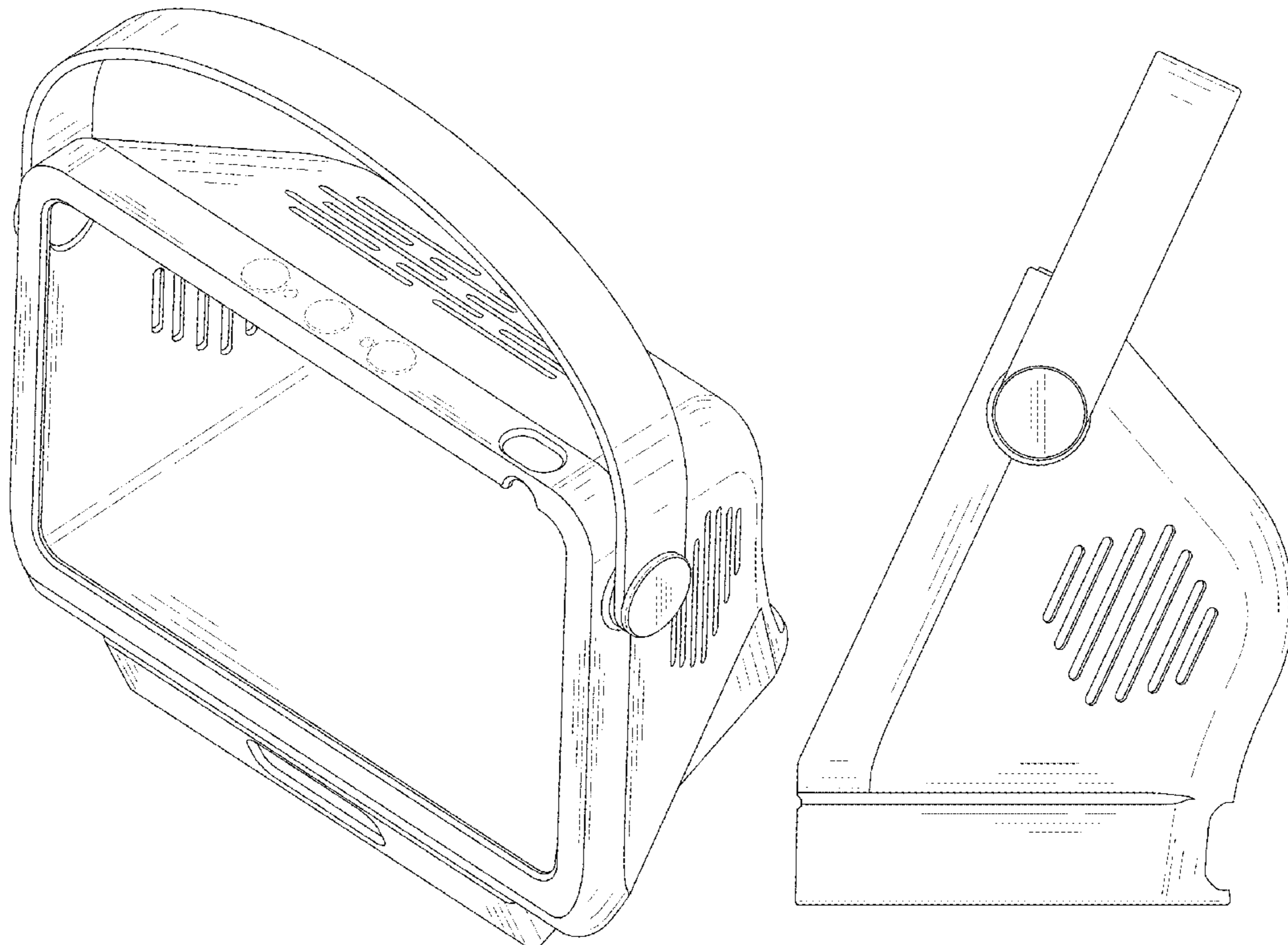
(57) **CLAIM**

The ornamental design for a protective case, as shown and described.

**DESCRIPTION**

FIG. 1 is a front, top and right side perspective view of a protective case showing my new design;  
FIG. 2 is a back, bottom and left side perspective view thereof;  
FIG. 3 is a front view thereof;  
FIG. 4 is a back view thereof;  
FIG. 5 is a left side view thereof;  
FIG. 6 is a right side view thereof;  
FIG. 7 is a top view thereof; and,  
FIG. 8 is a bottom view thereof.  
The broken lines shown in the drawings depict portions of the protective case in which the design is embodied that form no part of the claimed design.

**1 Claim, 8 Drawing Sheets**



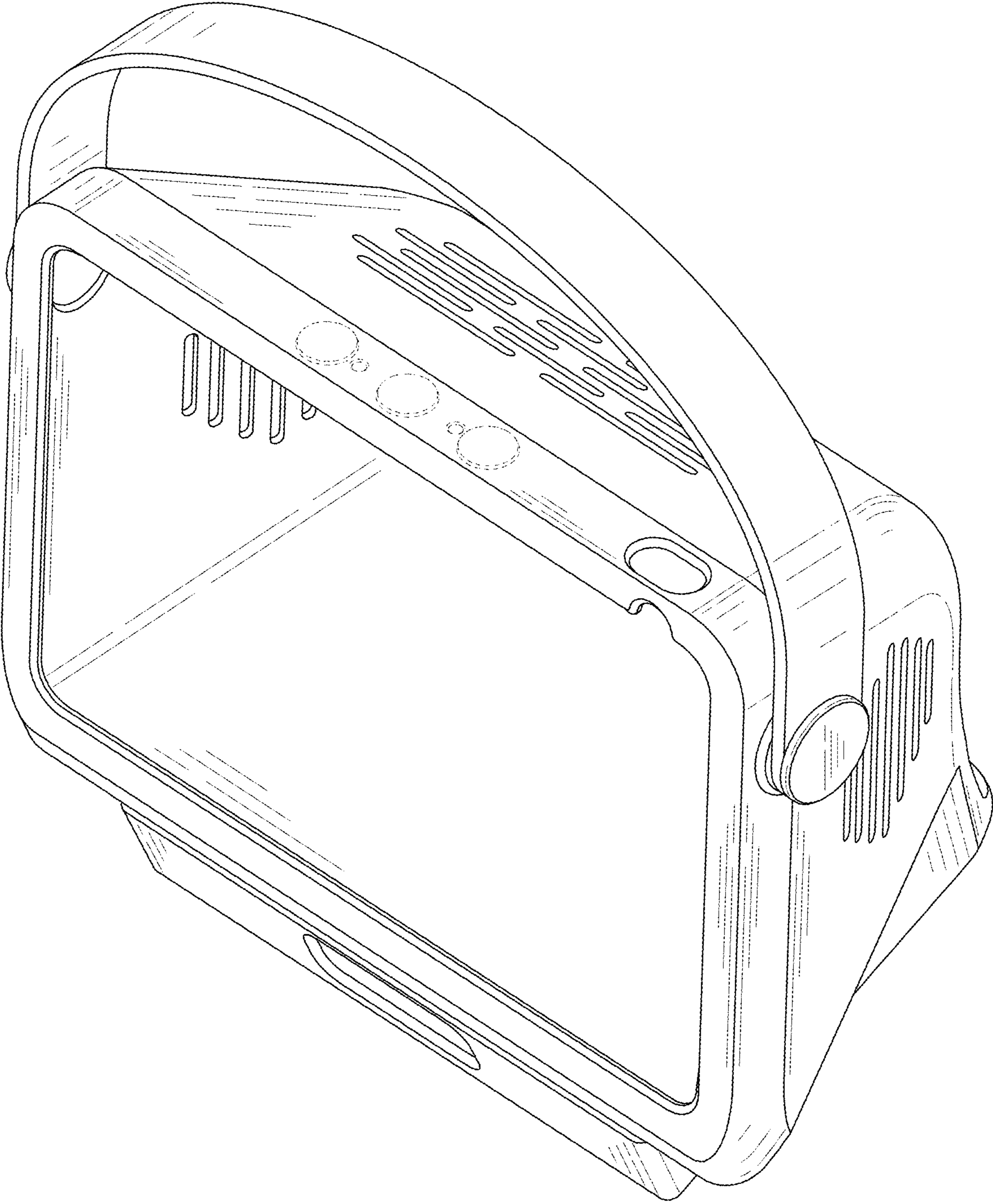


FIG. 1

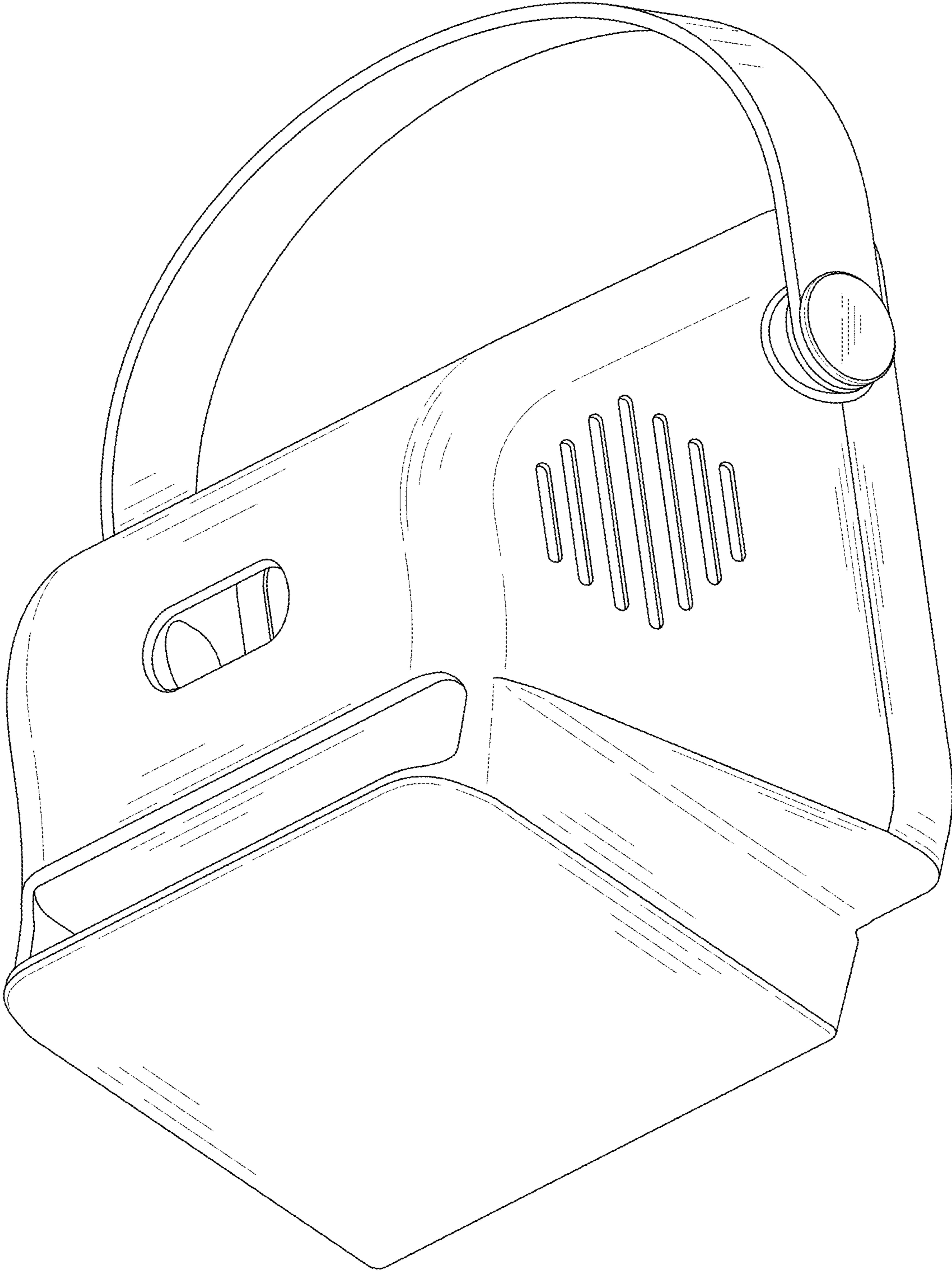


FIG. 2

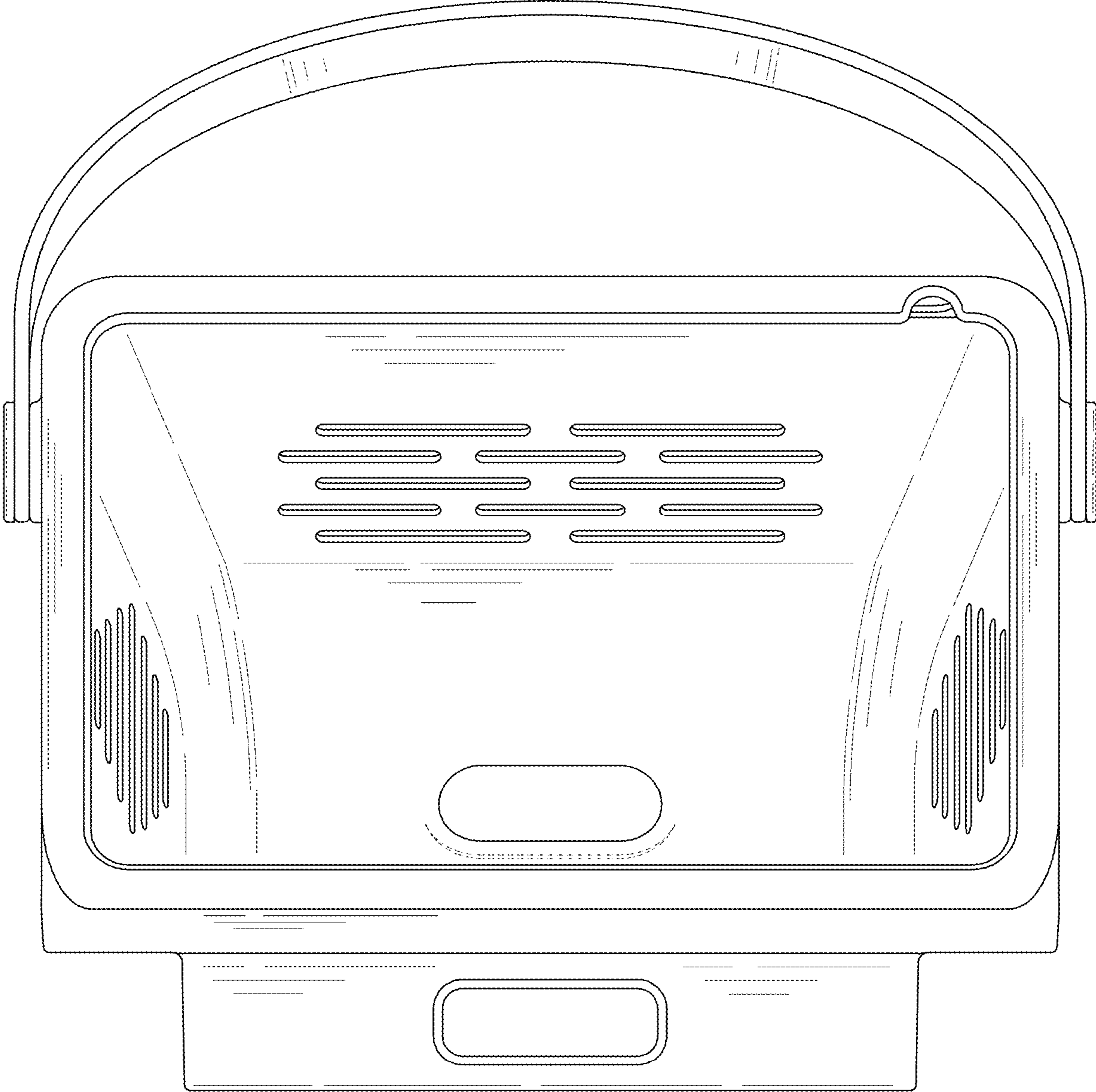


FIG. 3

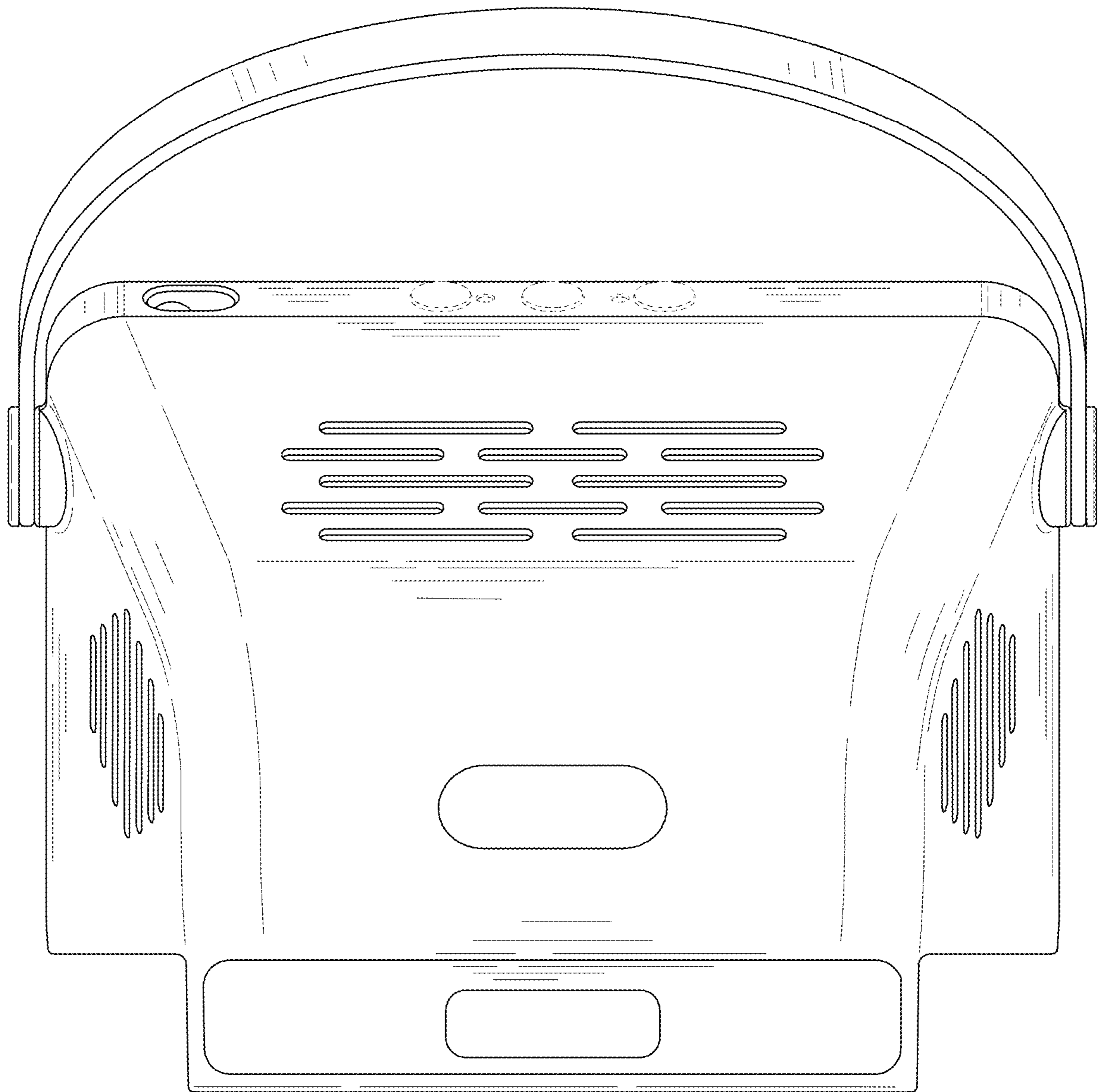


FIG. 4

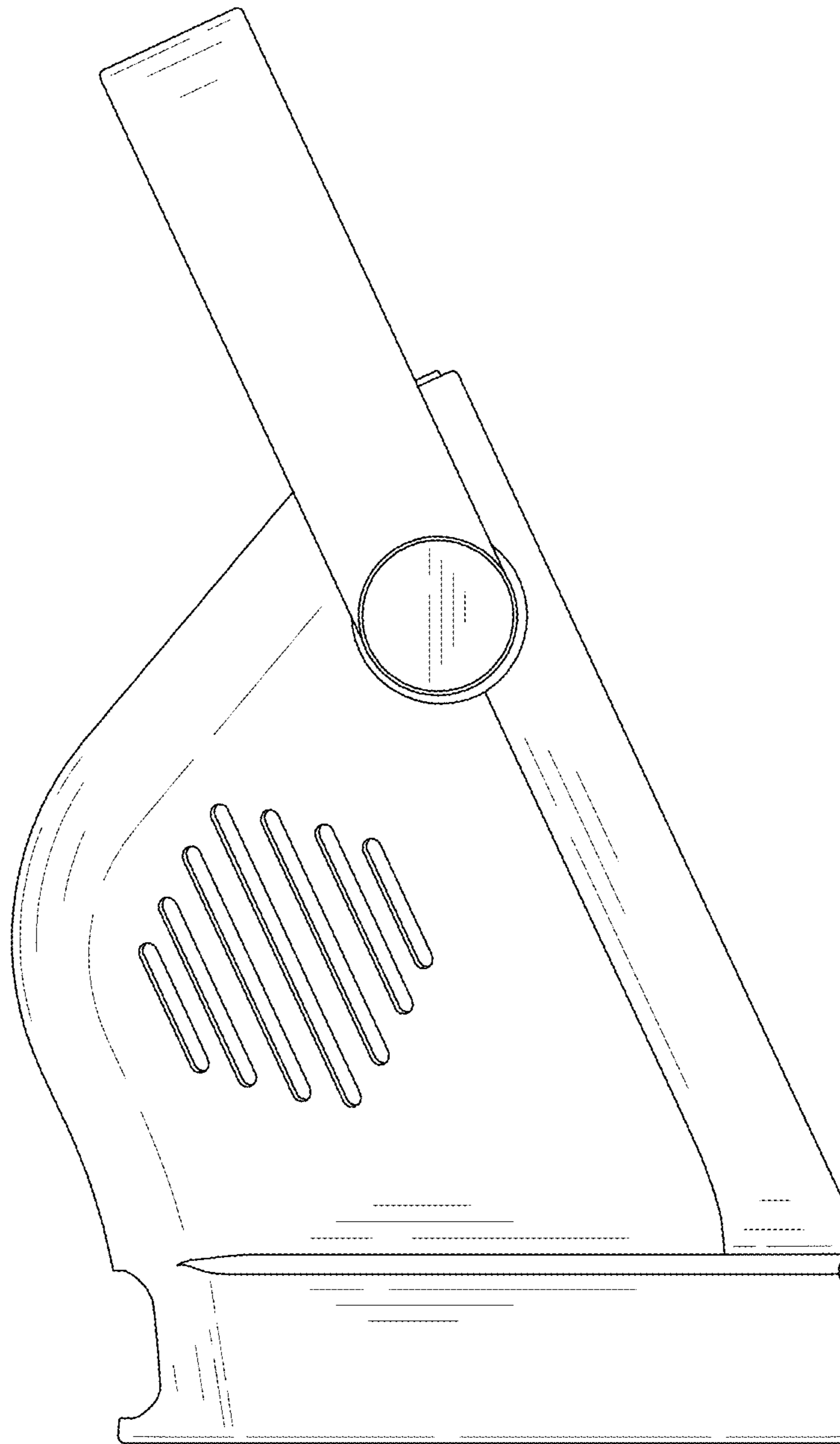


FIG. 5

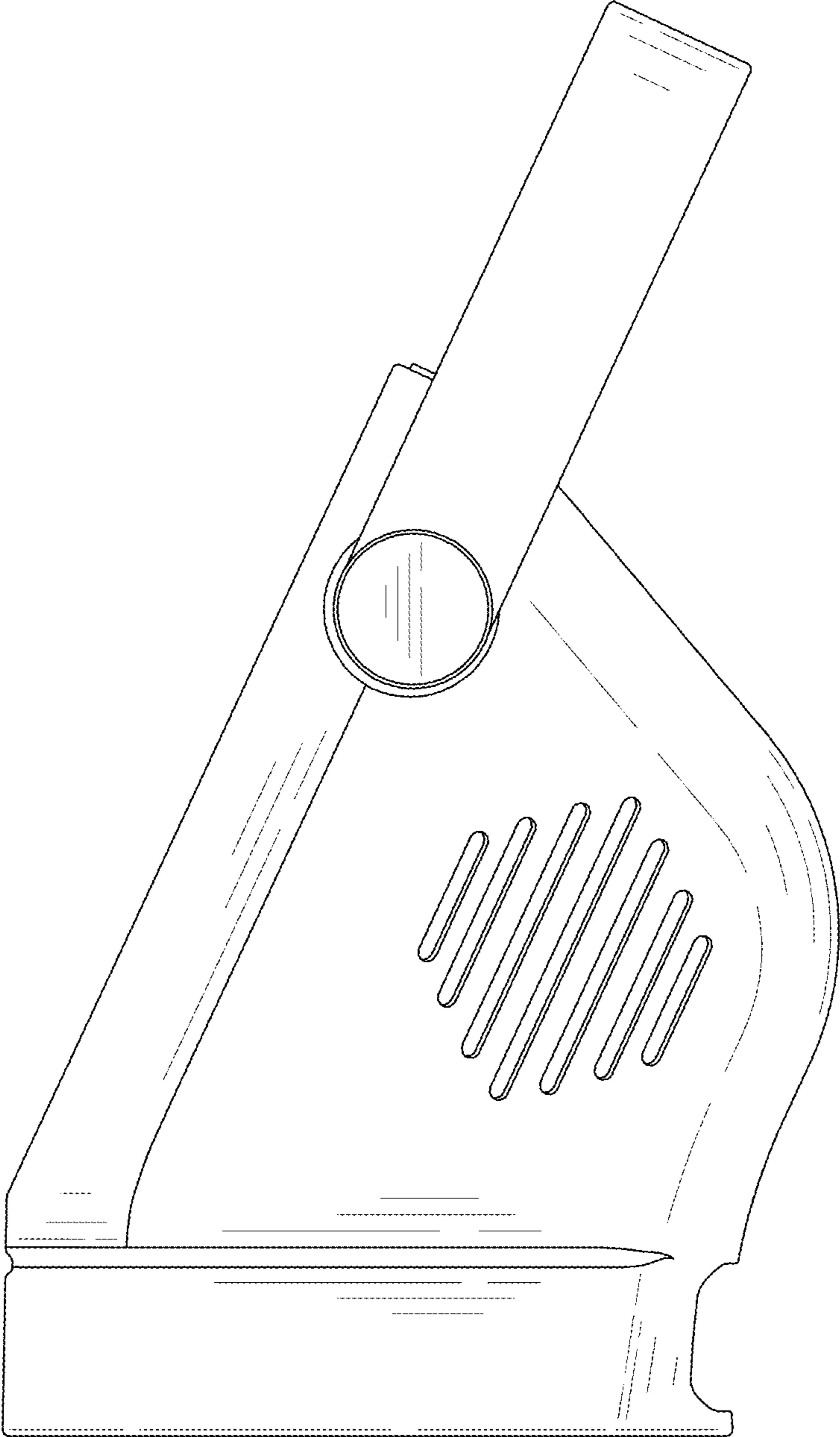


FIG. 6

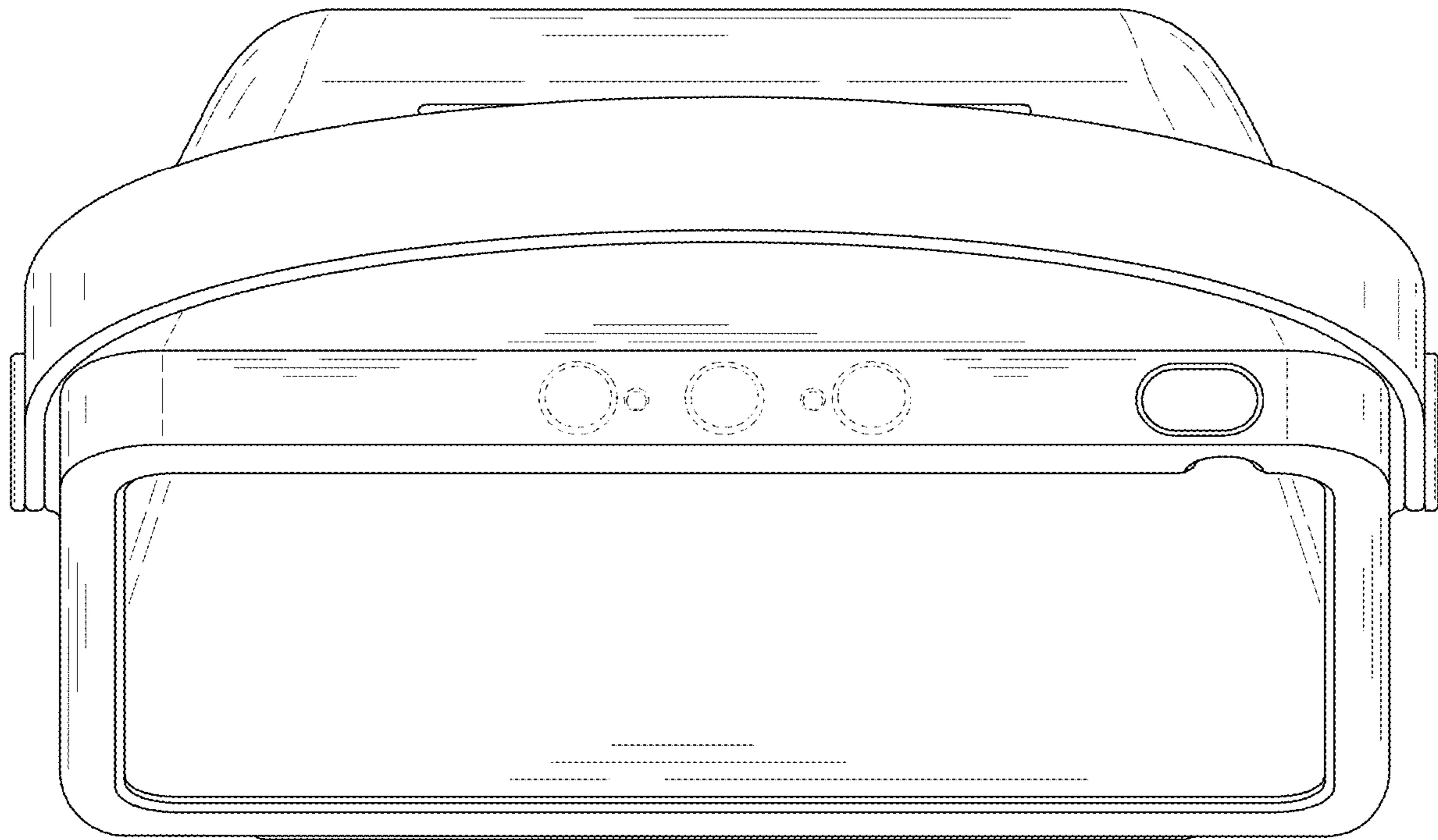


FIG. 7



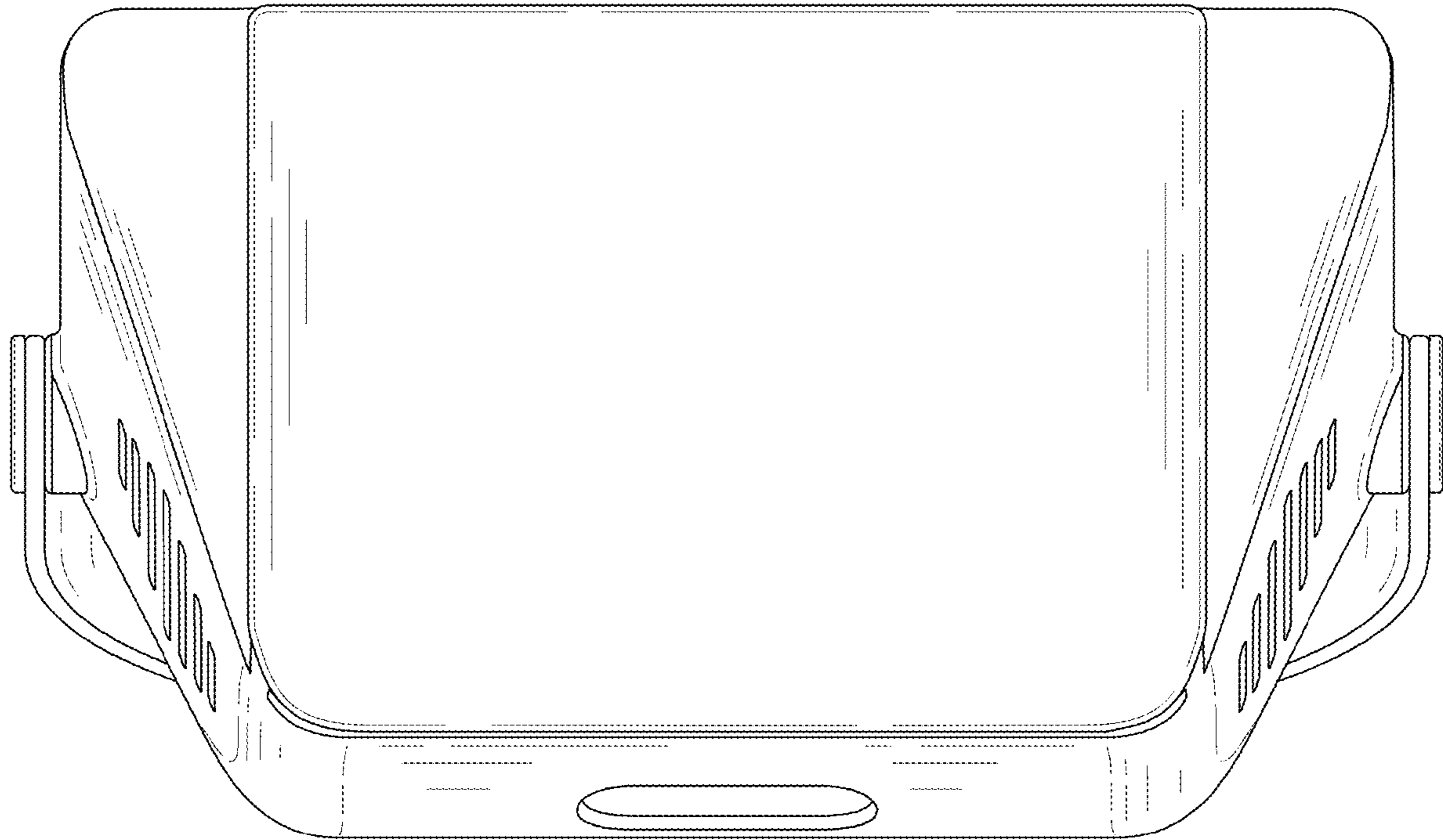


FIG. 8