



US00D968409S

(12) **United States Design Patent** (10) **Patent No.:** **US D968,409 S**
Shapiro (45) **Date of Patent:** **** Nov. 1, 2022**

(54) **MULTIPOINT ELECTRONIC DEVICE**

FOREIGN PATENT DOCUMENTS

(71) Applicant: **ADVANCED MAGNETIC SOLUTIONS LIMITED**, Wanchai (HK)

KR 300649339.0000 * 6/2012
KR 300781978.0000 * 2/2015
KR 300821222.0000 * 10/2015

(72) Inventor: **Zeev Shapiro**, Tel-Aviv (IL)

OTHER PUBLICATIONS

(73) Assignee: **ADVANCED MAGNETIC SOLUTIONS LIMITED**, Wanchai (HK)

“Feit Electric Indoor Wi-Fi Smart Plug”, first accessed Oct. 26, 2021. Menards.com [https://www.menards.com/main/electrical/electrical-cords-surge-protectors/outlet-adapters/feit-electric-indoor-wi-fi-smart-plug/smartplug-ind/p-1560494221678-c-6483.htm] (Year: 2021).*

(**) Term: **15 Years**

(Continued)

(21) Appl. No.: **29/737,454**

Primary Examiner — Rosemary K Tarcza

(22) Filed: **Jun. 9, 2020**

Assistant Examiner — Seth David Kumpf

(51) **LOC (13) Cl.** **14-02**

(74) *Attorney, Agent, or Firm* — Browdy and Neimark, PLLC

(52) **U.S. Cl.**
USPC **D14/433**

(57) **CLAIM**

(58) **Field of Classification Search**
USPC D13/137.1, 137.2, 137.3, 137.4, 138.1, D13/138.2, 139.1, 139.2, 139.7, 139.8, D13/184, 103, 107, 199, 108, 110, 119, D13/123, 133, 139.3, 139.5, 139.6, 152, D13/145, 153, 154, 156, 158, 160, 162, D13/177; D14/433, 434

I claim the ornamental design for a multiport electronic device, substantially as shown and described.

CPC H01R 13/00; H01R 13/04; H01R 13/10; H01R 13/665; H01R 13/6666; H01R 13/6676; H01R 13/7135; H01R 25/00; H01R 25/006; H01R 9/00; H01R 11/00; H02H 3/33; H02H 3/162; H01H 2207/00;

DESCRIPTION

(Continued)

FIG. 1 is a top view of a multiport electronic device in accordance with the present invention, with the independently moveable port covers all shown in the upper position. FIG. 2 is a front view thereof. FIG. 3 is a rear view thereof. FIG. 4 is a bottom view thereof. FIG. 5 is a left side view thereof. FIG. 6 is a right side view thereof. FIG. 7 is a front perspective view thereof. FIG. 8 is a top view thereof with the independently moveable port covers all shown in the lower position; and, FIG. 9 is a front perspective view thereof with the independently moveable port covers all shown in the lower position. The subject matter shown in broken lines is for illustrative purposes only and forms no part of the claimed design.

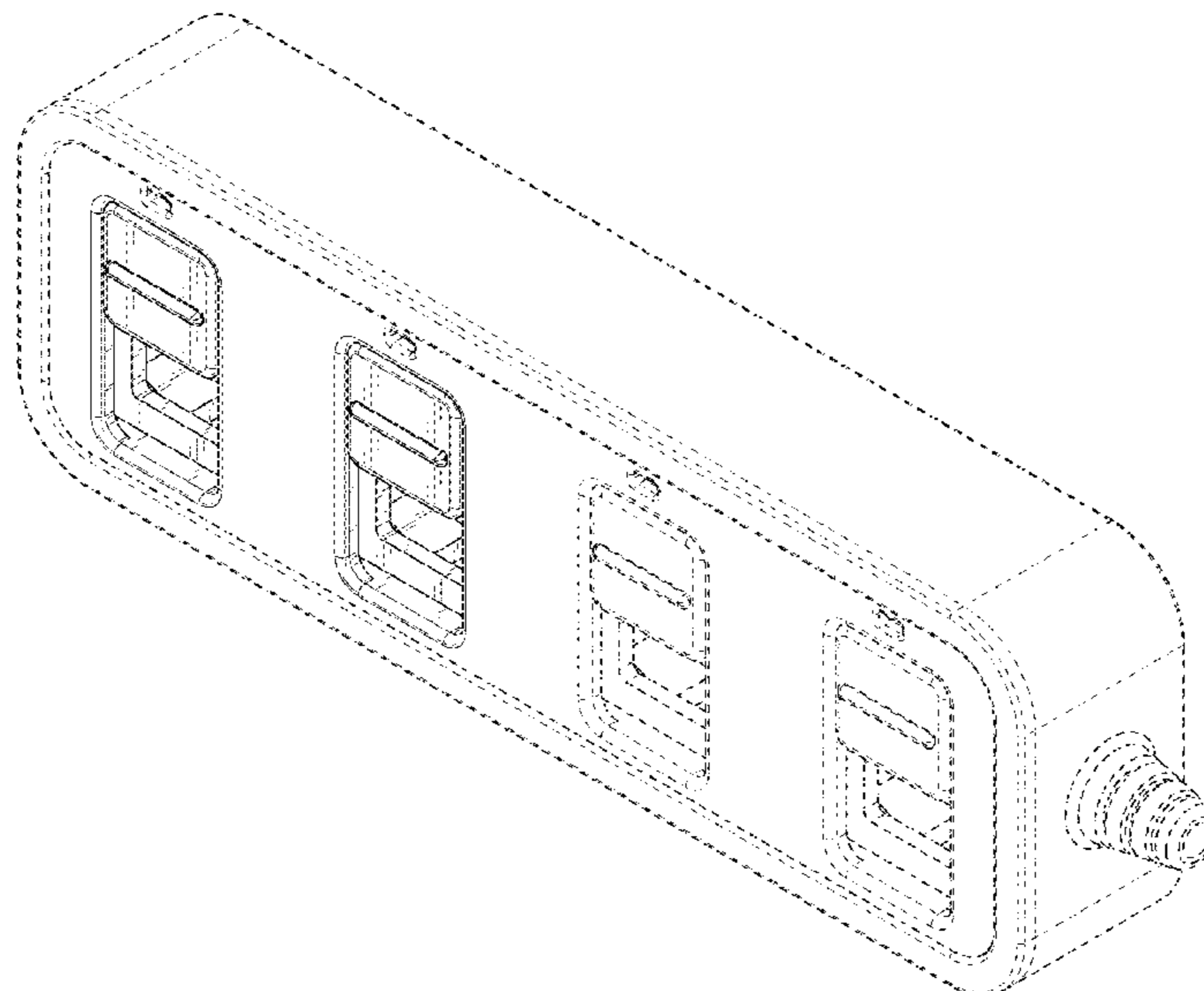
(56) **References Cited**

U.S. PATENT DOCUMENTS

D809,461 S * 2/2018 Maskaly D13/137.2
D845,900 S * 4/2019 Liu D13/137.2

(Continued)

1 Claim, 8 Drawing Sheets



(58) **Field of Classification Search**

CPC H01H 2207/022; H01H 2203/00; H05K
5/00; H05K 5/03

See application file for complete search history.

(56) **References Cited**

U.S. PATENT DOCUMENTS

D851,597 S	*	6/2019	Ding	D13/137.2
D861,613 S	*	10/2019	Dai	D13/137.2
D867,996 S	*	11/2019	Chen	D13/137.2
D869,398 S	*	12/2019	Wang	D13/137.3
D878,300 S	*	3/2020	Lyu	D13/139.8
D883,222 S	*	5/2020	Eshelman	D13/139.8
D902,864 S	*	11/2020	Turksu	D13/137.1
D903,600 S	*	12/2020	Tseng	D13/139.7

OTHER PUBLICATIONS

“GE 3-Outlet Extender Wall Tap, Grounded Adapter Plug, Indoor Rated, 3-Prong, Perfect for Travel, UL Listed, White, 52203”, first available Aug. 29, 2002. Amazon.com [<https://www.amazon.com/GE-Adapter-Grounded-Outlets-52203/dp/B00006IBFC>] (Year: 2002).*

“GE 6-Outlet Surge Protector, 10 Ft Extension Cord, Power Strip, 800 Joules, Flat Plug, Twist-to-Close Safety Covers, UL Listed, White, 14092”, first available Nov. 1, 2011. Amazon.com [<https://www.amazon.com/GE-Outlet-Protector-Extension-14092/dp/B00DOMYL24>] (Year: 2011).*

“Uber 6-Outlet Power Strip, 4 Ft Extension Cord, Twist-to-Close Safety Covers, Integrated Circuit Breaker, Reset Switch, Black/Blue, 25115”, first available Jan. 16, 2015. Amazon.com [<https://www.amazon.com/Uber-6-Outlet-Extension-Twist-25115/dp/B00SD9J3I0>] (Year: 2015).*

* cited by examiner

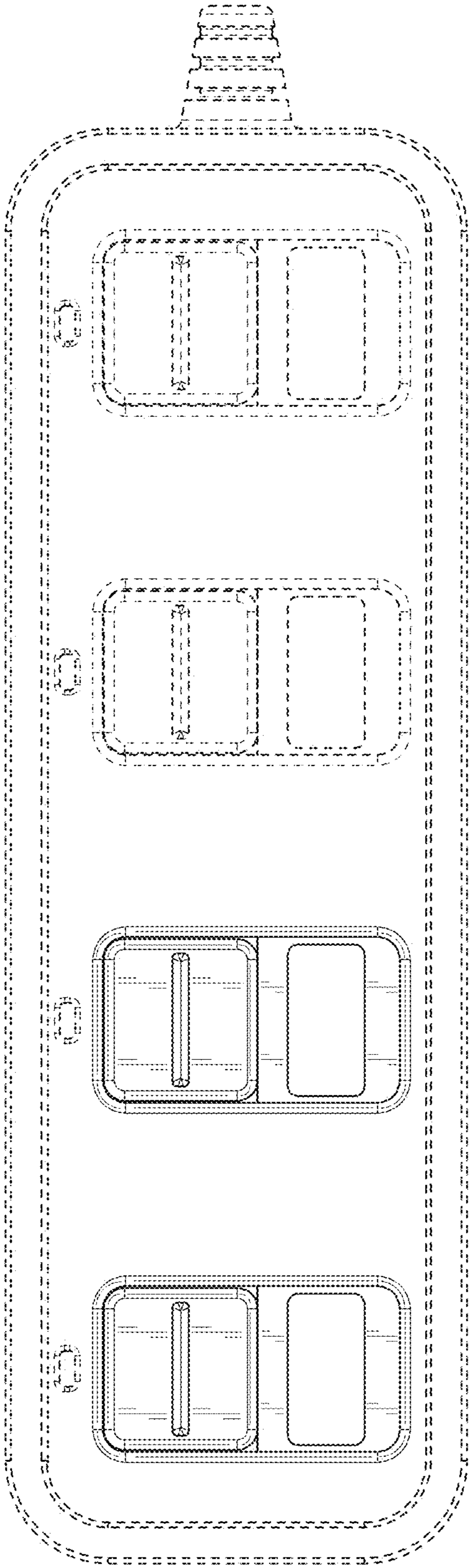


FIG. 1

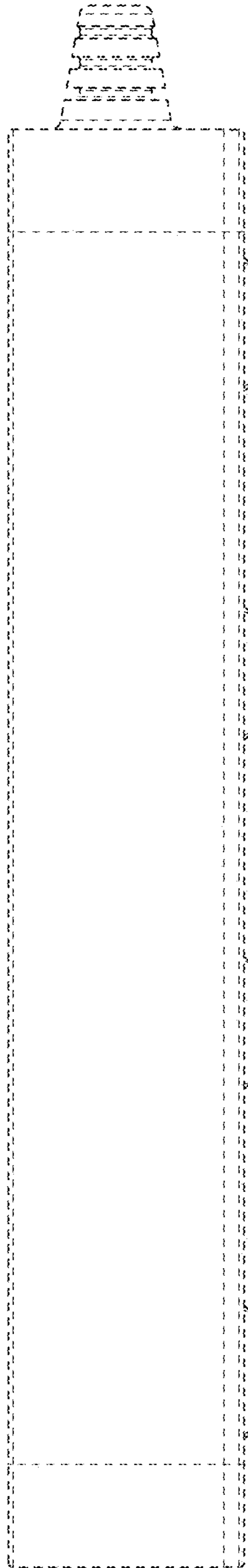


FIG. 2

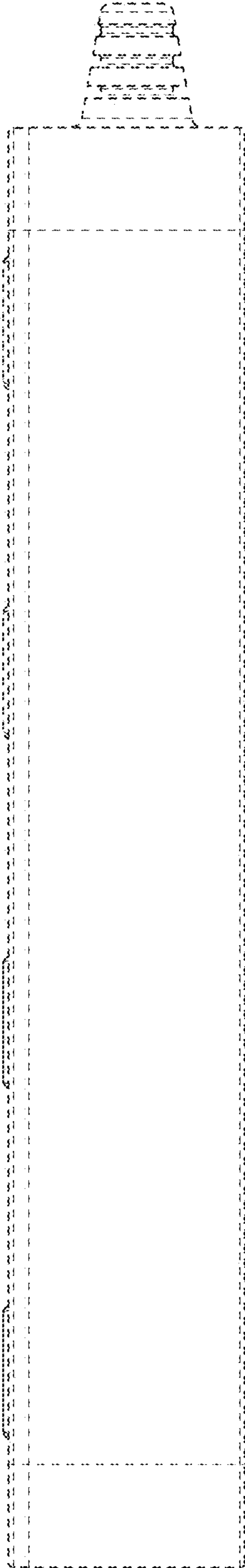


FIG. 3

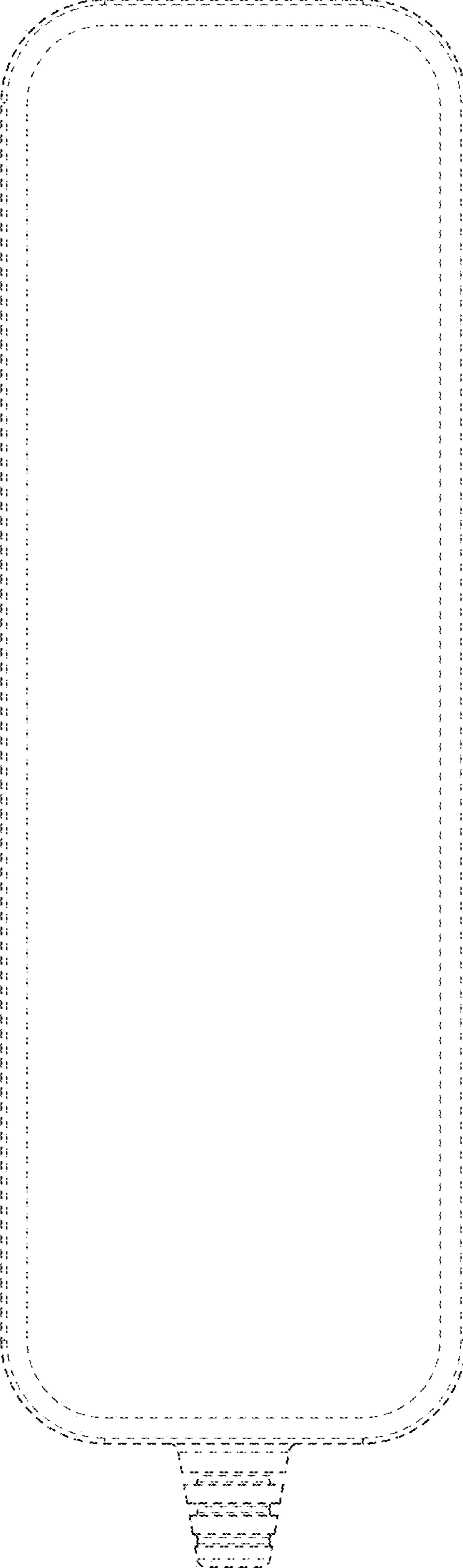


FIG. 4

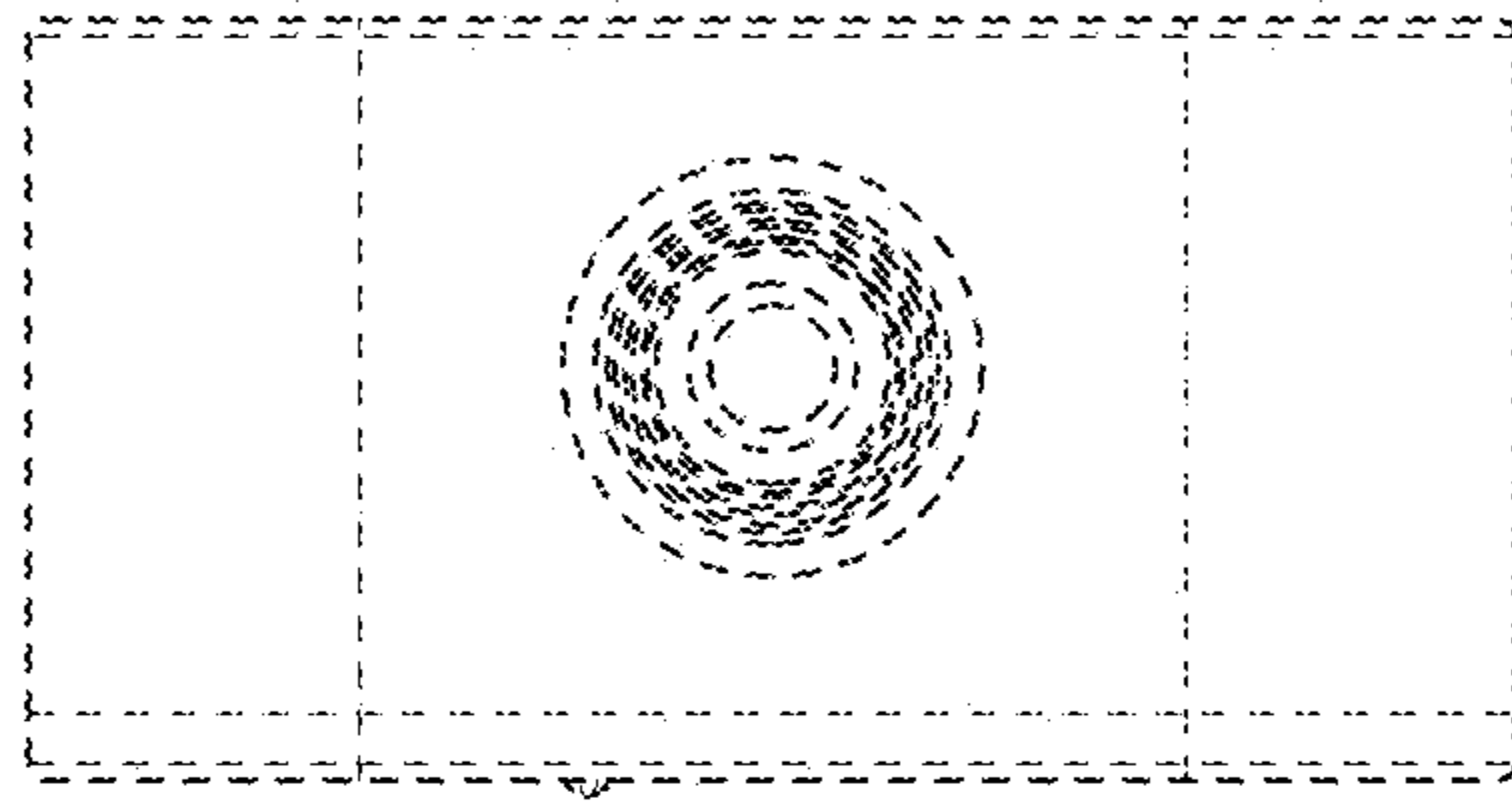


FIG. 6

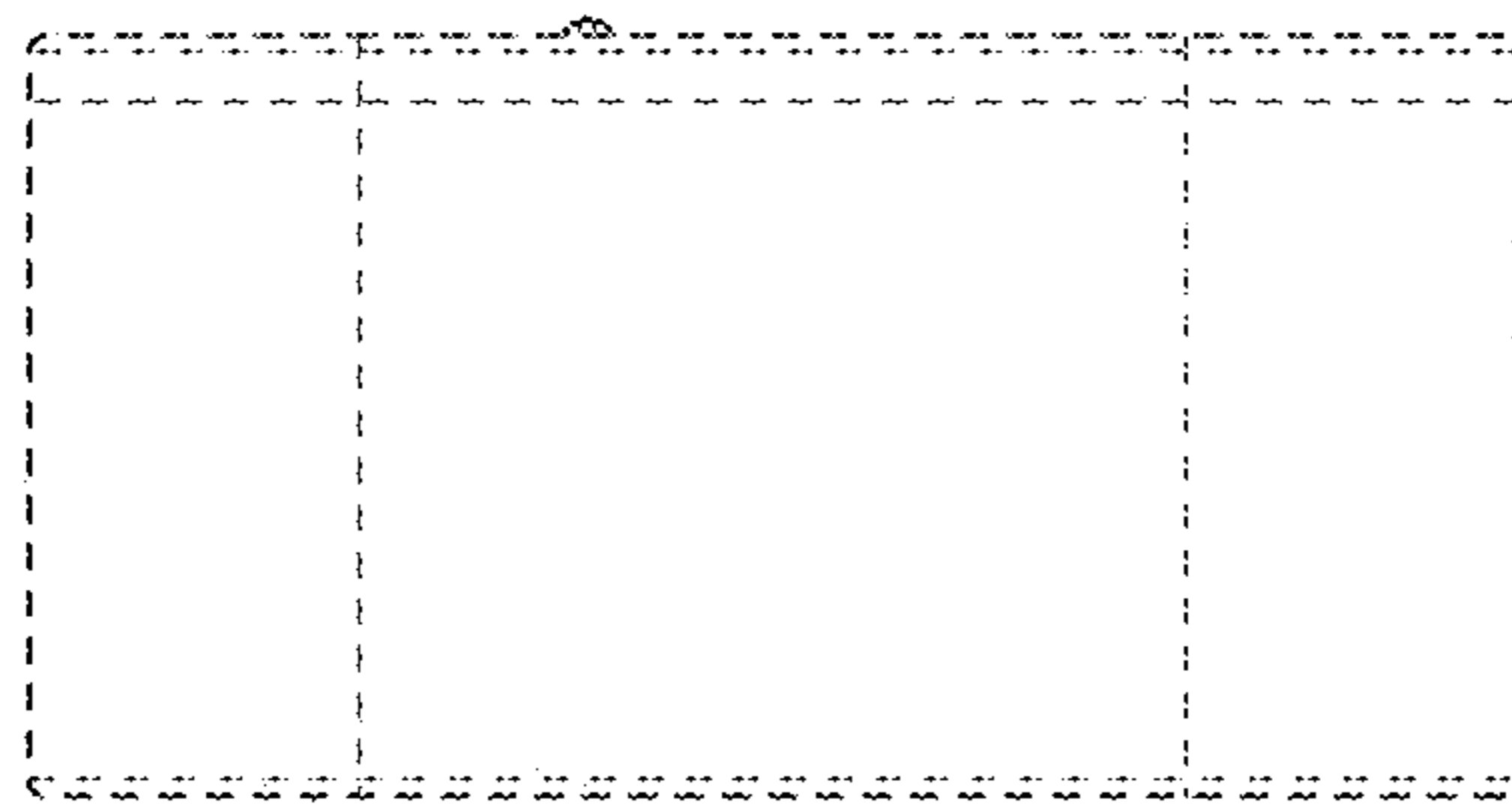


FIG. 5

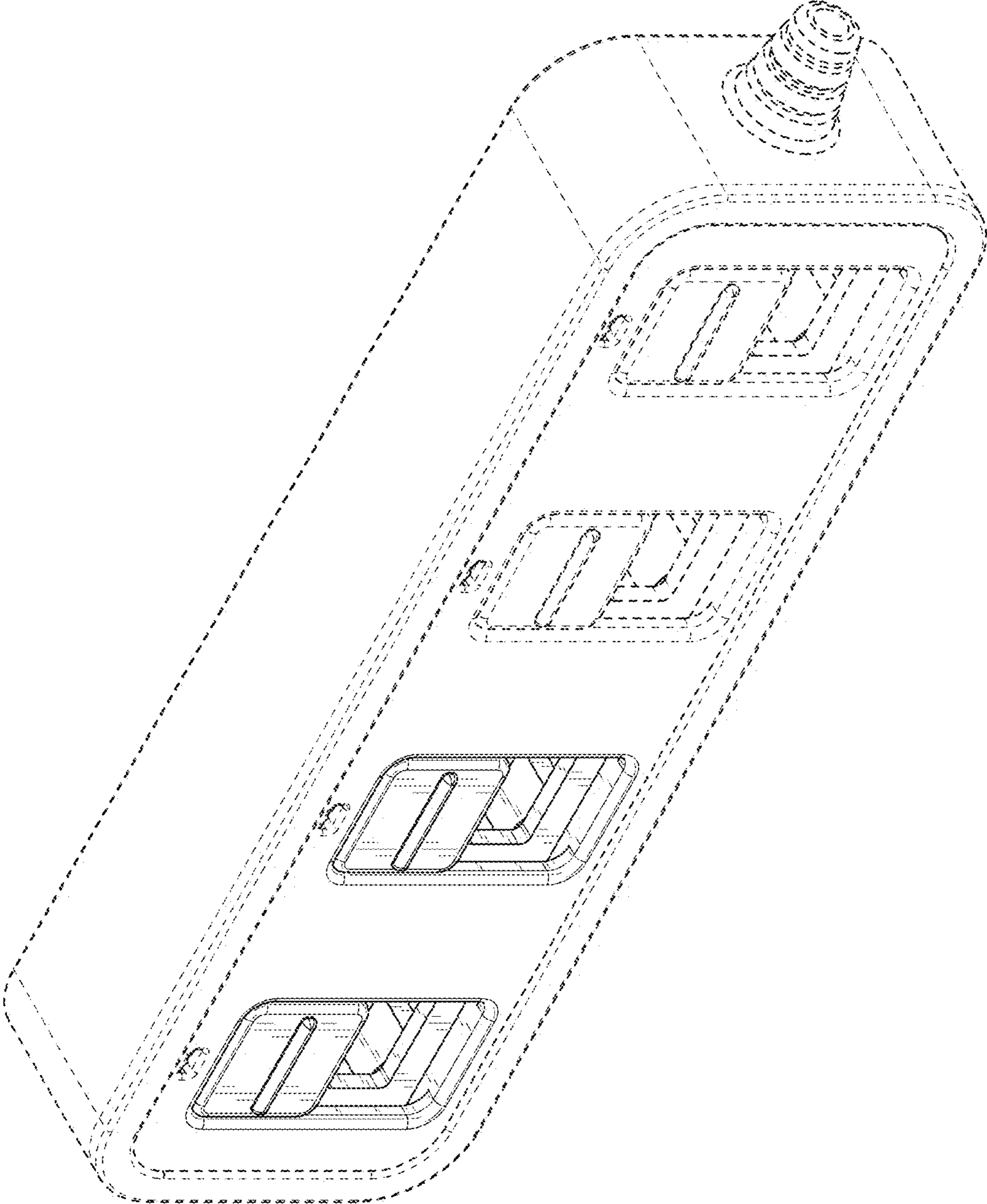


FIG. 7

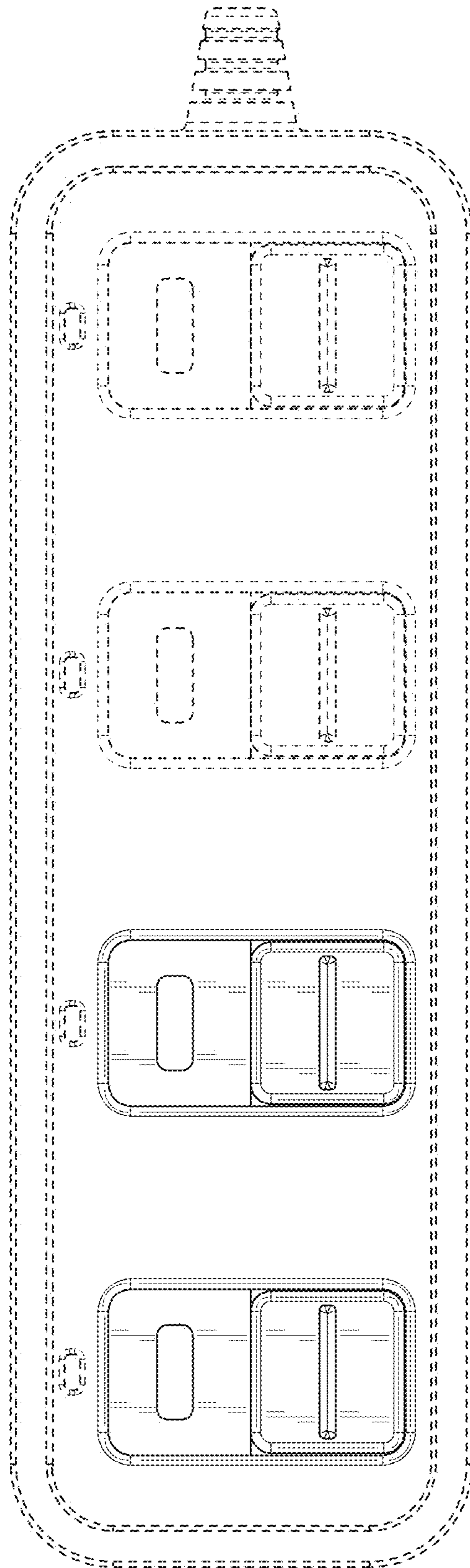


FIG. 8

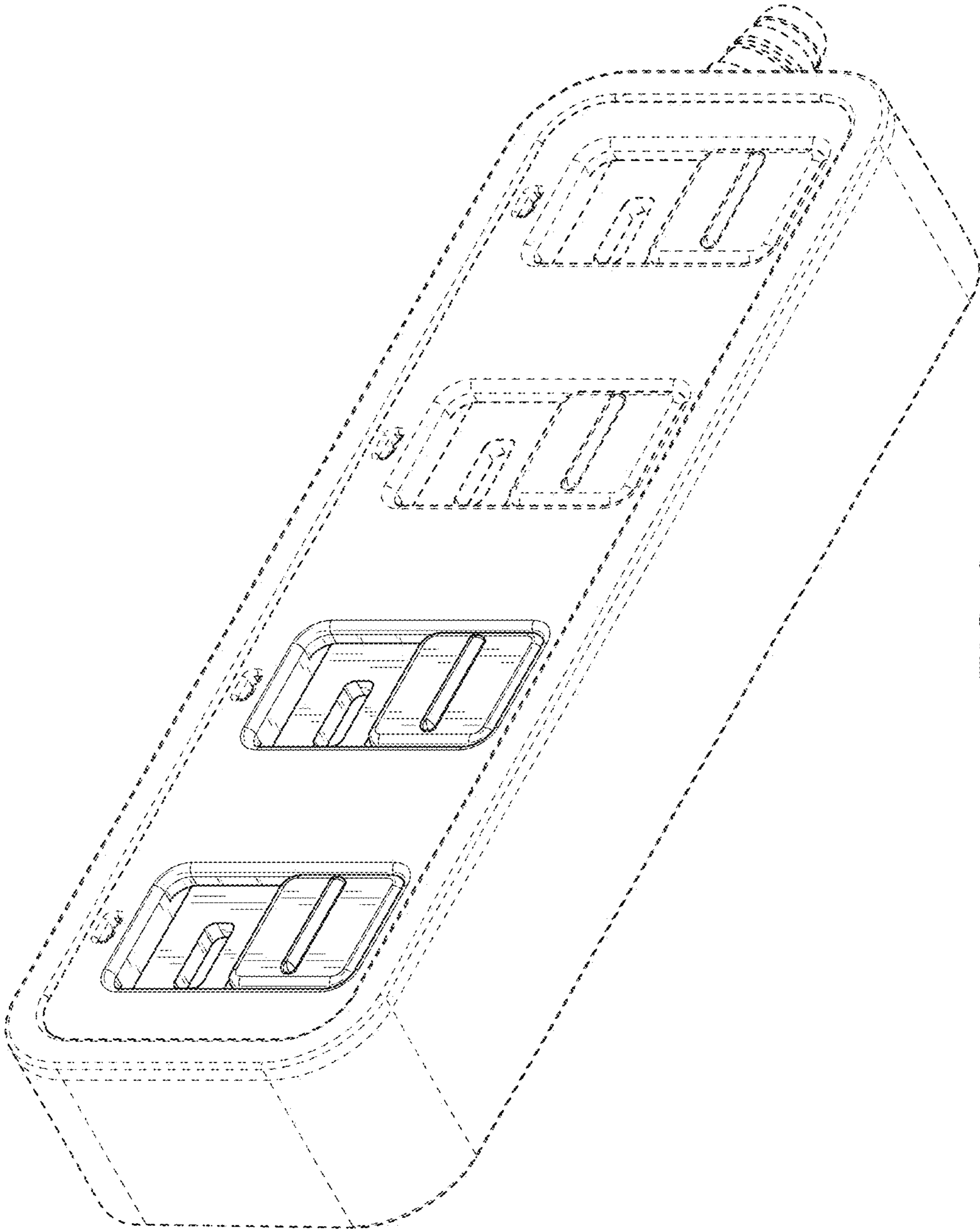


FIG. 9