



US00D968408S

(12) **United States Design Patent** (10) **Patent No.:** **US D968,408 S**
Kamiyama et al. (45) **Date of Patent:** **** Nov. 1, 2022**

(54) **CARTRIDGE FOR AN ELECTRONIC PEN**

(71) Applicant: **Wacom Co., Ltd.**, Kazo (JP)

(72) Inventors: **Ryoji Kamiyama**, Tokyo (JP);
Masamitsu Ito, Toyko (JP); **Toshihiko Horie**, Toyko (JP)

(73) Assignee: **Wacom Co., Ltd.**, Kazo (JP)

(**) Term: **15 Years**

(21) Appl. No.: **29/838,782**

(22) Filed: **May 16, 2022**

Related U.S. Application Data

(62) Division of application No. 29/755,522, filed on Oct. 21, 2020.

(30) **Foreign Application Priority Data**

Apr. 21, 2020 (JP) 2020-008220 D

(51) **LOC (13) Cl.** **14-02**

(52) **U.S. Cl.**
USPC **D14/411**

(58) **Field of Classification Search**
USPC D14/372, 496, 432, 371, 125, 126, 129,
D14/299, 411; D16/300-342; 351/158,
351/153, 144; 345/7-9, 905; 455/344;
348/115, 53, 121, 739
CPC G02B 27/017; G06F 3/016; G06F 3/033;
G06F 3/0317; G06F 3/03545; G06F
3/041; G06K 9/222
See application file for complete search history.

(56) **References Cited**

U.S. PATENT DOCUMENTS

D444,171 S 6/2001 McCullough
D450,767 S 11/2001 Itoh et al.

D506,199 S * 6/2005 Huang D14/408
D542,686 S * 5/2007 Yu D10/120
D591,749 S * 5/2009 Huang D14/402
D645,864 S * 9/2011 Lim D14/402
D651,604 S * 1/2012 Fischer D14/408
D667,408 S * 9/2012 Lim D14/408
D789,367 S * 6/2017 Jentz D14/218
10,503,281 B2 * 12/2019 Fujitsuka G06F 3/0383
D897,341 S * 9/2020 Kamiyama D14/411
10,768,720 B2 * 9/2020 Yamashita G06F 3/0414
D933,659 S 10/2021 Hashimoto et al.

(Continued)

FOREIGN PATENT DOCUMENTS

EM 005809480-0001 S 1/2019
EM 007770276-0002 S 4/2020

(Continued)

Primary Examiner — Austin Murphy

(74) *Attorney, Agent, or Firm* — Christensen O'Connor Johnson Kindness PLLC

(57) **CLAIM**

The ornamental design for a cartridge for an electronic pen, as shown and described.

DESCRIPTION

FIG. 1 is a front-bottom-right perspective view of a cartridge for an electronic pen according to an embodiment of our new design;

FIG. 2 is a rear-top-left perspective view thereof;

FIG. 3 is a front elevational view thereof;

FIG. 4 is a rear elevational view thereof;

FIG. 5 is a right side elevational view thereof;

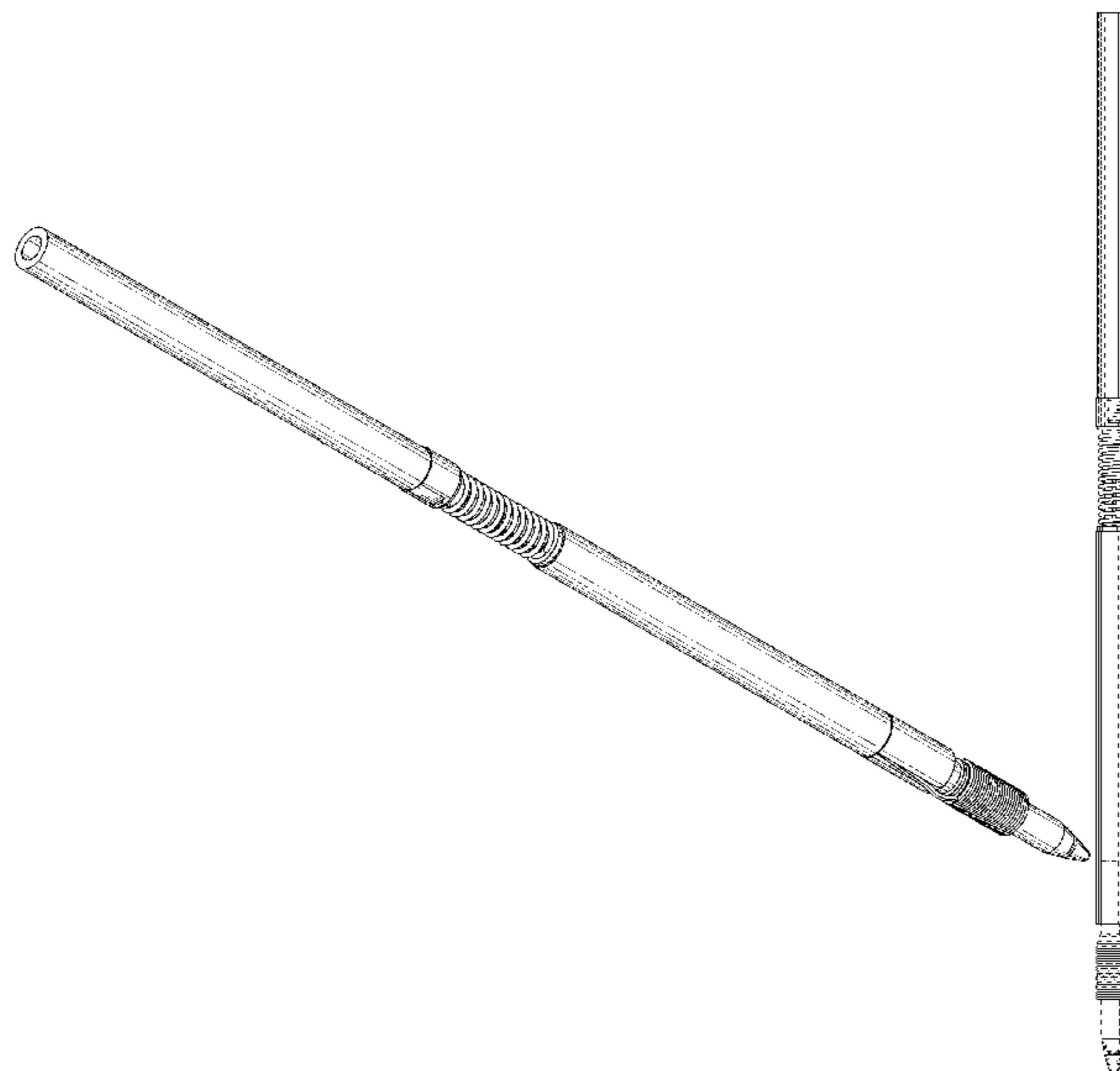
FIG. 6 is a left side elevational view thereof;

FIG. 7 is top plan view thereof; and,

FIG. 8 is a bottom plan view thereof.

The broken lines in the figures depict portions of the cartridge for an electronic pen that form no part of the claimed design.

1 Claim, 5 Drawing Sheets



(56)

References Cited

U.S. PATENT DOCUMENTS

D933,661 S 10/2021 Hashimoto et al.
D934,246 S * 10/2021 Ge D21/333
D944,253 S * 2/2022 Gettings D14/411
D945,420 S * 3/2022 Hashimoto D14/411
2014/0306940 A1* 10/2014 Fukushima G06F 3/046
345/179

FOREIGN PATENT DOCUMENTS

EM 007770284-0002 S 4/2020
JP 01383822 S 3/2010

* cited by examiner

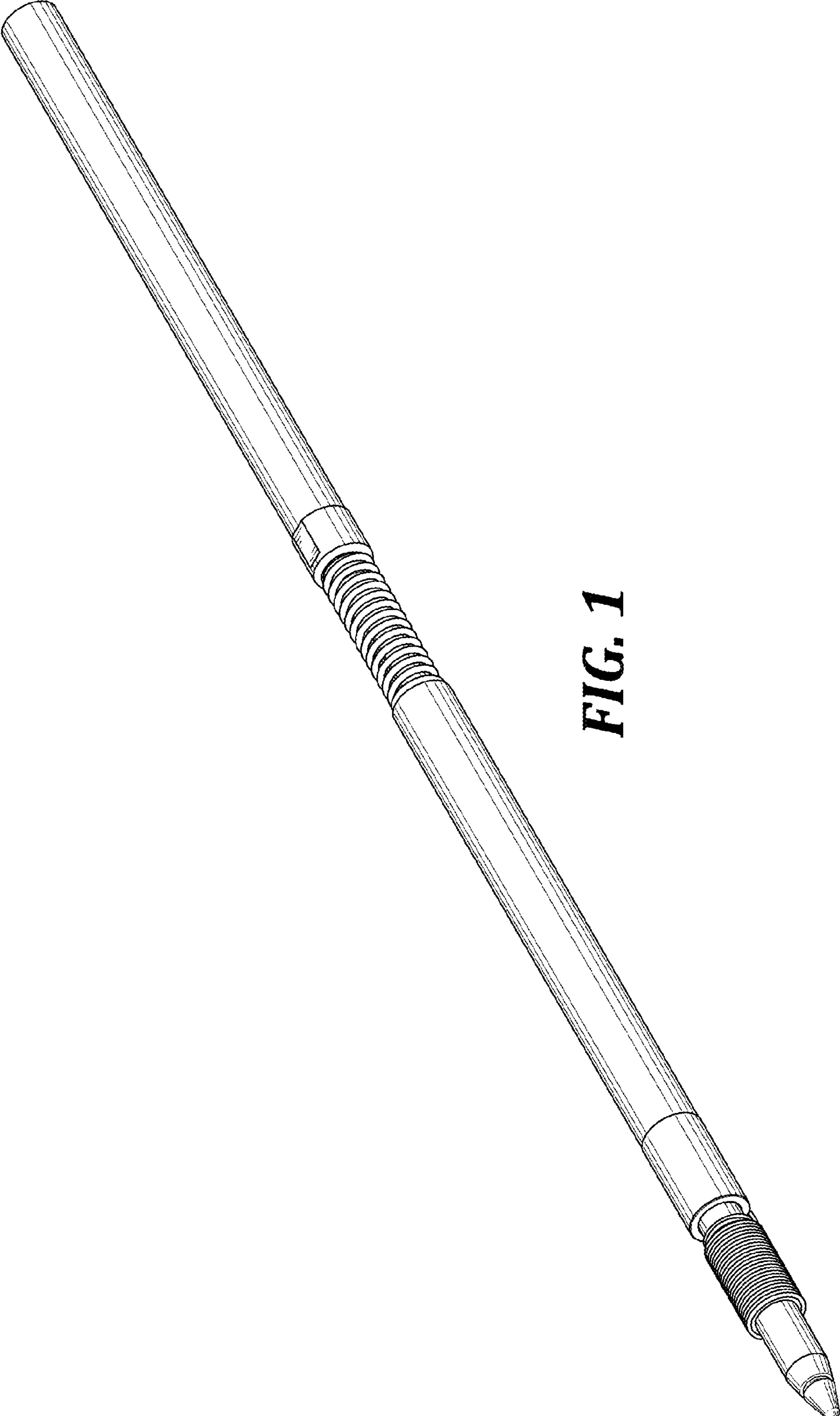


FIG. 1

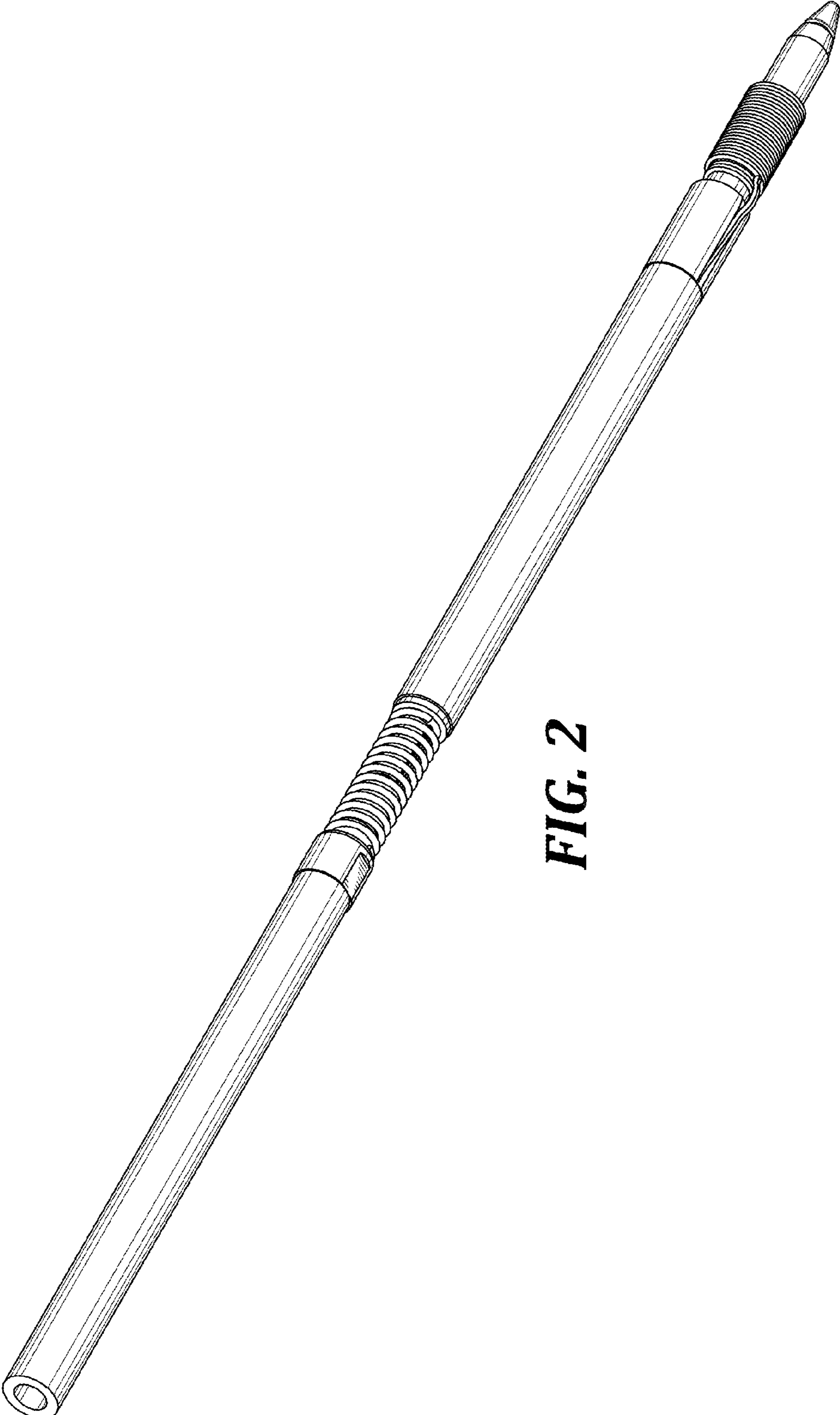


FIG. 2

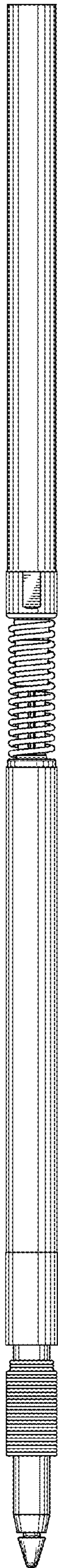


FIG. 3

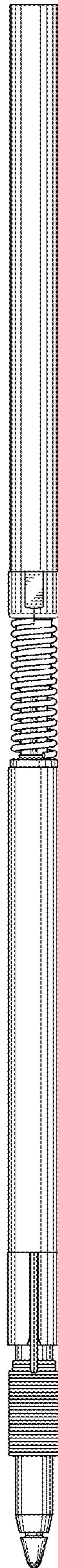


FIG. 4

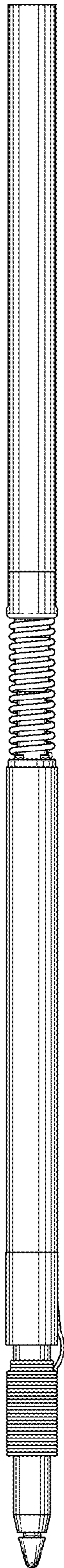


FIG. 5

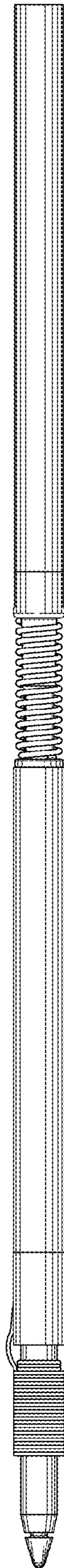


FIG. 6

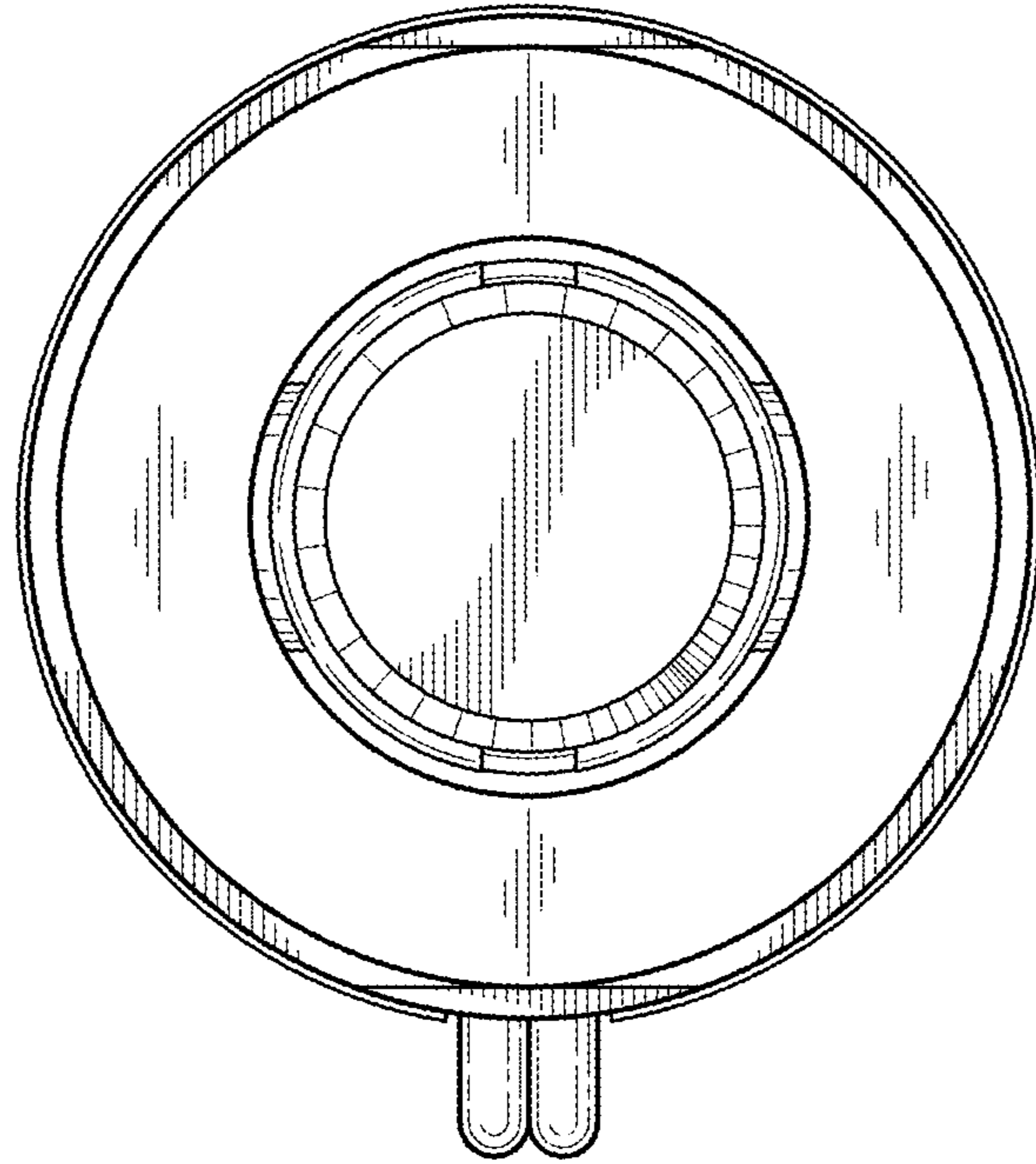


FIG. 7

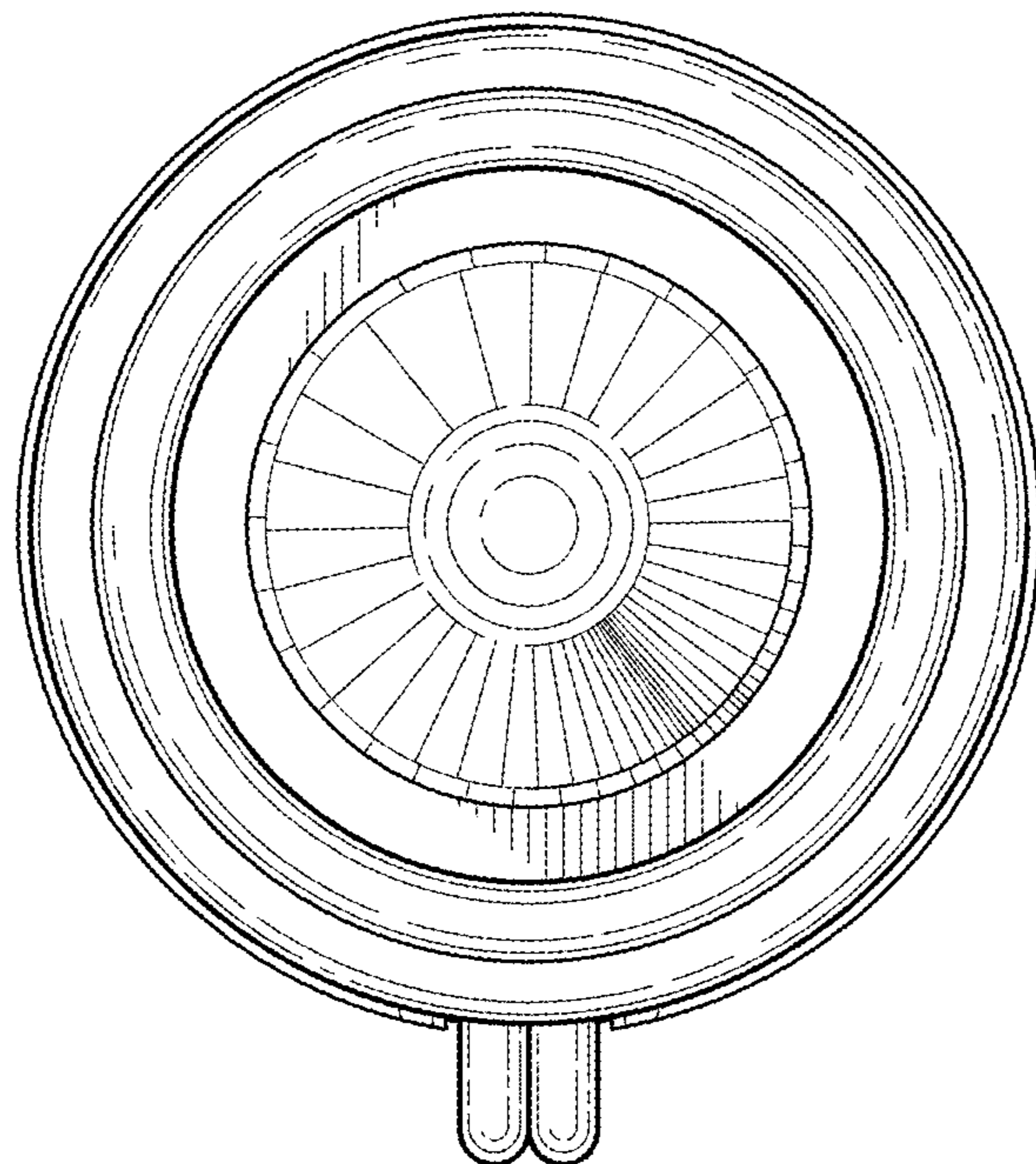


FIG. 8