



US00D968405S

(12) **United States Design Patent** (10) **Patent No.:** **US D968,405 S**
Lu et al. (45) **Date of Patent:** **** Nov. 1, 2022**

(54) **ACCESS CONTROLLER**

(56) **References Cited**

(71) Applicant: **Amazon Technologies, Inc.**, Seattle, WA (US)
(72) Inventors: **Wen-Yo Lu**, Pasadena, CA (US); **Christopher Loew**, Palo Alto, CA (US); **Spiro Sacre**, Los Angeles, CA (US); **Matthew J. England**, Santa Monica, CA (US); **Mark D. Siminoff**, Mountain View, CA (US); **Ahmet Can Musabeyoglu**, Sunnyvale, CA (US); **Taru Roy**, Mountain View, CA (US); **Kaushik Mani**, Sunnyvale, CA (US)

U.S. PATENT DOCUMENTS

D480,725 S	*	10/2003	Funato	D14/383
D699,614 S		2/2014	Ke	
D719,862 S		12/2014	Fiedler et al.	
D736,207 S		8/2015	Bousfield et al.	
D784,333 S	*	4/2017	Hsu	D14/383
D801,287 S	*	10/2017	Tehranchi	D14/383
D812,616 S	*	3/2018	Potash	D14/383
D838,271 S		1/2019	Kaneko et al.	
D839,873 S	*	2/2019	Biesaart	D14/383
D844,604 S	*	4/2019	Bolotin	D14/383
D849,004 S	*	5/2019	Bierach	D14/383
D849,005 S	*	5/2019	Bierach	D14/383
D855,613 S	*	8/2019	Kaiya	D14/383

(Continued)

Primary Examiner — Austin Murphy
(74) *Attorney, Agent, or Firm* — Lee & Hayes, P.C.

(73) Assignee: **Amazon Technologies, Inc.**, Seattle, WA (US)

(**) Term: **15 Years**

(21) Appl. No.: **29/821,810**

(22) Filed: **Jan. 3, 2022**

(57) **CLAIM**

The ornamental design for an access controller, as shown and described.

Related U.S. Application Data

(62) Division of application No. 29/730,146, filed on Apr. 1, 2020, now Pat. No. Des. 942,451.

(51) **LOC (13) Cl.** **14-02**

(52) **U.S. Cl.**
USPC **D14/383**

(58) **Field of Classification Search**

USPC D14/356–358, 383–385, 420, 426, 427, D14/432–439, 447, 453, 454, 217, 253, D14/299, 307; D13/107, 108, 133, 146, D13/147, 152, 154, 156, 158, 162, 162.1, D13/168, 173, 177, 102; 235/441, 451, 235/492, 380, 439, 375; 361/679.31, 600, 361/679.01, 679.02

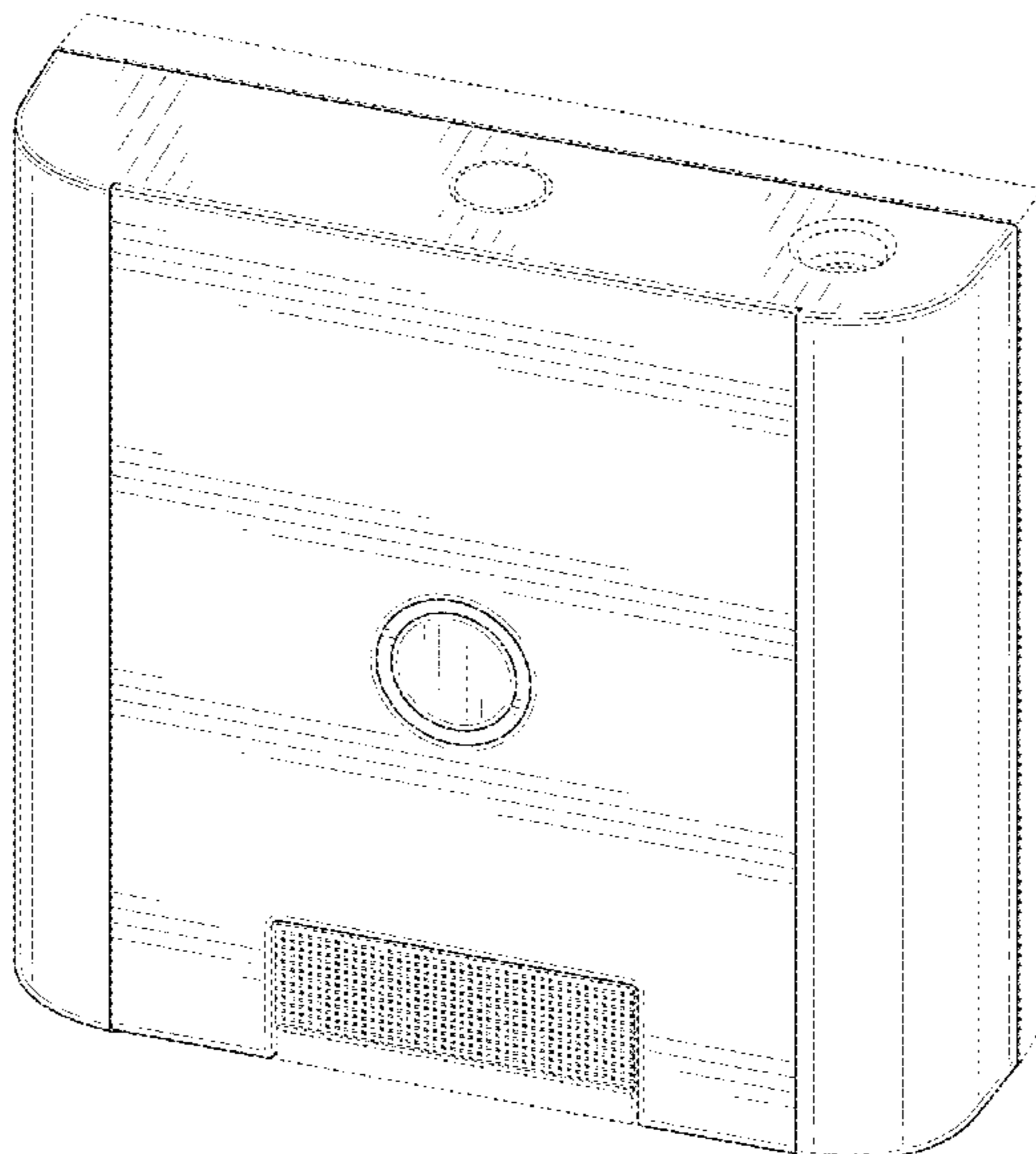
CPC G07C 9/00103; G07C 9/00039; G07C 9/00904; G06K 5/00; G06K 7/01

See application file for complete search history.

DESCRIPTION

FIG. 1 is a top, front, right-side perspective view of an access controller;
FIG. 2 is a bottom, front, left-side perspective view thereof;
FIG. 3 is a bottom, back, right-side perspective view thereof;
FIG. 4 is a front view thereof;
FIG. 5 is a back view thereof;
FIG. 6 is a left-side view thereof;
FIG. 7 is a right-side view thereof;
FIG. 8 is a top view thereof; and,
FIG. 9 is a bottom view thereof.
The dashed broken lines depict portions of the access controller that form no part of the claimed design.

1 Claim, 9 Drawing Sheets



(56)

References Cited

U.S. PATENT DOCUMENTS

D859,409 S 9/2019 Tsujikawa et al.
D859,410 S 9/2019 Tsujikawa et al.
D864,200 S 10/2019 Holman, IV et al.
D892,114 S * 8/2020 Siminoff D14/383

* cited by examiner

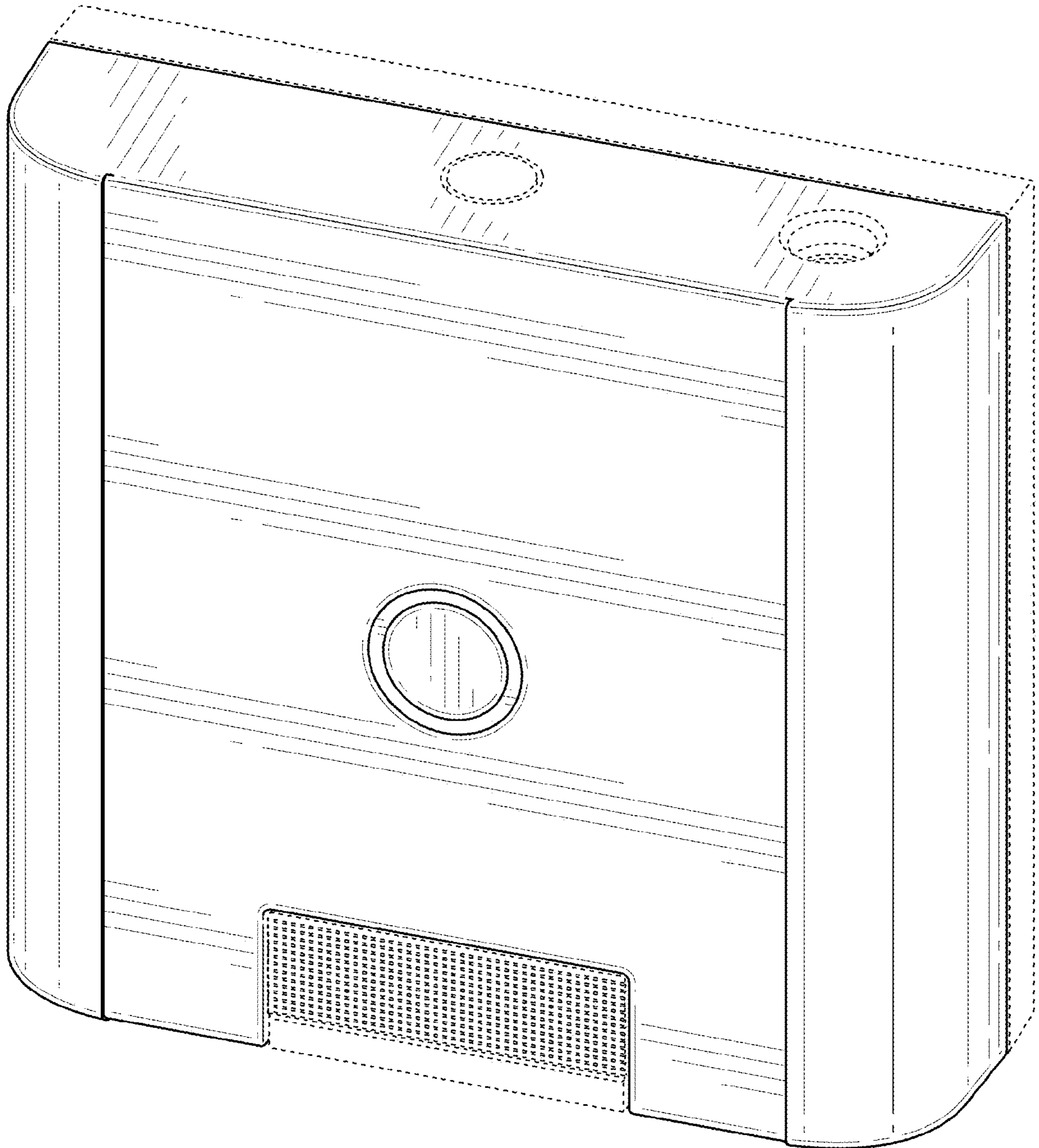


FIG. 1

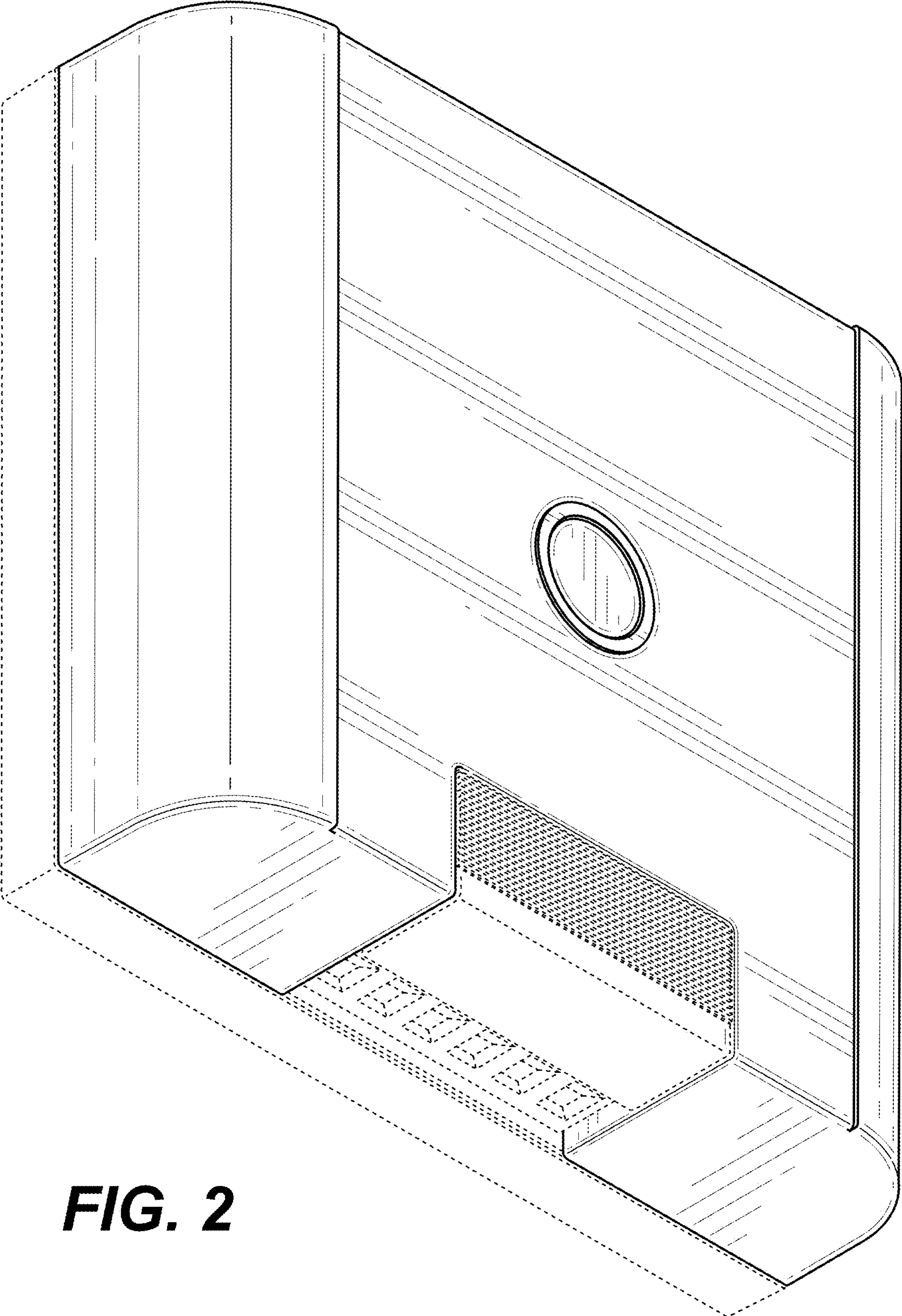


FIG. 2

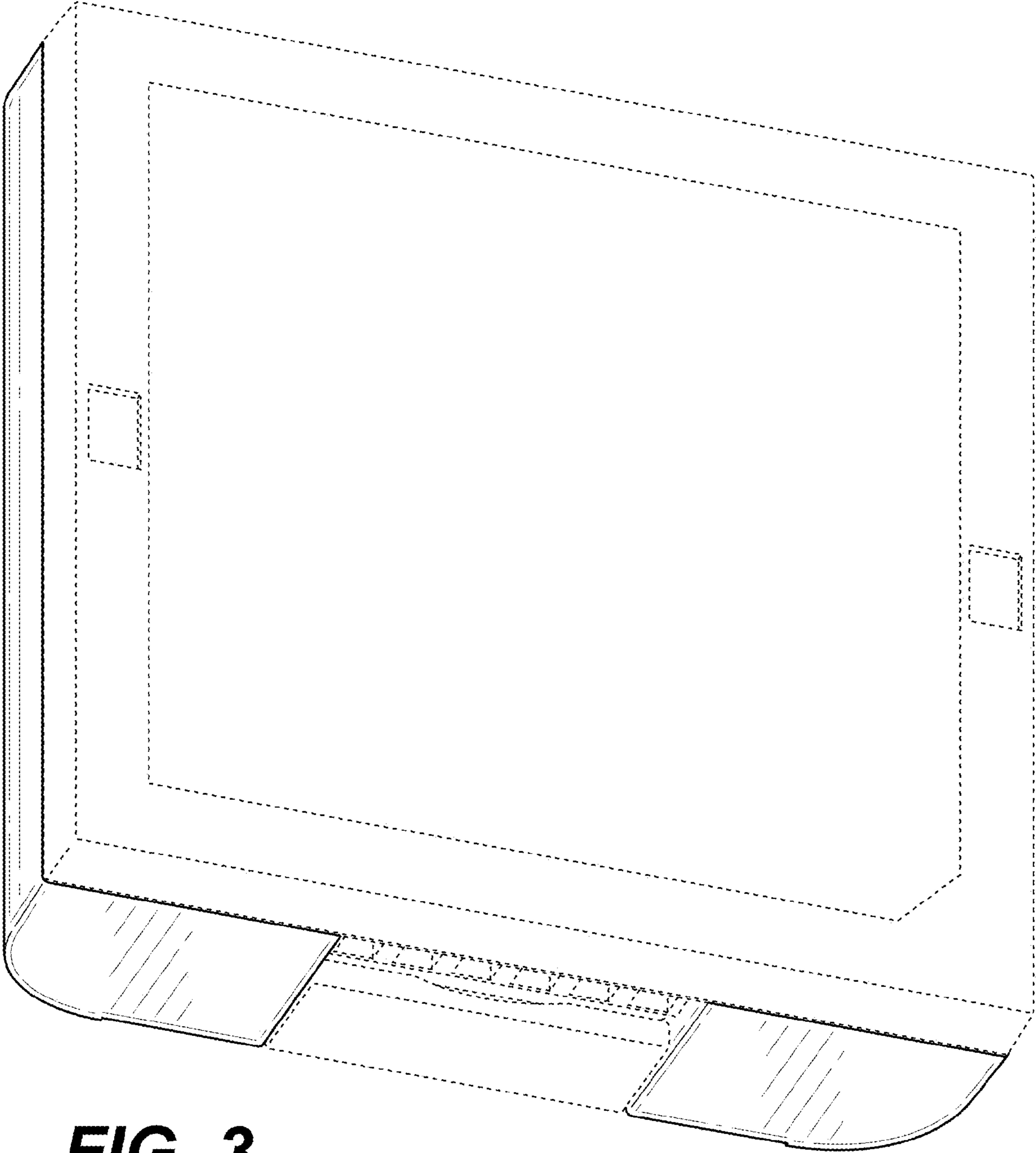


FIG. 3

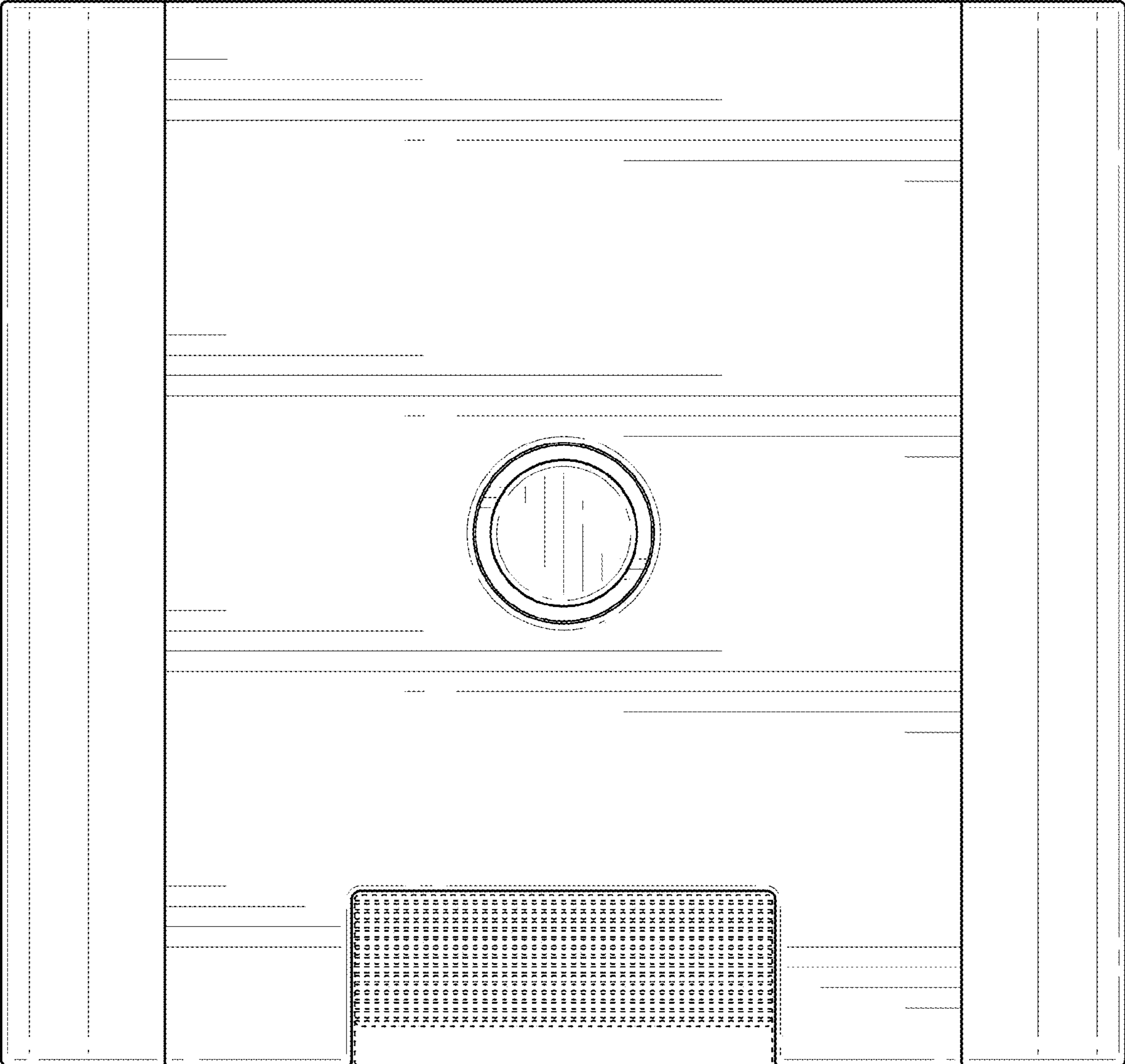


FIG. 4

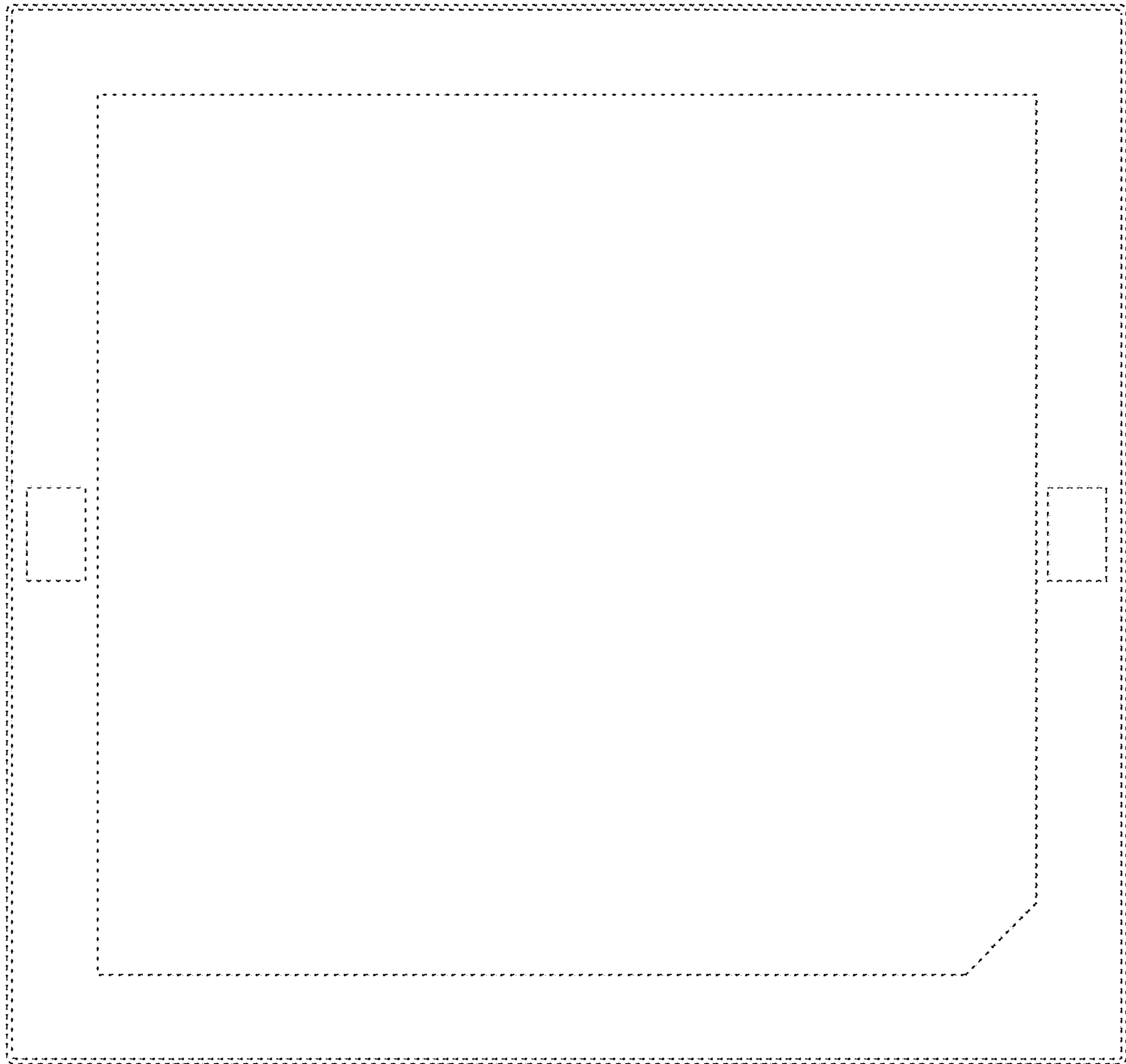


FIG. 5

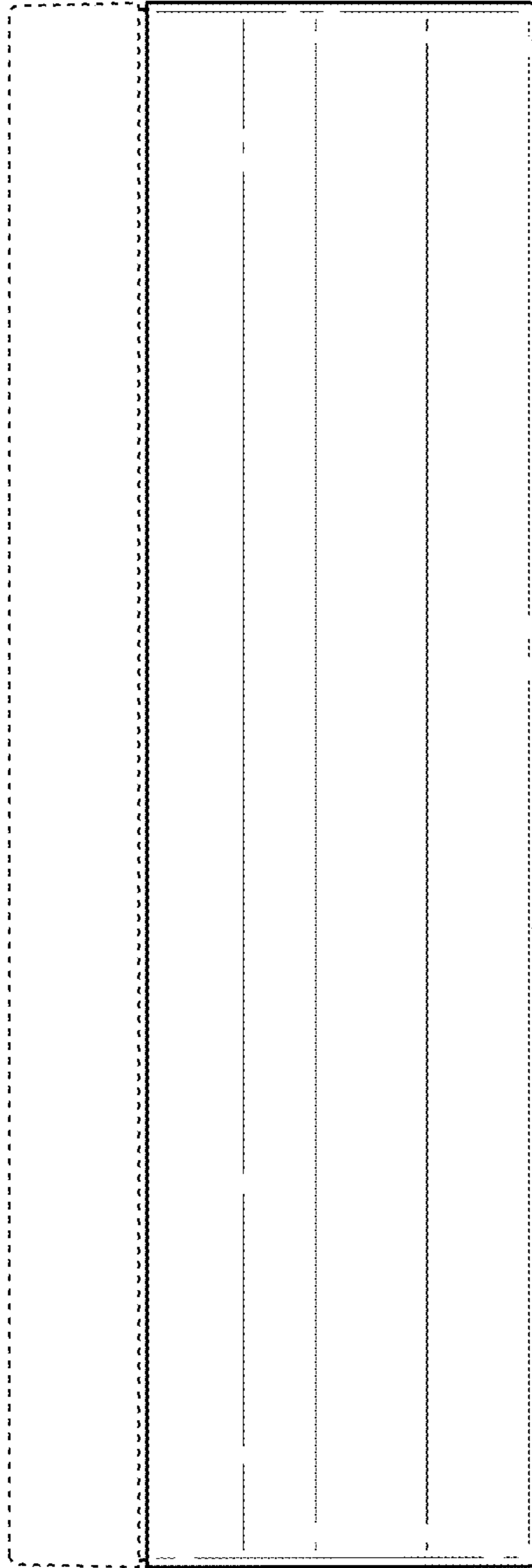


FIG. 6

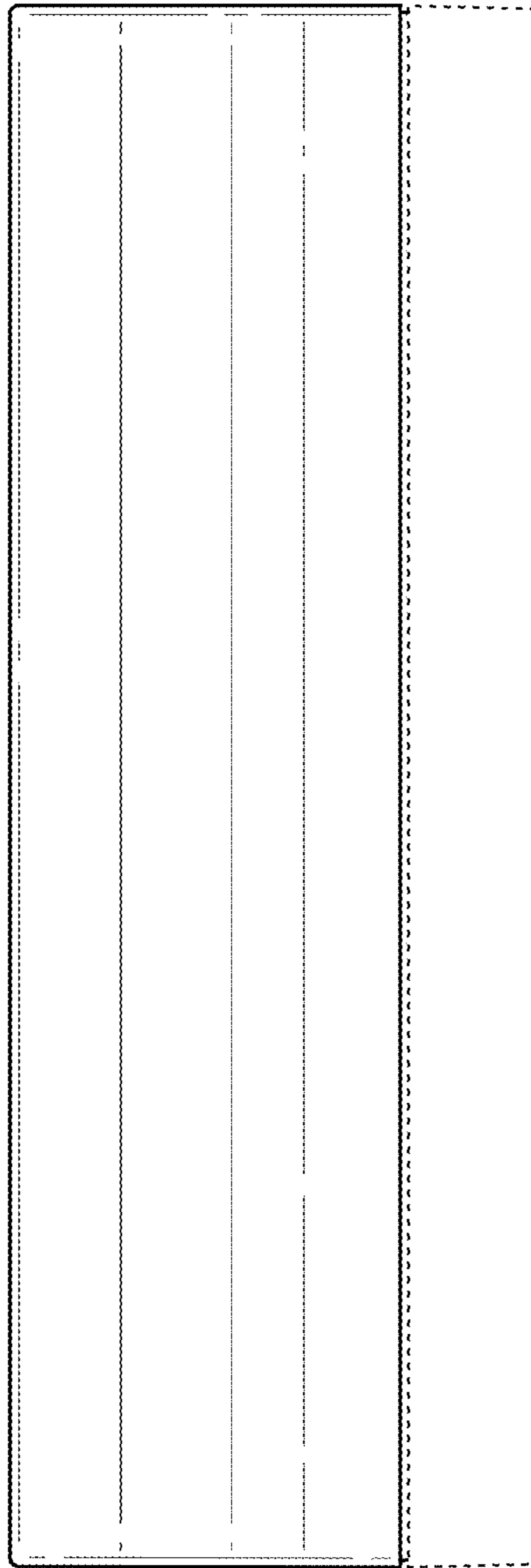


FIG. 7

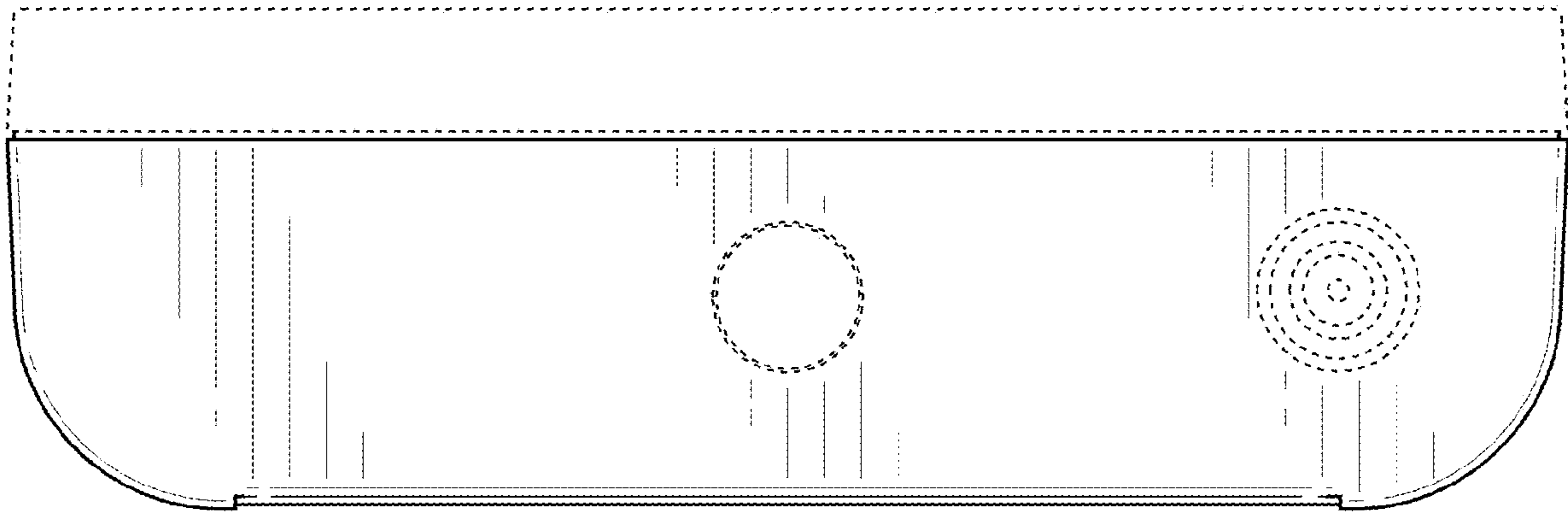


FIG. 8

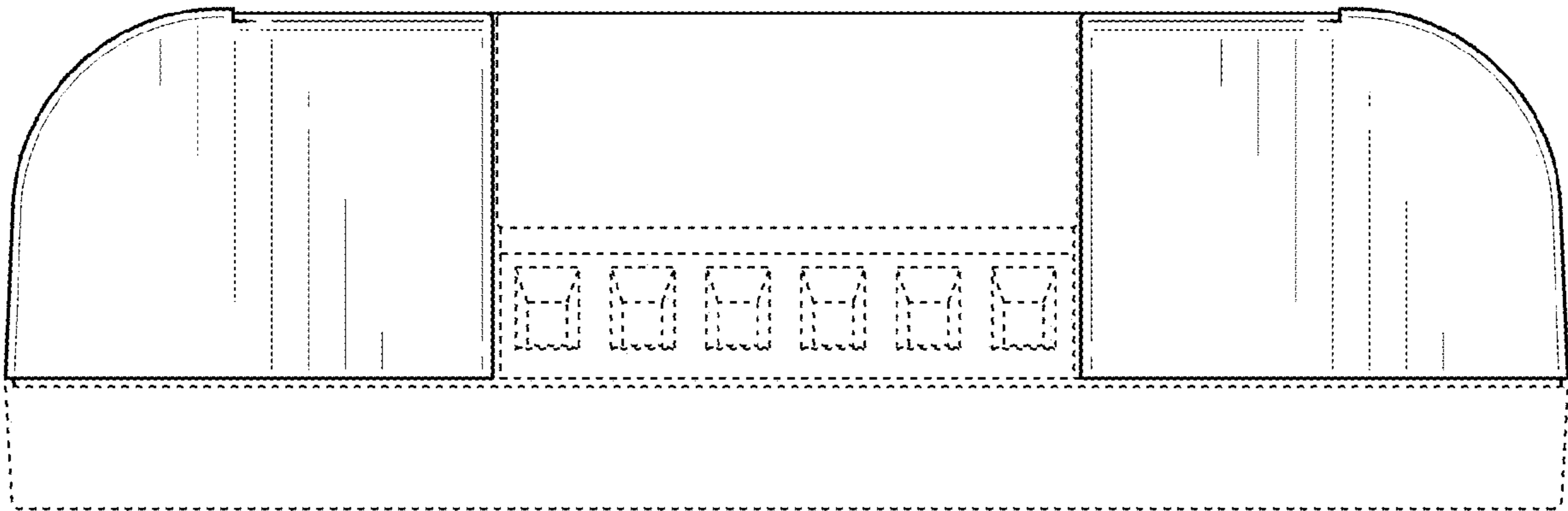


FIG. 9