



US00D968402S

(12) **United States Design Patent** (10) **Patent No.:** **US D968,402 S**
Roig et al. (45) **Date of Patent:** **** *Nov. 1, 2022**

(54) **HEADSET STRAP**

(71) Applicant: **META PLATFORMS TECHNOLOGIES, LLC**, Menlo Park, CA (US)

(72) Inventors: **Enric Vial Roig**, Seattle, WA (US); **Mauricio Romano**, Redmond, WA (US); **David Michael Pickett**, Seattle, WA (US); **Peter Allan Chase Newbury**, Burlington, WA (US); **Quintin Morris**, Seattle, WA (US); **Peter Wesley Bristol**, Seattle, WA (US); **Joseph Patrick Sullivan**, Seattle, WA (US); **Glen Jason Tompkins**, Woodinville, WA (US); **Joel Bernard Jacobs**, Seattle, WA (US)

(73) Assignee: **Meta Platforms Technologies, LLC**, Menlo Park, CA (US)

(*) Notice: This patent is subject to a terminal disclaimer.

(**) Term: **15 Years**

(21) Appl. No.: **29/754,281**

(22) Filed: **Oct. 8, 2020**

(51) **LOC (13) Cl.** **14-02**

(52) **U.S. Cl.**
USPC **D14/372**

(58) **Field of Classification Search**
USPC D14/372, 496, 432, 371, 125, 126, 129, D14/299; D16/300-342; 351/158, 153, 351/144; 345/7-9, 905; 455/344; 348/115, 53, 121, 739
CPC G02B 27/017; G02B 27/0158; G02B 27/0161; G02B 27/0181; G02B 27/0185; G02B 27/0189

See application file for complete search history.

(56) **References Cited**

U.S. PATENT DOCUMENTS

3,892,792 A	7/1975	Yankee	
3,893,478 A	7/1975	Peters	
D398,403 S *	9/1998	Bishop D24/231
9,385,396 B2	7/2016	Goh et al.	
D778,909 S	2/2017	Nokuo	
D780,753 S	3/2017	Park et al.	
D809,517 S	2/2018	Sakata et al.	

(Continued)

FOREIGN PATENT DOCUMENTS

EP	2937005 B1	1/2018
NO	2020021951 A1	1/2020

OTHER PUBLICATIONS

Morris Q., et al., "Head-Mounted Display," U.S. Appl. No. 29/723,785, filed Feb. 10, 2020, 23 pages.

(Continued)

Primary Examiner — Austin Murphy

(74) *Attorney, Agent, or Firm* — FisherBroyles LLP

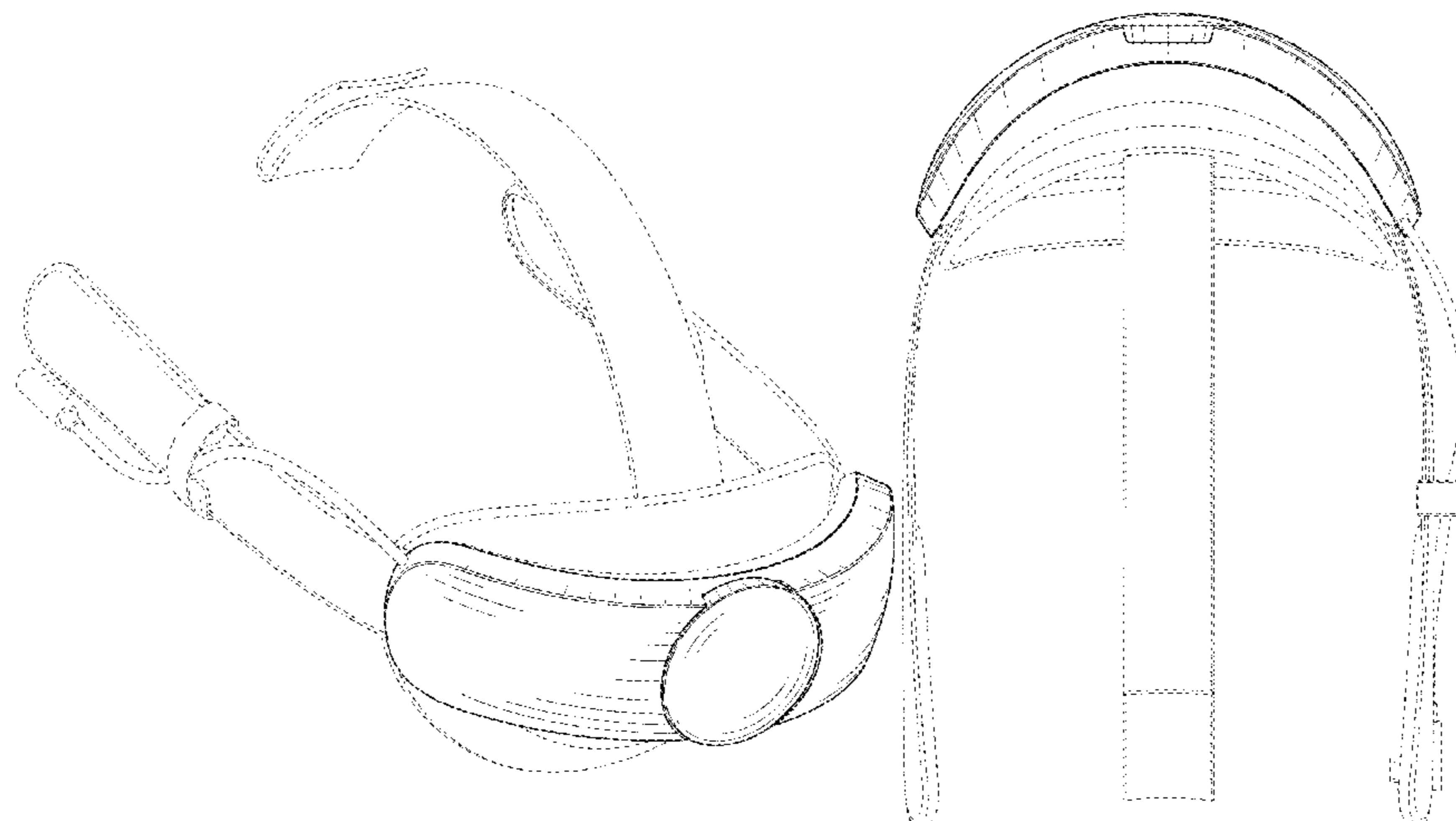
(57) **CLAIM**

The ornamental design for a headset strap, as shown and described.

DESCRIPTION

FIG. 1 is a front perspective view of a headset strap showing the claimed design;
FIG. 2 is a rear perspective view thereof;
FIG. 3 is a front view thereof;
FIG. 4 is a rear view thereof;
FIG. 5 is a top view thereof;
FIG. 6 is a bottom view thereof;
FIG. 7 is a left side view thereof; and,
FIG. 8 is a right side view thereof.

(Continued)



The broken lines shown in the figures illustrate portions of the headset strap that form no part of the claimed design.

1 Claim, 7 Drawing Sheets

(56)

References Cited

U.S. PATENT DOCUMENTS

D823,855 S	7/2018	Robertson et al.	
D827,642 S	9/2018	Liu et al.	
D829,208 S	9/2018	Dallmeyer et al.	
D834,016 S	11/2018	Raffle et al.	
10,146,262 B1	12/2018	Magrath et al.	
D838,719 S	1/2019	Wei et al.	
10,297,868 B2	5/2019	Choi et al.	
D861,680 S	10/2019	Chou et al.	
D863,300 S *	10/2019	Boger	D14/372
D865,764 S	11/2019	Miller et al.	
D867,362 S	11/2019	Chou et al.	
D869,464 S *	12/2019	Chang	D14/372
D870,977 S *	12/2019	Berggren	D29/122
D872,079 S *	1/2020	Huang	D14/372
D875,093 S	2/2020	Park	
D875,094 S	2/2020	Miller et al.	
D882,568 S	4/2020	Park	
D882,569 S *	4/2020	Tsao	D14/372
D883,280 S	5/2020	Shao et al.	
D885,383 S *	5/2020	Chang	D14/372
10,663,737 B1	5/2020	Magrath et al.	
D889,464 S *	7/2020	Wang	D14/372
D892,792 S	8/2020	Miller et al.	
D893,478 S	8/2020	Watanabe et al.	
D896,221 S	9/2020	Lee et al.	
D898,025 S *	10/2020	Bhat	D14/372
D898,738 S	10/2020	Denhez et al.	
D900,095 S	10/2020	Wang et al.	
D900,099 S	10/2020	Park	
D900,435 S *	11/2020	Huang	D14/372
D904,402 S *	12/2020	Marquis	D14/372
D905,055 S	12/2020	Shao et al.	
D910,014 S	2/2021	Amijo et al.	
D910,015 S	2/2021	Amijo et al.	
D910,018 S	2/2021	Amijo et al.	
D912,048 S	3/2021	Wei et al.	
D916,086 S	4/2021	Zhang et al.	
D916,702 S *	4/2021	Newsom	D14/372
D917,476 S	4/2021	Zhang et al.	
D918,203 S	5/2021	Chen	

D918,864 S	5/2021	Bulte et al.	
D918,904 S	5/2021	Jackson et al.	
D920,974 S *	6/2021	Chi	D14/372
D924,234 S *	7/2021	Meng	D14/372
D925,528 S	7/2021	Bristol et al.	
D925,529 S	7/2021	Morris et al.	
D925,530 S	7/2021	Morris et al.	
D926,757 S	8/2021	Wang	
D927,785 S *	8/2021	Wu	D29/102
D928,151 S *	8/2021	Hu	D14/372
D929,401 S	8/2021	Chiang et al.	
D929,402 S	8/2021	Jiang	
D931,277 S *	9/2021	Denhez	D14/372
D931,278 S	9/2021	Pombo et al.	
D932,488 S *	10/2021	Huang	D14/372
D937,262 S	11/2021	Chi	
D939,017 S *	12/2021	Liang	D16/339
D943,575 S *	2/2022	Conlee, IV	D14/372
D951,961 S *	5/2022	Natsume	D14/372
D953,328 S *	5/2022	Forsland	D14/372
2012/0297520 A1	11/2012	Sleason et al.	
2017/0238643 A1	8/2017	Pereira et al.	
2018/0042330 A1	2/2018	Wu	
2018/0335632 A1 *	11/2018	Cho	G02B 7/002
2019/0339736 A1	11/2019	Shang et al.	

OTHER PUBLICATIONS

Wikipedia, "LG G Flex", URL: https://en.wikipedia.org/wiki/LG_G_Flex, as accessed on Jun. 19, 2020, 2 pages.

Lang, Ben, "HoloLens 2 Specs Reveal 2-3 Hour 'Active' Battery Life, Optional Top Strap, & More", URL: <https://www.roadtovr.com/hololens-2-specs-resolution-field-of-view-battery-life/>, Feb. 24, 2019, 5 pages.

Howard et al., "Curved Batteries, Devices, and Accessories", U.S. Appl. No. 62/901,082, filed Sep. 16, 2019, 75 pages.

Howard et al., "Non-Uniformly Curved Batteries", U.S. Appl. No. 16/818,611, filed Mar. 13, 2020, 115 pages.

Howard et al., "Curved Battery-Pack Devices and Accessories", U.S. Appl. No. 16/818,614, filed Mar. 13, 2020, 117 pages.

Roig et al., "Head Cradle for Head-Mounted Display and Related Systems and Devices", U.S. Appl. No. 63/060,716, filed Aug. 4, 2020, 65 pages.

Flores et al., "Fabric Reinforced Soft Actuators", U.S. Appl. No. 63/050,310, filed Jul. 10, 2020, 56 pages.

Barreiros et al., "Fabric Reinforced Soft Actuators", U.S. Appl. No. 17/111,549, filed Dec. 4, 2020, 71 pages.

International Search Report and Written Opinion for International Application No. PCT/US2021/044233, dated Oct. 29, 2021, 15 pages.

* cited by examiner

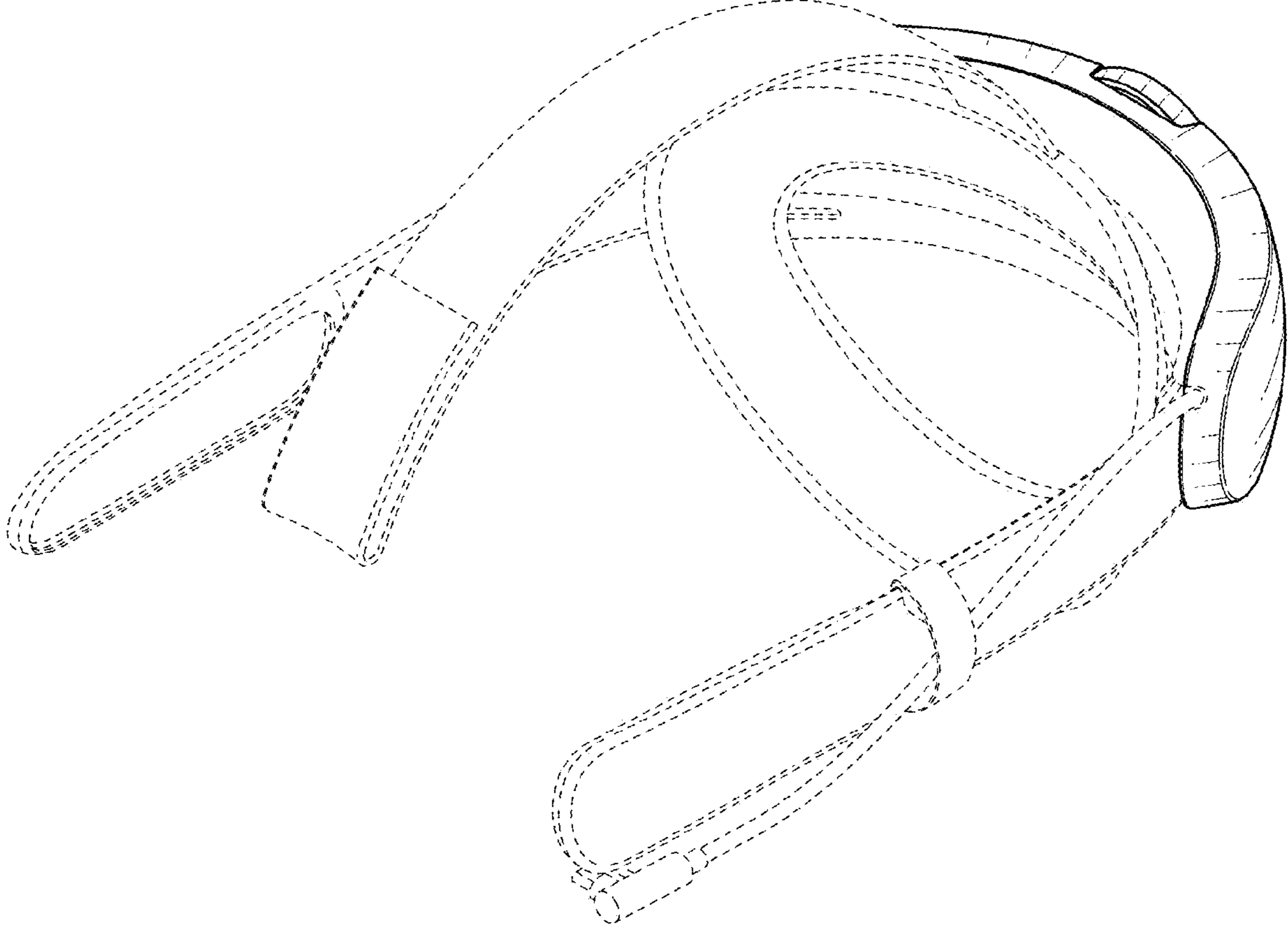


FIG. 1

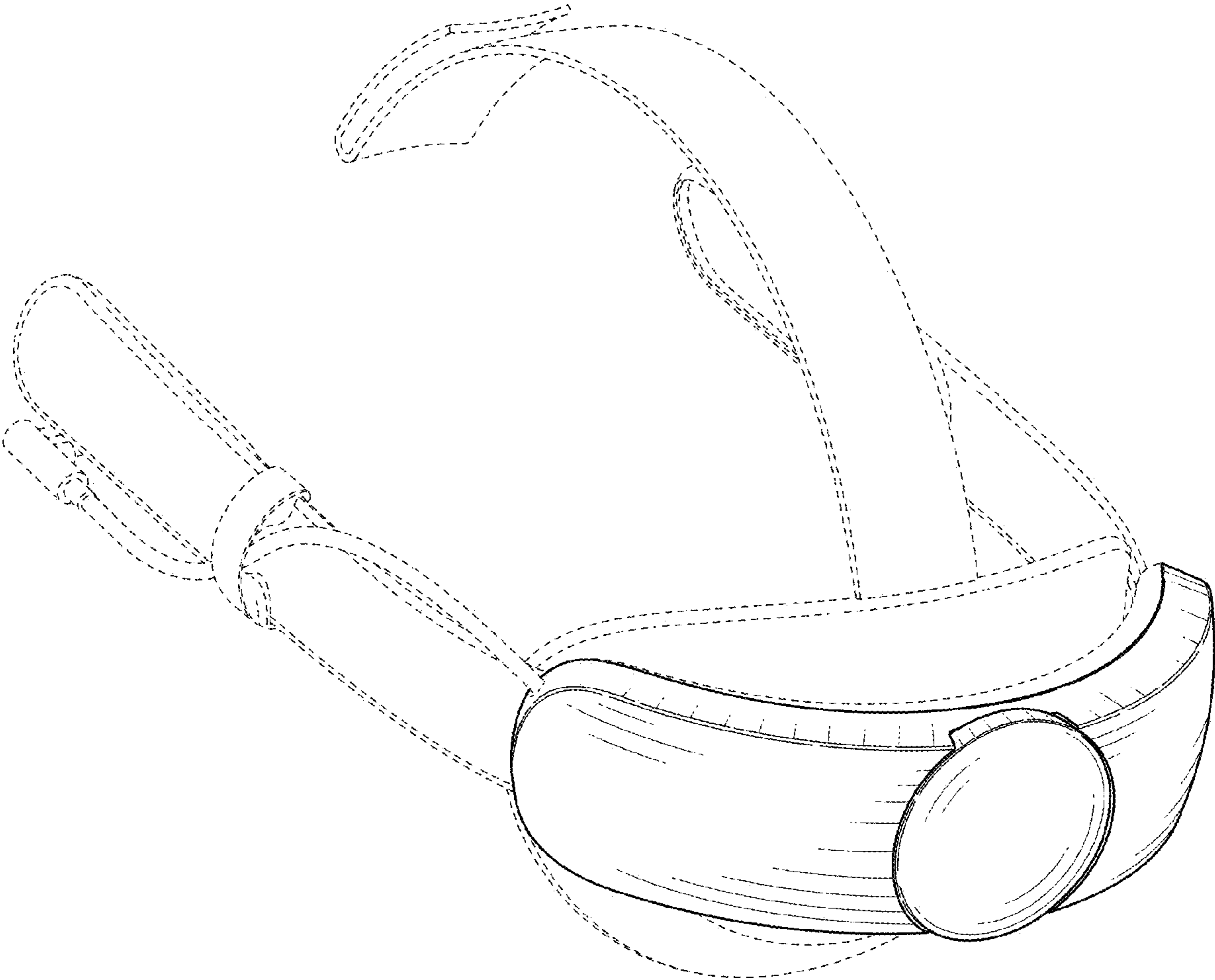


FIG. 2

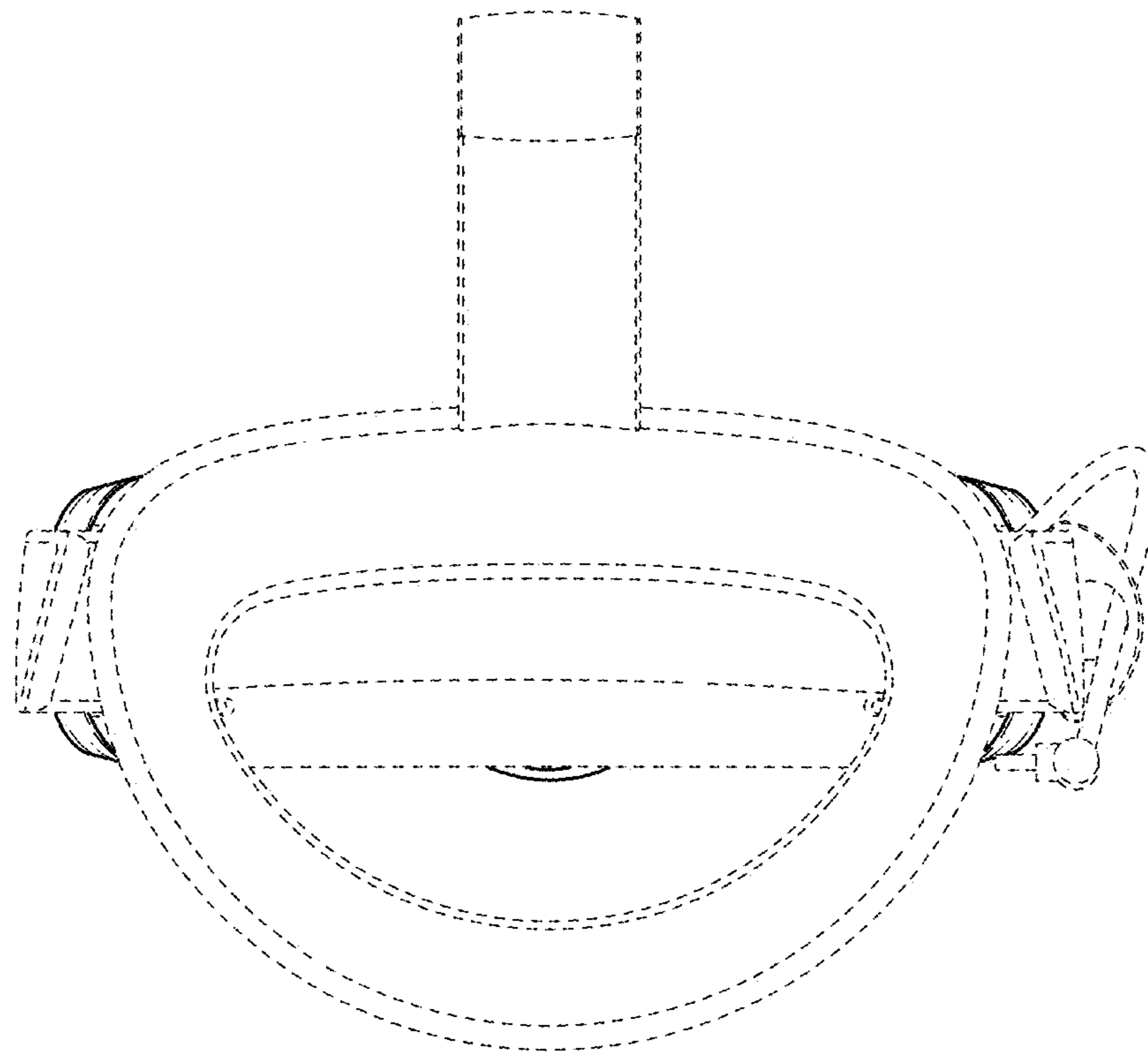


FIG. 3

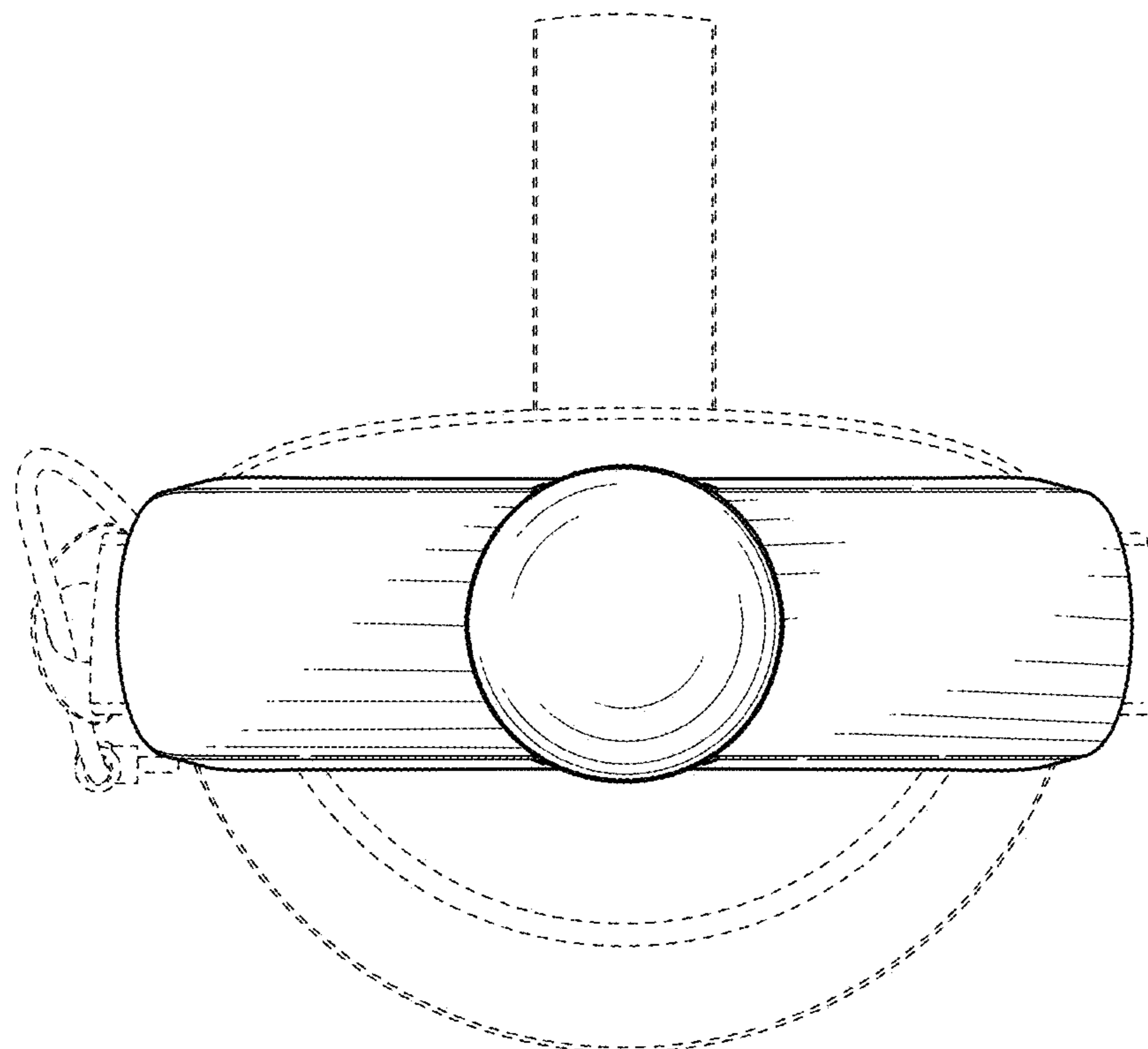


FIG. 4

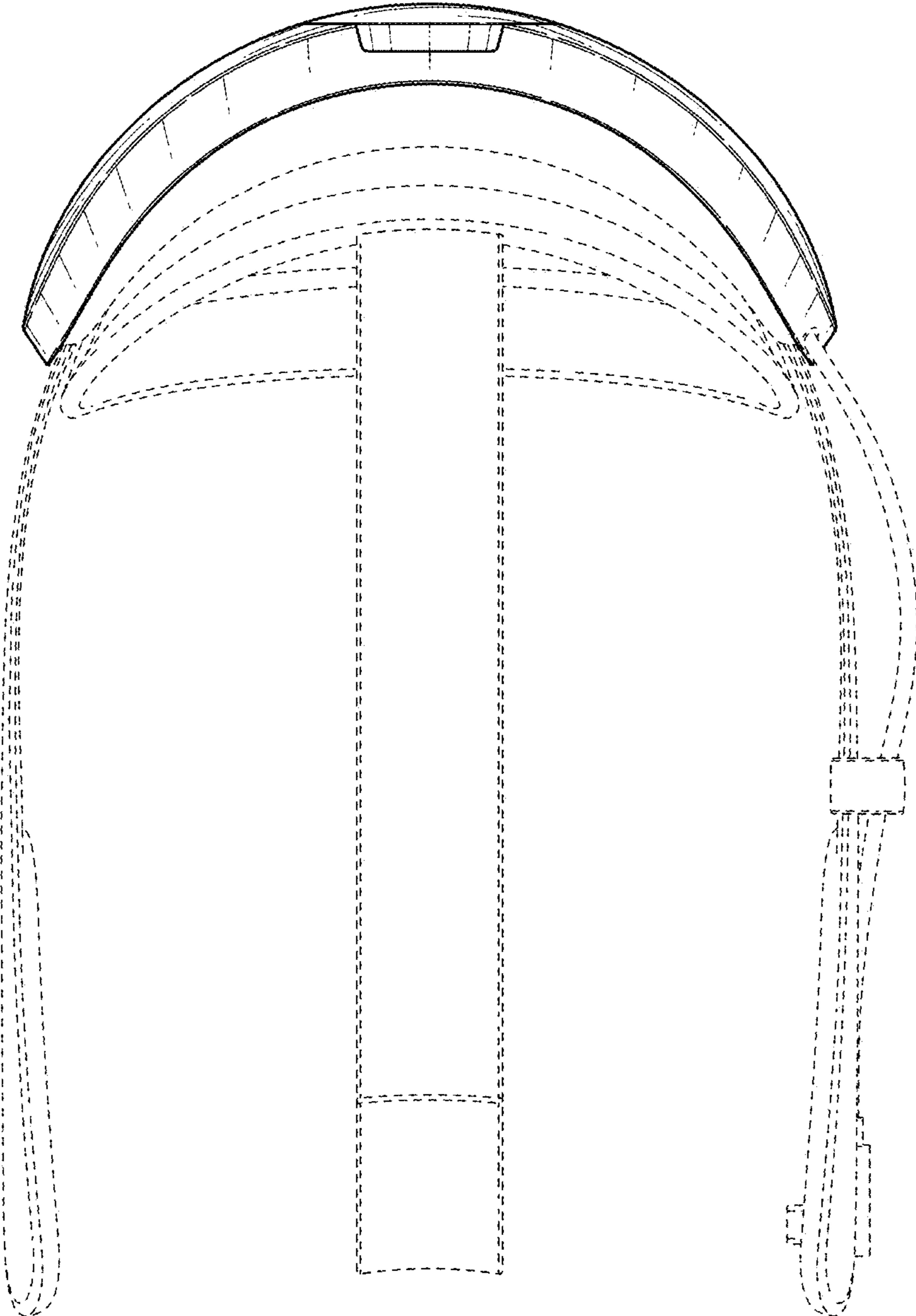


FIG. 5

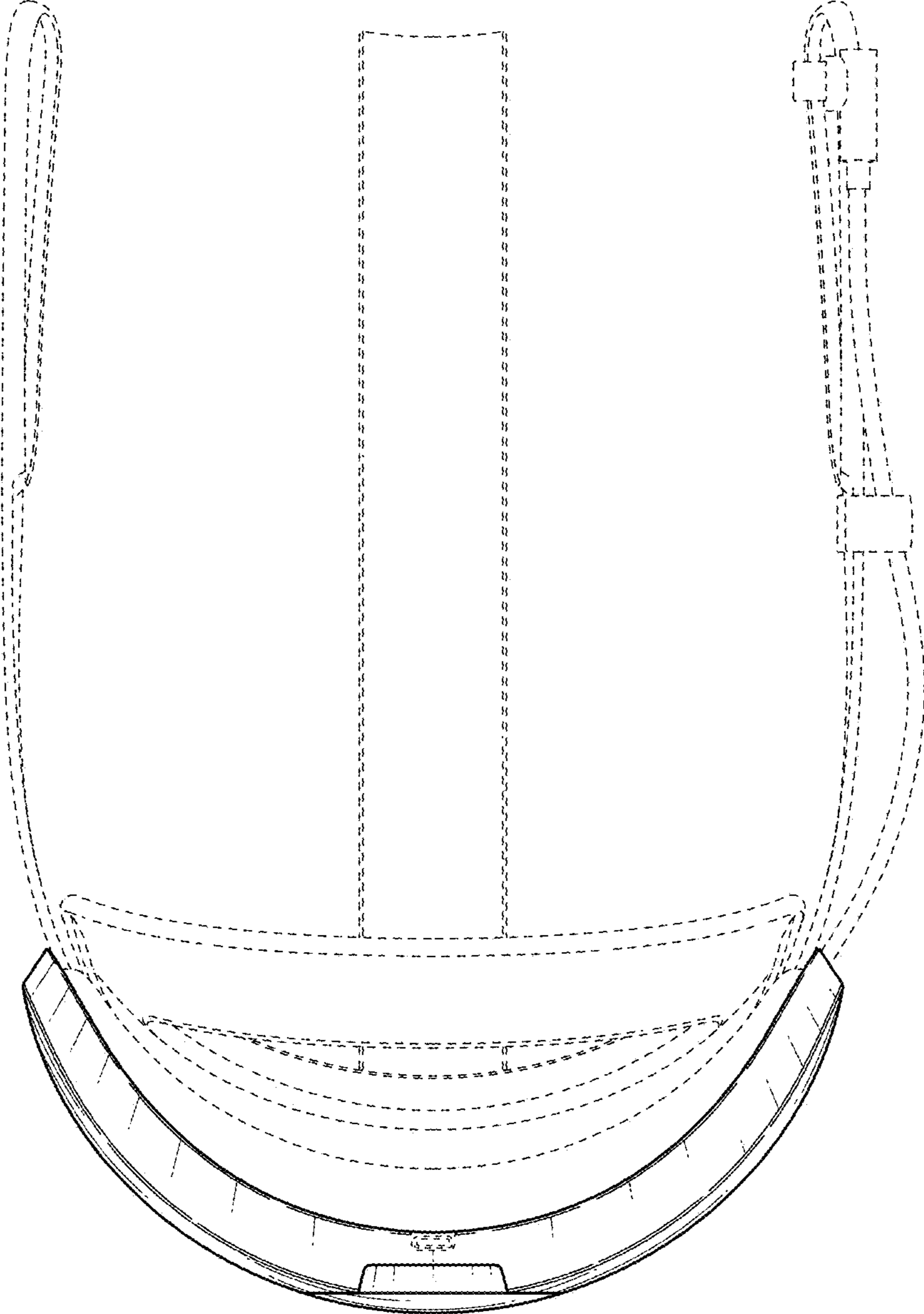


FIG. 6

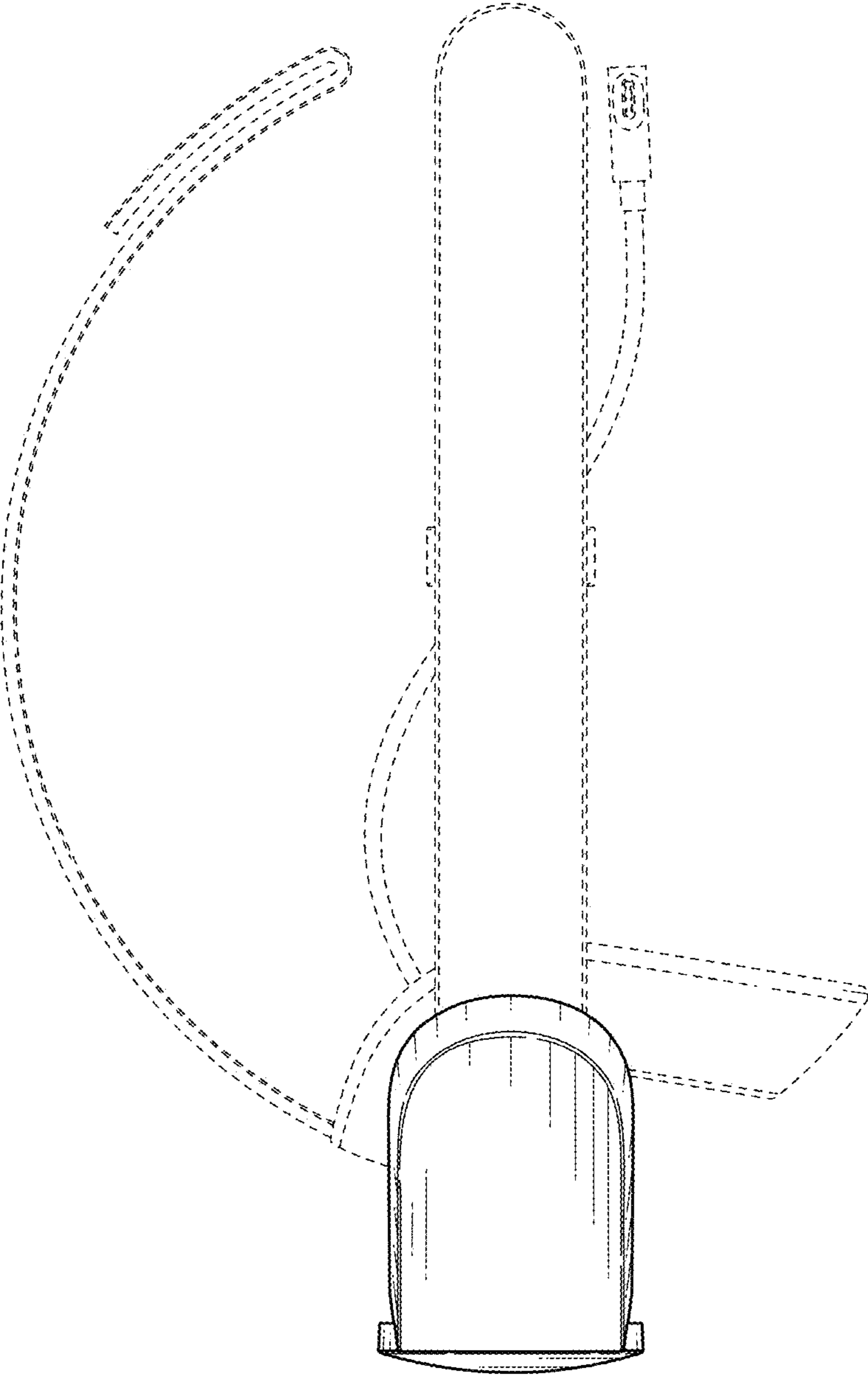


FIG. 7

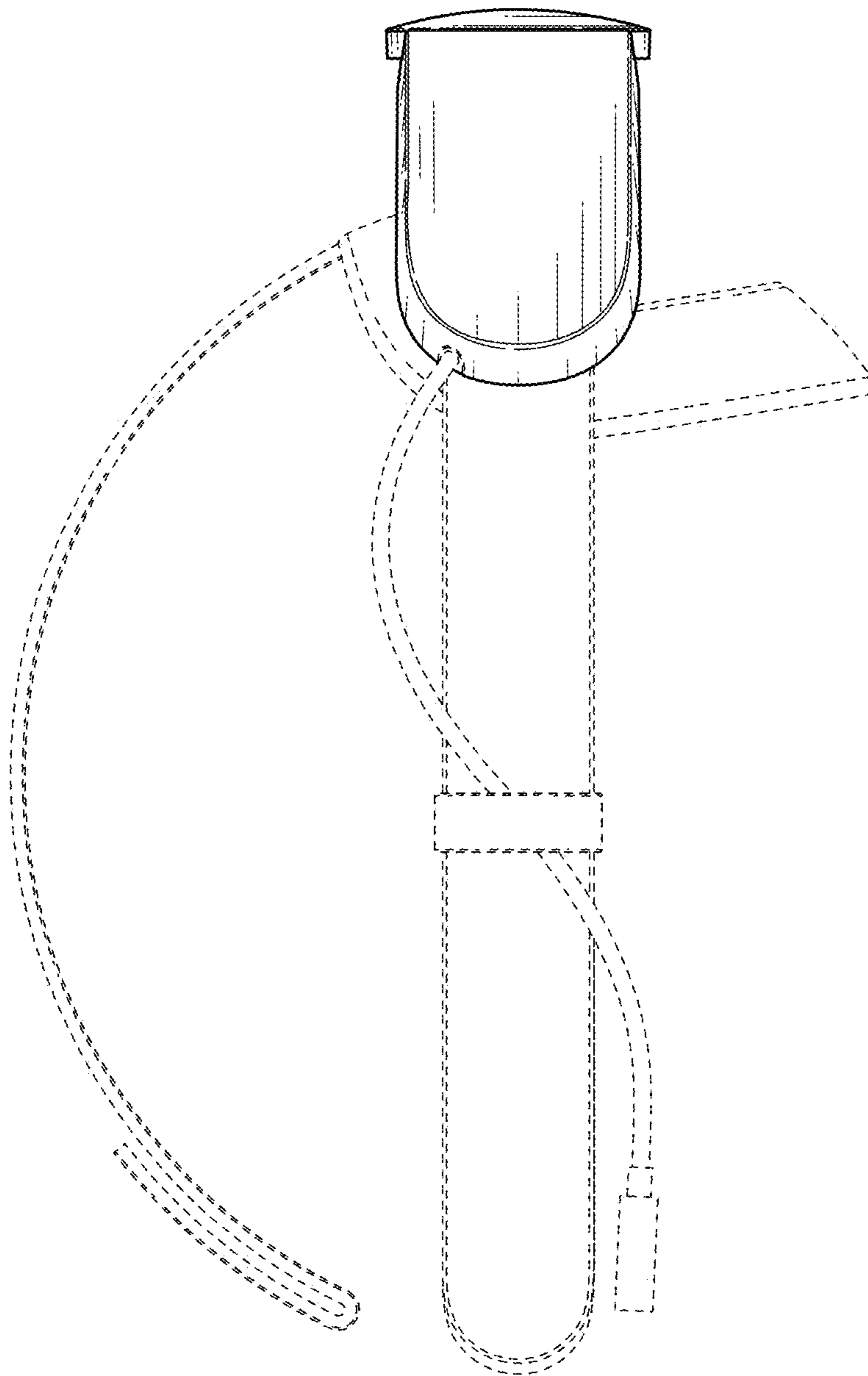


FIG. 8