



US00D968400S

(12) **United States Design Patent**
Goh et al.

(10) **Patent No.: US D968,400 S**

(45) **Date of Patent: ** Nov. 1, 2022**

(54) **DISPLAY**

(71) Applicant: **Dell Products L.P.**, Round Rock, TX
(US)

(72) Inventors: **Chun Long Goh**, Singapore (SG); **Yu Weng Alvin Sitoh**, Singapore (SG);
Kar Choon Ng, Singapore (SG); **Erene Teo**, Singapore (SG)

(73) Assignee: **Dell Products L.P.**, Round Rock, TX
(US)

(**) Term: **15 Years**

(21) Appl. No.: **29/734,254**

(22) Filed: **May 11, 2020**

(51) **LOC (13) Cl.** **14-02**

(52) **U.S. Cl.**
USPC **D14/371**; D14/376

(58) **Field of Classification Search**
USPC D14/305, 306, 307, 315, 316, 322, 334,
D14/335, 336, 339, 340, 356, 371, 372,
D14/373, 374, 375, 376, 377, 378, 379,
D14/380, 381, 382, 432, 448, 449, 450,
D14/451, 452, 125, 126, 127, 129, 132,
D14/133, 217, 239

CPC G06F 1/16; G06F 1/1601; G06F 1/1603;
G06F 1/1605; G06F 1/1607; G06F
1/1611; G06F 1/1616; G06F 1/1618;
G06F 1/1622; G06F 1/1626; G06F
1/1641; G06F 1/1643; G06F 1/1647;
G06F 1/1649; G06F 1/1654; G06F
1/1656; G06F 1/181; G06F 1/1684; G06F
1/1686; G06F 1/1692; G06F 1/20; H05K
5/00; H05K 5/03; H05K 5/0243; H05K
5/0286; H05K 5/0239; H05K 5/02; H05K
5/0204; H05K 5/0217; H05K 5/0247;
H05K 5/0234; H05K 5/0213; H04N 5/64;
H04N 5/645

See application file for complete search history.

(56) **References Cited**

U.S. PATENT DOCUMENTS

D434,037 S *	11/2000	Chang	D14/375
D594,007 S *	6/2009	Ho	D14/375
D601,146 S *	9/2009	Chueh	D14/375
D644,642 S *	9/2011	Chou	D14/374
D710,357 S *	8/2014	Quijano	D14/374
D724,040 S	3/2015	Lim		
D726,717 S *	4/2015	Lee	D14/371

(Continued)

OTHER PUBLICATIONS

Dell S2721DGFA Gaming Monitor. Dell, amazon.com (online) 12 pages. Posted Nov. 15, 2020. [Retrieved Mar. 29, 2022] https://www.amazon.de/dp/B08NFBKNMY/ref=cm_sw_em_r_mt_dp_6C9XQ8K5J9PCVNF8S1BS (Year: 2020).*

(Continued)

Primary Examiner — Kathleen L Jones
Assistant Examiner — Cole Sanders Holman
(74) *Attorney, Agent, or Firm* — Zagorin Cave LLP;
Robert W. Holland

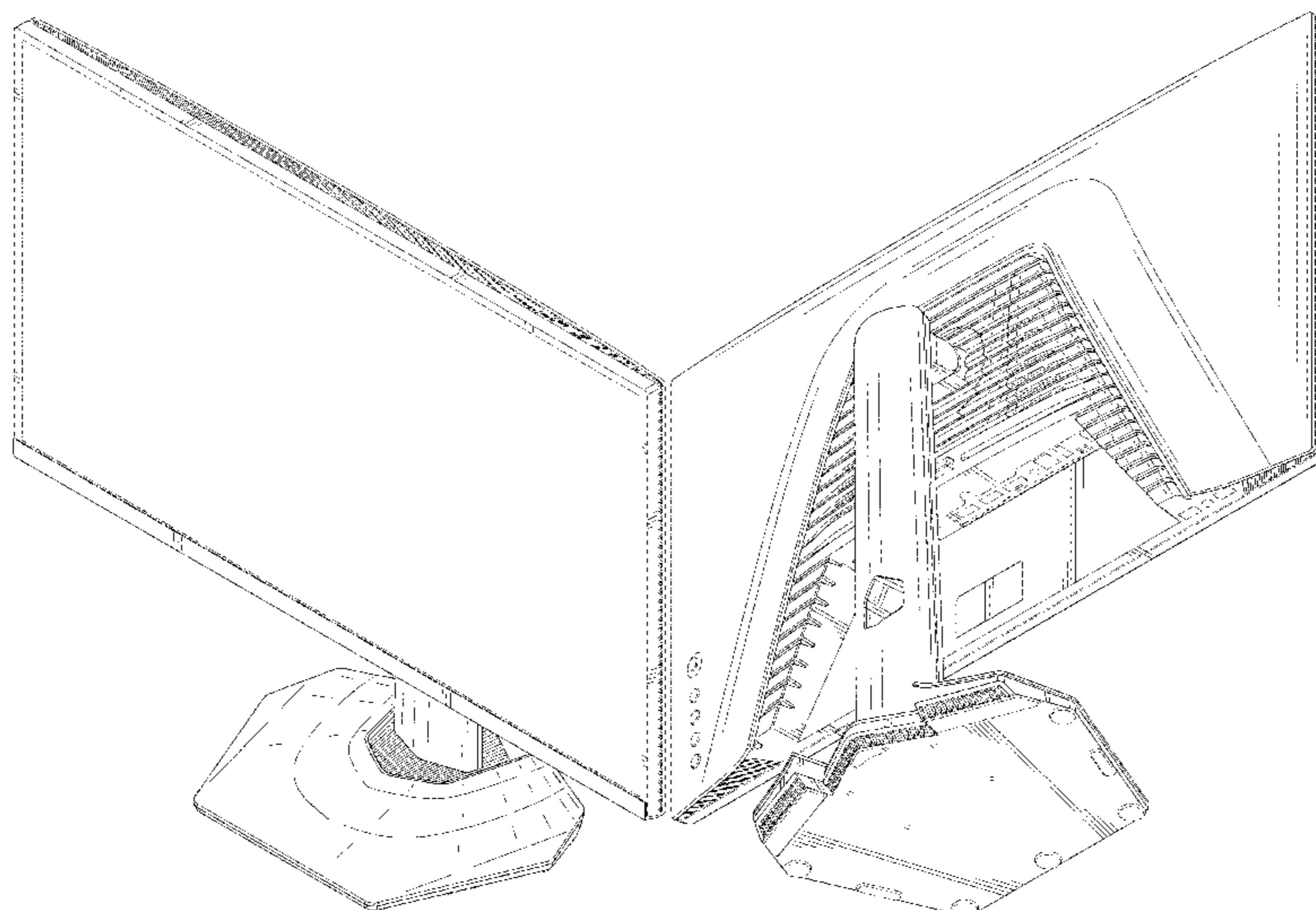
(57) **CLAIM**

We claim the ornamental design for a display, as shown and described.

DESCRIPTION

FIG. 1 is a front perspective view of the display comprising the present invention;
FIG. 2 is a front elevation view thereof;
FIG. 3 is a rear elevation view thereof;
FIG. 4 is a right side view thereof;
FIG. 5 is a left side view thereof;
FIG. 6 is a top view thereof; and
FIG. 7 is a bottom view thereof; and,
FIG. 8 is a rear perspective view thereof.
Broken lines shown in the drawings illustrate portions of the display, and form no part of the claimed design.

1 Claim, 6 Drawing Sheets



(56)

References Cited

U.S. PATENT DOCUMENTS

D761,256	S	*	7/2016	Lee	D14/371
D763,259	S	*	8/2016	Lee	D14/375
D812,614	S	*	3/2018	Lee	D14/375
D812,615	S	*	3/2018	Lee	D14/375
D821,395	S	*	6/2018	Thetard	D14/374
D888,054	S		6/2020	Tai		
D888,678	S	*	6/2020	Ryu	G06F 1/1605 D14/126
D894,196	S		8/2020	Wu		
D903,615	S	*	12/2020	Goh	D14/126
D945,991	S	*	3/2022	Kim	D14/336
2009/0122219	A1	*	5/2009	Miyayama	H04N 5/64 348/836
2014/0321039	A1	*	10/2014	Quijano	G06F 1/16 361/679.22

OTHER PUBLICATIONS

Dell, actually 27 inch. Dell, watchmono.com (online) 5 Pages. Posted Aug. 18, 2020. [Retrieved Mar. 29, 2022] <https://watchmono.com/e/dell-s2721dggf> (Year: 2020).*

U.S. Appl. No. 29/734,250, filed May 11, 2020, entitled "Display," by inventors Tung Chen Wu.

Republic of Gamers, "ROG Swift PG279Q," downloaded from <https://rog.asus.com/monitors/27-to-31-5-inches/rog-swift-pg279q-model/> Mar. 11, 2021, 1 page.

* cited by examiner

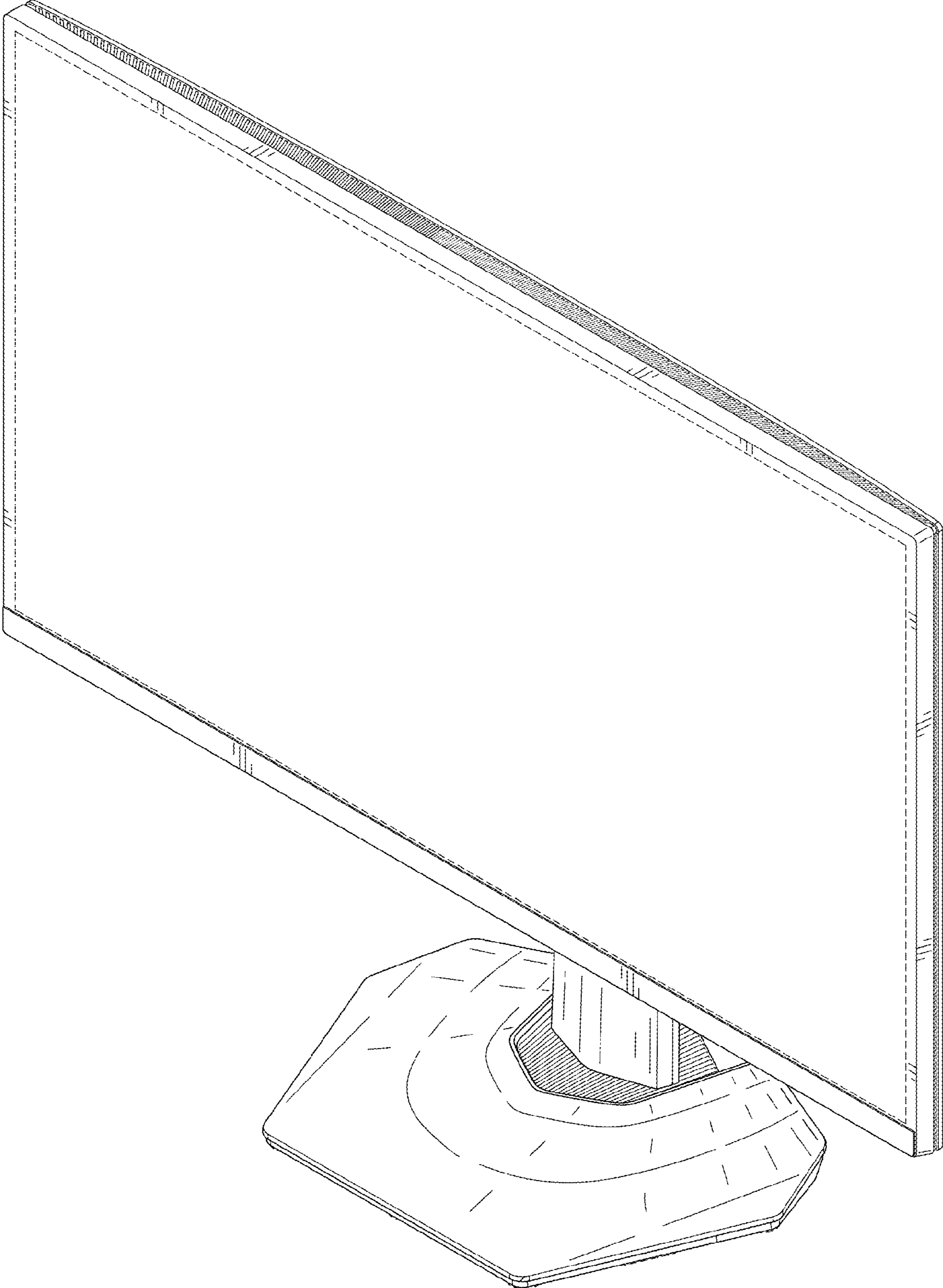
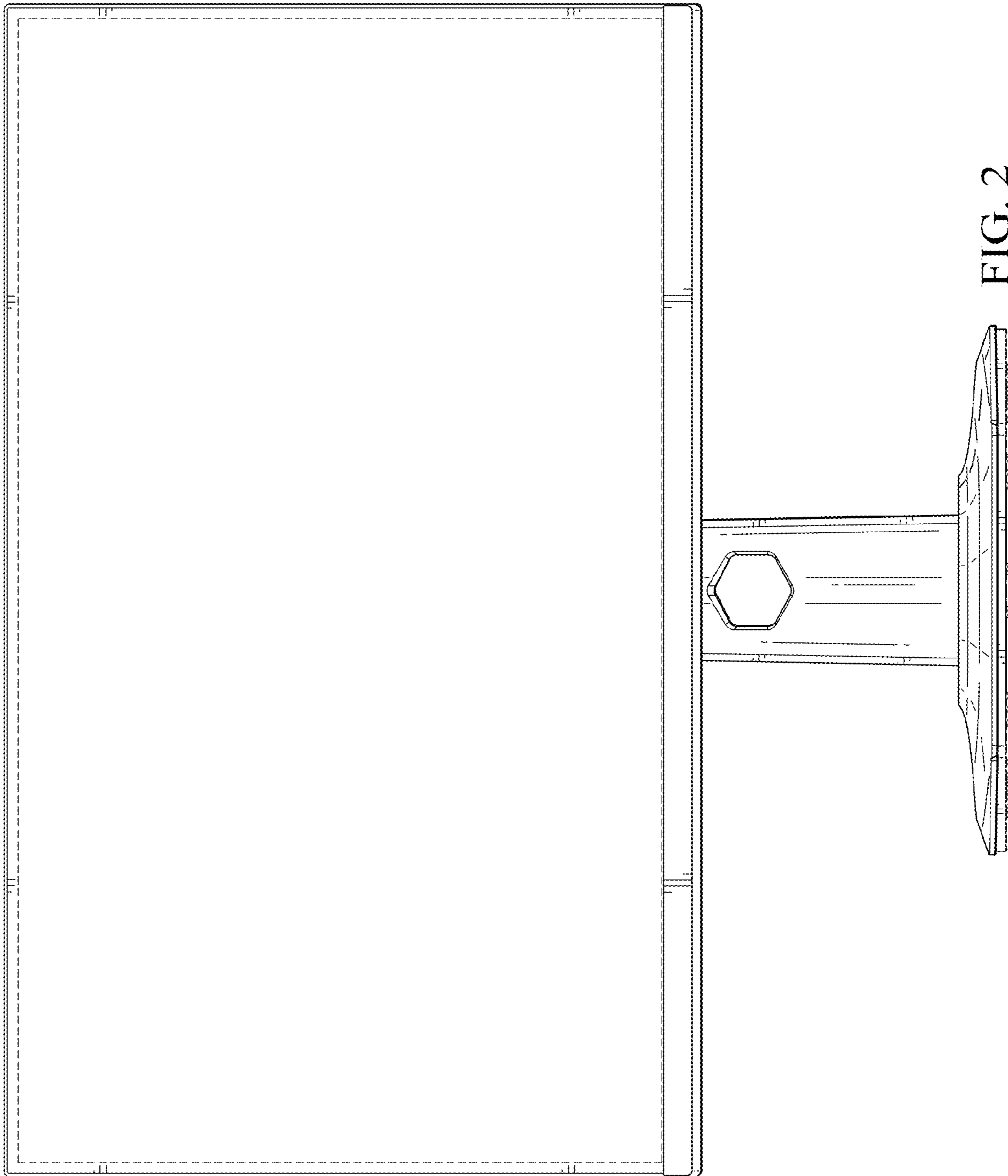
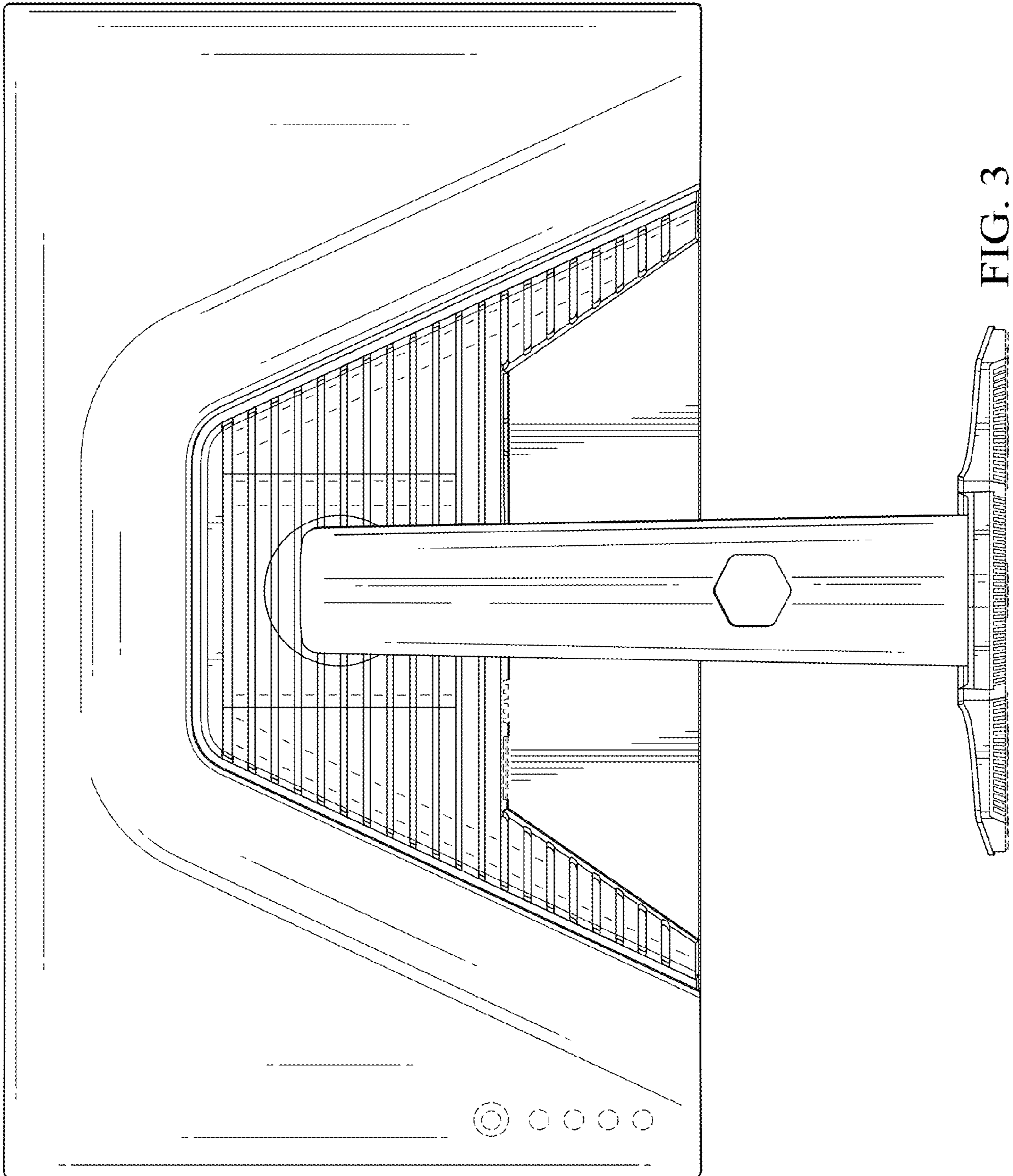


FIG. 1





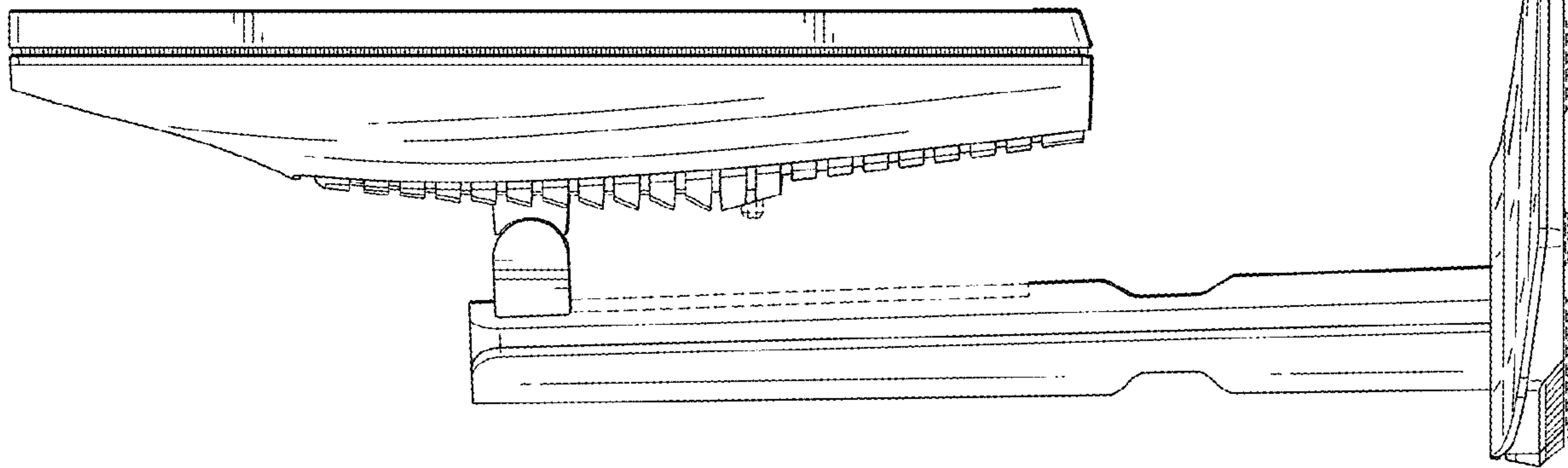


FIG. 5

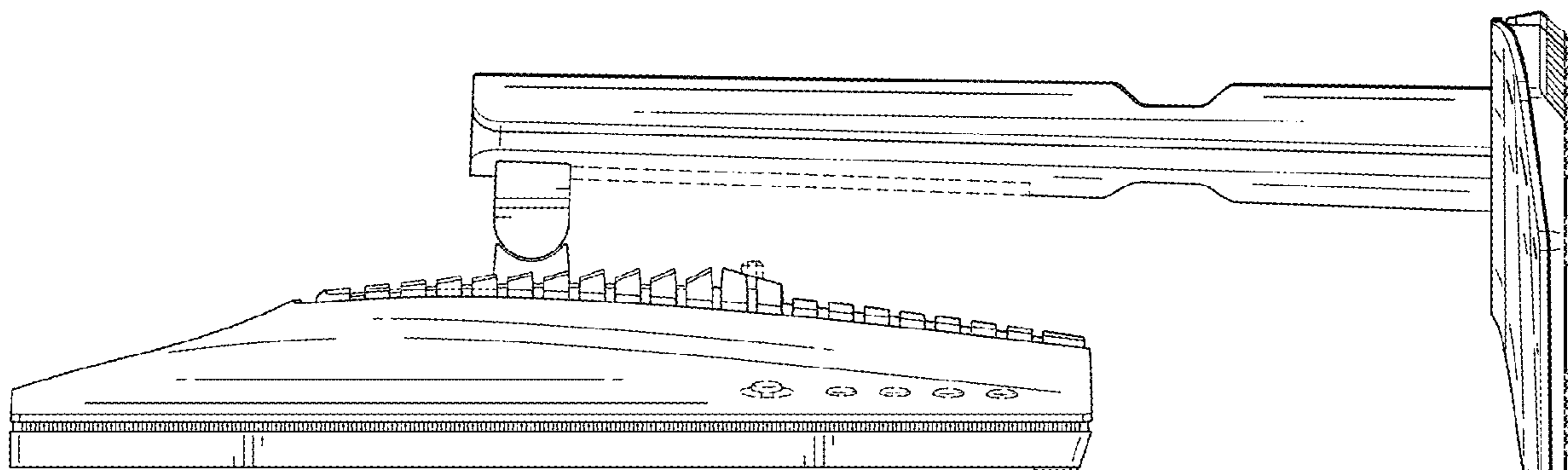


FIG. 4

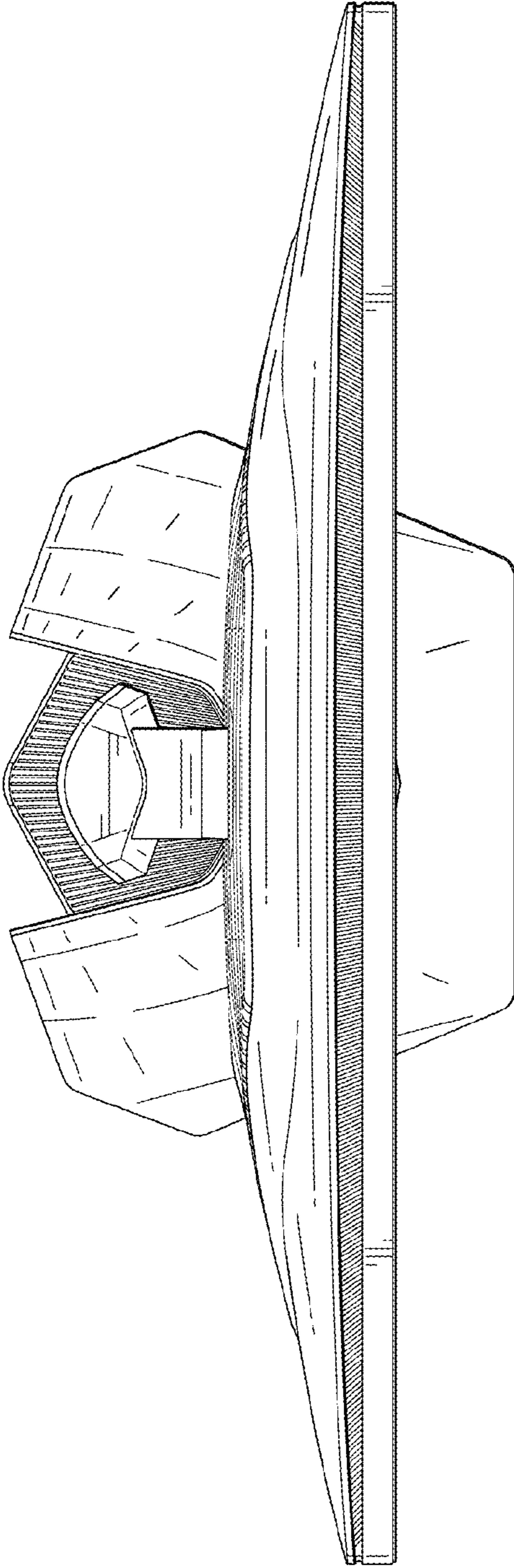


FIG. 6

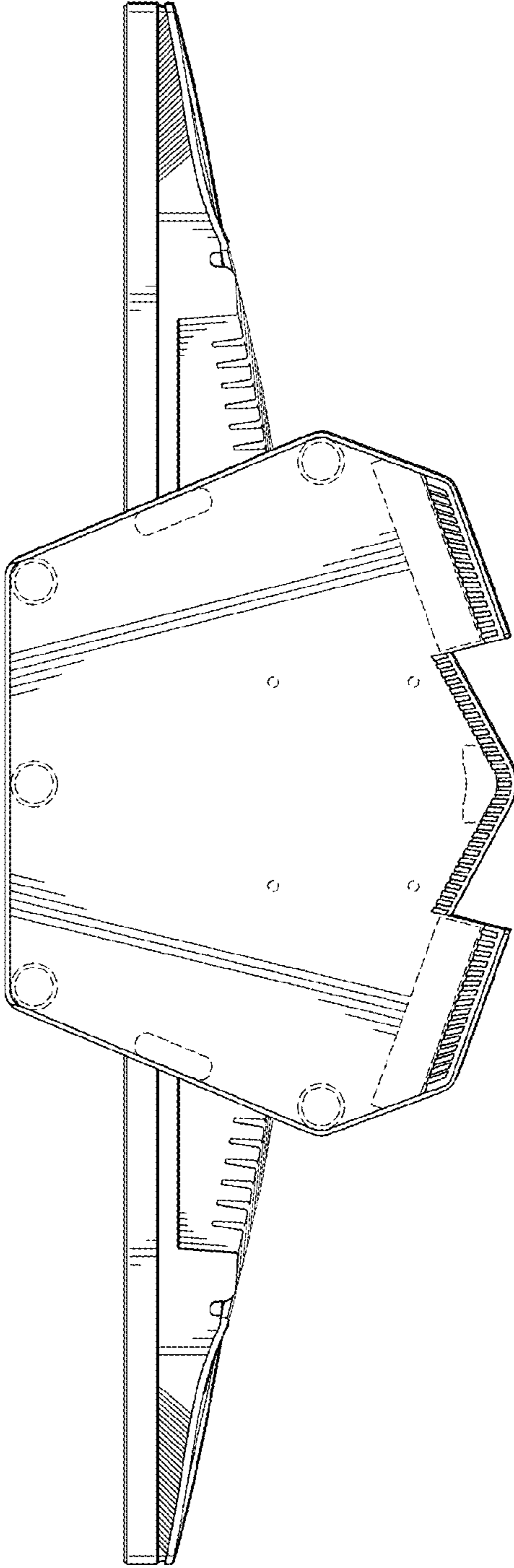


FIG. 7

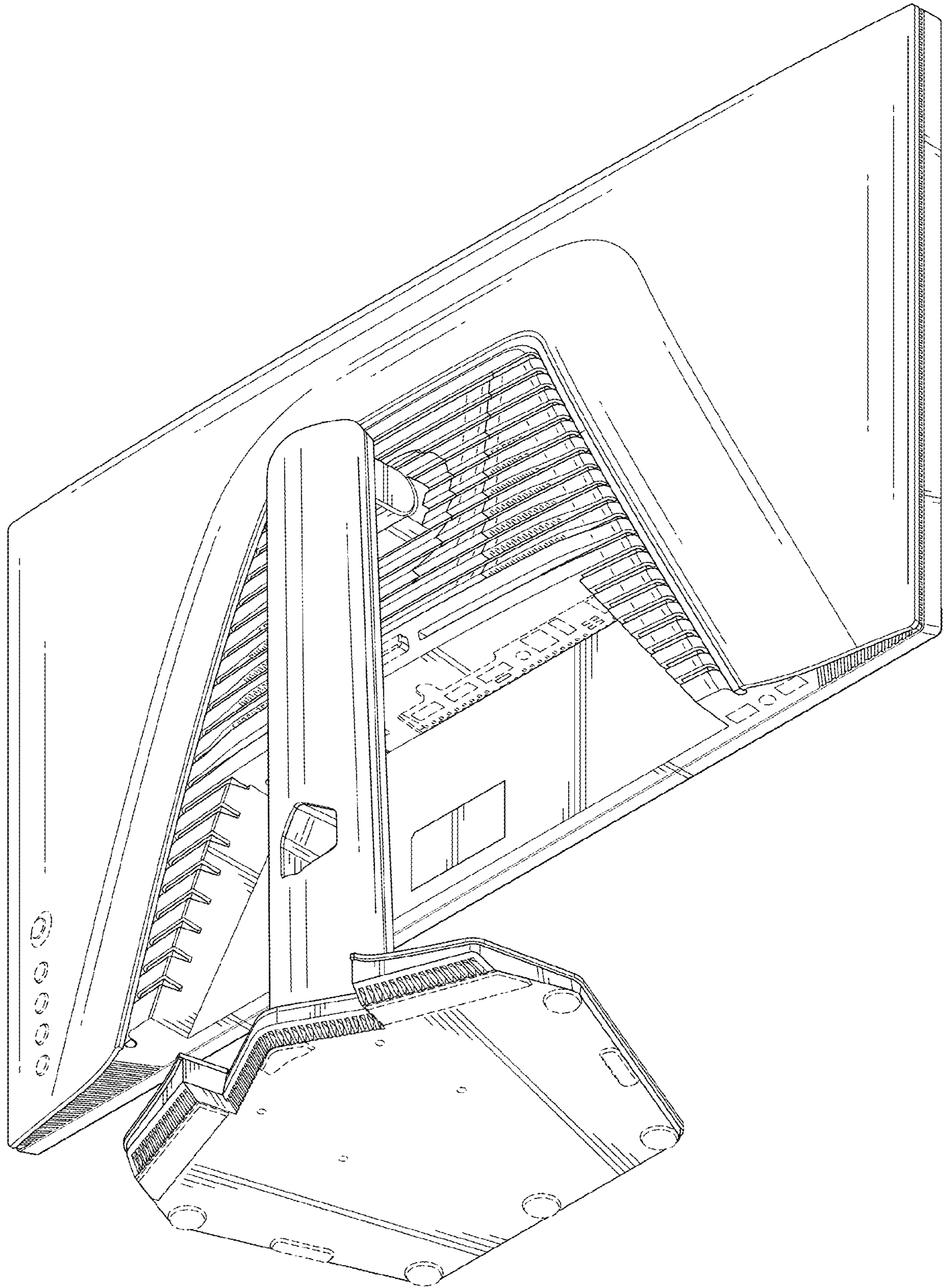


FIG. 8