



US00D968398S

(12) **United States Design Patent** (10) **Patent No.:** **US D968,398 S**
Etemad-Moghadam et al. (45) **Date of Patent:** **** Nov. 1, 2022**

(54) **ELECTRONICS CASE FOR WIRELESS CONTROL MANAGER**

(71) Applicant: **Autani, LLC**, Columbia, MD (US)

(72) Inventors: **Cyrus Etemad-Moghadam**, Fallston, MD (US); **Joseph Shoemaker**, Delta, PA (US)

(73) Assignee: **Autani, LLC**, Columbia, MD (US)

(**) Term: **15 Years**

(21) Appl. No.: **29/754,625**

(22) Filed: **Oct. 13, 2020**

(51) **LOC (13) Cl.** **14-02**

(52) **U.S. Cl.**
USPC **D14/356**

(58) **Field of Classification Search**
USPC ... D14/140.1, 240, 242, 125, 140, 142, 155, D14/167, 168, 172, 188, 195, 299, 496, D14/197, 198, 230, 348, 351, 356, 357, D14/358, 388; D13/110, 123, 152, 158, D13/162, 162.1, 163, 168, 184, 199, 108, D13/179; D10/104.1, 106.1, 106.6, D10/116.1, 61, 64, 75, 106.9
CPC ... H04W 88/00; H04W 88/005; H04W 88/02; H04W 88/08; H04W 88/085; H04W 88/10; H04W 88/12; H04W 88/14; H04W 88/16; H04W 88/18; H04W 4/00; H01Q 1/02; H01Q 1/2291; H01Q 1/246; H04B 1/38

See application file for complete search history.

(56) **References Cited**

U.S. PATENT DOCUMENTS

D380,199 S	*	6/1997	Beruscha	D14/125
D487,728 S	*	3/2004	Murray	D13/162
D508,469 S	*	8/2005	Hahn	D13/184
D509,824 S	*	9/2005	Storti	D14/240
D520,500 S	*	5/2006	Storti	D14/240
D562,813 S	*	2/2008	Storti	D14/240

(Continued)

OTHER PUBLICATIONS

Autani Manager Core Datasheet, (online PDF) 4 pgs. REV 20200805. [Retrieved Jun. 2, 2022] file:///C:/Users/mfasthorse/Downloads/AUTANI_MANAGER-CORE%20Datasheet.pdf.*

(Continued)

Primary Examiner — Marie D. Fast Horse

(74) *Attorney, Agent, or Firm* — Luedeka Neely Group, P.C

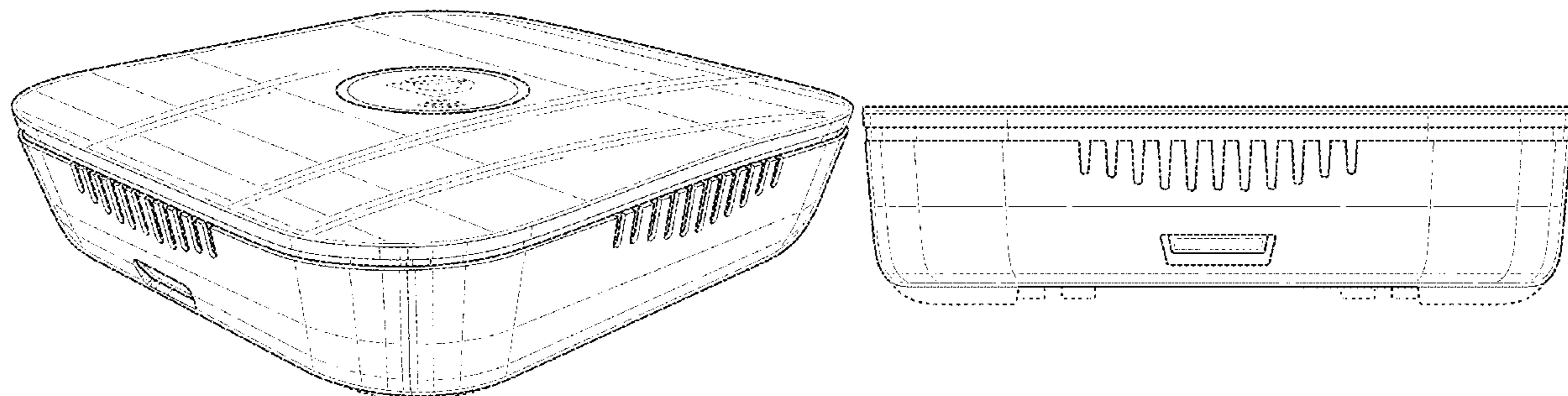
(57) **CLAIM**

The ornamental design of an electronics case for wireless control manager, as shown and described.

DESCRIPTION

FIG. 1 is a perspective view of the electronics case for wireless control manager viewed from above at an angle of about thirty degrees from horizontal; FIG. 2 is a perspective view of the electronics case for wireless control manager viewed from above at an angle of about forty-five degrees from horizontal; FIG. 3 is a top view of the electronics case for wireless control manager; FIG. 4 is a bottom view of the electronics case for wireless control manager; FIG. 5 is a front side view of the electronics case for wireless control manager; FIG. 6 is a rear side view of the electronics case for wireless control manager; FIG. 7 is a right side view of the electronics case for wireless control manager; and, FIG. 8 is a left side view of the electronics case for wireless control manager. The uniformly dashed broken lines in the drawings depict portions of the electronics case for wireless control manager that form no part of the claimed design.

1 Claim, 6 Drawing Sheets



(56)

References Cited

U.S. PATENT DOCUMENTS

D585,395 S * 1/2009 Cho D14/125
 D594,877 S * 6/2009 Iino D14/502
 D626,099 S * 10/2010 Huang D14/125
 D640,692 S * 6/2011 Waisman-Diamond D14/240
 D647,896 S * 11/2011 Chen D14/314
 D649,945 S * 12/2011 Kim D14/125
 D654,885 S * 2/2012 Isaias D14/125
 D654,917 S * 2/2012 Chaturvedi D14/358
 D687,817 S * 8/2013 Petersen D14/240
 D695,727 S * 12/2013 Shimizu D14/240
 D704,627 S * 5/2014 Huang D13/107
 D705,224 S * 5/2014 Govindasamy D14/356
 D707,212 S * 6/2014 Lim D14/242
 D711,359 S * 8/2014 Marzynski D14/240
 D714,753 S * 10/2014 Lee D14/140
 D715,228 S * 10/2014 Lee D13/168
 D729,216 S * 5/2015 Peng D14/240
 D731,470 S * 6/2015 Terasawa D14/240
 D732,512 S * 6/2015 Fariello D14/230
 D737,786 S * 9/2015 Loretan D14/125
 D740,262 S * 10/2015 Hasegawa D14/240
 D744,483 S * 12/2015 Barbu D14/358
 D752,529 S * 3/2016 Loretan D14/125
 D753,639 S * 4/2016 Marzynski D14/240
 D762,215 S * 7/2016 Luttrell D14/388
 D765,066 S * 8/2016 Cowles D14/240
 D766,193 S * 9/2016 Desagre D13/168
 D768,607 S * 10/2016 Altonen D14/240
 D773,949 S * 12/2016 Bolger D10/106.2
 D776,656 S * 1/2017 Lagerstedt D14/240
 D776,657 S * 1/2017 Lagerstedt D14/240
 D778,889 S * 2/2017 Nagao D14/240
 D781,797 S * 3/2017 Moon D14/125
 D782,429 S * 3/2017 Xianda D14/125
 D785,608 S * 5/2017 Weaver D14/240
 D809,493 S * 2/2018 Konotopskyi D14/242
 D811,352 S * 2/2018 Lee D13/171
 D813,212 S * 3/2018 Nangeroni D14/240
 D816,070 S * 4/2018 Marzynski D14/240
 D820,244 S * 6/2018 Cowles D14/239

D822,717 S * 7/2018 Lim G06F 17/00
 D14/496
 D828,342 S * 9/2018 Chen D14/240
 D828,816 S * 9/2018 Spors D13/162
 D830,869 S * 10/2018 Siminoff D10/106.1
 D831,585 S * 10/2018 Lee D13/162
 D831,590 S * 10/2018 Lee D13/177
 D835,085 S * 12/2018 Burmeister-Brown D14/240
 D836,569 S * 12/2018 Kim D14/240
 D844,570 S * 4/2019 Kornacki D13/162
 D876,411 S * 2/2020 Lim D14/240
 D876,440 S * 2/2020 Nangeroni D14/433
 D895,560 S * 9/2020 Matthews D13/184
 D908,099 S * 1/2021 Kornacki D13/162
 D928,784 S * 8/2021 Lee D14/358
 D949,803 S * 4/2022 Kornacki D13/162
 D952,620 S * 5/2022 Lee D14/242

OTHER PUBLICATIONS

Philips Hue Smart Hub. (online) 5 pgs. Posted Dec. 22, 2015. [Retrieved Jun. 2, 2022] <https://www.amazon.com/Philips-Hue-Stand-Alone-Bridge/dp/B016H0QZ7I?th=1>.*

Smart Gateways and routers. (Design—© Questel) orbit.com. [online PDF of Foreign references] 37 pgs. Print Dates Range Jun. 12, 2015 through Jun. 12, 2020 [Retrieved Jun. 2, 2022] <https://www.orbit.com/export/QPTUJ214/pdf2/a4b749b6-1c7c-4e01-8e16-23fdce75def-234223.pdf>.*

Autani Corporation; Autani Automating Green; Autani Manager Quick Installation Sheet; Copyright Autani Corporation (2006-2013. Document 80121; Mar. 2013. (2 pages).
 Photographs of an electronic case 2; Oct. 12, 2020 (at least as early as). (1 page).
 Photographs of an electronics case; Oct. 12, 2020 (at least as early as) (1 page).
 Photographs of devices that were in existence and and known to the inventors before the creation of the current invention, but the devices may not be relevant or analogous art; Oct. 12, 2020 (at least as early as)(2 pages).
 Photographs of devices that were in existence before the creation of the current invention and known to the inventors, but the devices may not be analogous or relevant art; Oct. 12, 2020 (at least as early as).

* cited by examiner

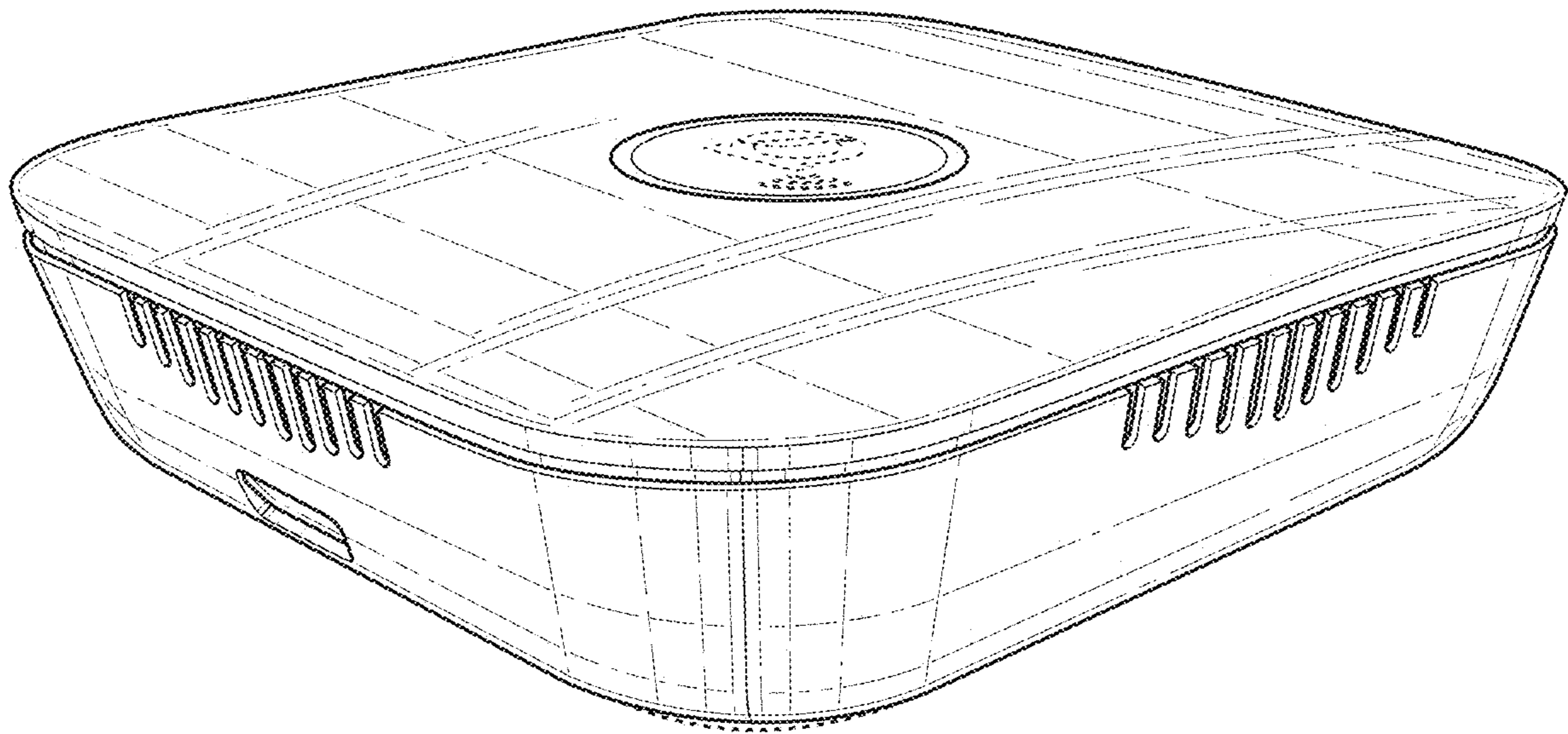


FIG. 1

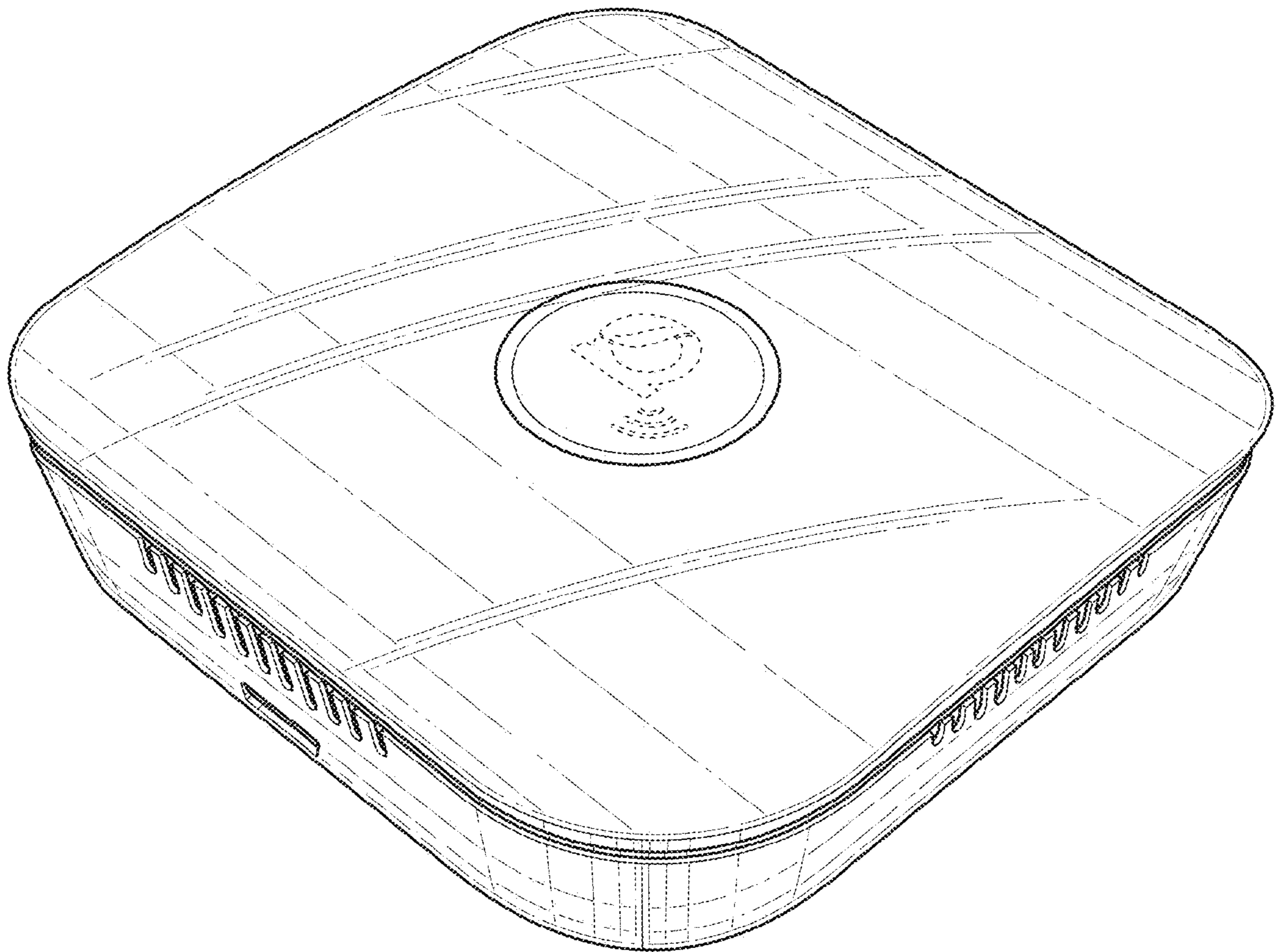


FIG. 2

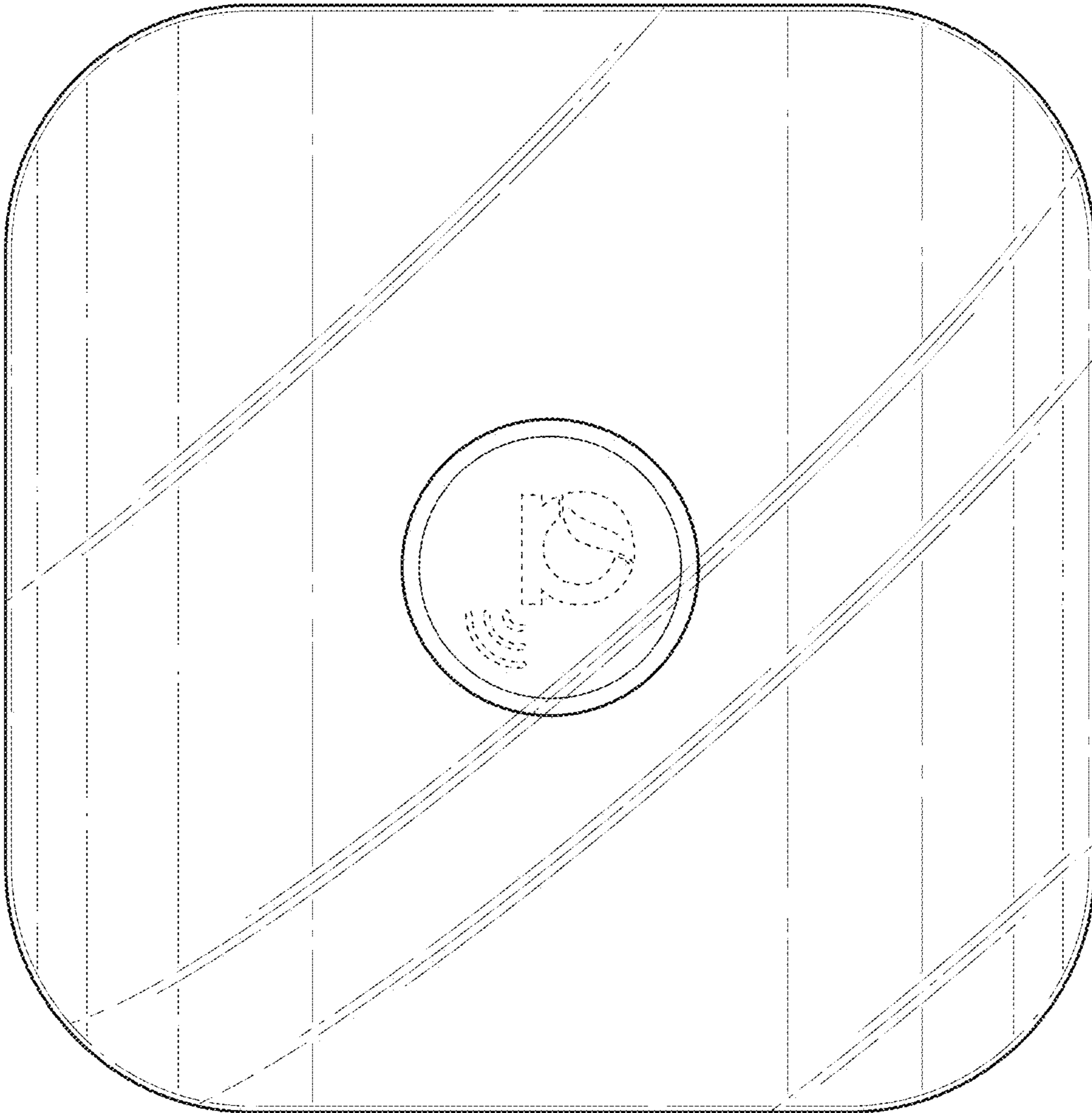


FIG. 3

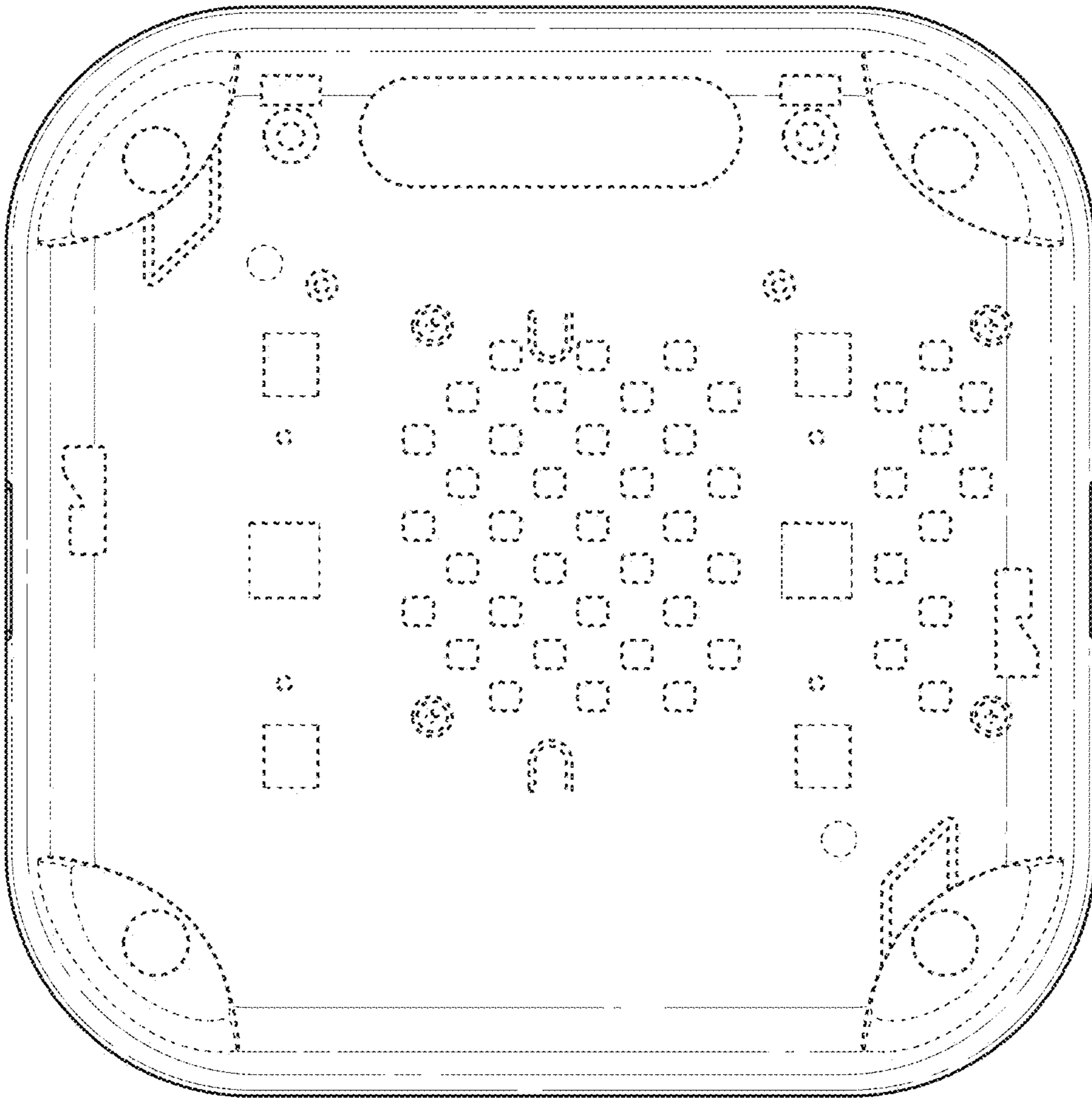


FIG. 4

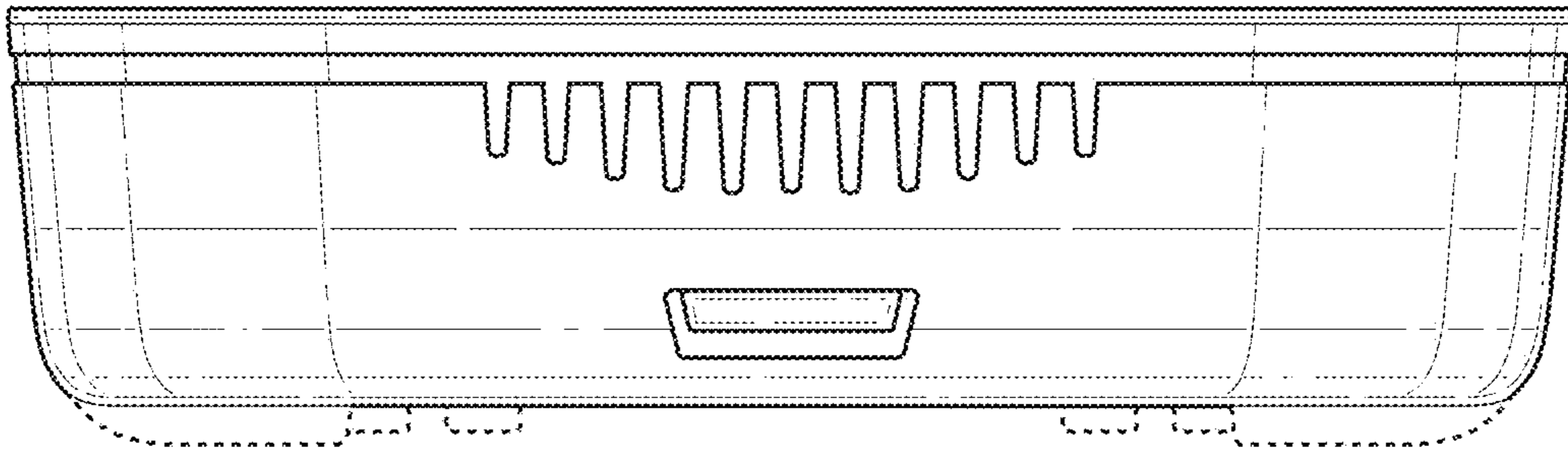


FIG. 5

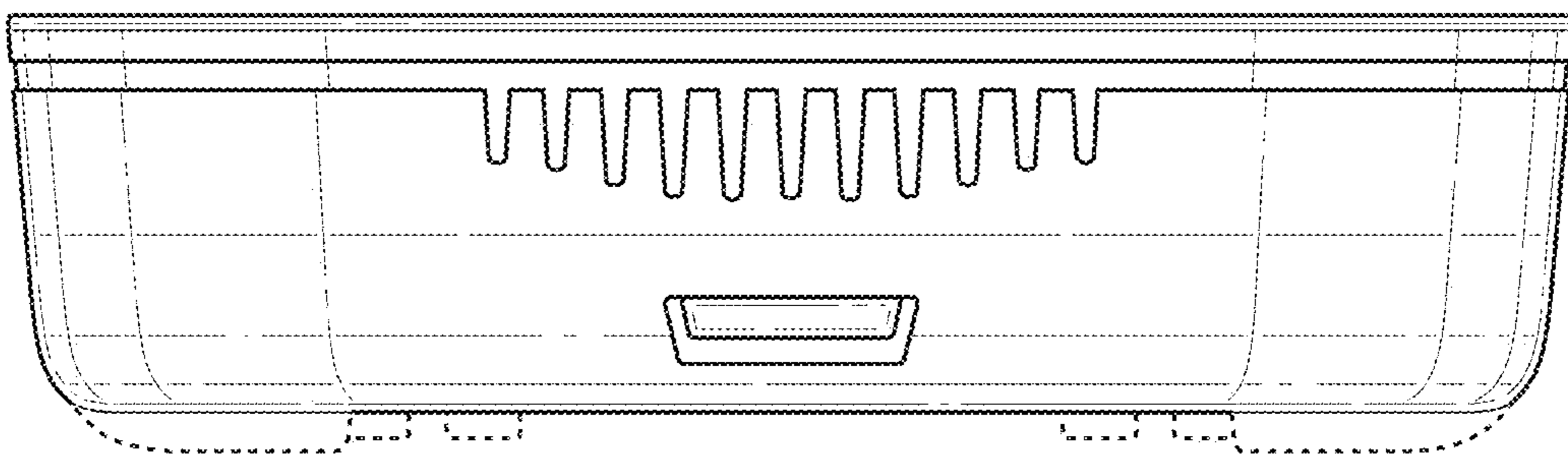


FIG. 6

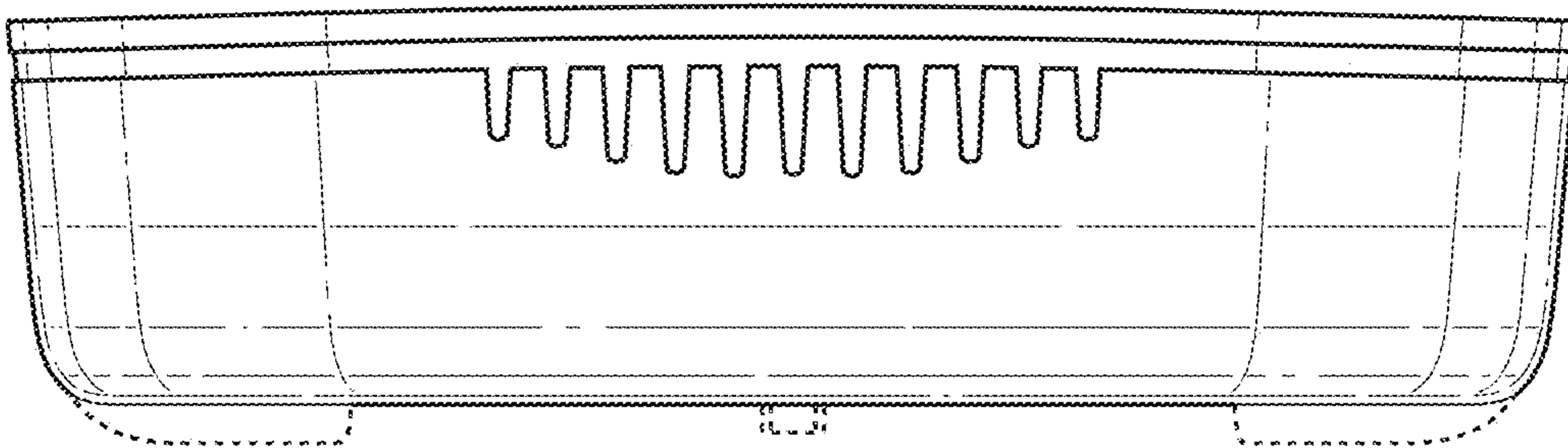


FIG. 7

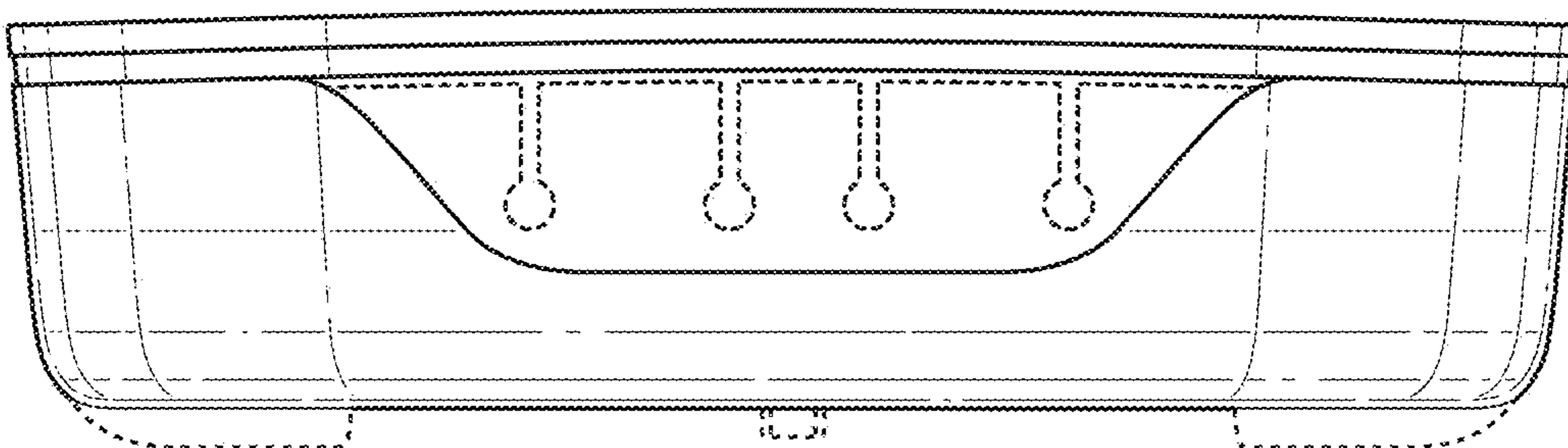


FIG. 8