

US00D968397S

(12) **United States Design Patent** (10) **Patent No.:** **US D968,397 S**
Azuma et al. (45) **Date of Patent:** **** *Nov. 1, 2022**

(54) **PORTABLE COMPUTER**

(71) Applicant: **Panasonic Intellectual Property Management Co., Ltd.**, Osaka (JP)

(72) Inventors: **Toru Azuma**, Tokyo (JP); **Taichiro Ishii**, Kanagawa (JP)

(73) Assignee: **PANASONIC INTELLECTUAL PROPERTY MANAGEMENT CO., LTD.**, Osaka (JP)

(*) Notice: This patent is subject to a terminal disclaimer.

(**) Term: **15 Years**

(21) Appl. No.: **29/736,228**

(22) Filed: **May 28, 2020**

(30) **Foreign Application Priority Data**

Dec. 13, 2019 (JP) 2019-027676

(51) **LOC (13) Cl.** **14-02**

(52) **U.S. Cl.**
USPC **D14/342**

(58) **Field of Classification Search**
USPC D14/341, 342, 343, 344, 345, 346, 347;
D10/50, 65

(Continued)

(56) **References Cited**

U.S. PATENT DOCUMENTS

D397,679 S * 9/1998 Hawkins D14/342
6,388,877 B1 * 5/2002 Canova, Jr. G06F 1/1698
361/679.56

(Continued)

FOREIGN PATENT DOCUMENTS

CN 304473083 * 1/2018
CN 304572107 * 4/2018

(Continued)

OTHER PUBLICATIONS

Munbyn, first available Jun. 5, 2021 [online], [retrieved Apr. 29, 2022]. Available from the Internet, URL:<https://www.amazon.com/dp/B09CDR6X1C/ref=cm_sw_em_r_mt_dp_MV7D5BT5AGEG13SWNGA9?_encoding=UTF8&psc=1>. (Year: 2021).*

(Continued)

Primary Examiner — Shawn T Gingrich

Assistant Examiner — Russell Carnell Smith, Jr.

(74) *Attorney, Agent, or Firm* — Crowell & Moring LLP

(57) **CLAIM**

We claim the ornamental design for a portable computer, as shown and described.

DESCRIPTION

FIG. 1 is a rear perspective view of a portable computer of the invention;

FIG. 2 is a front view thereof;

FIG. 3 is a rear view thereof;

FIG. 4 is a left side view thereof;

FIG. 5 is a right side view thereof;

FIG. 6 is a top plan view thereof;

FIG. 7 is a bottom view thereof;

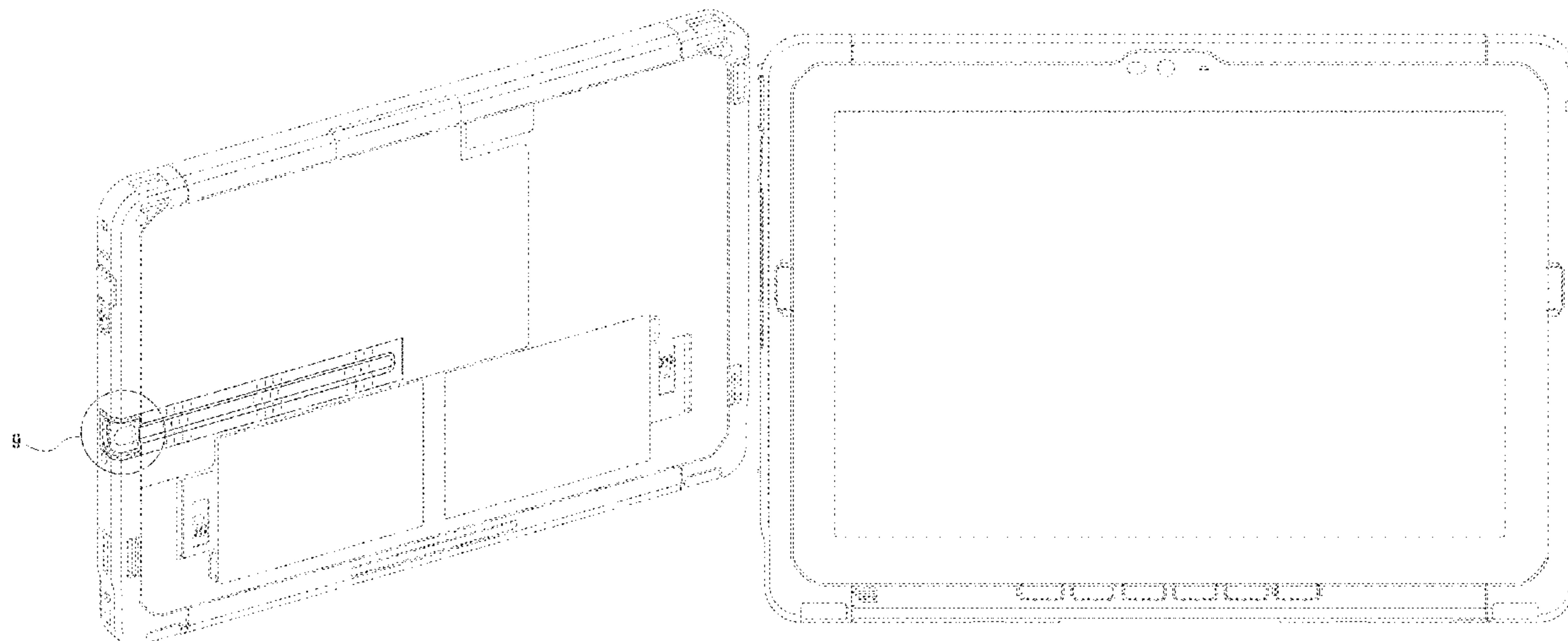
FIG. 8 is a rear perspective view thereof in an environmental use;

FIG. 9 is an enlarged view of the area defined by circle 9 of FIG. 1; and,

FIG. 10 is an enlarged view of the area defined by circle 10 of FIG. 8.

The evenly-dashed broken lines depict portions of the portable computer that form no part of the claimed design. The dot-dash broken lines that bound shaded areas of the portable computer and are adjacent to unshaded areas depict boundaries to the claimed design and form no part thereof. The dot-dash broken lines encircling portions of the portable computer in FIGS. 1 and 8 and illustrated in enlarged views in FIGS. 9 and 10 form no part of the claimed design.

1 Claim, 10 Drawing Sheets



(58) **Field of Classification Search**

CPC .. H04M 1/027; H04M 1/0202; H04M 1/0279;
 H04M 1/0235; H04M 1/0237; H04M
 1/0239; H04M 1/0266; H04M 1/0268;
 H04M 1/0295; G06F 1/1641; G06F
 1/1647; G06F 1/1652

See application file for complete search history.

FOREIGN PATENT DOCUMENTS

CN	304613335	*	5/2018
CN	304635081	*	5/2018
CN	304737264	*	7/2018

OTHER PUBLICATIONS

(56) **References Cited**

U.S. PATENT DOCUMENTS

6,741,472	B1 *	5/2004	Barth	G06F 1/1626 361/725
D696,664	S	12/2013	Iida et al.	
D710,351	S *	8/2014	Park	D14/341
D721,075	S *	1/2015	Toda	D14/342
D740,804	S *	10/2015	Hovdal	D14/341
D749,565	S	2/2016	Cho et al.	
D807,349	S	1/2018	Lee	
D808,384	S *	1/2018	Lee	D14/341
D822,016	S *	7/2018	Zhong	D14/341
D882,528	S *	4/2020	Fariello	D13/162
2021/0096596	A1 *	4/2021	Cheng	G06F 1/1681

IBBWB, first available Nov. 5, 2021 [online], [retrieved Apr. 29, 2022]. Available from the Internet, URL:<https://www.amazon.com/dp/B09L4PVZH4/ref=cm_sw_em_r_mt_dp_8RKKXQR134HH3CBVMQX5?_encoding=UTF8&psc=1>. (Year: 2021).*

Panasonic Toughbook FZ-A3, first available Jul. 10, 2020 [online], [retrieved Jul. 19, 2022]. Available from the Internet, URL:<<https://www.notebookcheck.net/Panasonic-Toughbook-FZ-A3-Tablet-Review-When-Thin-Meets-Rugged.480547.0.html>>. (Year: 2020).*

Panasonic ToughPad G1, first available Dec. 23, 2019 [online], [retrieved Jul. 19, 2022]. Available from the Internet, URL:<<https://a.co/d/2fA5aJ8>>. (Year: 2019).*

* cited by examiner

FIG. 1

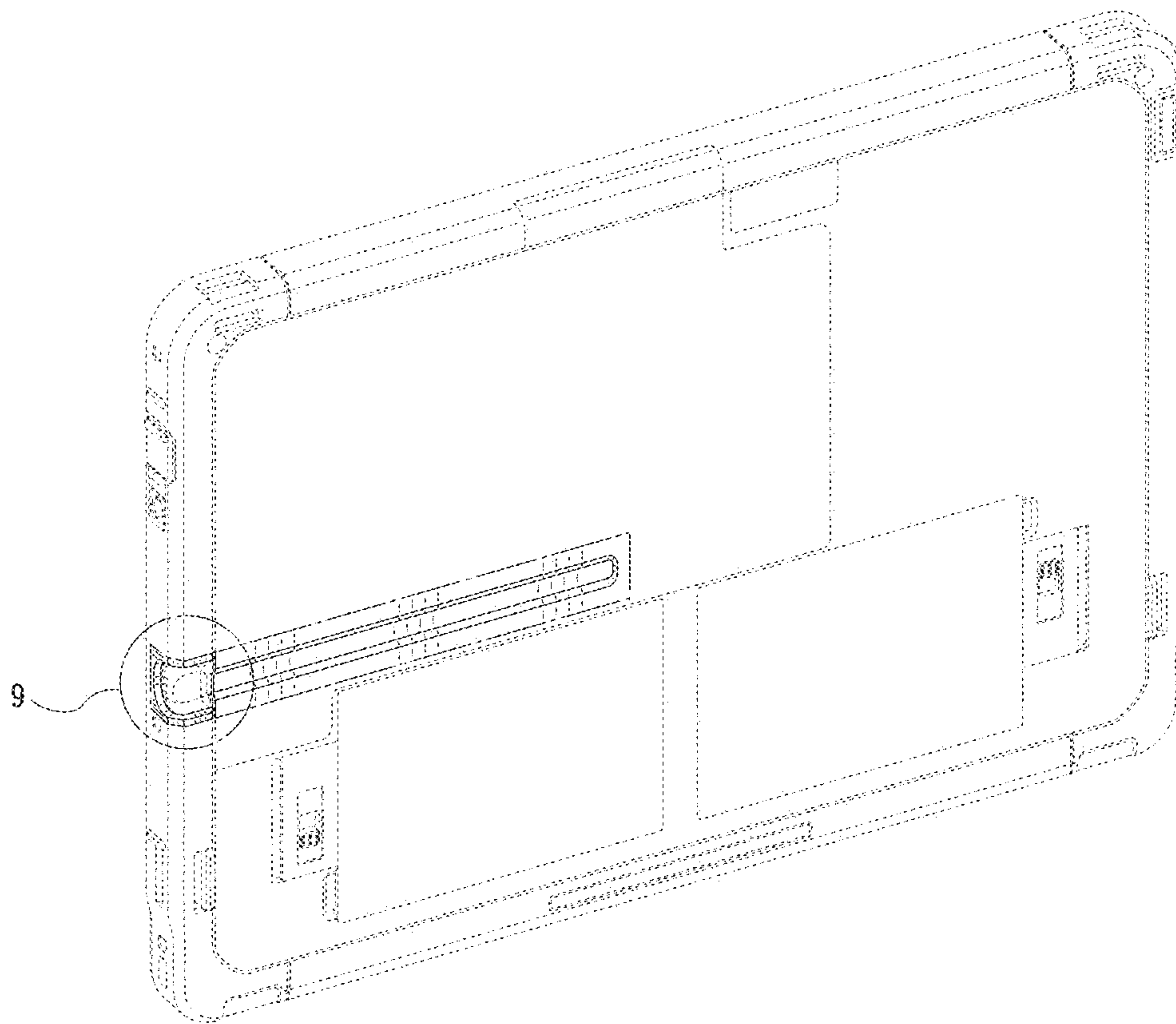


FIG. 2

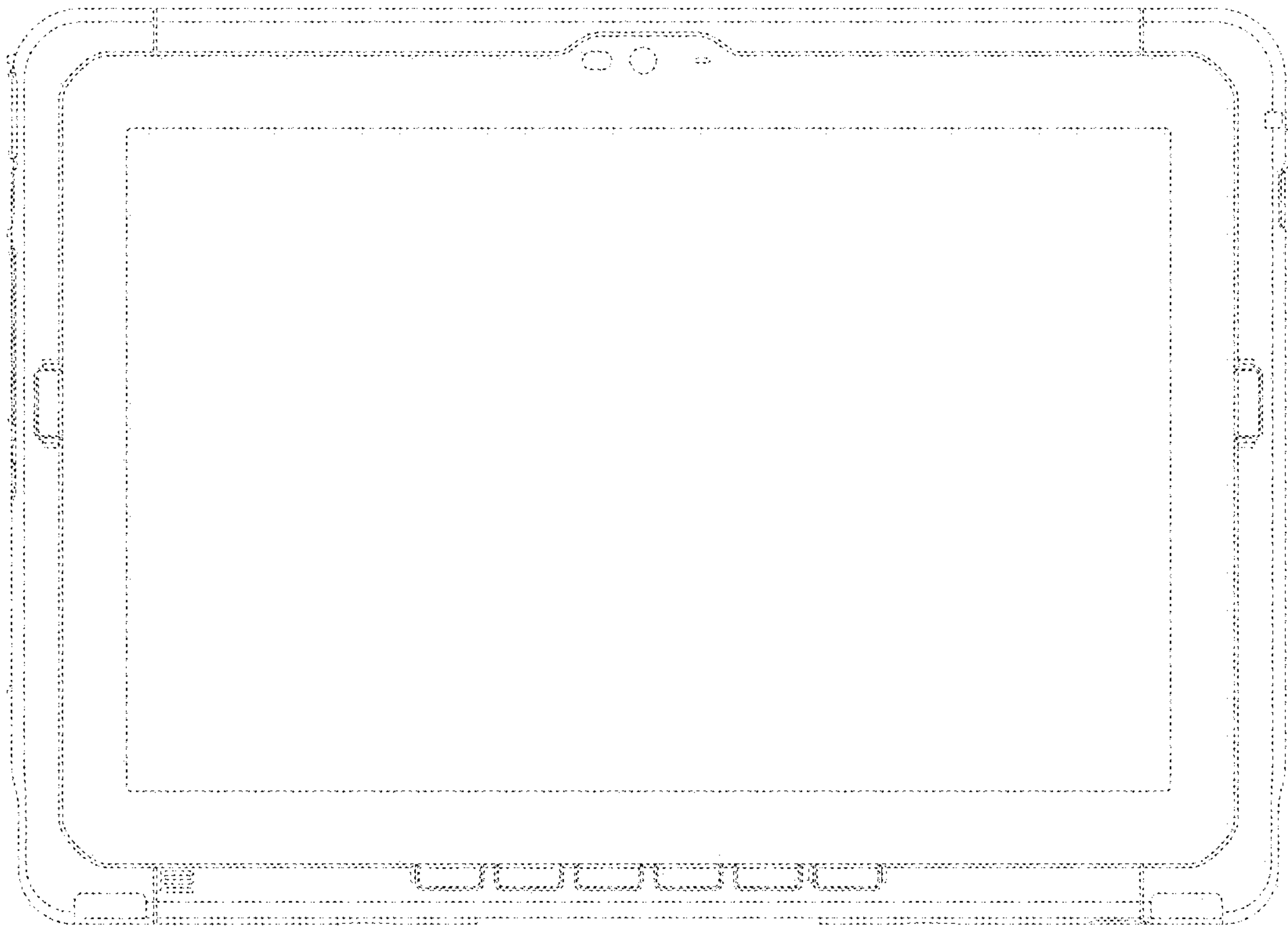


FIG. 3

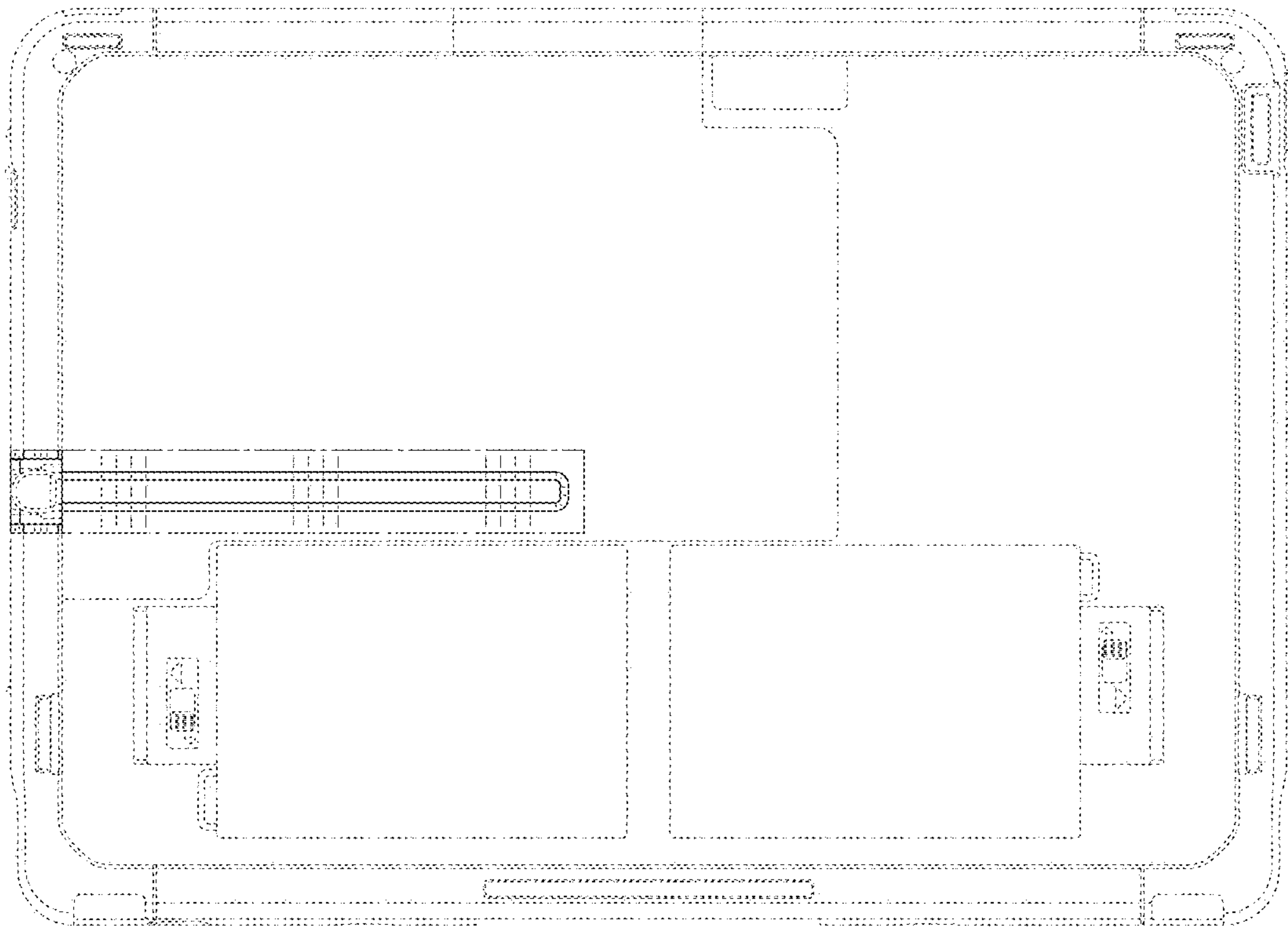


FIG. 4

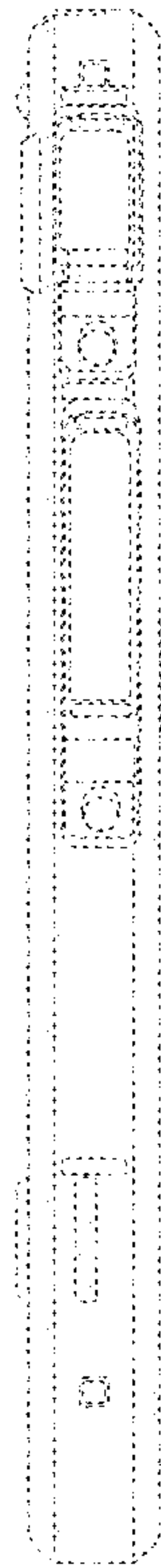


FIG. 5



FIG. 6

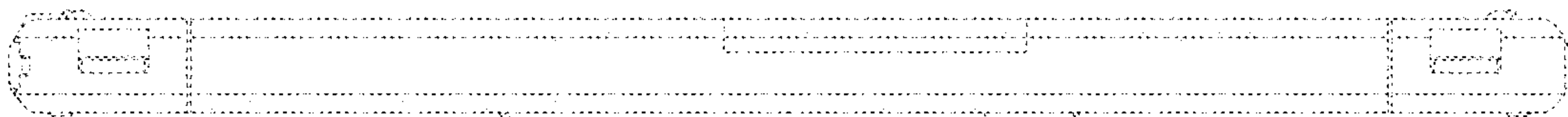


FIG. 7

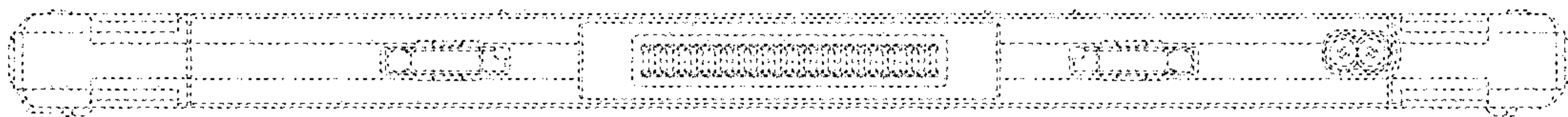


FIG. 8

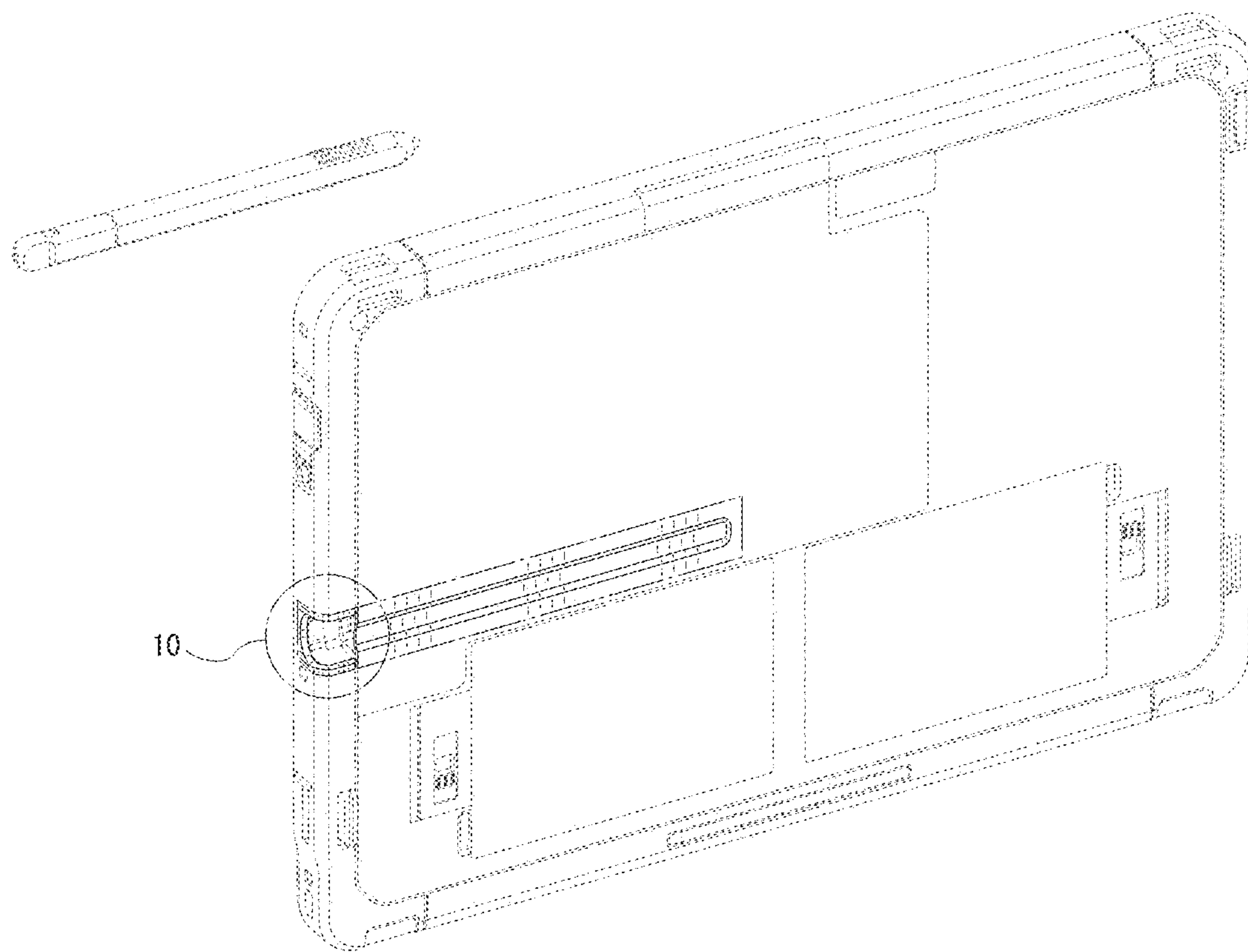


FIG. 9

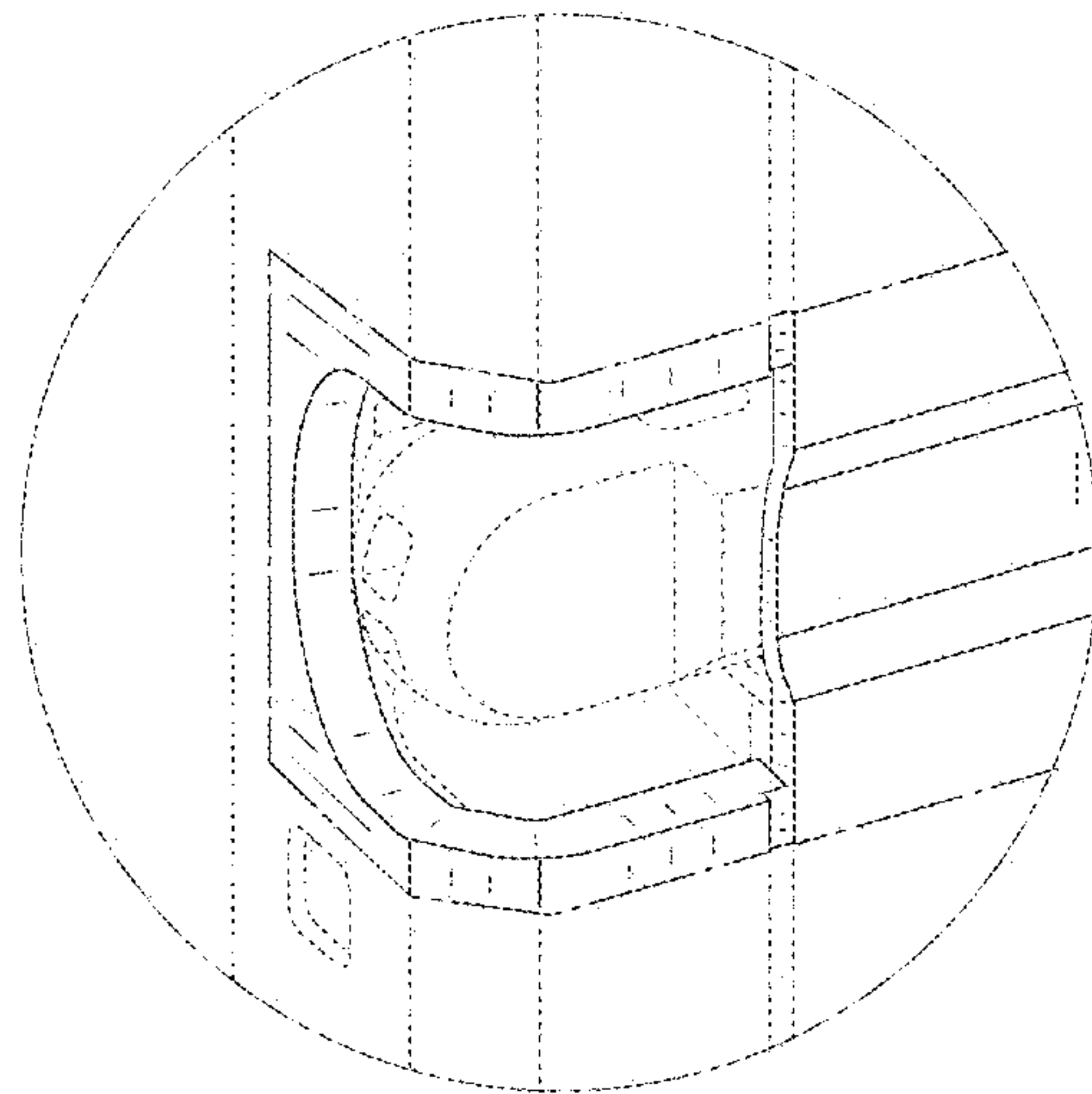


FIG. 10

