



US00D968396S

(12) **United States Design Patent** (10) **Patent No.:** **US D968,396 S**  
**Amaki et al.** (45) **Date of Patent:** **\*\* \*Nov. 1, 2022**

(54) **PORTABLE COMPUTER**

(71) Applicant: **Panasonic Intellectual Property Management Co., Ltd.**, Osaka (JP)

(72) Inventors: **Hidehiko Amaki**, Kanagawa (JP);  
**Akira Nakajima**, Kanagawa (JP);  
**Seiichi Watanabe**, Tokyo (JP)

(73) Assignee: **PANASONIC INTELLECTUAL PROPERTY MANAGEMENT CO., LTD.**, Osaka (JP)

(\*) Notice: This patent is subject to a terminal disclaimer.

(\*\*) Term: **15 Years**

(21) Appl. No.: **29/736,223**

(22) Filed: **May 28, 2020**

(30) **Foreign Application Priority Data**

Dec. 13, 2019 (JP) ..... 2019-027674

(51) **LOC (13) Cl.** ..... **14-02**

(52) **U.S. Cl.**  
USPC ..... **D14/342**

(58) **Field of Classification Search**  
USPC ..... D14/341, 342, 343, 344, 345, 346, 347;  
D10/50, 65

(Continued)

(56) **References Cited**

**U.S. PATENT DOCUMENTS**

D397,679 S \* 9/1998 Hawkins ..... D14/342  
6,388,877 B1 \* 5/2002 Canova, Jr. .... G06F 1/1698  
361/679.56

(Continued)

**FOREIGN PATENT DOCUMENTS**

CN 304473083 \* 1/2018  
CN 304572107 \* 4/2018

(Continued)

**OTHER PUBLICATIONS**

Munbyn, first available Jun. 5, 2021 [online], [retrieved Apr. 29, 2022]. Available from the Internet, URL:<https://www.amazon.com/dp/B09CDR6X1C/ref=cm\_sw\_em\_r\_mt\_dp\_MV7D5BT5AGEG13SWNGA9?\_encoding=UTF8&psc=1>. (Year: 2021).\*

(Continued)

*Primary Examiner* — Shawn T Gingrich

*Assistant Examiner* — Russell Carnell Smith, Jr.

(74) *Attorney, Agent, or Firm* — Crowell & Moring LLP

(57) **CLAIM**

We claim the ornamental design for a portable computer, as shown and described.

**DESCRIPTION**

FIG. 1 is a rear perspective view of a portable computer of the invention;

FIG. 2 is a front view thereof;

FIG. 3 is a rear view thereof;

FIG. 4 is a left side view thereof;

FIG. 5 is a right side view thereof;

FIG. 6 is a top plan view thereof;

FIG. 7 is a bottom view thereof;

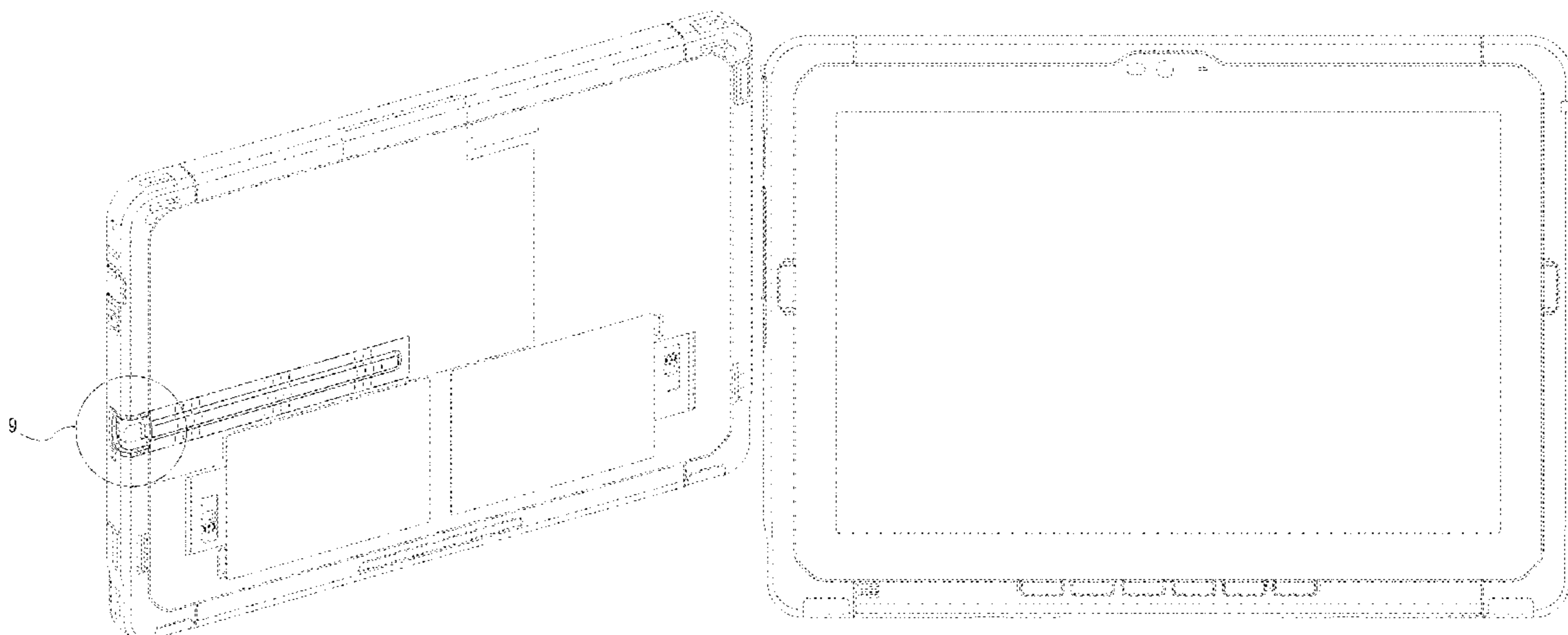
FIG. 8 is a rear perspective view thereof in an environmental use;

FIG. 9 is an enlarged view of the area defined by circle 9 of FIG. 1; and,

FIG. 10 is an enlarged view of the area defined by circle 10 of FIG. 8.

The evenly-dashed broken lines depict portions of the portable computer that form no part of the claimed design. The dot-dash broken lines that bound shaded areas of the portable computer and are adjacent to unshaded areas depict boundaries to the claimed design and form no part thereof. The dot-dash broken lines encircling portions of the portable computer in FIGS. 1 and 8 and illustrated in enlarged views in FIGS. 9 and 10 form no part of the claimed design.

**1 Claim, 10 Drawing Sheets**



(58) **Field of Classification Search**

CPC .. H04M 1/027; H04M 1/0202; H04M 1/0279;  
 H04M 1/0235; H04M 1/0237; H04M  
 1/0239; H04M 1/0266; H04M 1/0268;  
 H04M 1/0295; G06F 1/1641; G06F  
 1/1647; G06F 1/1652

See application file for complete search history.

FOREIGN PATENT DOCUMENTS

CN	304613335	*	5/2018
CN	304635081	*	5/2018
CN	304737264	*	7/2018

OTHER PUBLICATIONS

(56) **References Cited**

U.S. PATENT DOCUMENTS

6,741,472	B1 *	5/2004	Barth .....	G06F 1/1626 361/725
D696,664	S	12/2013	Iida et al.	
D710,351	S *	8/2014	Park .....	D14/341
D721,075	S *	1/2015	Toda .....	D14/342
D740,804	S *	10/2015	Hovdal .....	D14/341
D749,565	S	2/2016	Cho et al.	
D807,349	S	1/2018	Lee	
D808,384	S *	1/2018	Lee .....	D14/341
D822,016	S *	7/2018	Zhong .....	D14/341
D882,528	S *	4/2020	Fariello .....	D13/162
2021/0096596	A1 *	4/2021	Cheng .....	G06F 1/1681

IBBWB, first available Nov. 5, 2021 [online], [retrieved Apr. 29, 2022]. Available from the Internet, URL:<[https://www.amazon.com/dp/B09L4PVZH4/ref=cm\\_sw\\_em\\_r\\_mt\\_dp\\_8RKKXQR134HH3CBVMQX5?\\_encoding=UTF8&psc=1](https://www.amazon.com/dp/B09L4PVZH4/ref=cm_sw_em_r_mt_dp_8RKKXQR134HH3CBVMQX5?_encoding=UTF8&psc=1)>. (Year: 2021).\*

Panasonic Toughbook FZ-A3, first available Jul. 10, 2020 [online], [retrieved Jul. 19, 2022]. Available from the Internet, URL:<<https://www.notebookcheck.net/Panasonic-Toughbook-FZ-A3-Tablet-Review-When-Thin-Meets-Rugged.480547.0.html>>. (Year: 2020).\*

Panasonic ToughPad G1, first available Dec. 23, 2019 [online], [retrieved Jul. 19, 2022]. Available from the Internet, URL:<<https://a.co/d/2fA5aJ8>>. (Year: 2019).\*

\* cited by examiner

FIG. 1

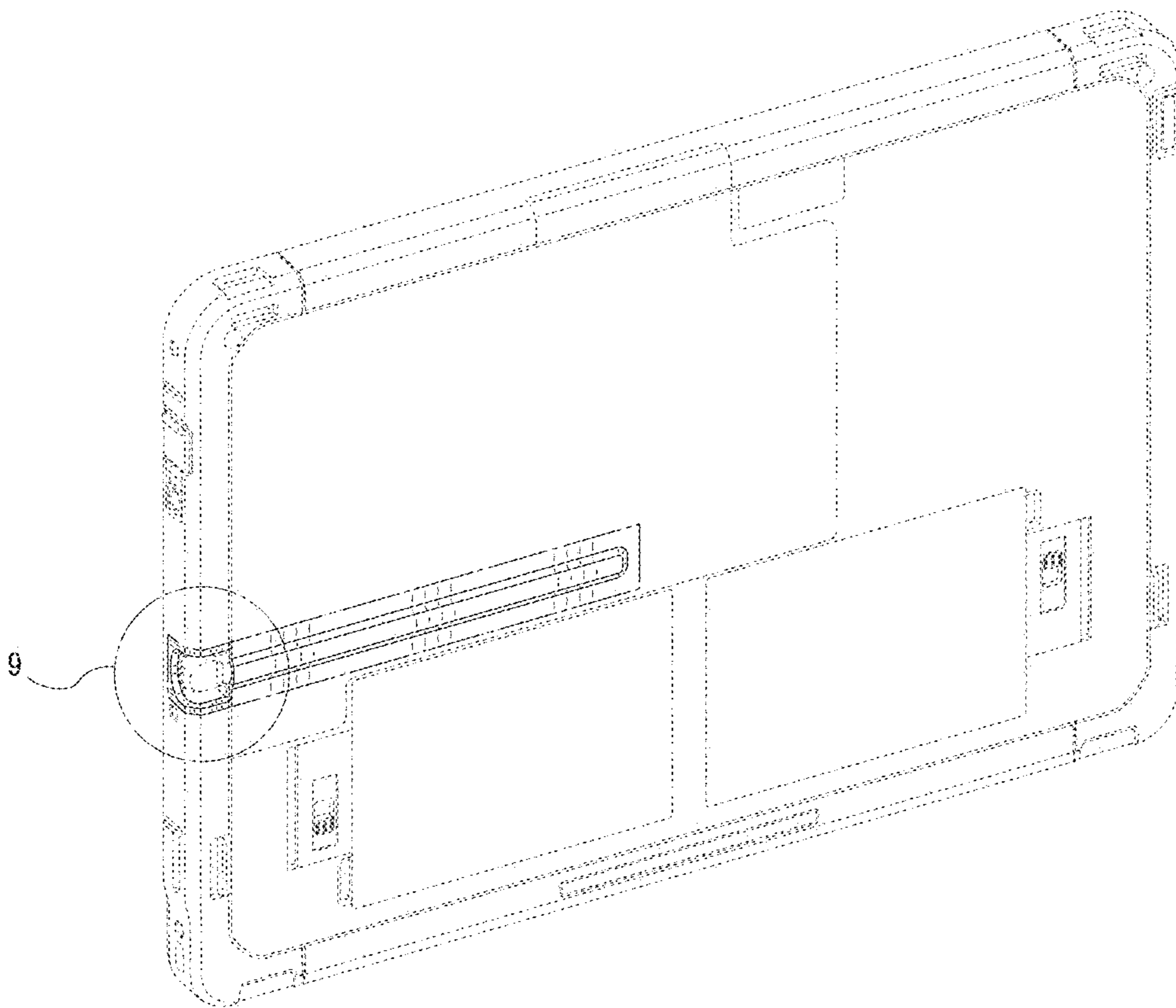


FIG. 2

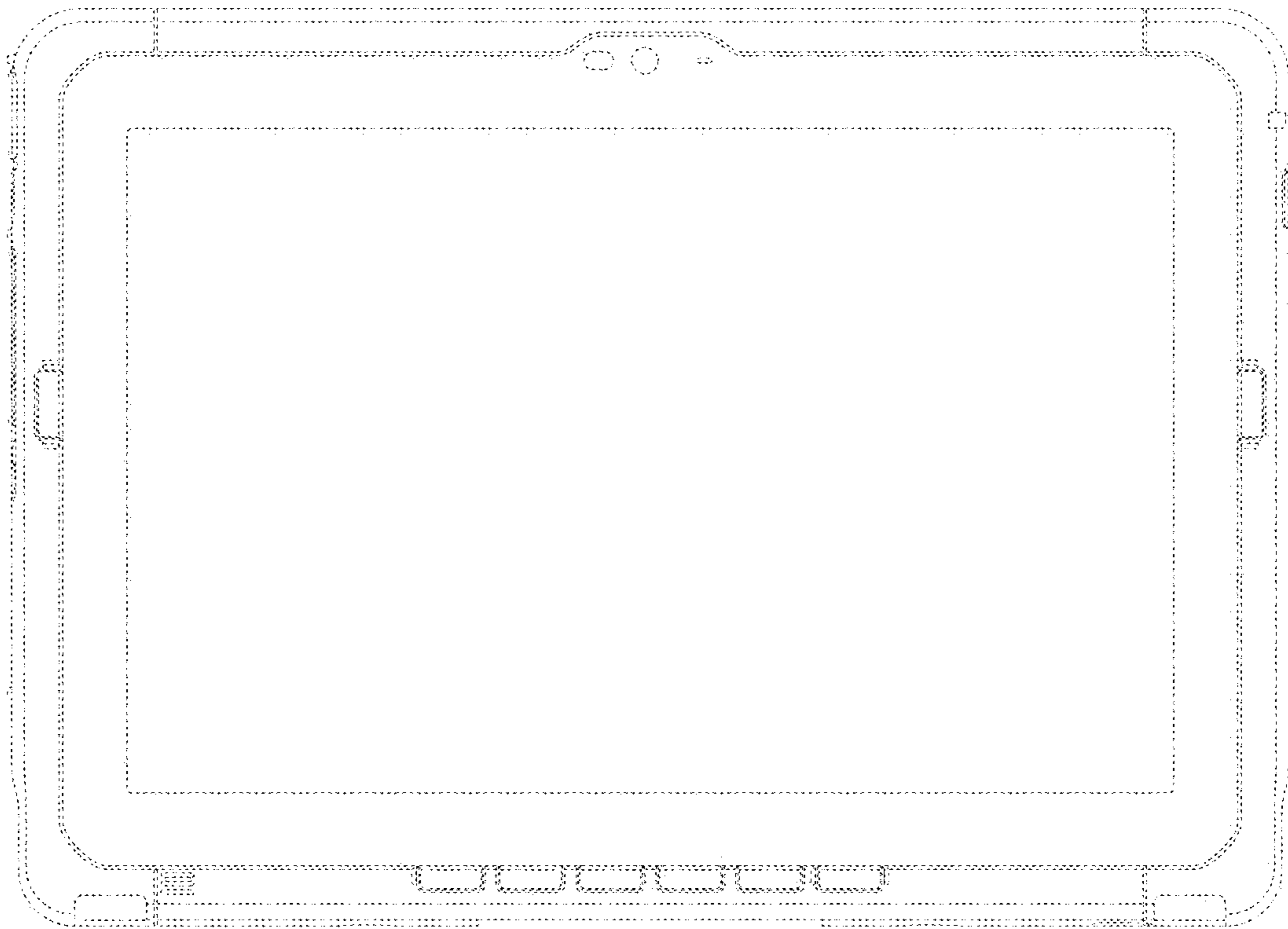


FIG. 3

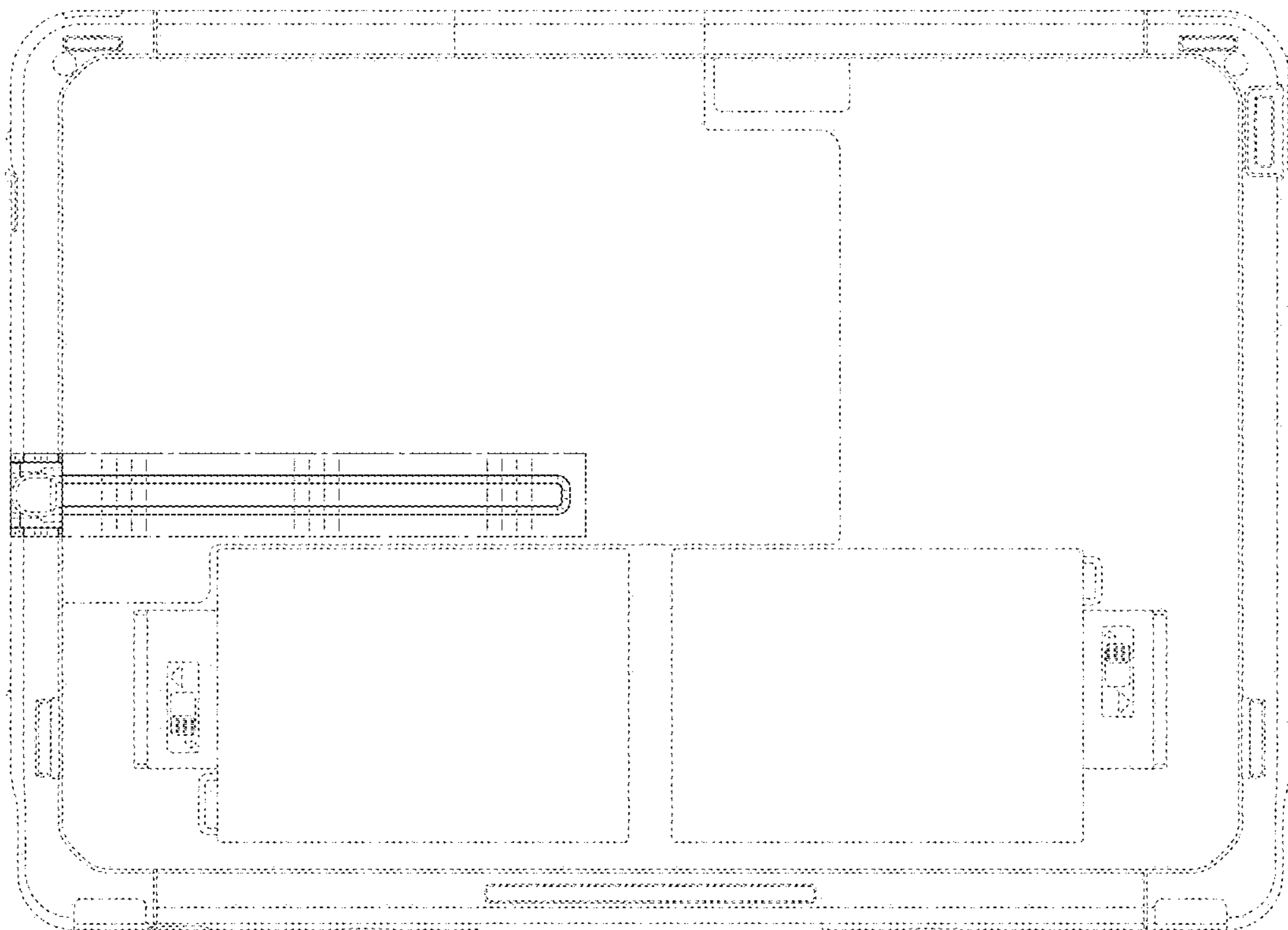


FIG. 4

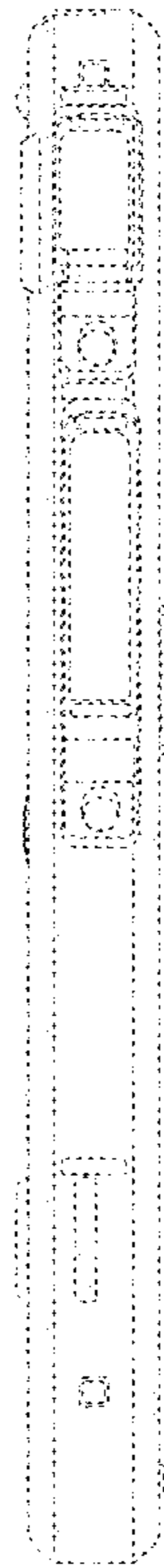


FIG. 5



FIG. 6

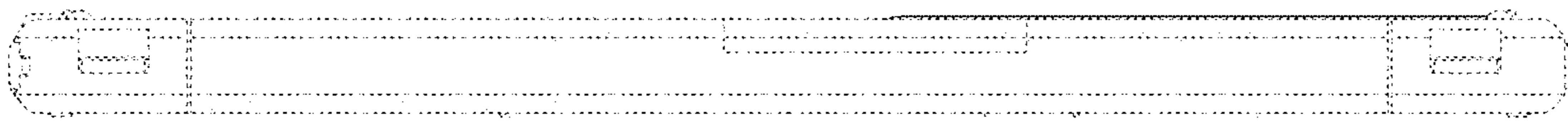




FIG. 7

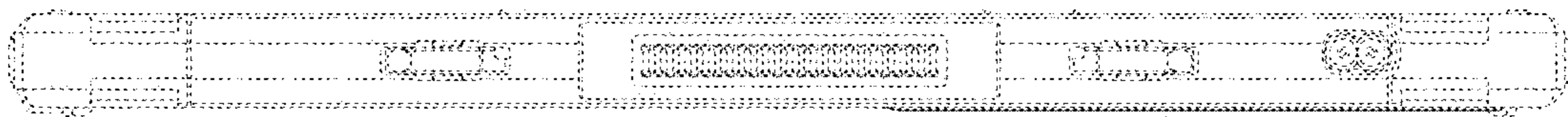


FIG. 8

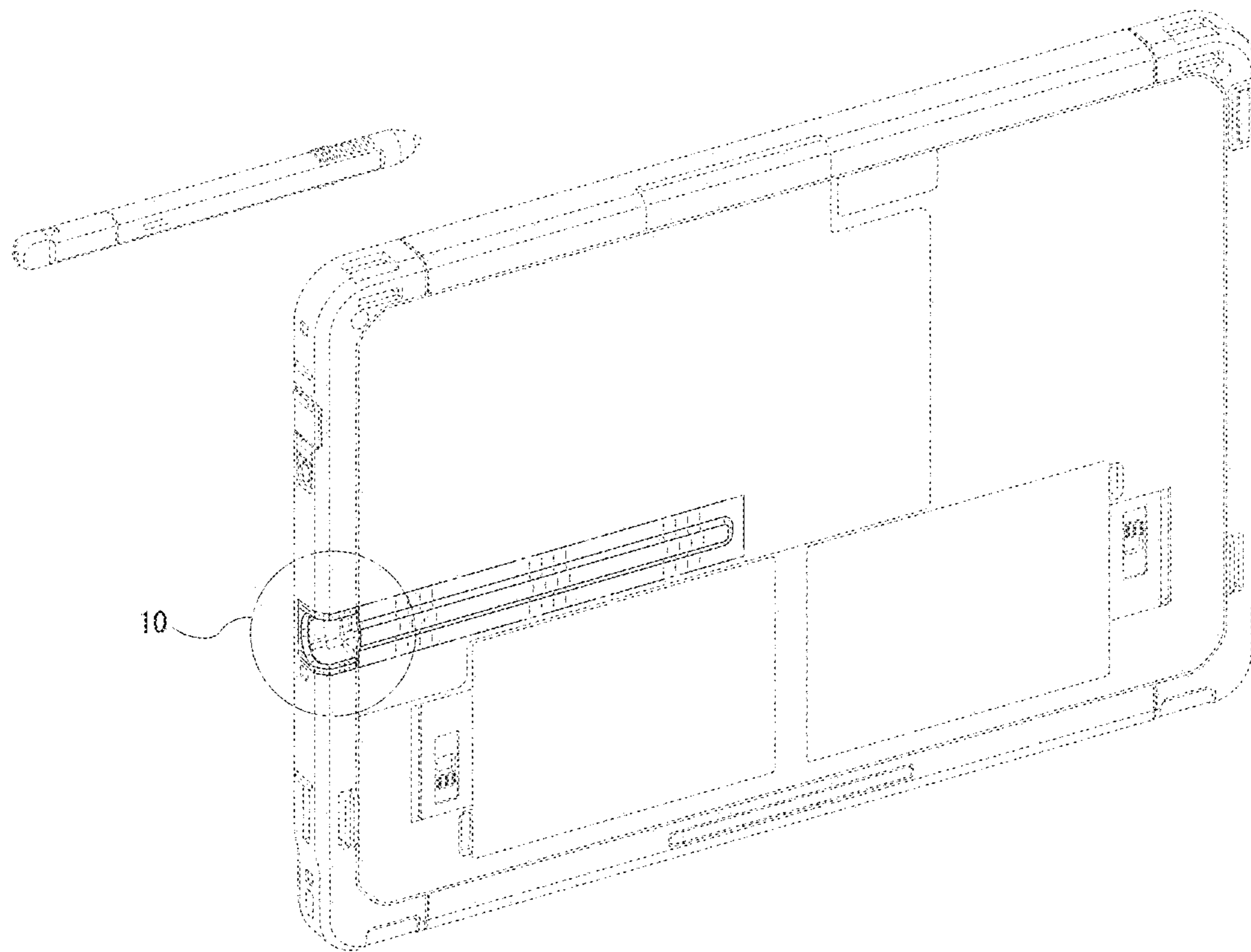


FIG. 9

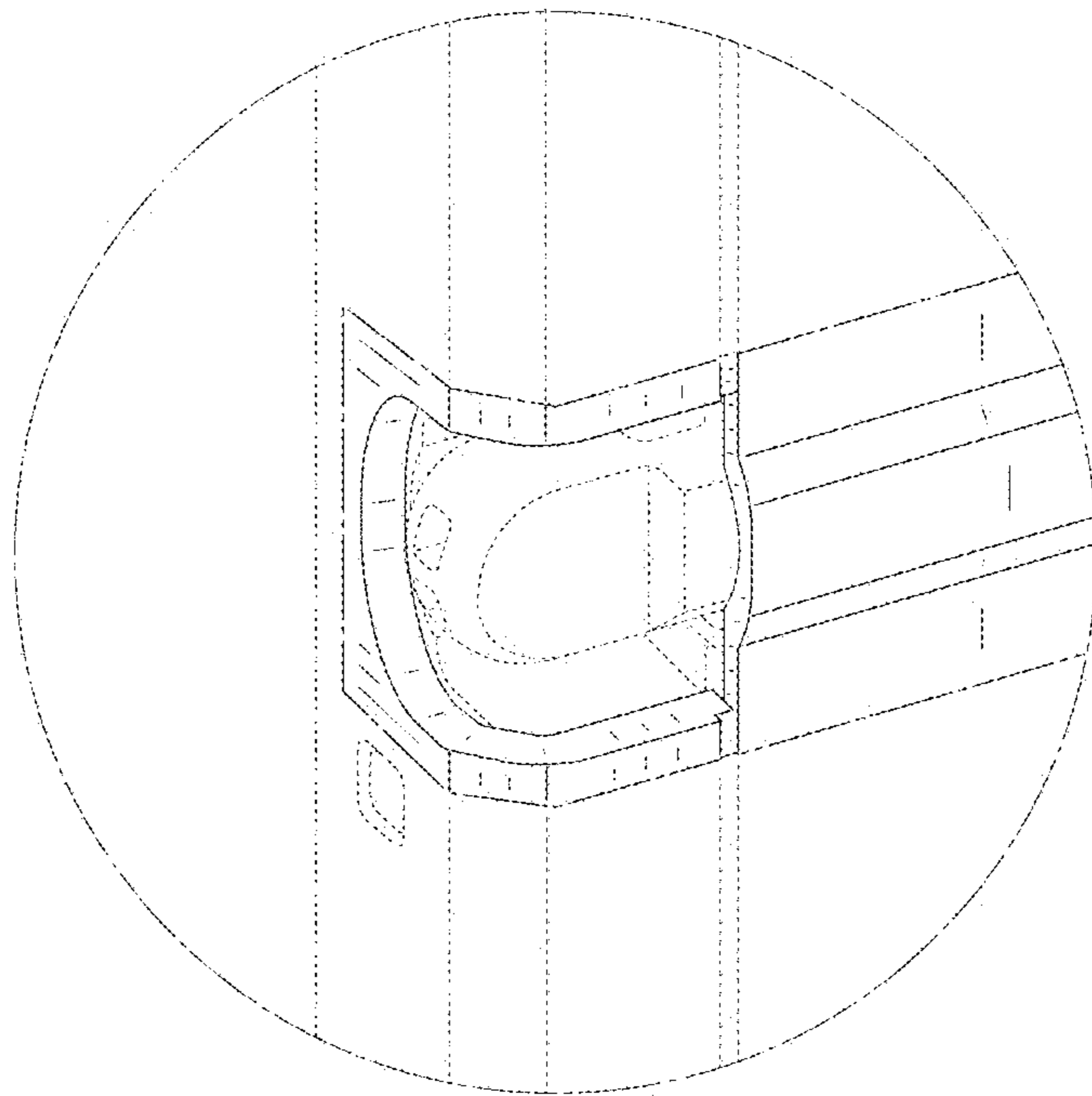


FIG. 10

