



US00D968390S

(12) **United States Design Patent** (10) **Patent No.:** **US D968,390 S**  
**Chi et al.** (45) **Date of Patent:** **\*\* Nov. 1, 2022**

(54) **ELECTRONIC DEVICE**  
(71) Applicants: **Cheng-Ya Chi**, Taipei (TW); **Hsin Yeh**, Taipei (TW); **Pai-Feng Chen**, Taipei (TW); **Chien-Chu Chen**, Taipei (TW)  
(72) Inventors: **Cheng-Ya Chi**, Taipei (TW); **Hsin Yeh**, Taipei (TW); **Pai-Feng Chen**, Taipei (TW); **Chien-Chu Chen**, Taipei (TW)  
(73) Assignee: **COMPAL ELECTRONICS, INC.**, Taipei (TW)  
(\*\*) Term: **15 Years**  
(21) Appl. No.: **29/649,929**  
(22) Filed: **Jun. 4, 2018**  
(51) **LOC (13) Cl.** ..... **14-02**  
(52) **U.S. Cl.**  
USPC ..... **D14/341**  
(58) **Field of Classification Search**  
USPC ..... D14/138 AA, 138 AB, 138 AC, 138 AD, D14/138 C, 138 G, 248, 315-318,  
(Continued)

(56) **References Cited**  
**U.S. PATENT DOCUMENTS**  
5,768,163 A \* 6/1998 Smith, II ..... G06F 1/1601  
348/373  
D491,934 S \* 6/2004 Shimano ..... D14/318  
(Continued)

**FOREIGN PATENT DOCUMENTS**  
CN 305342291 \* 9/2019  
CN 305509929 \* 12/2019  
(Continued)

**OTHER PUBLICATIONS**  
Lenovo N23, date first available: Oct. 4, 2017, [retrieved Jan. 12, 2022], Retrieved from Internet, URL: <<https://www.amazon.com/Lenovo-N23-11-6-Chromebook-Refurbished/dp/B0765CBQP8>> (Year: 2017).\*

(Continued)

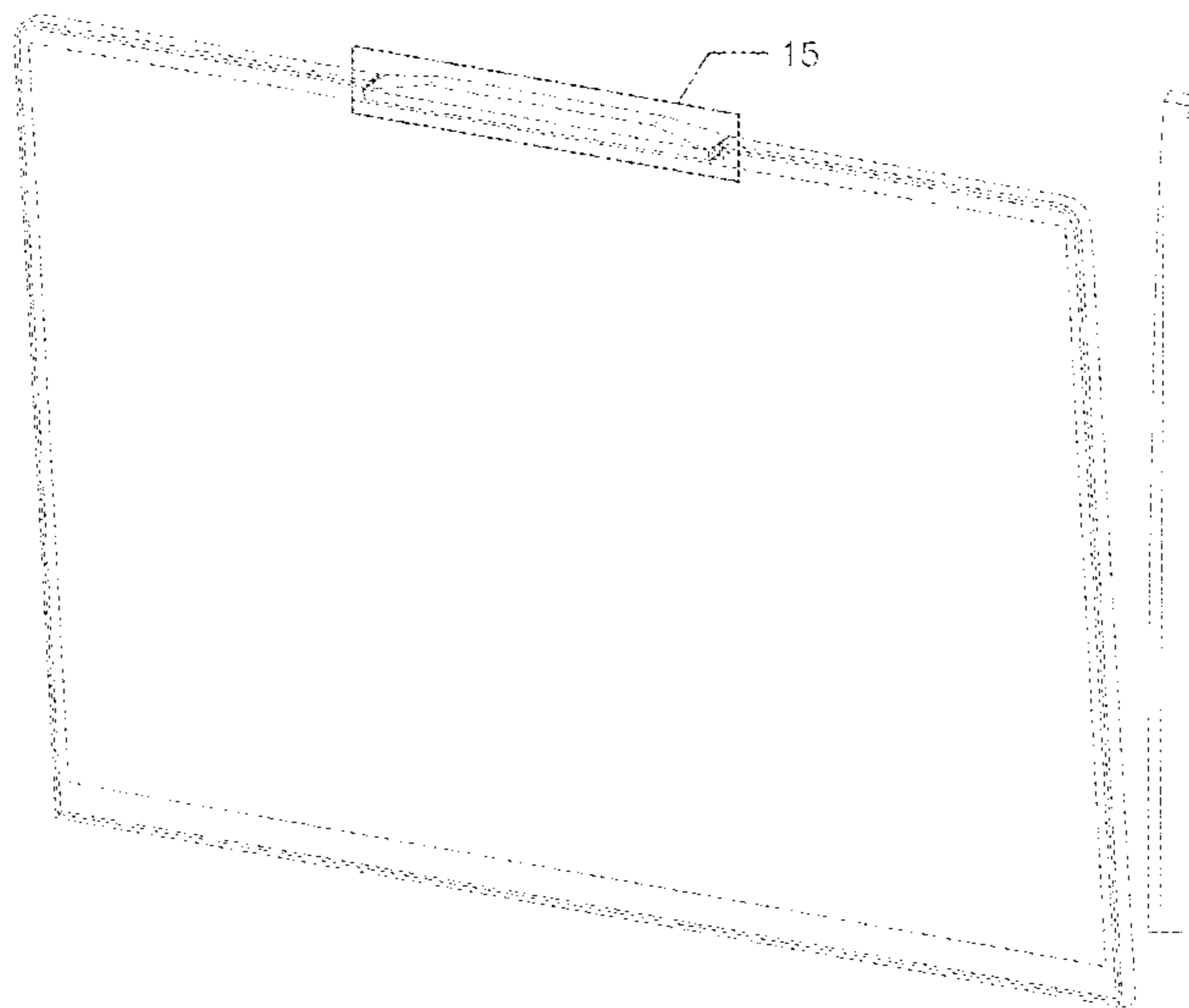
*Primary Examiner* — Messina L Smith  
*Assistant Examiner* — Aram Kwon  
(74) *Attorney, Agent, or Firm* — JCIPRNET

(57) **CLAIM**  
The ornamental design for an electronic device, as shown and described.

**DESCRIPTION**  
FIG. 1 is a perspective view of an electronic device showing our new design;  
FIG. 2 is a front view thereof;  
FIG. 3 is a rear view thereof;  
FIG. 4 is a left side view thereof;  
FIG. 5 is a right side view thereof;  
FIG. 6 is a top view thereof;  
FIG. 7 is a bottom view thereof;  
FIG. 8 is a perspective view of the electronic device shown in an alternate configuration with the camera flipped up;  
FIG. 9 is a front view thereof;  
FIG. 10 is a rear view thereof;  
FIG. 11 is a left side view thereof;  
FIG. 12 is a right side view thereof;  
FIG. 13 is a top view thereof;  
FIG. 14 is a bottom view thereof;  
FIG. 15 is an enlarged view of a portion of the electronic device of FIG. 1;  
FIG. 16 is an enlarged view of a portion of the electronic device of FIG. 2;  
FIG. 17 is an enlarged view of a portion of the electronic device of FIG. 8; and,  
FIG. 18 is an enlarged view of a portion of the electronic device of FIG. 9.

The evenly-dashed lines shown in the drawings depict portions of the electronic device that form no part of the claimed design. The dash-dot-dot lines enclosing portions of the claimed design that are illustrated in enlargements form no part of the claimed design.

**1 Claim, 14 Drawing Sheets**



(58) **Field of Classification Search**

USPC ..... D14/341–347, 371, 374; D6/308, 310;  
 D10/50, 65, 104.1; D18/6–7; D19/26,  
 D19/59–60; D21/324, 329–330, 332;  
 D16/200–208, 211  
 CPC ... H04M 1/0202; H04M 1/0266; H04M 1/725  
 See application file for complete search history.

FOREIGN PATENT DOCUMENTS

CN	305996718	*	8/2020
CN	306777593	*	8/2021
JP	D1475458		7/2013

OTHER PUBLICATIONS

Asus Zenfone 6, May 16, 2019, [retrieved Jan. 12, 2022], Retrieved from Internet, URL: <<https://9to5google.com/2019/05/16/asus-zenfone-6-flip-camera-announced/>> (Year: 2019).\*

HP's new 11-inch tablet has a flipping webcam, Sep. 22, 2021, [retrieved Jan. 12, 2022], Retrieved from Internet, URL: <<https://www.theverge.com/2021/9/22/22687544/hp-11-inch-tablet-flipping-13-megapixel-webcam-keyboard-stylus>> (Year: 2021).\*

CyberStar Studio, date of launch: 2018, [retrieved Jan. 12, 2022], Retrieved from Internet, URL: <<https://ifdesign.com/en/winner-ranking/project/cyberstar-studio/232789>> (Year: 2018).\*

Oppo N1 official images, released: Oct. 2013, [retrieved Jan. 12, 2022], Retrieved from Internet, URL: <[https://www.gsmarena.com/oppo\\_n1-pictures-5724.php](https://www.gsmarena.com/oppo_n1-pictures-5724.php)> (Year: 2013).\*

Oppo N3 official images, released: Jan. 2015, [retrieved Jan. 12, 2022], Retrieved from Internet, URL: <[https://www.gsmarena.com/oppo\\_n3-pictures-6752.php](https://www.gsmarena.com/oppo_n3-pictures-6752.php)> (Year: 2015).\*

Oppo N3 Review!, Dec. 23, 2014, [retrieved Jan. 12, 2022], Retrieved from Internet, URL: <<https://www.youtube.com/watch?v=nDQurcep4ll>> (Year: 2014).\*

“Office Action of Taiwan Counterpart Application”, dated Jun. 11, 2019, pp. 1-3.

(56) **References Cited**

U.S. PATENT DOCUMENTS

D495,706	S	*	9/2004	Lin	.....	D14/374
D564,511	S	*	3/2008	Akhtar	.....	D14/318
D639,801	S	*	6/2011	Kuroda	.....	D14/307
D706,850	S	*	6/2014	Takami	.....	D16/202
D737,812	S	*	9/2015	Myung	.....	D14/341
D738,368	S	*	9/2015	Myung	.....	D14/341
D738,369	S	*	9/2015	Myung	.....	D14/341
D744,021	S	*	11/2015	Miyata	.....	D16/202
D745,000	S	*	12/2015	Lim	.....	D14/341
D919,587	S	*	5/2021	Cao	.....	D14/138 G
2019/0166240	A1	*	5/2019	Hayahi	.....	H05K 5/0217
2019/0260863	A1	*	8/2019	Kinouchi	.....	H04M 1/04
2019/0342432	A1	*	11/2019	Chen	.....	H04M 1/0268
2020/0366772	A1	*	11/2020	Wu	.....	H04M 1/0266
2021/0265890	A1	*	8/2021	Cheng	.....	H04M 1/0264
2021/0368034	A1	*	11/2021	Xu	.....	H04M 1/0266

\* cited by examiner

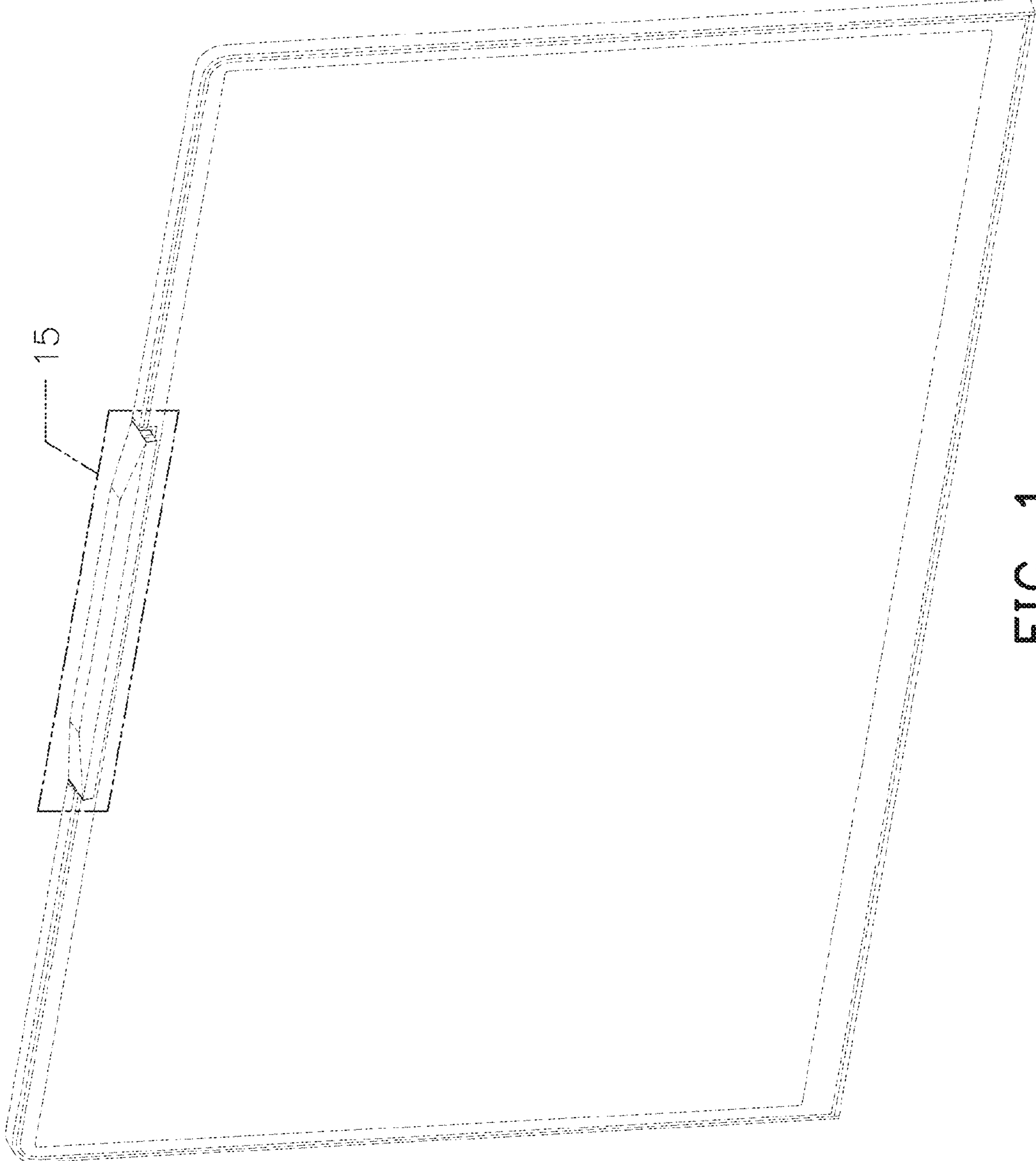


FIG. 1

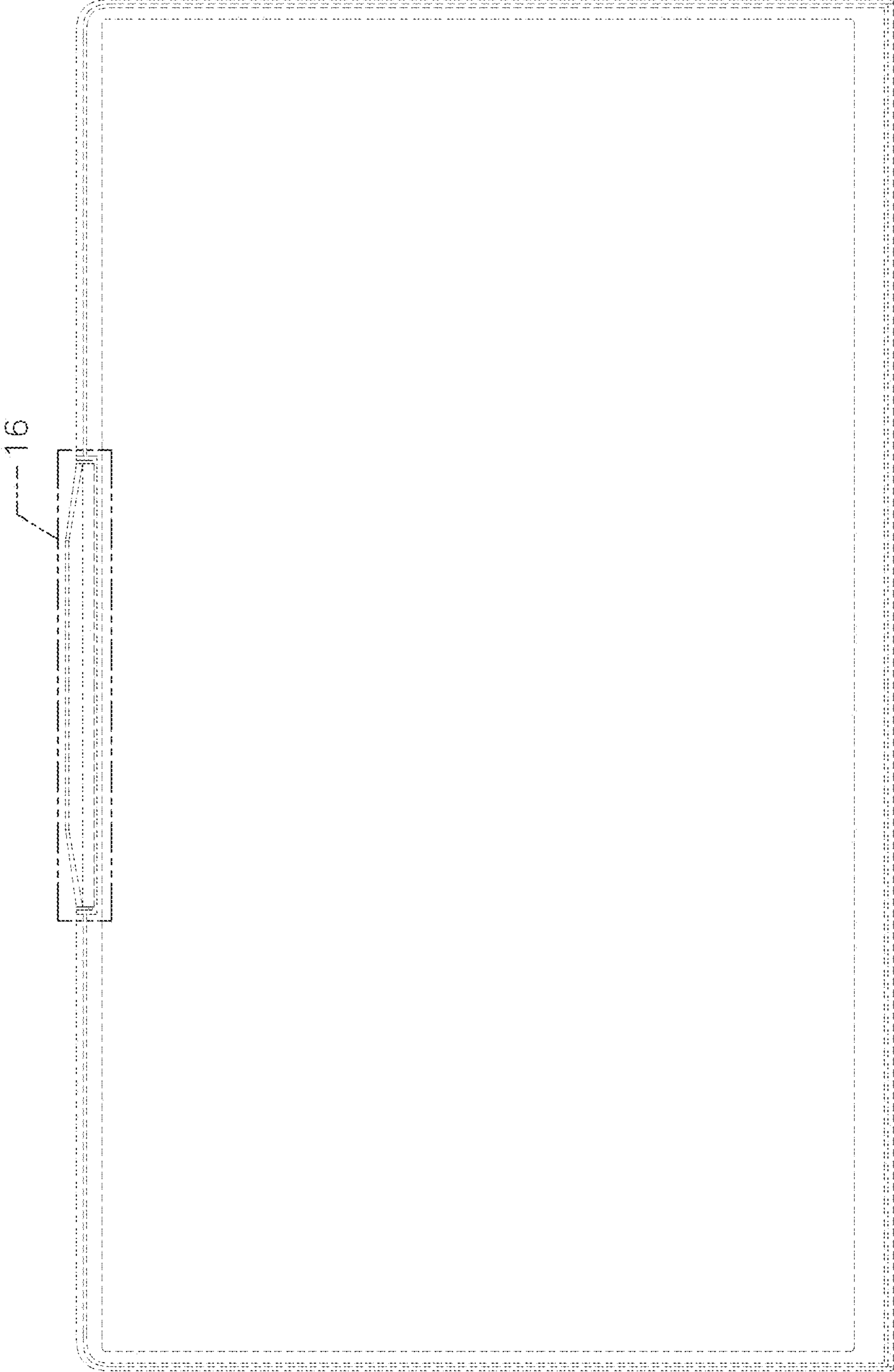


FIG. 2

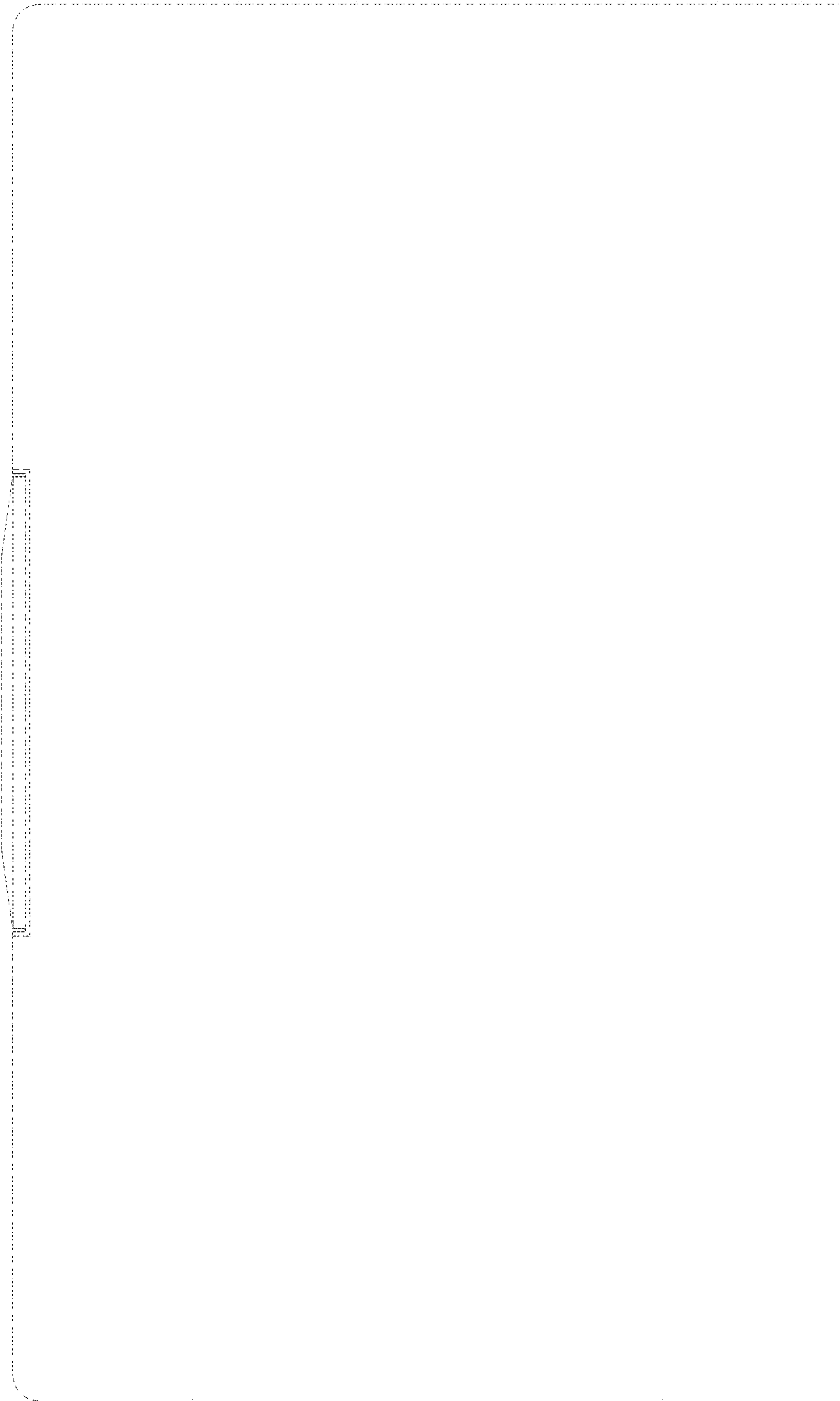


FIG. 3

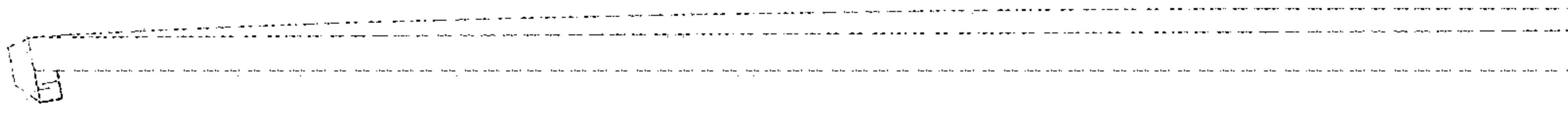


FIG. 5

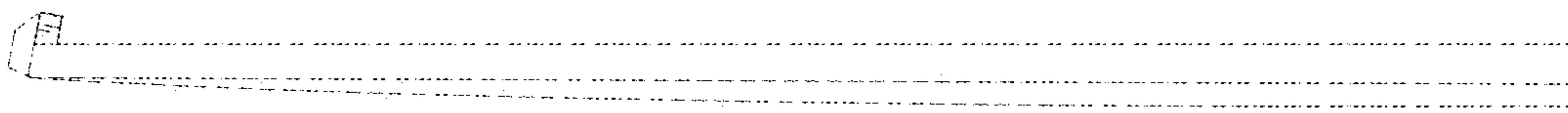


FIG. 4



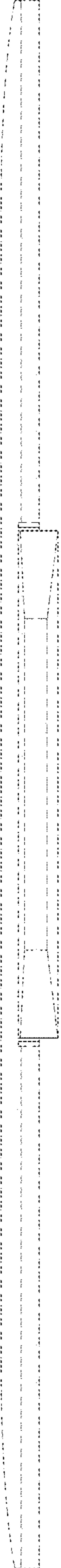


FIG. 6

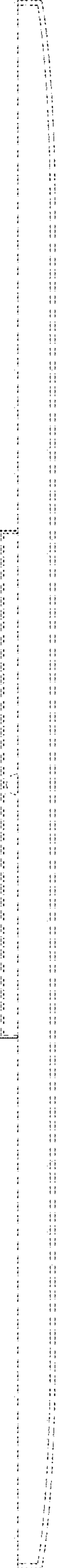


FIG. 7

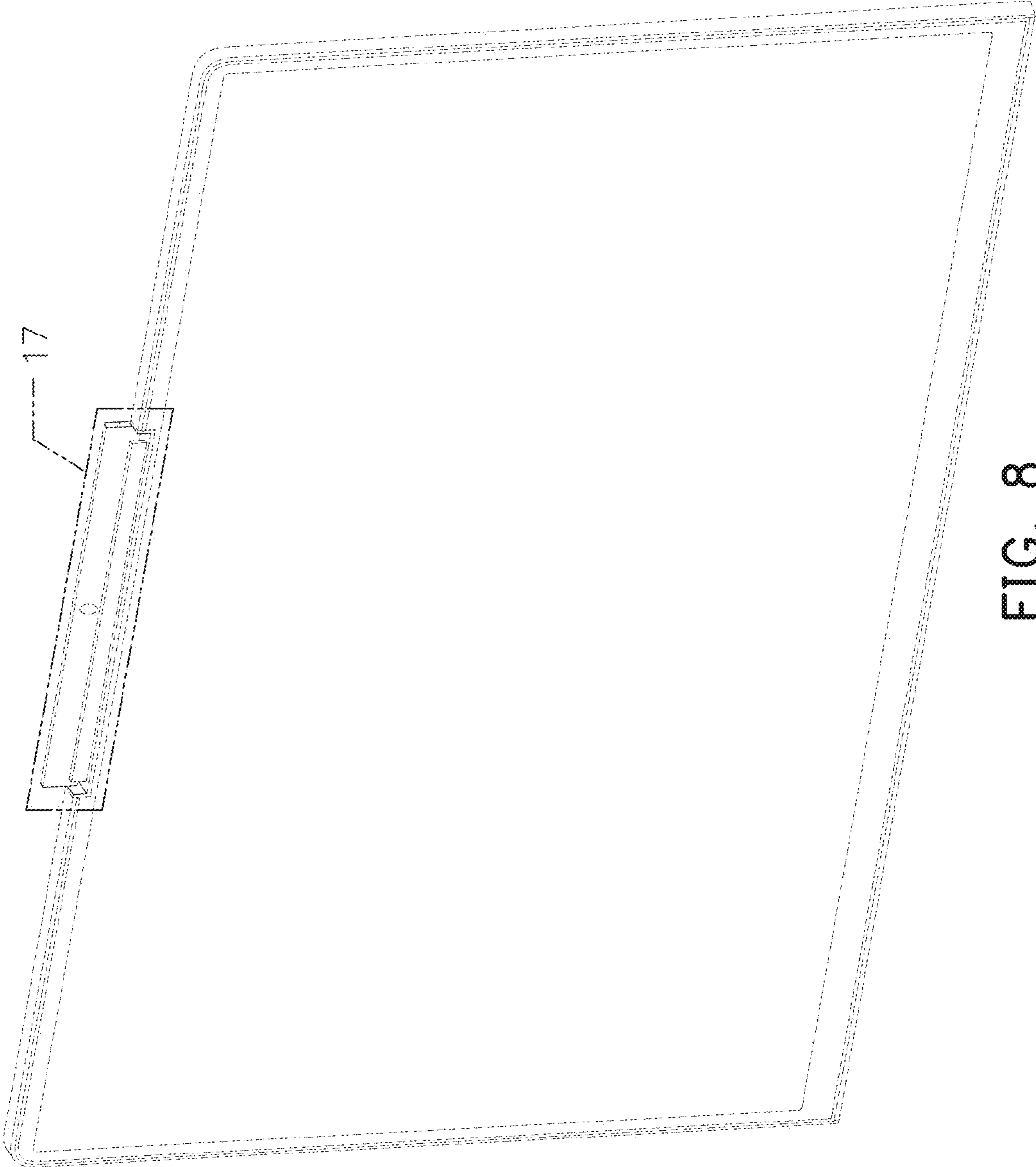


FIG. 8



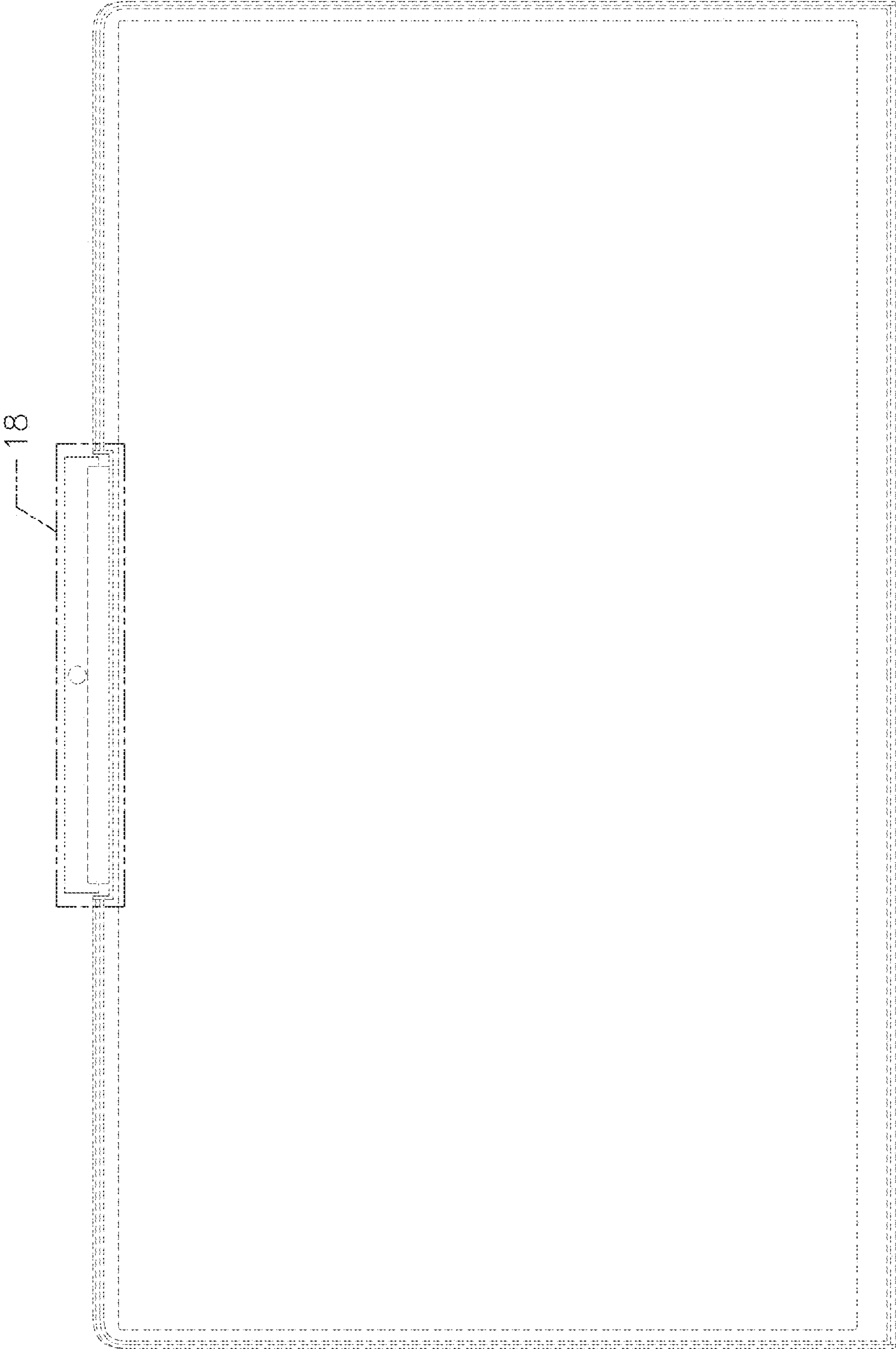


FIG. 9

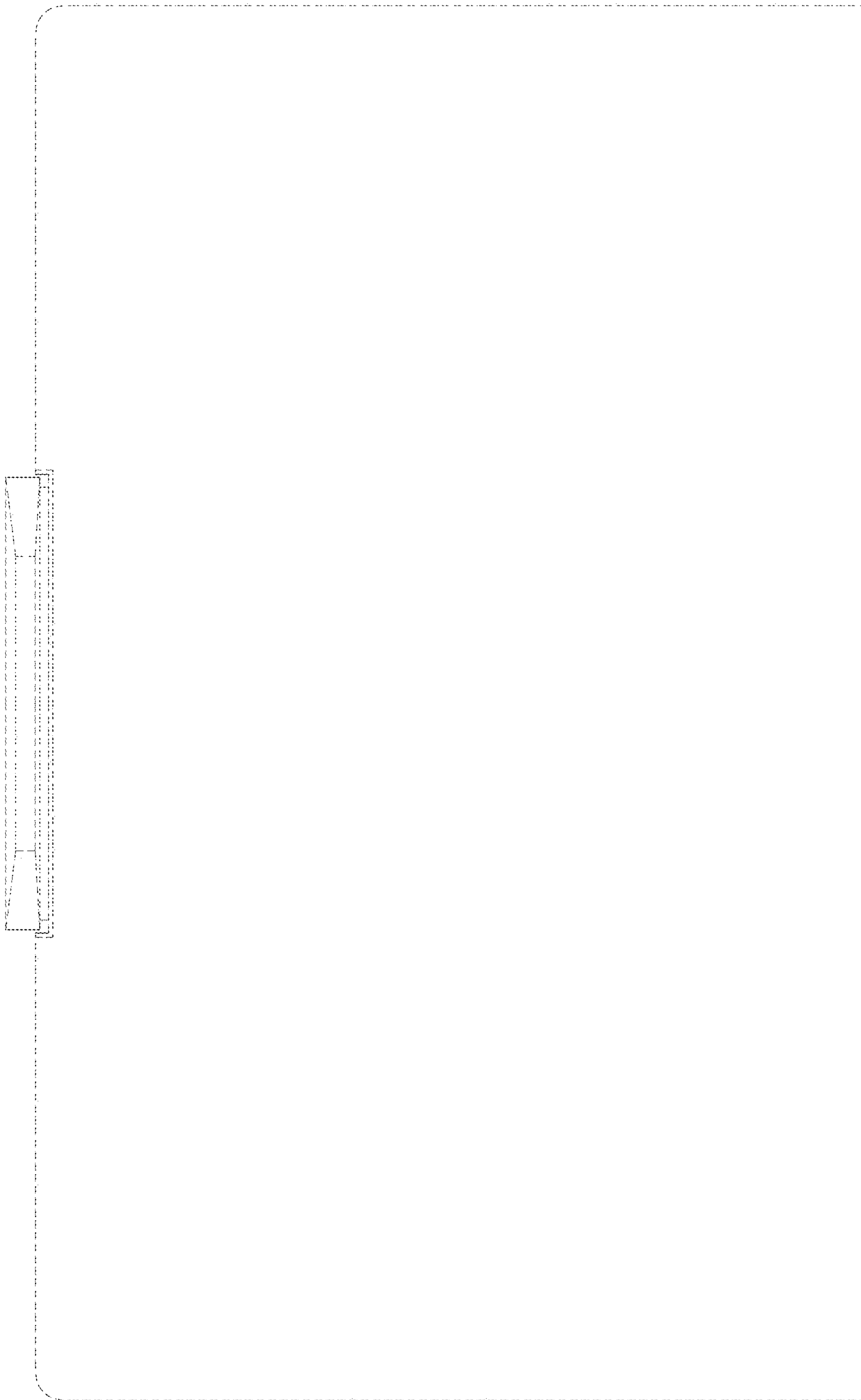


FIG. 10

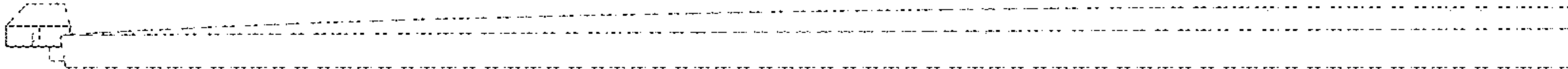


FIG. 12

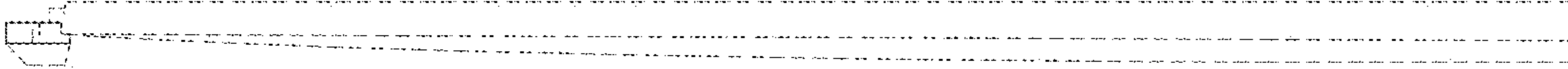


FIG. 11

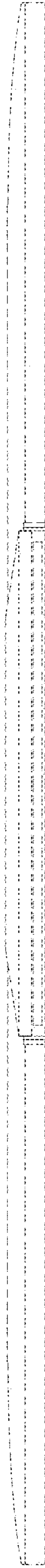


FIG. 13

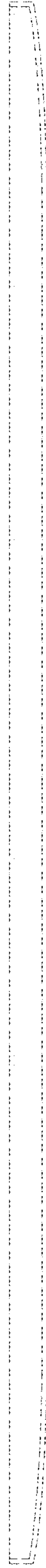


FIG. 14

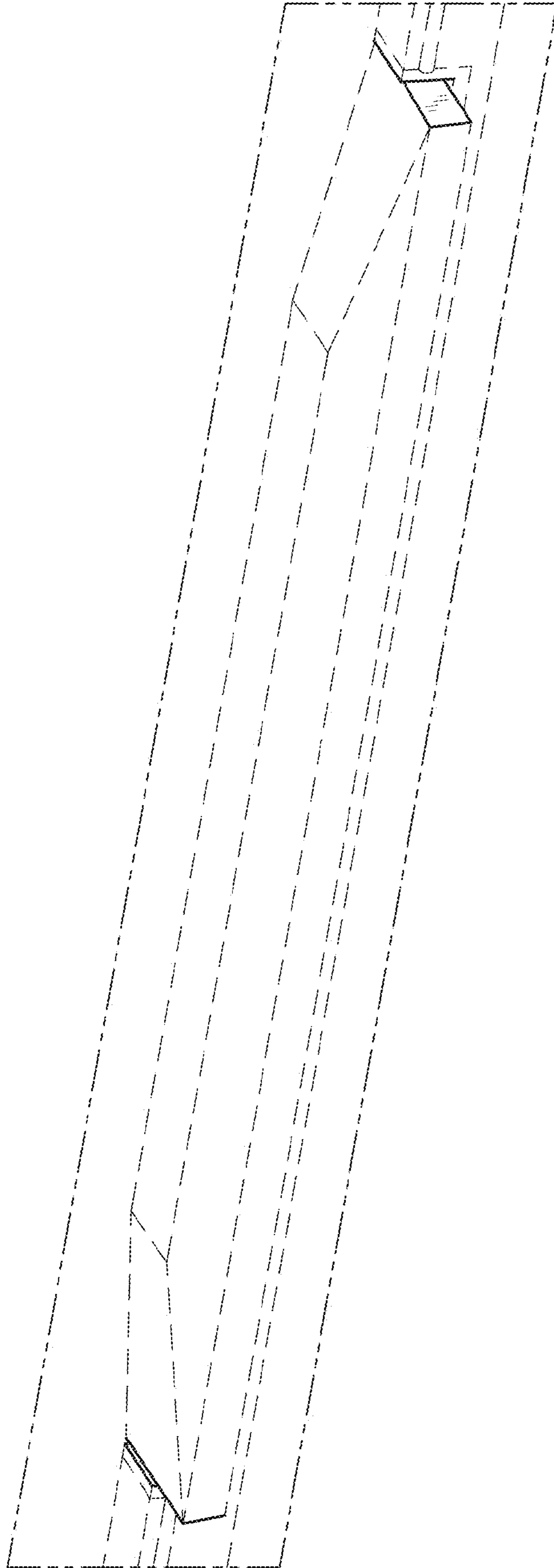


FIG. 15

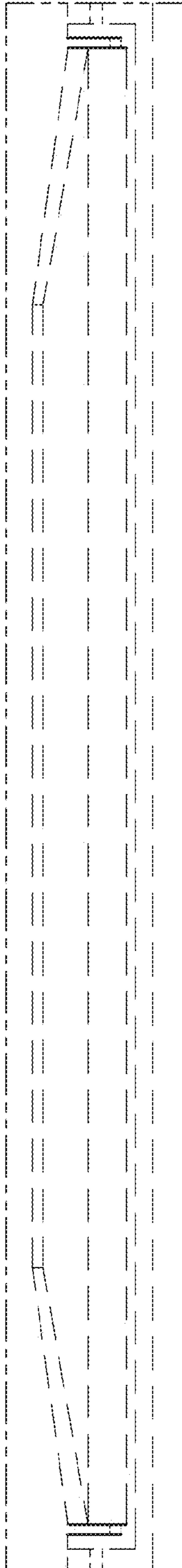


FIG. 16



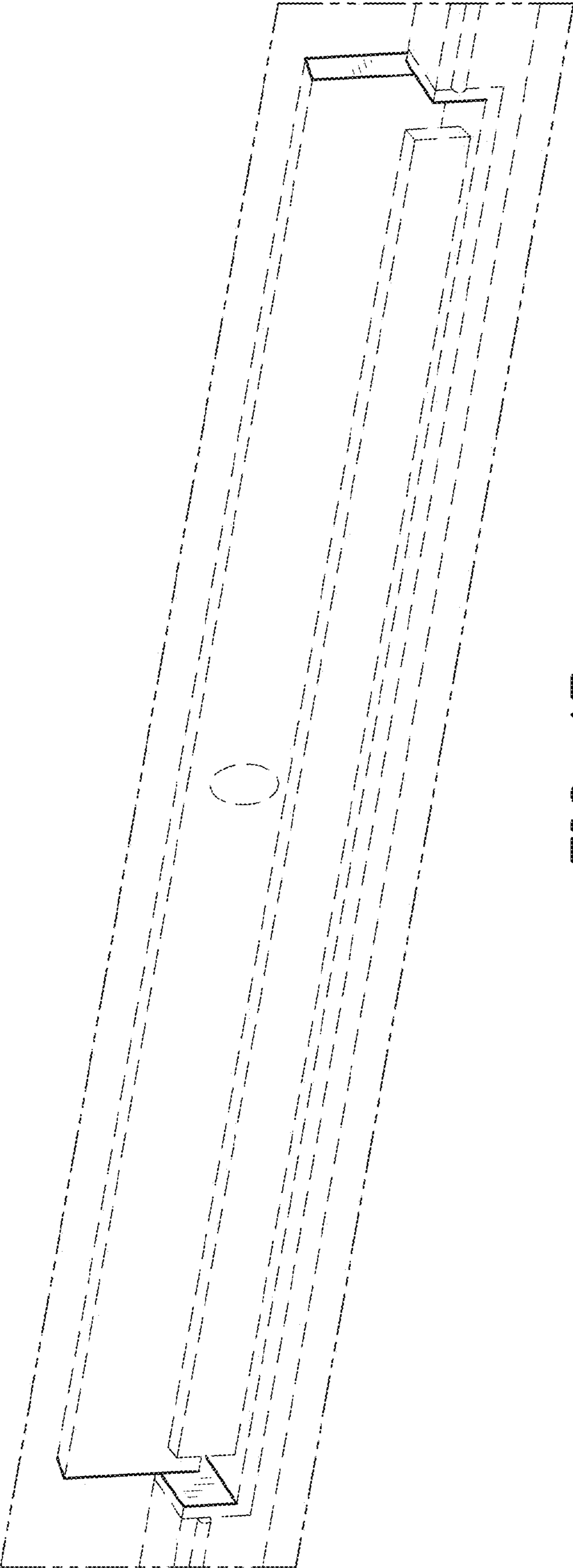


FIG. 17

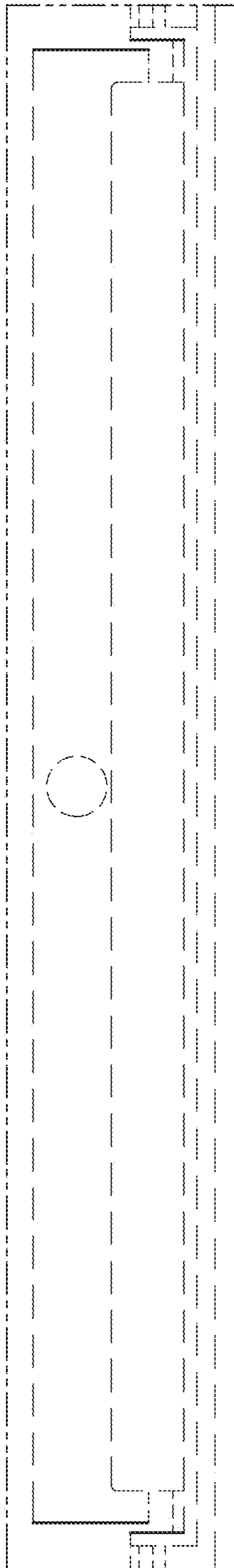


FIG. 18