



US00D968385S

(12) **United States Design Patent**  
**Quijano et al.**

(10) **Patent No.:** **US D968,385 S**

(45) **Date of Patent:** **\*\* Nov. 1, 2022**

(54) **COVER FOR A RACK-MOUNT DEVICE**

FOREIGN PATENT DOCUMENTS

(71) Applicant: **Hewlett-Packard Development Company, L.P.**, Spring, TX (US)

KR 300925685.0000 \* 10/2017

(72) Inventors: **David Quijano**, Fort Collins, CO (US);  
**Tom J. Searby**, Fort Collins, CO (US);  
**Paul L. Drew**, Spring, TX (US)

OTHER PUBLICATIONS

Zcentral Remote Workstation, HP, nycppnews.com, author unlisted, published Nov. 24, 2020 per wayback machine © NYCPPNEWS, online, site visited Mar. 26, 2021. Available at URL: <https://www.nycppnews.com/collaborate-from-a-far-with-hps-zcentral-remote-workflow/> (Year: 2020).\*

(73) Assignee: **Hewlett-Packard Development Company, L.P.**, Spring, TX (US)

(\*\*) Term: **15 Years**

*Primary Examiner* — Holly E Thurman  
*Assistant Examiner* — Altaira J Swangin

(21) Appl. No.: **29/728,765**

(74) *Attorney, Agent, or Firm* — Michael A. Dryja

(22) Filed: **Mar. 20, 2020**

(51) **LOC (13) Cl.** ..... **14-02**

(52) **U.S. Cl.**  
USPC ..... **D14/313**

(57) **CLAIM**

The ornamental design for a cover for a rack-mount device, as shown and described.

(58) **Field of Classification Search**

**DESCRIPTION**

USPC ..... D14/140.1, 140.2, 140.3, 219, 240, 242,  
D14/301–302, 308, 311–312, 348–349,  
D14/351–359, 440–442, 444–446, 450,  
D14/313, 449; D13/103, 110–112, 122,  
D13/158–160, 184; D23/193, 209, 224,  
D23/257, 270, 327, 364–366, 388, 392,  
D23/449–450; D12/163, 167, 172  
CPC . G06F 1/181; H05K 5/00; H05K 5/03; H05K  
5/04; H05K 9/0041; H05K 9/00; Y10T  
428/24149

See application file for complete search history.

FIG. 1 is a perspective view of a cover for a rack-mount device.

FIG. 2 is a front view of the cover for a rack-mount device of FIG. 1.

FIG. 3 is a left view of the cover for a rack-mount device of FIG. 1.

FIG. 4 is a right view of the cover for a rack-mount device of FIG. 1.

FIG. 5 is a top view of the cover for a rack-mount device of FIG. 1.

FIG. 6 is a bottom view of the cover for a rack-mount device of FIG. 1; and,

FIG. 7 is another perspective view of the cover for a rack-mount device of FIG. 1.

The broken lines in the drawings depict portions of the cover for a rack-mount device that form no part of the claimed design. The additional set of broken lines showing a rack-mount device in FIG. 7 illustrate environment and form no part of the claimed design.

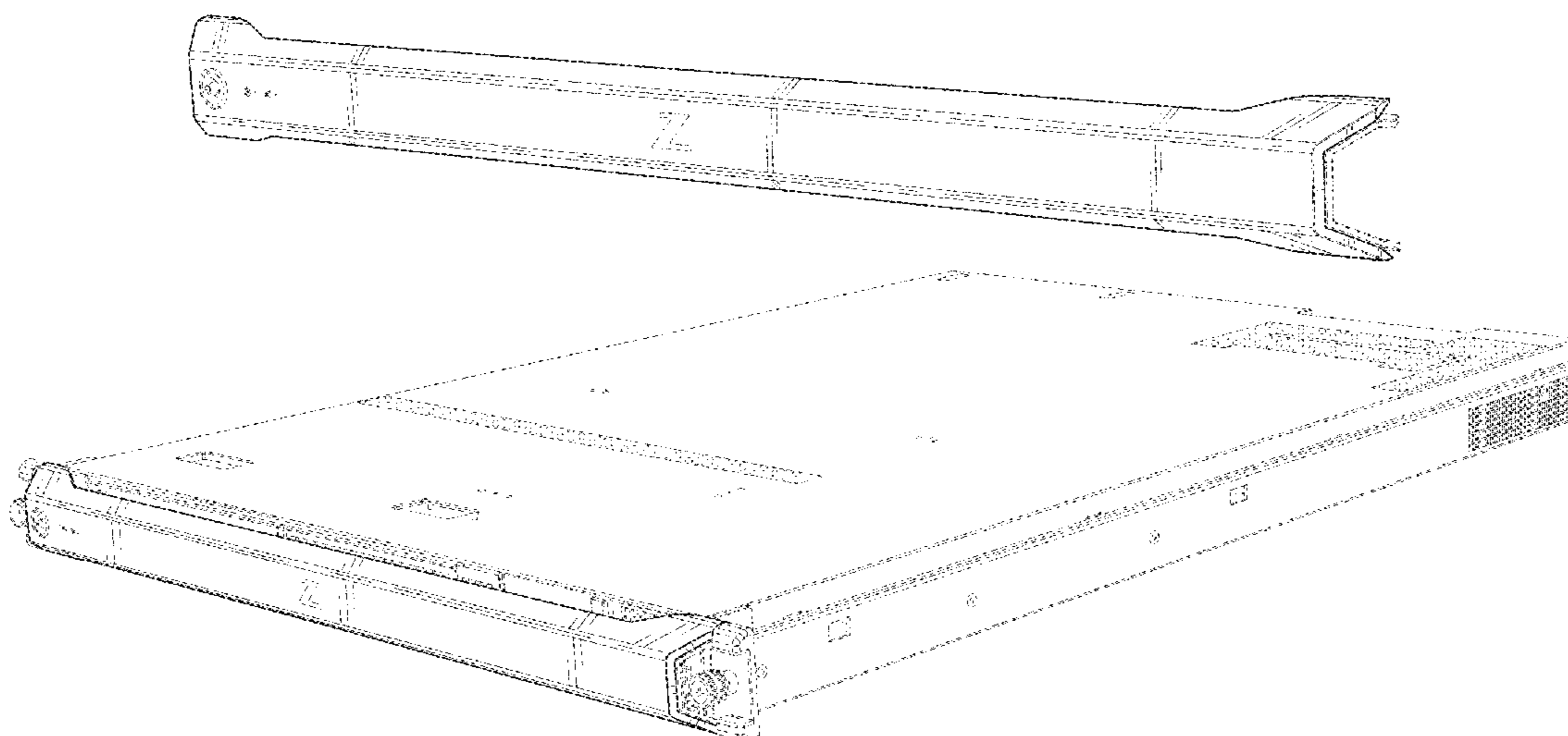
(56) **References Cited**

U.S. PATENT DOCUMENTS

D278,046 S	*	3/1985	Kerschbaum	.....	D12/181
D341,132 S	*	11/1993	Hui	.....	D14/313
D487,264 S	*	3/2004	Tosh	.....	D14/301
D500,321 S	*	12/2004	Wood	.....	D14/444
D500,503 S	*	1/2005	Wood	.....	D14/444
D504,437 S	*	4/2005	Wood	.....	D14/444
D504,897 S	*	5/2005	Wood	.....	D14/444

(Continued)

**1 Claim, 6 Drawing Sheets**



(56)

**References Cited**

U.S. PATENT DOCUMENTS

D576,167 S	*	9/2008	Dearborn .....	D14/444
D580,444 S	*	11/2008	Dearborn .....	D14/444
D599,264 S	*	9/2009	Akasawa .....	D12/181
D636,312 S	*	4/2011	Matei .....	D12/190
D647,833 S	*	11/2011	Matei .....	D12/190
D801,977 S	*	11/2017	Crisp .....	D14/444
D901,511 S	*	11/2020	Chen .....	D14/440
D941,825 S	*	1/2022	Caggiani .....	D14/444

\* cited by examiner

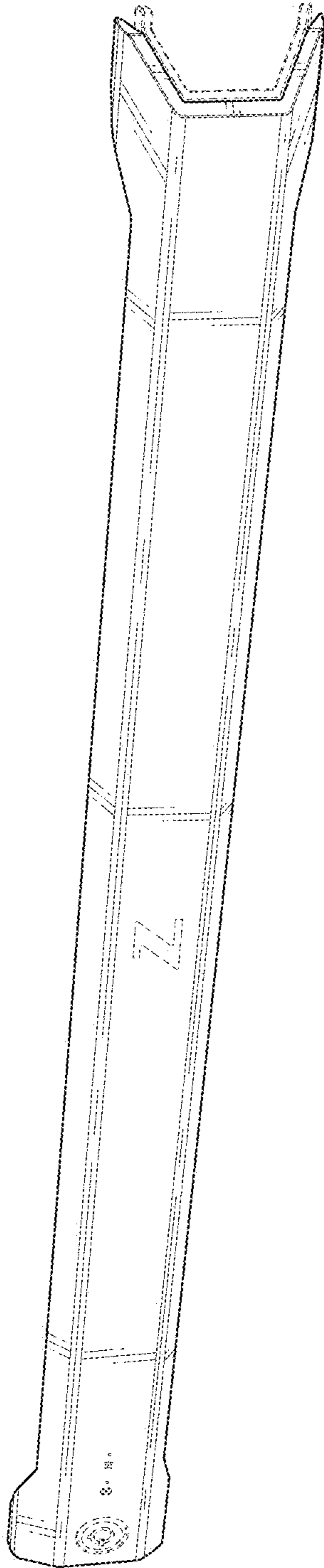


FIG. 1

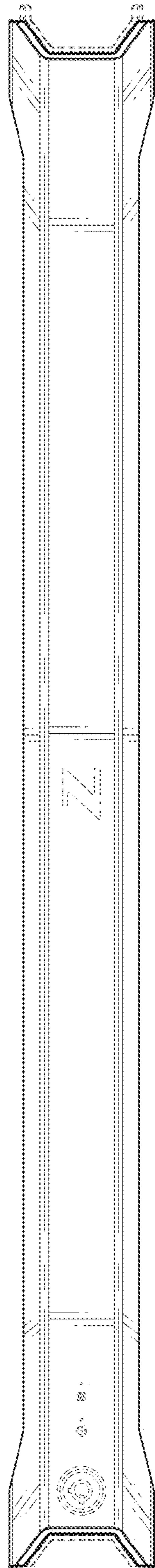


FIG. 2

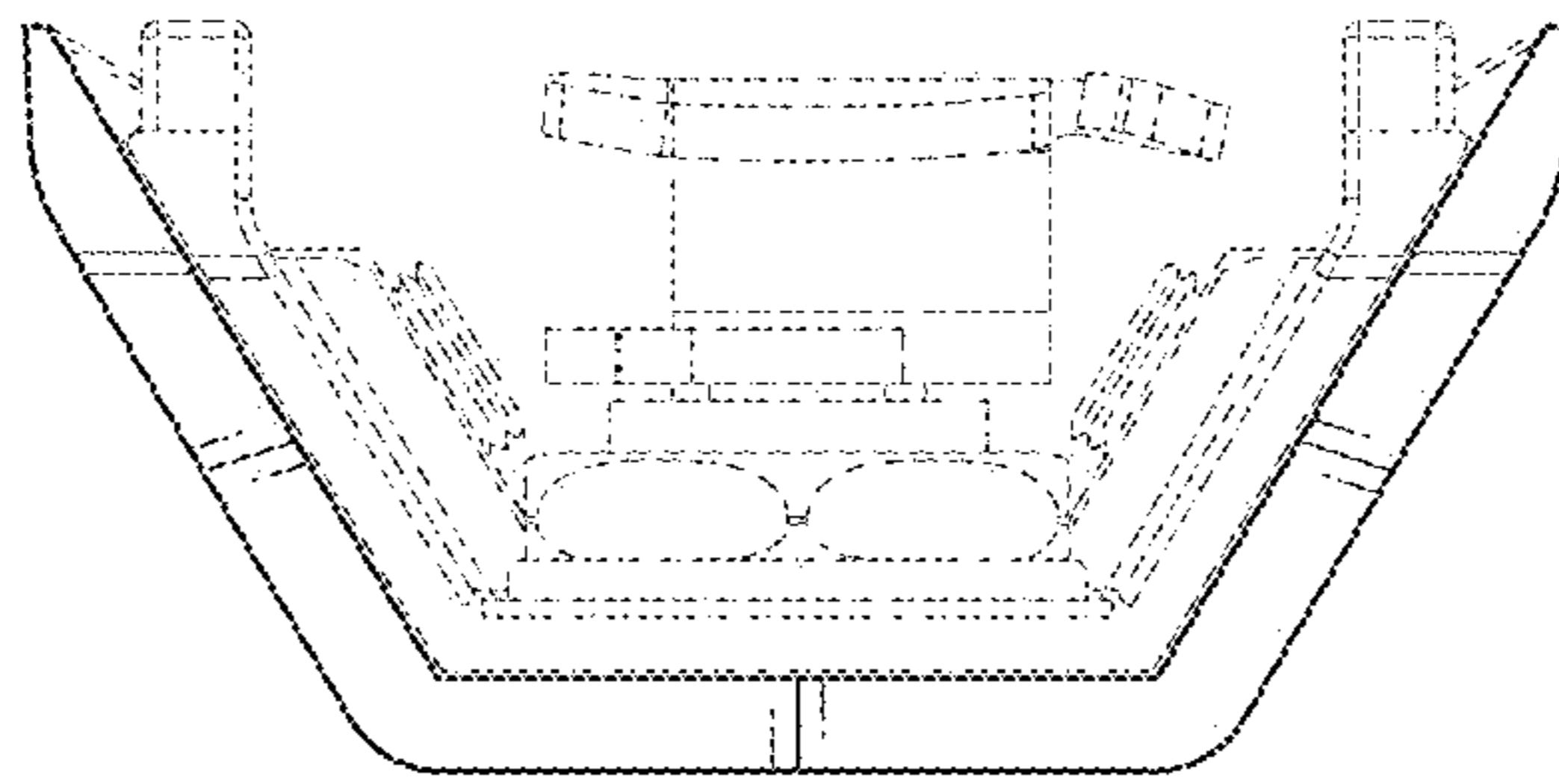


FIG. 3

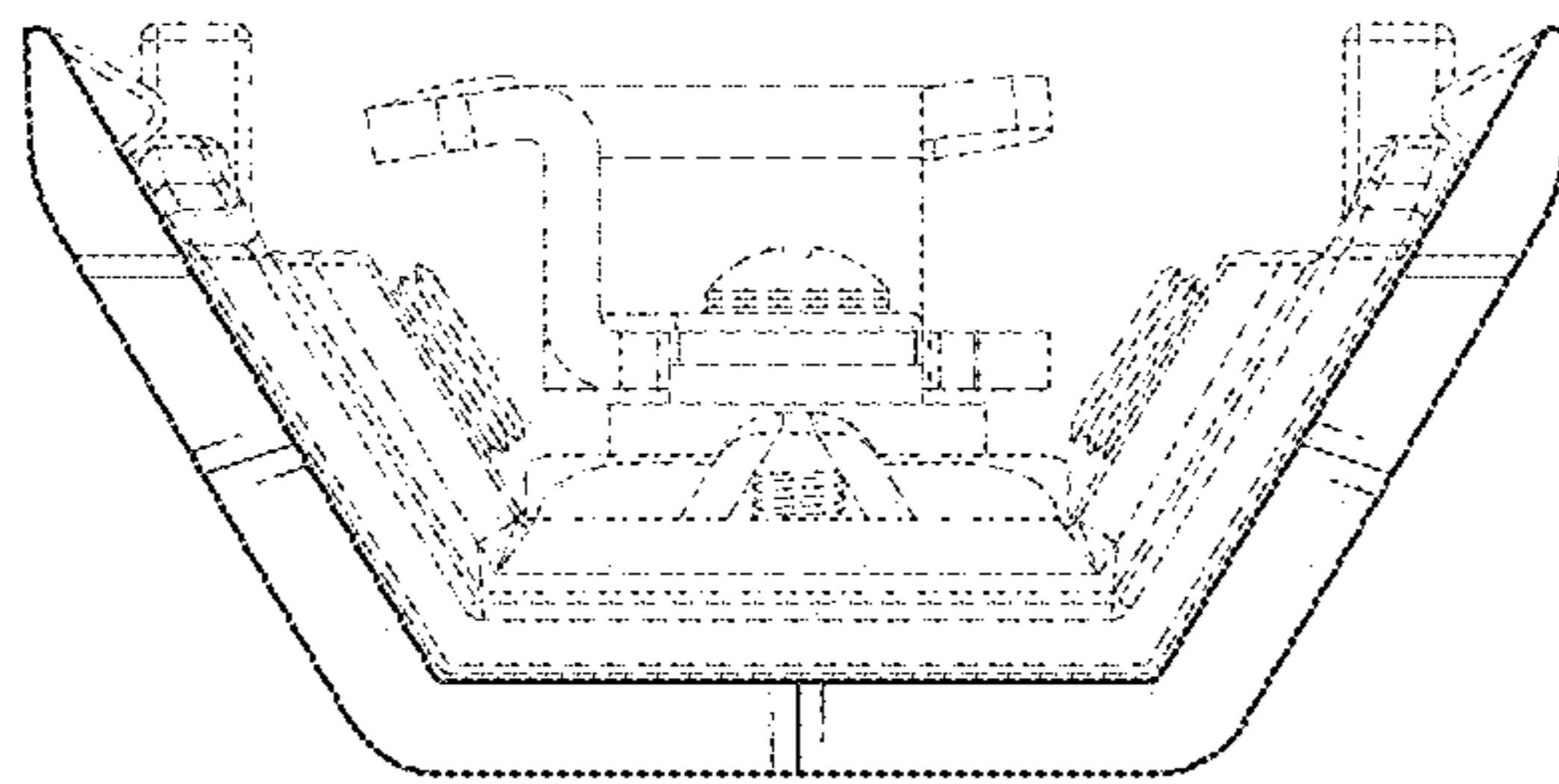


FIG. 4



FIG. 5

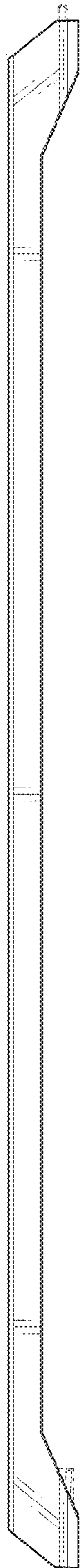


FIG. 6

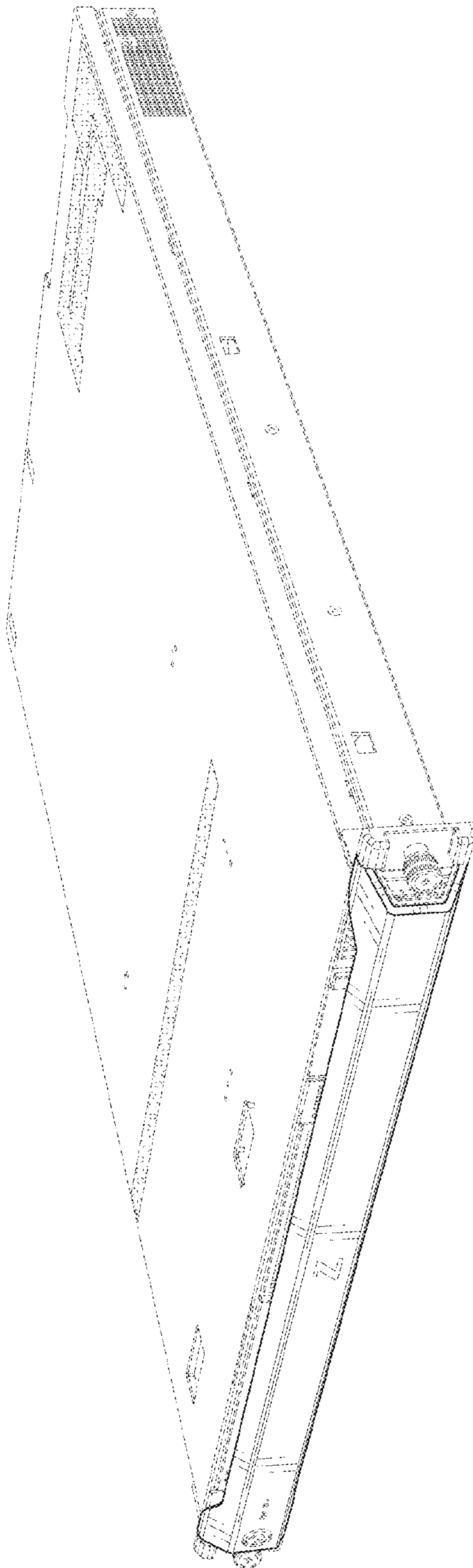


FIG. 7