



US00D968384S

(12) **United States Design Patent**
Gans et al.

(10) **Patent No.:** **US D968,384 S**

(45) **Date of Patent:** **** Nov. 1, 2022**

(54) **SURFACE MOUNT FOR A MOBILE DEVICE**

(71) Applicant: **Peak Design**, San Francisco, CA (US)

(72) Inventors: **Andrew Wheeler Gans**, San Francisco, CA (US); **Matthew Thomas James**, San Francisco, CA (US); **Arthur Viger**, San Francisco, CA (US); **Adrien Rowell**, San Francisco, CA (US)

(73) Assignee: **PEAK DESIGN**, San Francisco, CA (US)

(**) Term: **15 Years**

(21) Appl. No.: **29/778,077**

(22) Filed: **Apr. 9, 2021**

Related U.S. Application Data

(63) Continuation-in-part of application No. 17/067,612, filed on Oct. 9, 2020, which is a continuation-in-part of application No. 16/945,687, filed on Jul. 31, 2020.

(51) **LOC (13) Cl.** **14-03**

(52) **U.S. Cl.**
USPC **D14/253**

(58) **Field of Classification Search**
USPC D14/251-253, 447, 217; D13/108;
D3/218; D12/415
CPC H04M 1/04; H04M 1/21; H04M 1/06;
H04M 1/12
See application file for complete search history.

(56) **References Cited**

U.S. PATENT DOCUMENTS

5,845,885 A 12/1998 Carnevali
6,561,476 B2 5/2003 Carnevali
6,581,892 B2 6/2003 Carnevali
6,666,420 B1 12/2003 Carnevali

D551,058 S 9/2007 Carnevali
7,374,142 B2 5/2008 Carnevali
7,431,251 B2 10/2008 Carnevali
D588,903 S 3/2009 Carnevali
7,607,622 B2 10/2009 Carnevali
7,731,140 B2 6/2010 Carnevali
7,850,133 B2 12/2010 Carnevali

(Continued)

Primary Examiner — Janice Hallmark

(74) *Attorney, Agent, or Firm* — Grumbles Law PLLC; Brittany Haanan

(57) **CLAIM**

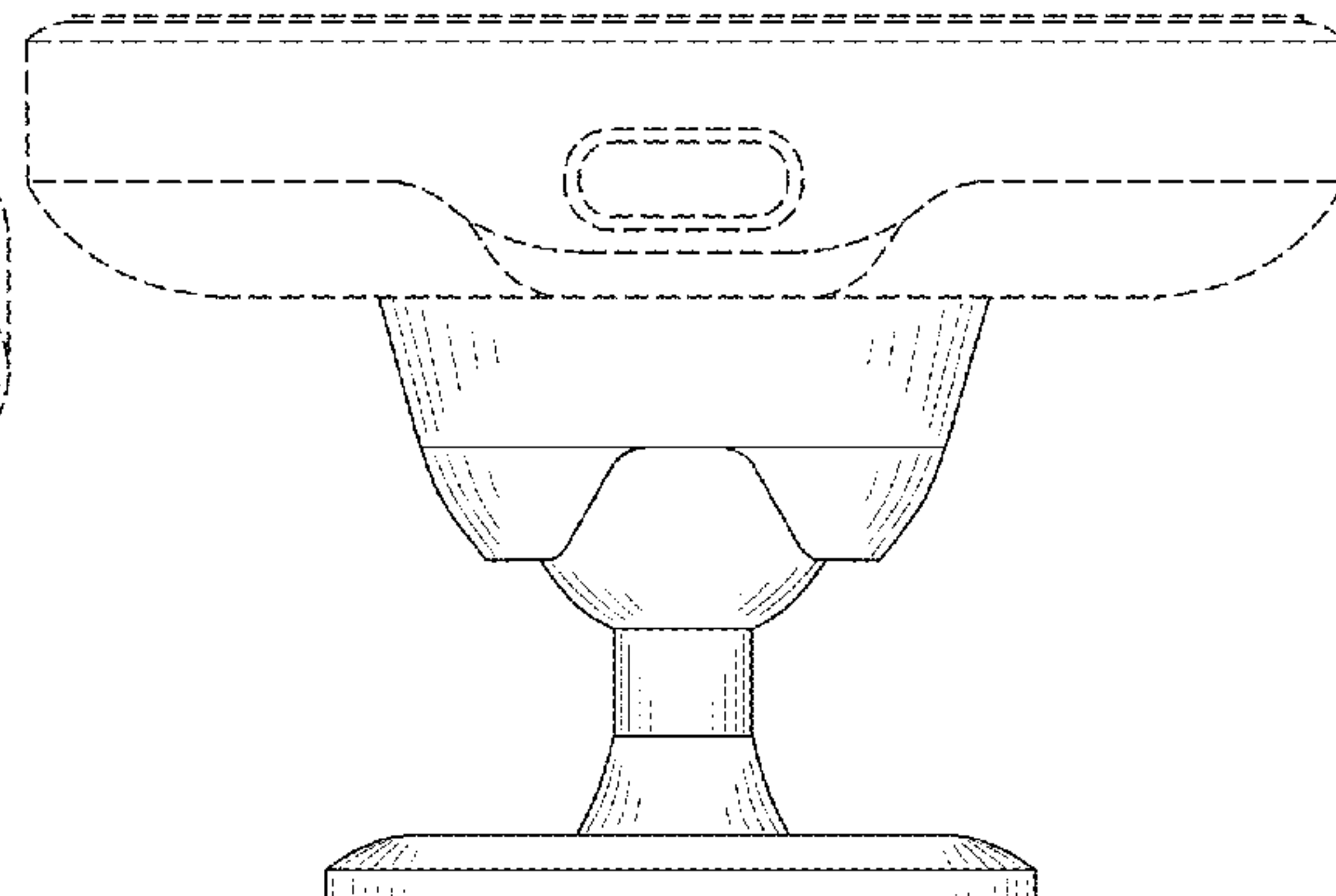
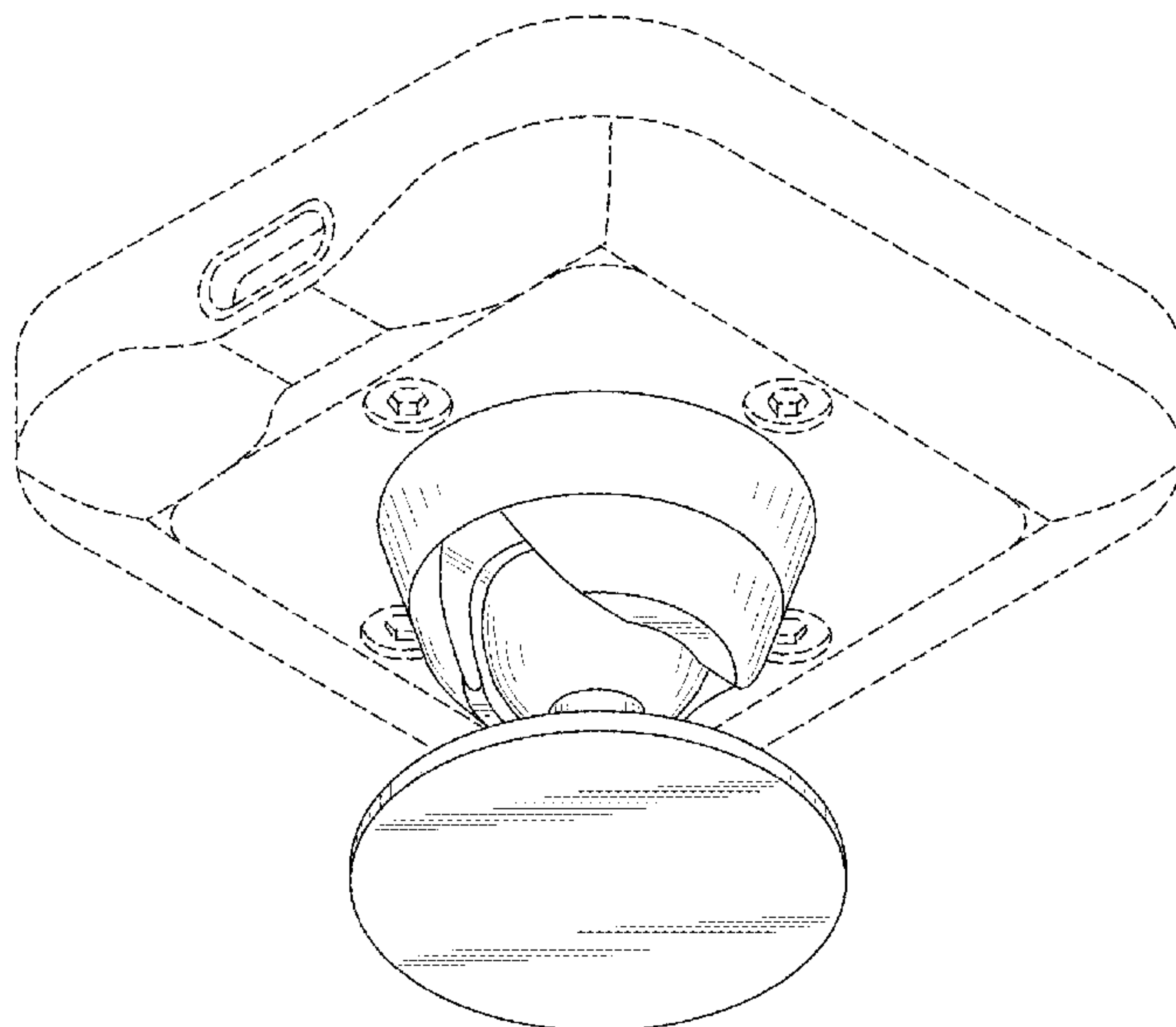
The ornamental design for a surface mount for a mobile device, as shown and described.

DESCRIPTION

FIG. 1 is a perspective top view of a first embodiment of a surface mount for a mobile device showing our new design; FIG. 2 is a perspective bottom view thereof; FIG. 3 is an elevational front view thereof; FIG. 4 is an elevational left side view thereof; the elevational right side view is a mirror image of the left side; FIG. 5 is a top plan view thereof; FIG. 6 is a bottom plan view thereof; FIG. 7 is an elevational left side view of the surface mount for a mobile device of FIG. 1 shown in a second position; FIG. 8 is a perspective top view of a second embodiment of a surface mount for a mobile device; FIG. 9 is a perspective bottom view thereof; FIG. 10 is an elevational front view thereof; FIG. 11 is an elevational left side view thereof; the elevational right side view is a mirror image of the left side; and, FIG. 12 is a bottom plan view thereof.

The broken lines in the drawings are for the purposes of depicting parts of the surface mount for a mobile device that form no part of the claimed design.

1 Claim, 8 Drawing Sheets



(56)

References Cited

U.S. PATENT DOCUMENTS

7,891,618	B2	2/2011	Carnevali	
8,235,340	B2	8/2012	Carnevali	
8,602,376	B2	12/2013	Vogel et al.	
8,870,146	B2	10/2014	Vogel et al.	
D718,612	S	12/2014	McSweyn et al.	
D739,708	S	9/2015	McSweyn et al.	
D778,713	S *	2/2017	McSweyn	D12/415
9,568,145	B2	2/2017	Carnevali	
D783,593	S *	4/2017	Chen	D14/253
9,611,881	B2	4/2017	Khodapanah et al.	
D789,920	S *	6/2017	Zhang	D14/253
9,765,921	B2	9/2017	Vogel et al.	
9,869,423	B2	1/2018	Khodapanah et al.	
10,036,507	B2	7/2018	Vogel et al.	
10,066,779	B2	9/2018	Vogel et al.	
10,215,330	B2	2/2019	Vogel et al.	
D845,961	S *	4/2019	Yao	D14/447
D852,196	S	6/2019	Alves	
D861,003	S *	9/2019	Vogel	D14/447
D873,261	S *	1/2020	Yin	D14/253
D877,741	S	3/2020	Leeds-Frank	
10,649,492	B2	5/2020	Peters et al.	
D902,289	S *	11/2020	Burns	D16/242
D911,324	S *	2/2021	Wu	D14/253
D927,478	S *	8/2021	Wang	D14/253
D931,204	S *	9/2021	Liao	D13/108
D943,568	S *	2/2022	Zhang	D14/253
D954,696	S *	6/2022	Li	D14/253
D955,376	S *	6/2022	Li	D14/253
2011/0192857	A1	8/2011	Rothbaum et al.	
2014/0355200	A1	12/2014	Thiers	
2016/0134142	A1	5/2016	Murphy	
2018/0032104	A1	2/2018	Schatz et al.	

* cited by examiner

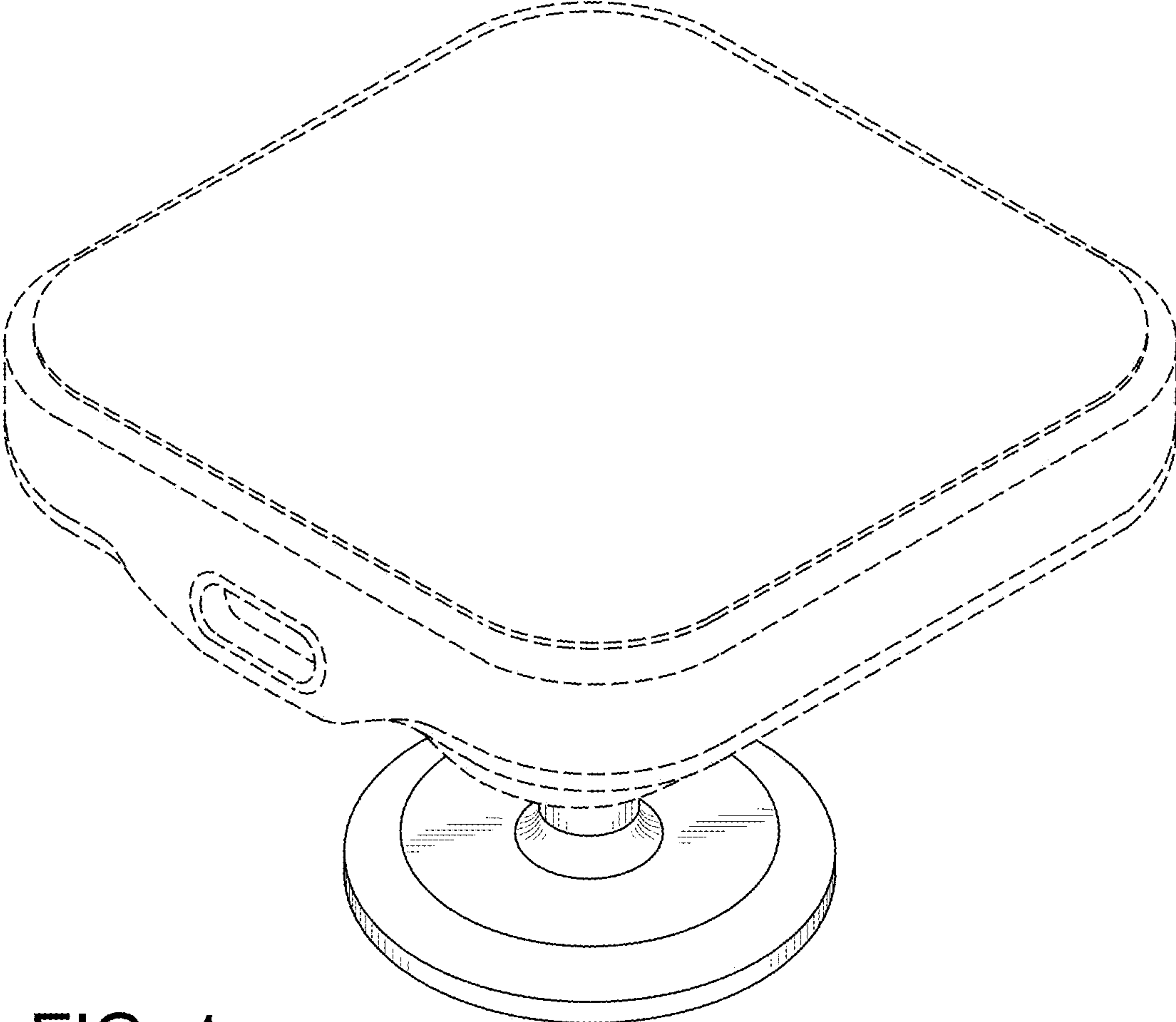


FIG. 1

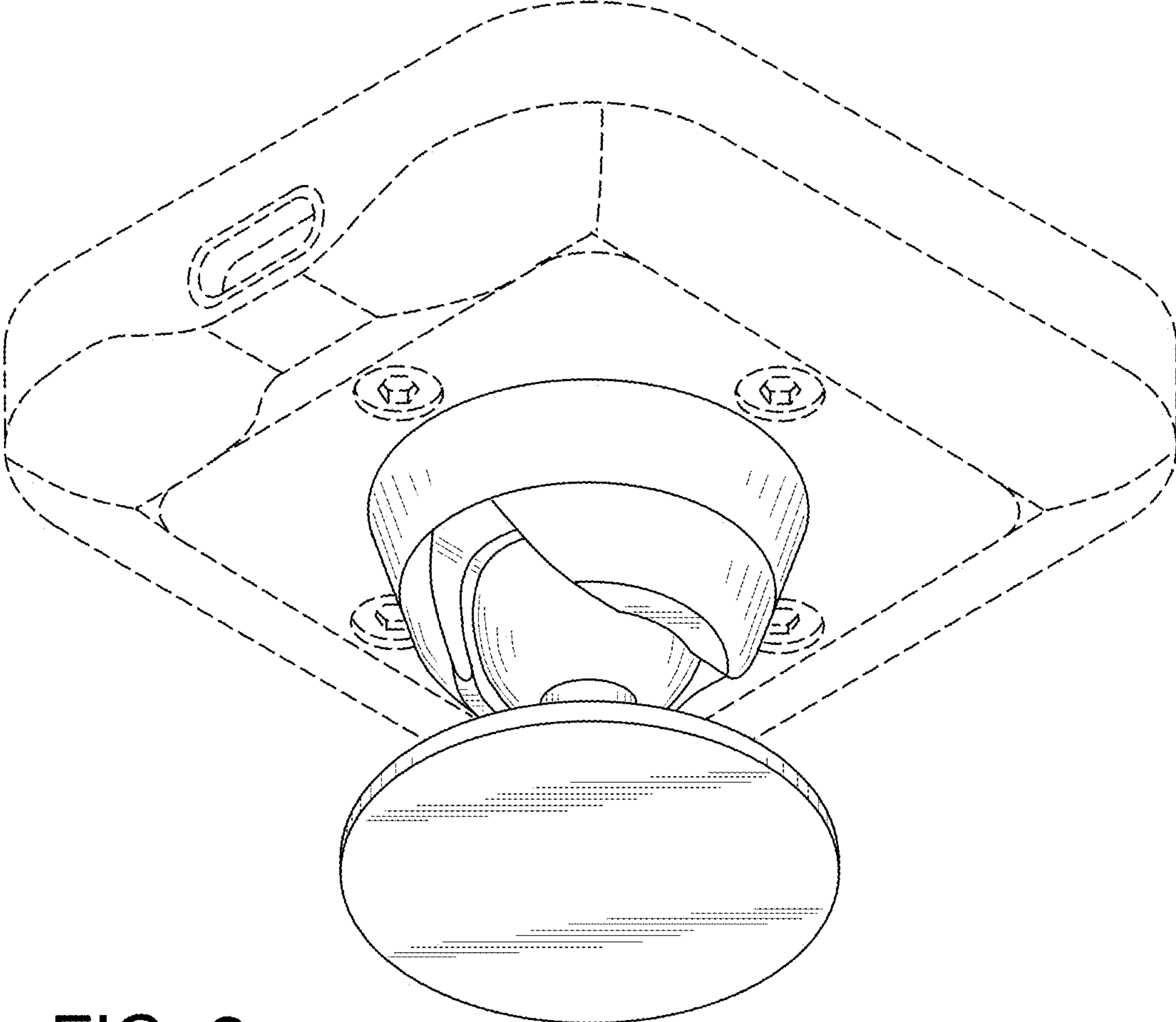


FIG. 2

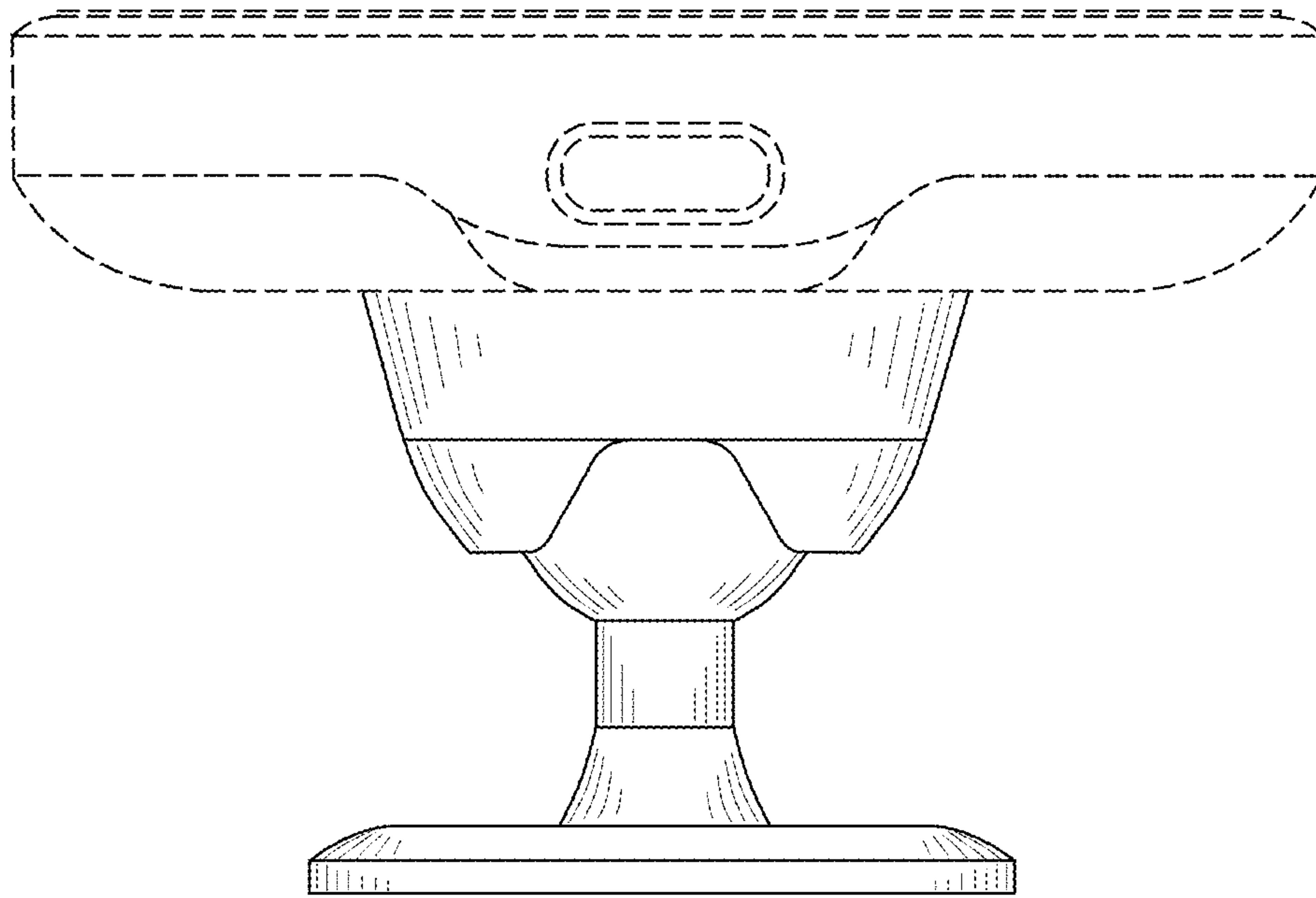


FIG. 3

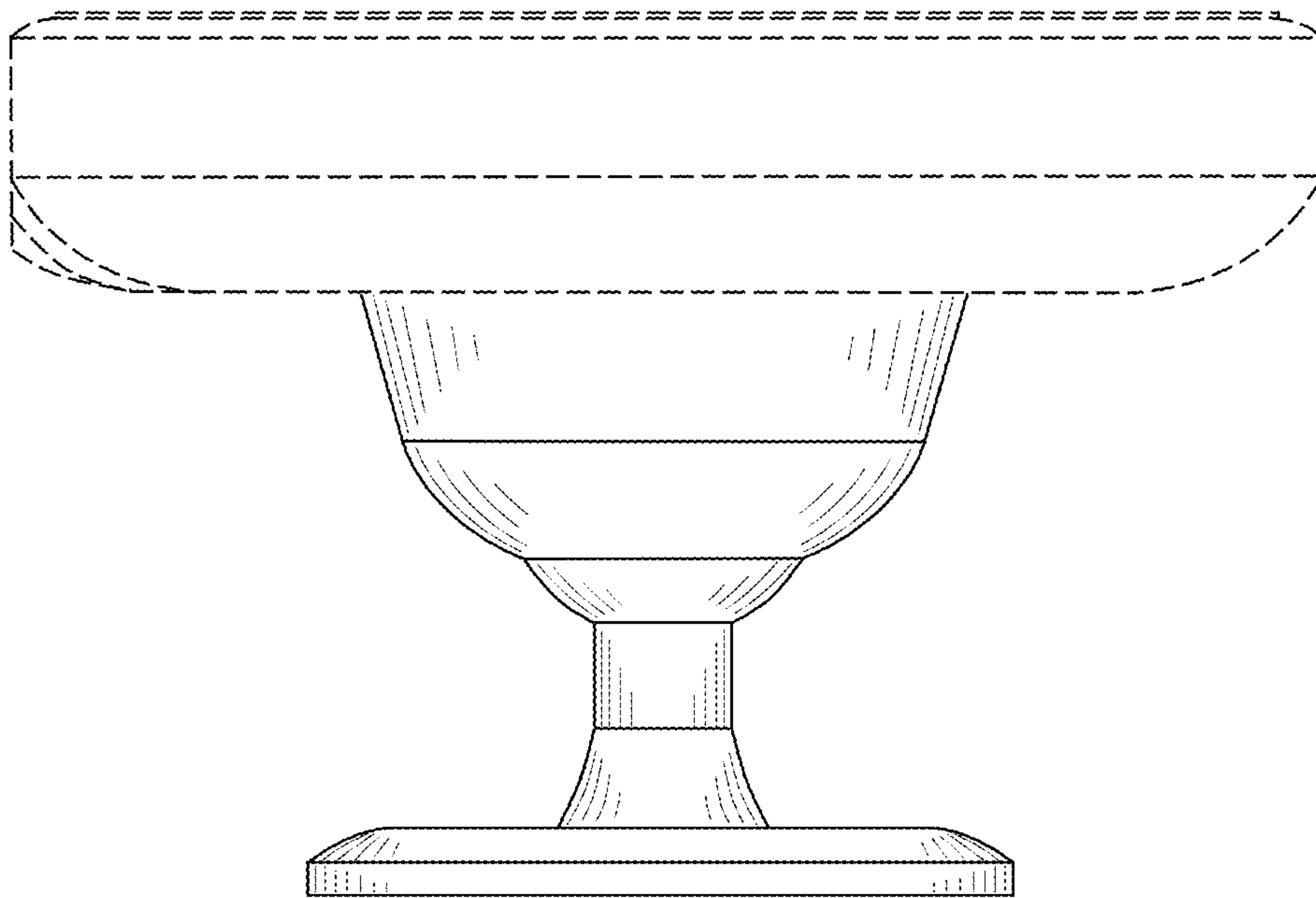


FIG. 4

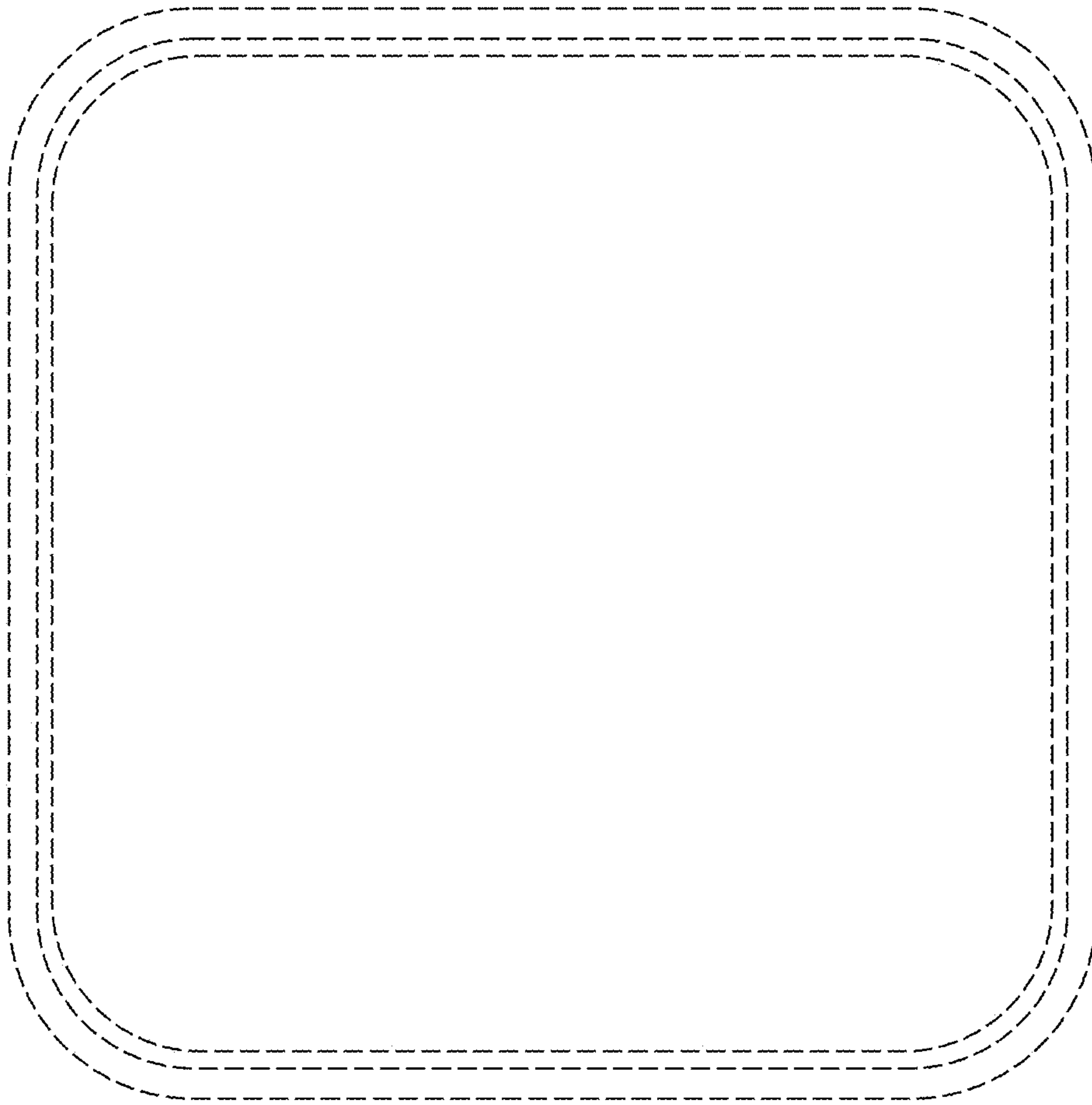


FIG. 5

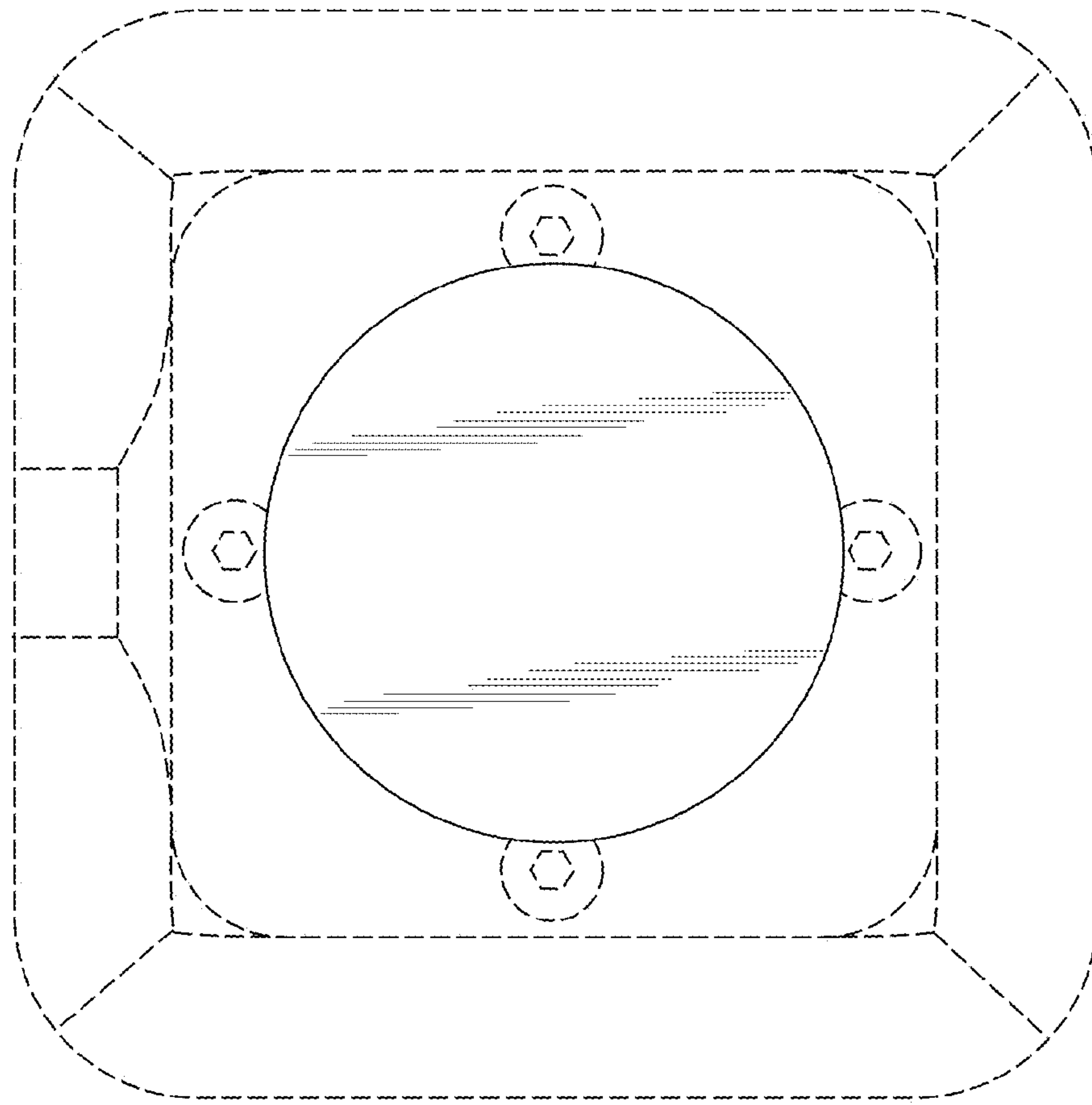


FIG. 6

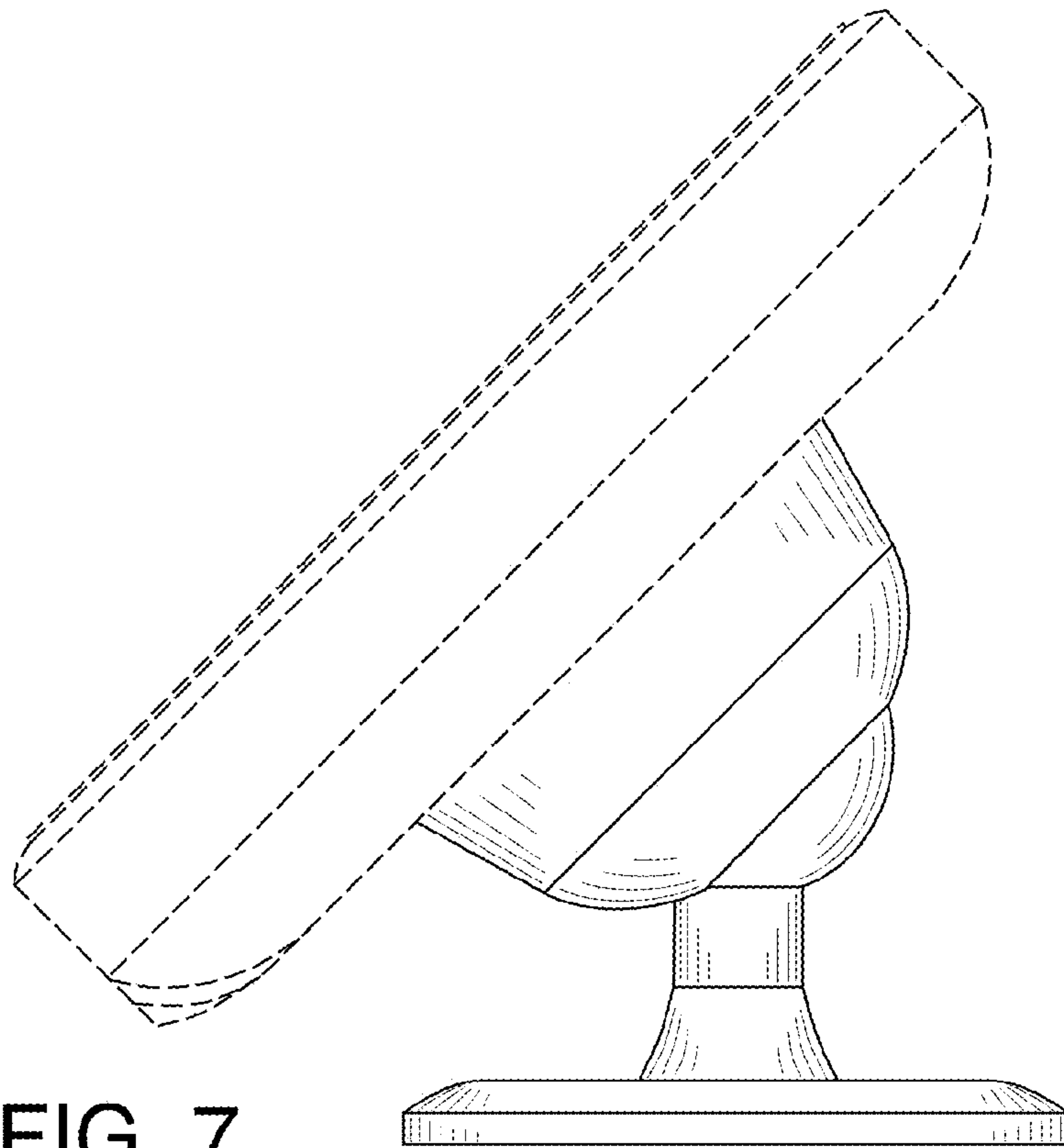


FIG. 7

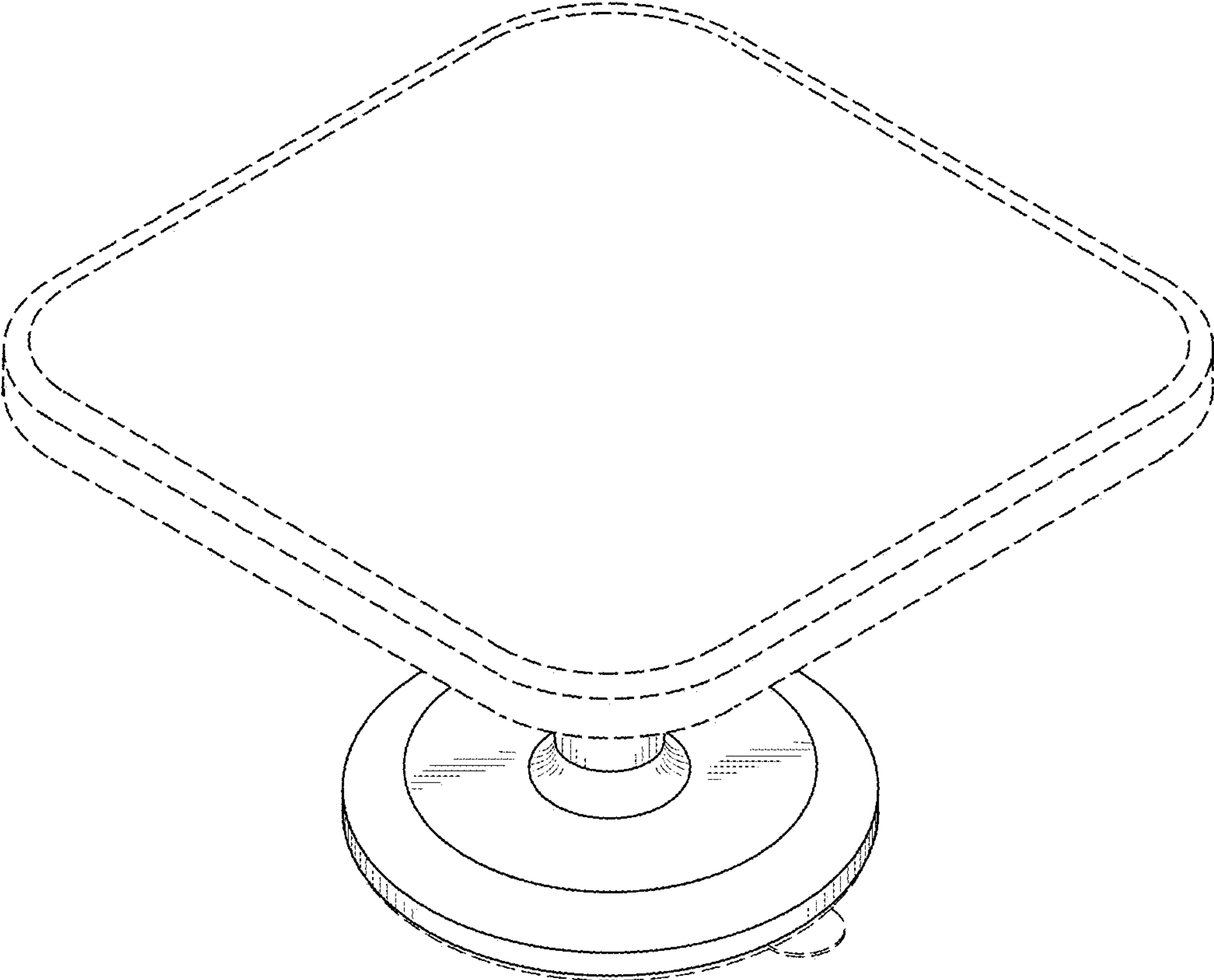


FIG. 8

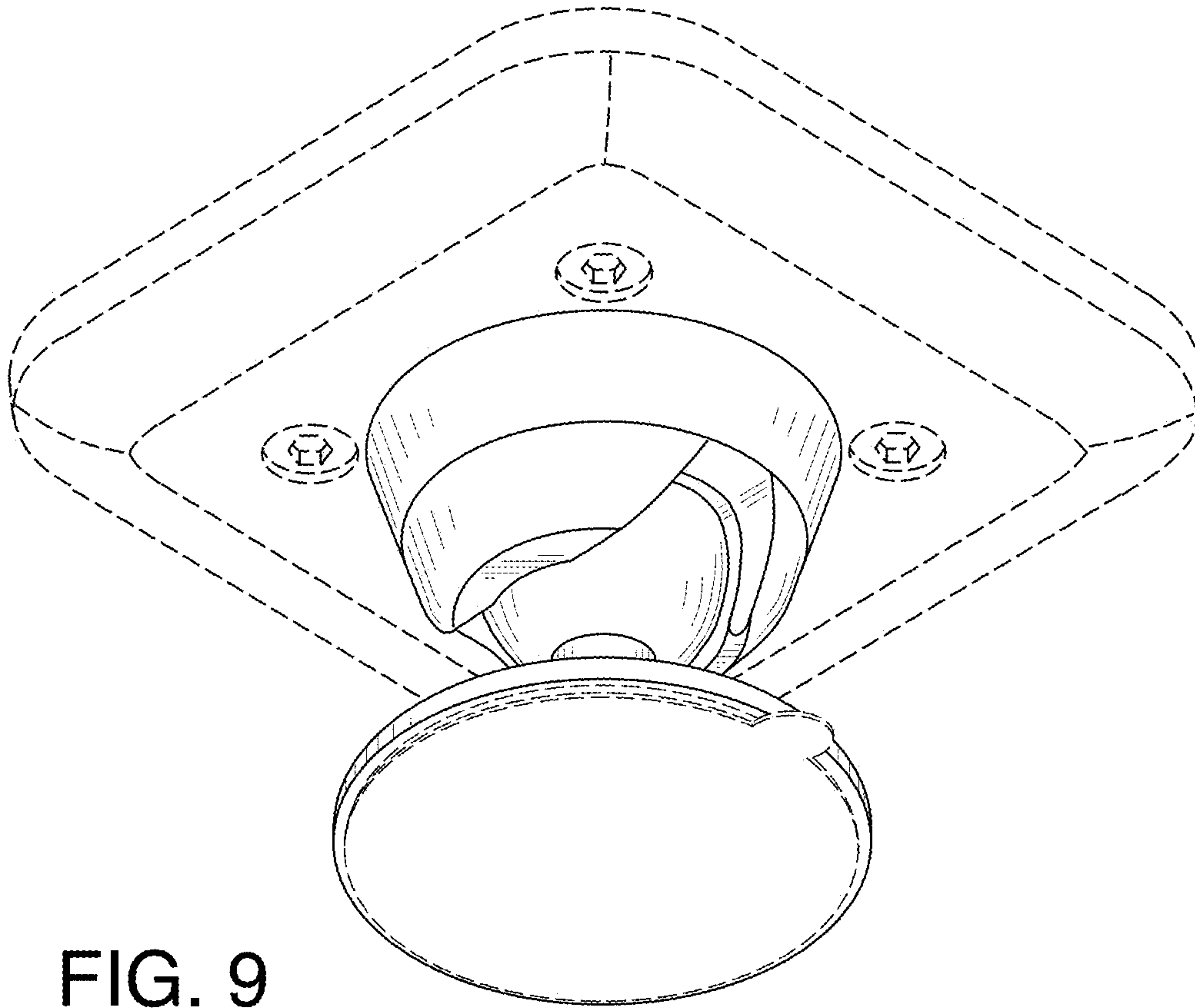


FIG. 9

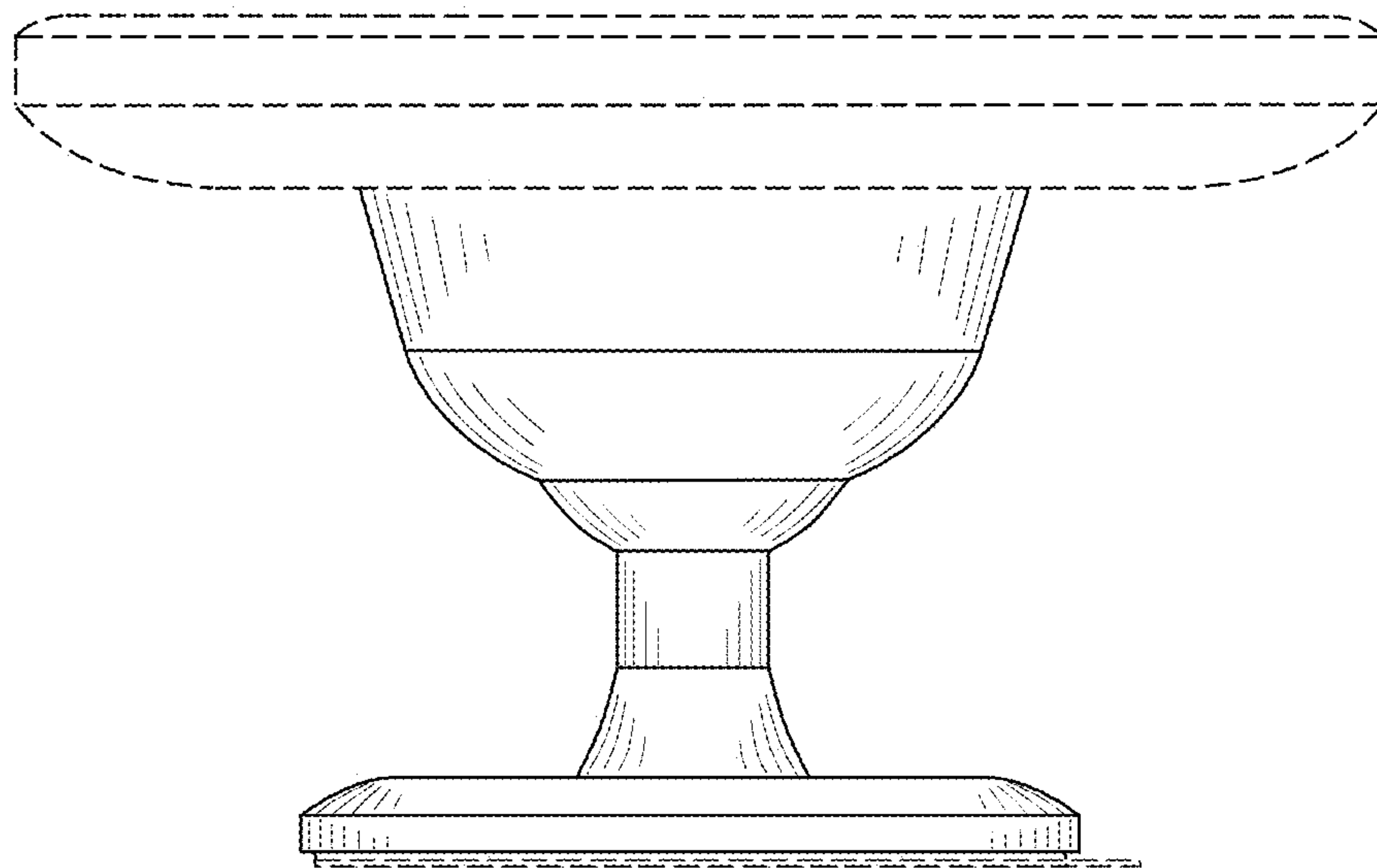


FIG. 10

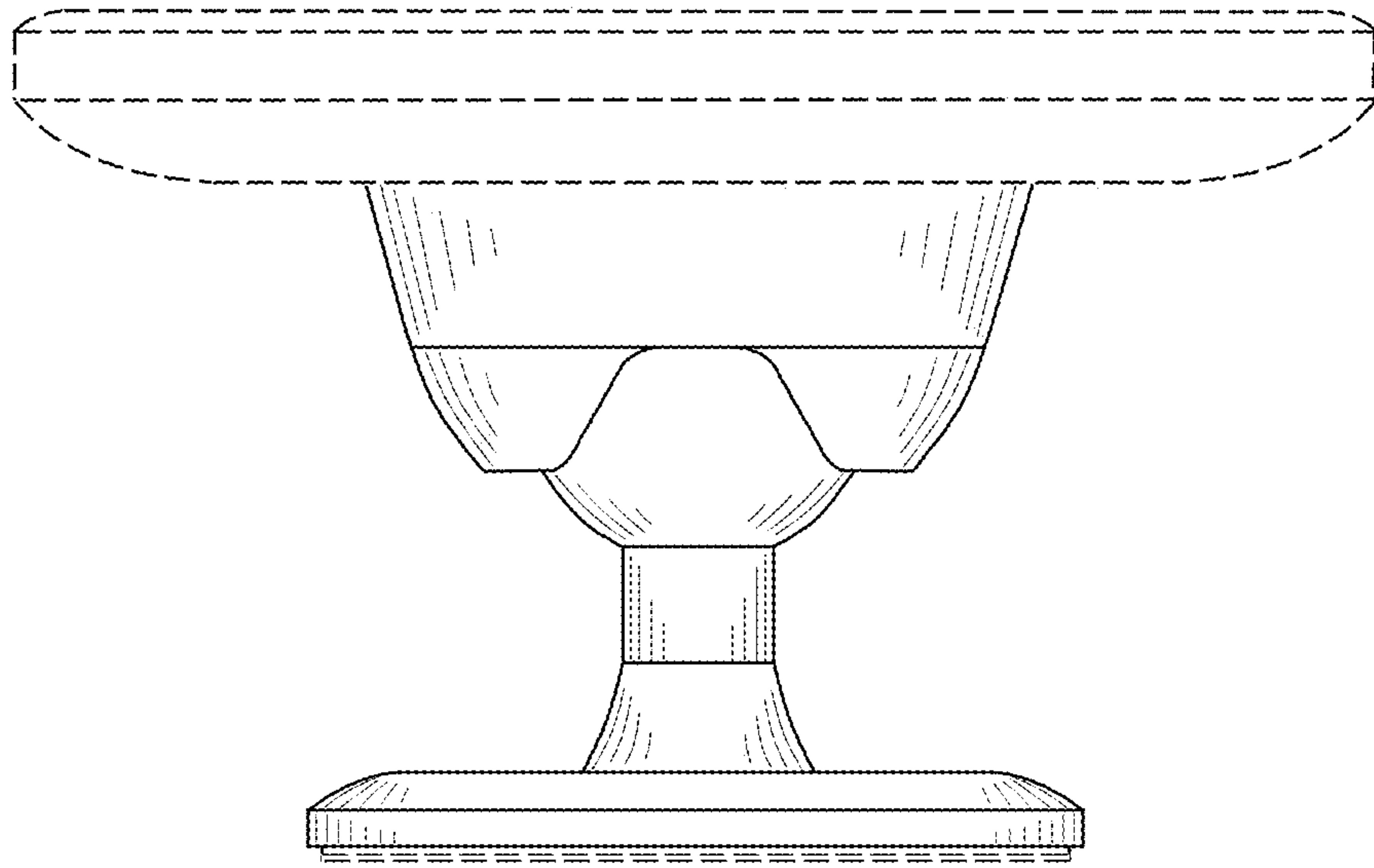


FIG. 11

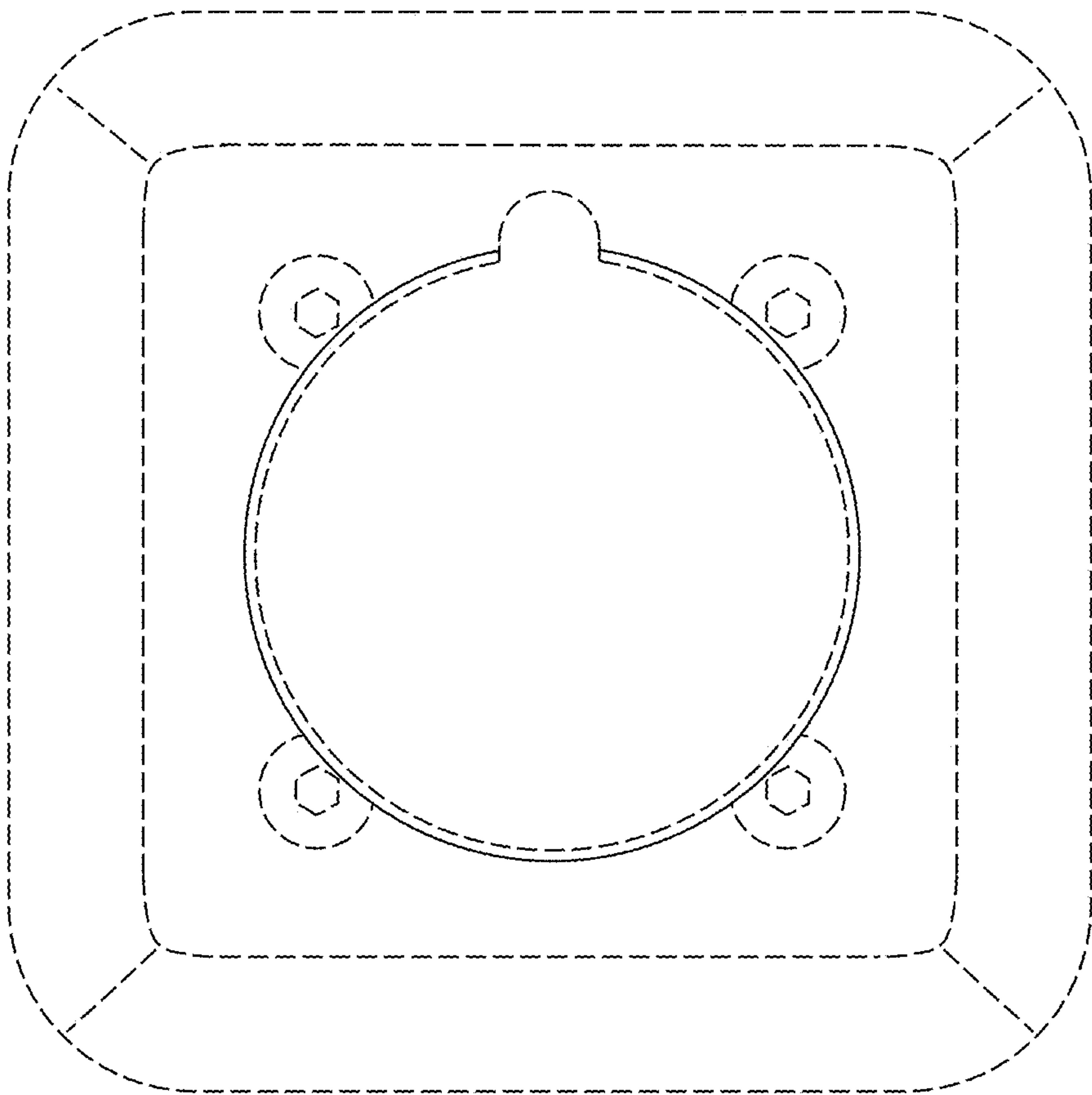


FIG. 12