



US00D968383S

(12) **United States Design Patent** (10) **Patent No.:** **US D968,383 S**
Nahum et al. (45) **Date of Patent:** **** *Nov. 1, 2022**

(54) **MOBILE DEVICE HOLDER WITH AN ACCESSORY MECHANISM**

www.amazon.com/PopSockets-PopGrip-Slide-iPhone-Silicone/dp/B07XJ7DCJF/ref=pd_di_sccai_3/134-6557125-4216929?p (Year: 2019).*

(71) Applicant: **POPSOCKETS LLC**, Boulder, CO (US)

(Continued)

(72) Inventors: **Altan Nahum**, Boulder, CO (US);
Thomas Meiser, Boulder, CO (US);
David B. Barnett, Boulder, CO (US);
Nathan Cook, Boulder, CO (US)

Primary Examiner — Janice Hallmark

(74) *Attorney, Agent, or Firm* — Holland & Hart LLP

(73) Assignee: **POPSOCKETS LLC**, Boulder, CO (US)

(57) **CLAIM**

The ornamental design for an mobile device holder with an accessory mechanism, as shown and described.

(*) Notice: This patent is subject to a terminal disclaimer.

(**) Term: **15 Years**

(21) Appl. No.: **29/712,492**

(22) Filed: **Nov. 8, 2019**

(51) **LOC (13) Cl.** **14-03**

(52) **U.S. Cl.**
USPC **D14/253**

(58) **Field of Classification Search**
USPC D14/217, 224, 224.1, 238.1, 250–254,
D14/299, 432–434, 439, 440, 447, 451,
(Continued)

(56) **References Cited**

U.S. PATENT DOCUMENTS

4,606,484 A * 8/1986 Winter A46B 5/00
224/218
D519,731 S * 5/2006 Andre D3/218
(Continued)

OTHER PUBLICATIONS

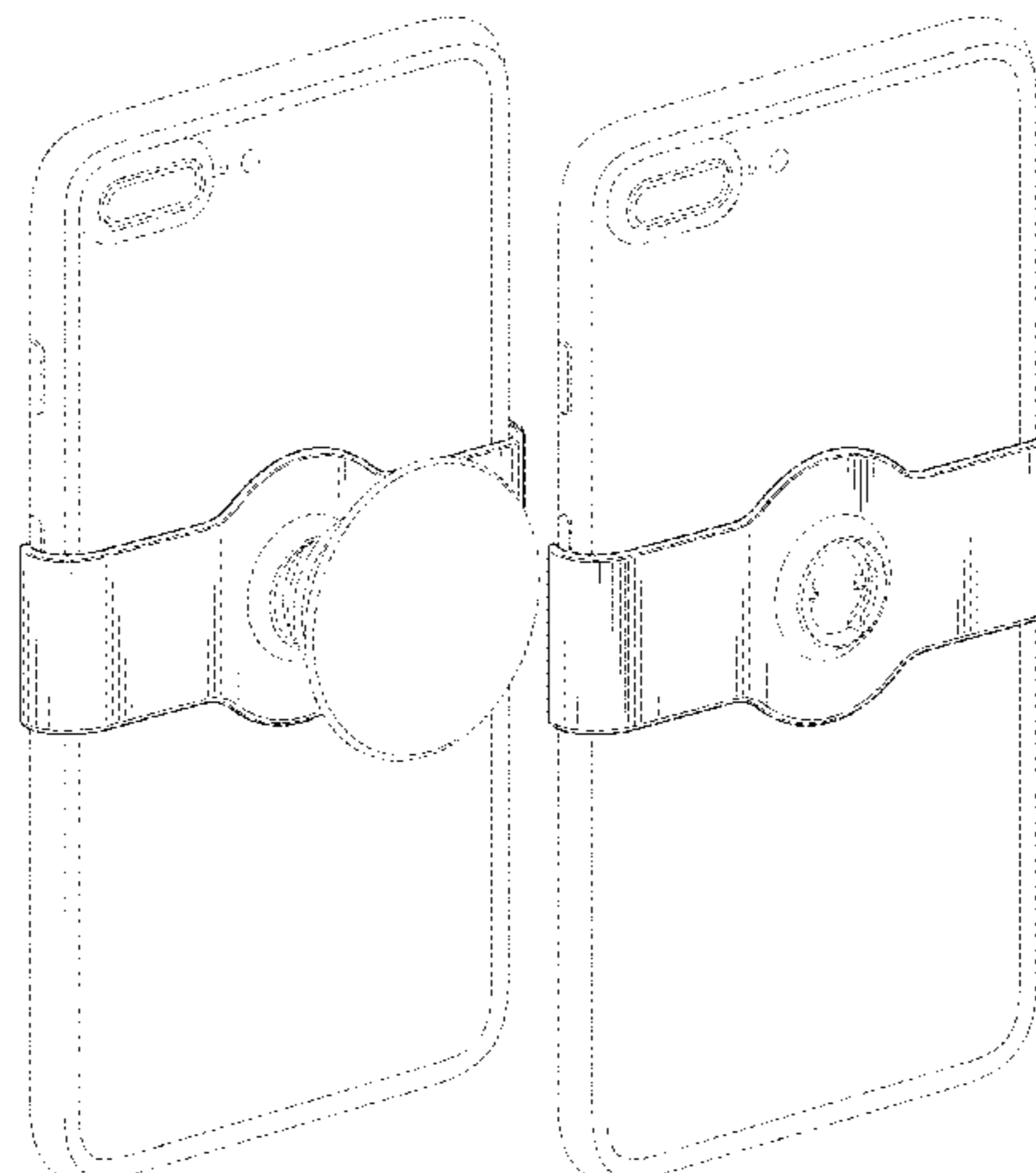
PopSockets PopGrip Slide for iPhone Xs Max Apple Silicone Case—Black Haze, announced Sep. 6, 2019, amazon.com, [online], [site visited Jun. 15, 2021], Available from internet URL: https://

DESCRIPTION

FIG. 1 is a perspective view of a mobile device holder with an accessory mechanism showing our new design attached to a mobile device and coupled to a mobile device grip; FIG. 2 is a perspective view of the mobile device holder with an accessory mechanism of FIG. 1, shown coupled to a mobile device grip; FIG. 3 is a rear view thereof; FIG. 4 is a front view thereof; FIG. 5 is a left-side view thereof; FIG. 6 is a right-side view thereof; FIG. 7 is a bottom view thereof; FIG. 8 is a top view thereof; FIG. 9 is a perspective view of the mobile device holder with an accessory mechanism of FIG. 1, shown attached to a mobile device; FIG. 10 is a perspective view of the mobile device holder with an accessory mechanism of FIG. 1, shown without environmental subject matter; FIG. 11 is a rear view thereof; FIG. 12 is a front view thereof; FIG. 13 is a left-side view thereof; FIG. 14 is a right-side view thereof; FIG. 15 is a bottom view thereof; and, FIG. 16 is a top view thereof.

The broken lines in FIG. 1 showing a mobile device and a mobile device grip, and the broken lines in FIGS. 2-8 showing a mobile device grip, and the broken lines in FIG. 9 showing a mobile device, illustrate environmental subject matter only and form no part of the claimed design. All other

(Continued)



broken lines illustrate portions of the mobile device holder with an accessory attachment mechanism that form no part of the claimed design.

1 Claim, 13 Drawing Sheets

(58) Field of Classification Search

USPC D14/452, 458, 483, 240; D12/114, 223, D12/415–426, 426.1; D3/201, 207, 208, D3/212, 215, 218, 232, 247; D16/206, D16/208, 218, 219, 237, 243, 242–245; D8/306, 307, 349, 352, 363, 401; D2/624, 625, 627, 635, 632, 999; D7/602, 619.1, 620, 701; D6/553, 512
 CPC A45C 11/00; A45C 2011/002; A45C 2011/003; A45F 5/00; A45F 5/10; A45F 5/02; A45F 2200/0516; A45F 2200/0525; A46B 5/00; A47G 23/0216; F16M 11/00; F16M 11/04; F16M 11/06; F16M 11/2021; F16M 11/38; F16M 11/046; F16M 11/08; F16M 11/16; F16M 11/041; F16M 11/2014; F16M 11/2007; F16M 13/00; H04M 1/02; H04M 1/04; H04M 1/11; H04M 1/15; H04M 1/026; H04M 1/0266; H04M 1/0281; H04M 1/0202; H04M 1/6041; H04M 1/0279; H04B 1/3877; H04B 1/3888; H04B 1/385; H05K 5/0204; B60R 11/0241
 See application file for complete search history.

(56) References Cited

U.S. PATENT DOCUMENTS

D520,739 S * 5/2006 Tsai D3/218
 D619,355 S * 7/2010 Pedersen D3/218

D713,140 S * 9/2014 Krupnick D3/218
 D748,639 S * 2/2016 Khodapanah D14/447
 D786,841 S * 5/2017 Minn D14/238.1
 D790,528 S * 6/2017 Lindloff D14/253
 D799,467 S * 10/2017 Lou D14/253
 D805,021 S * 12/2017 Cunningham D12/415
 D831,664 S * 10/2018 Chen D14/447
 D851,650 S * 6/2019 Minn F16M 13/022
 D14/447
 D879,086 S * 3/2020 Nahum D14/251
 D883,274 S * 5/2020 Liu D14/253
 D886,094 S * 6/2020 Xu D14/253
 D902,195 S * 11/2020 Ko D16/244
 D909,362 S * 2/2021 Cheng D14/253
 D909,481 S * 2/2021 Liu D21/333
 D922,933 S * 6/2021 Tung D12/415
 D925,435 S * 7/2021 Tung D12/415
 D926,774 S * 8/2021 Kanter D14/447
 D928,764 S * 8/2021 Yeo D14/251
 D929,382 S * 8/2021 Gwyn D14/251
 D932,482 S * 10/2021 Del Toro D14/253
 D938,408 S * 12/2021 Nahum D14/253
 2015/0182009 A1 * 7/2015 Whang A45F 5/00
 224/222
 2019/0104623 A1 * 4/2019 Backus H05K 5/0204
 2019/0138052 A1 * 5/2019 Barnett F16M 11/041
 2019/0208871 A1 * 7/2019 Barnett A45F 5/10
 2021/0140580 A1 * 5/2021 Nahum F16M 11/041

OTHER PUBLICATIONS

PopSockets PopGrip Slide for iPhone SE, 7 and 8 Apple Silicone Case—Clear, announced Sep. 24, 2019, amazon.com, [online], [site visited Jun. 15, 2021], Available from internet URL: https://www.amazon.com/PopSockets-PopGrip-Slide-iPhone-Silicone/dp/B07YBH5QF9/ref=pd_rhf_dp_s_pd_ldate_6/134-6557125- (Year: 2019).*

* cited by examiner

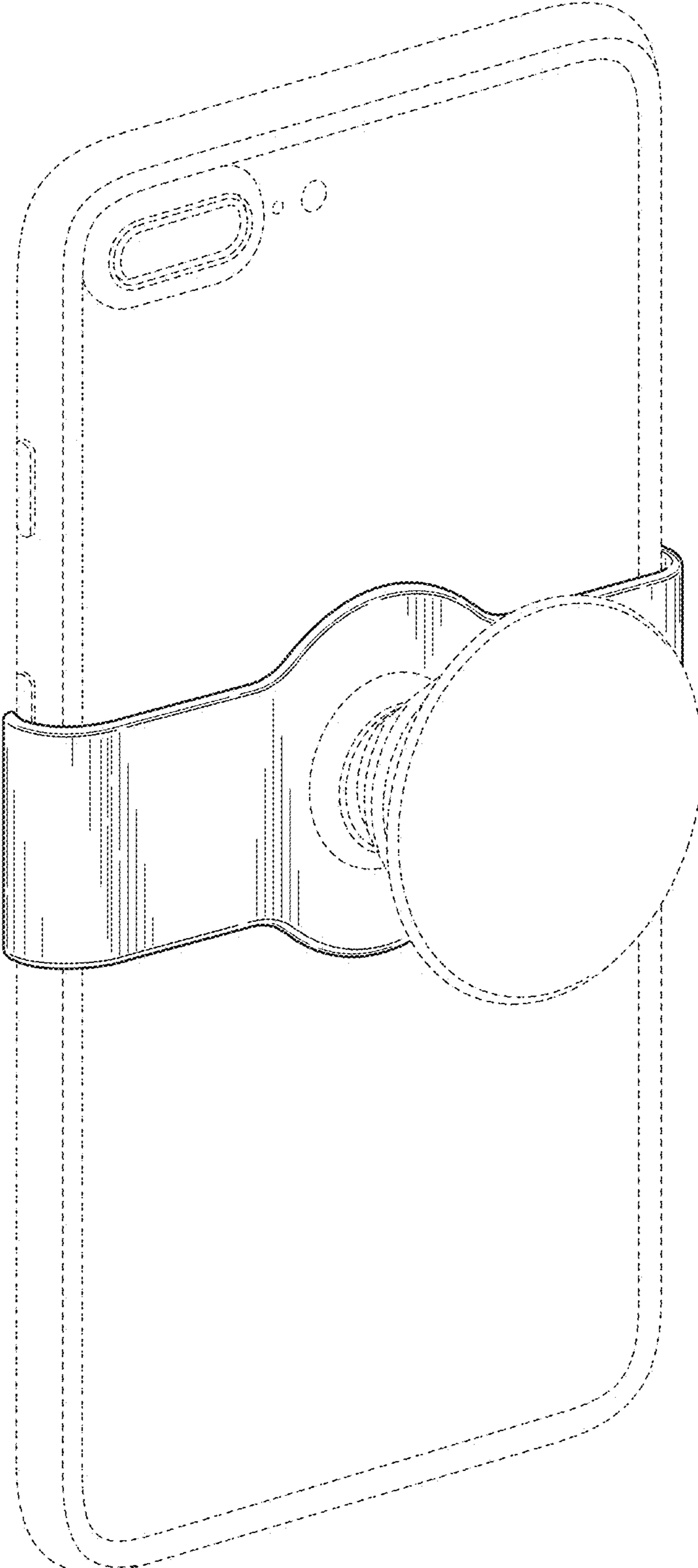


FIG. 1

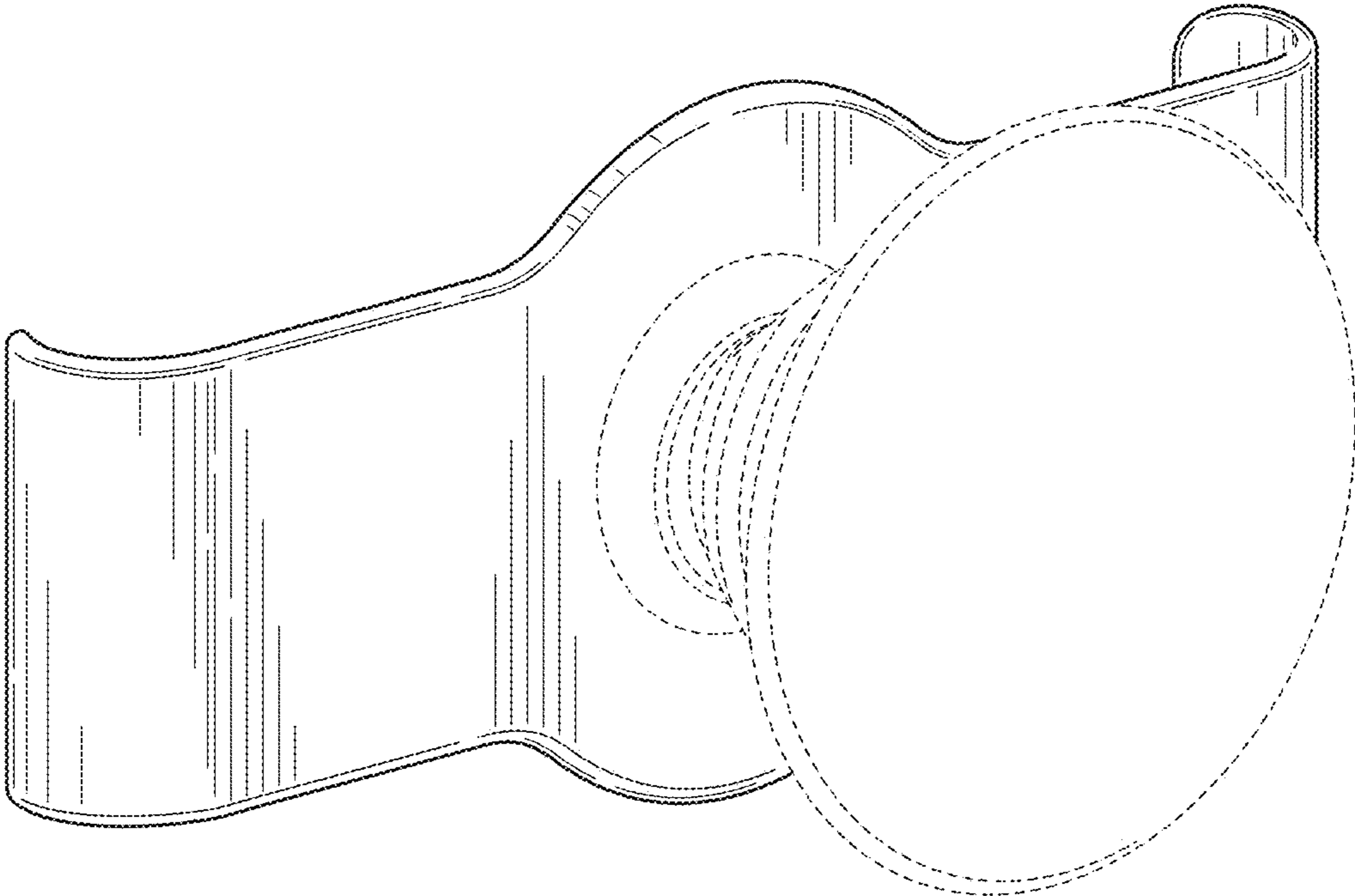


FIG. 2

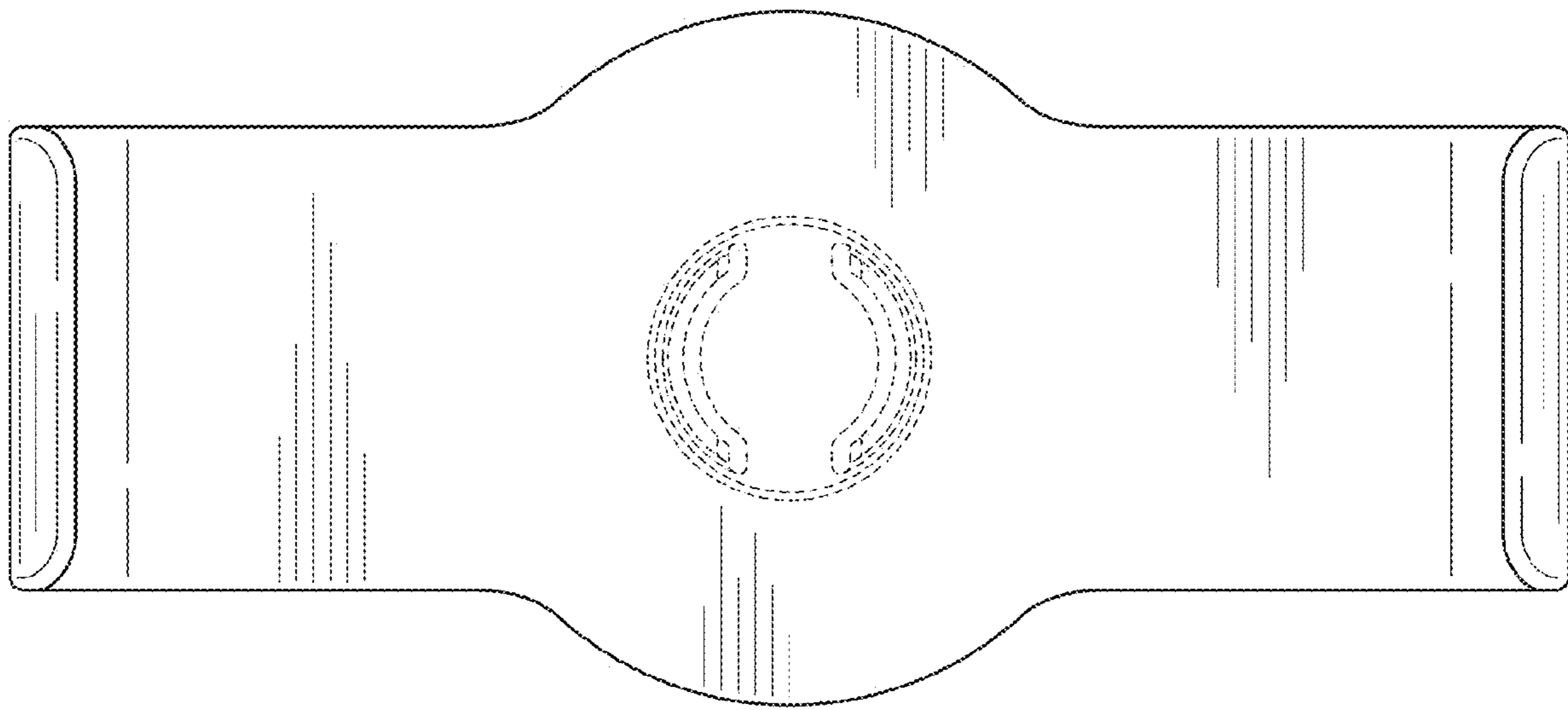


FIG. 3

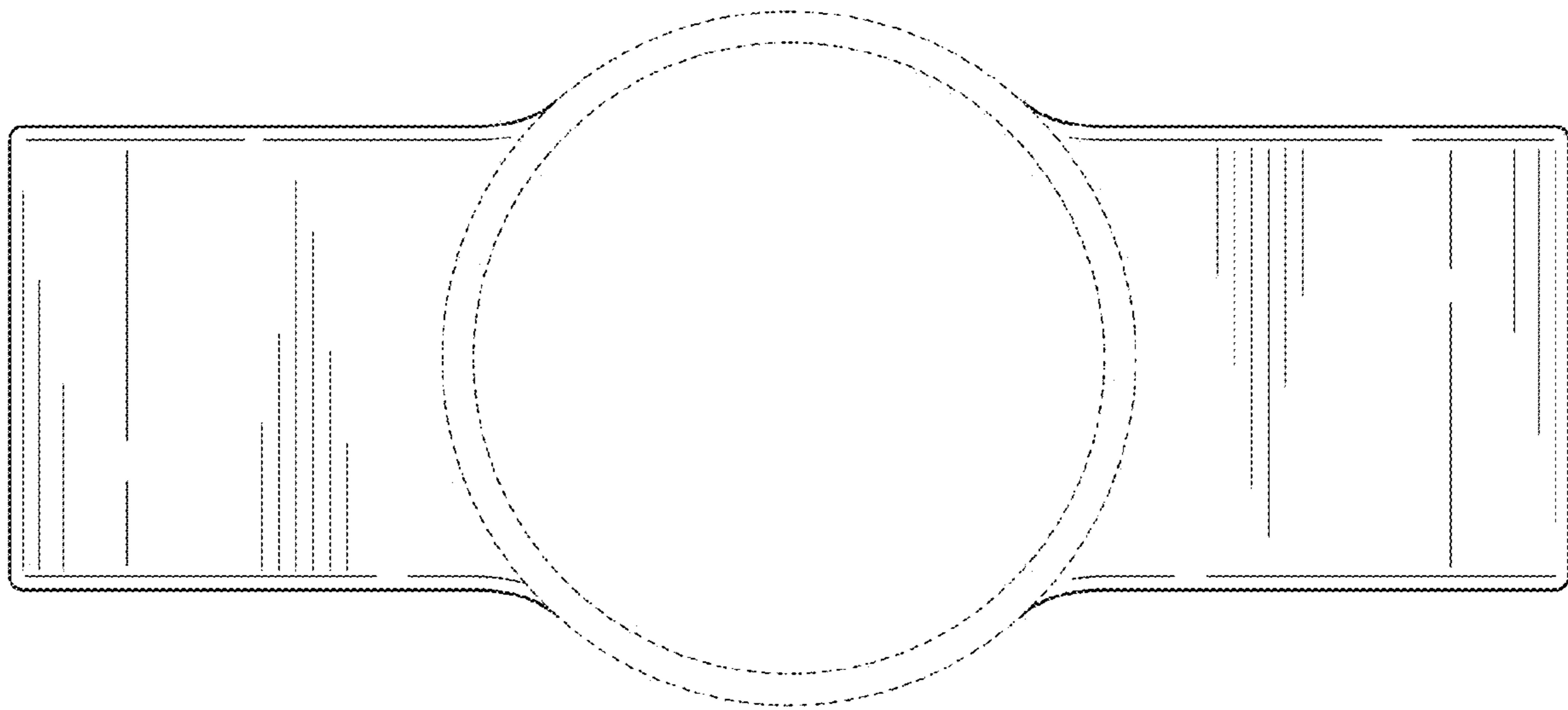


FIG. 4

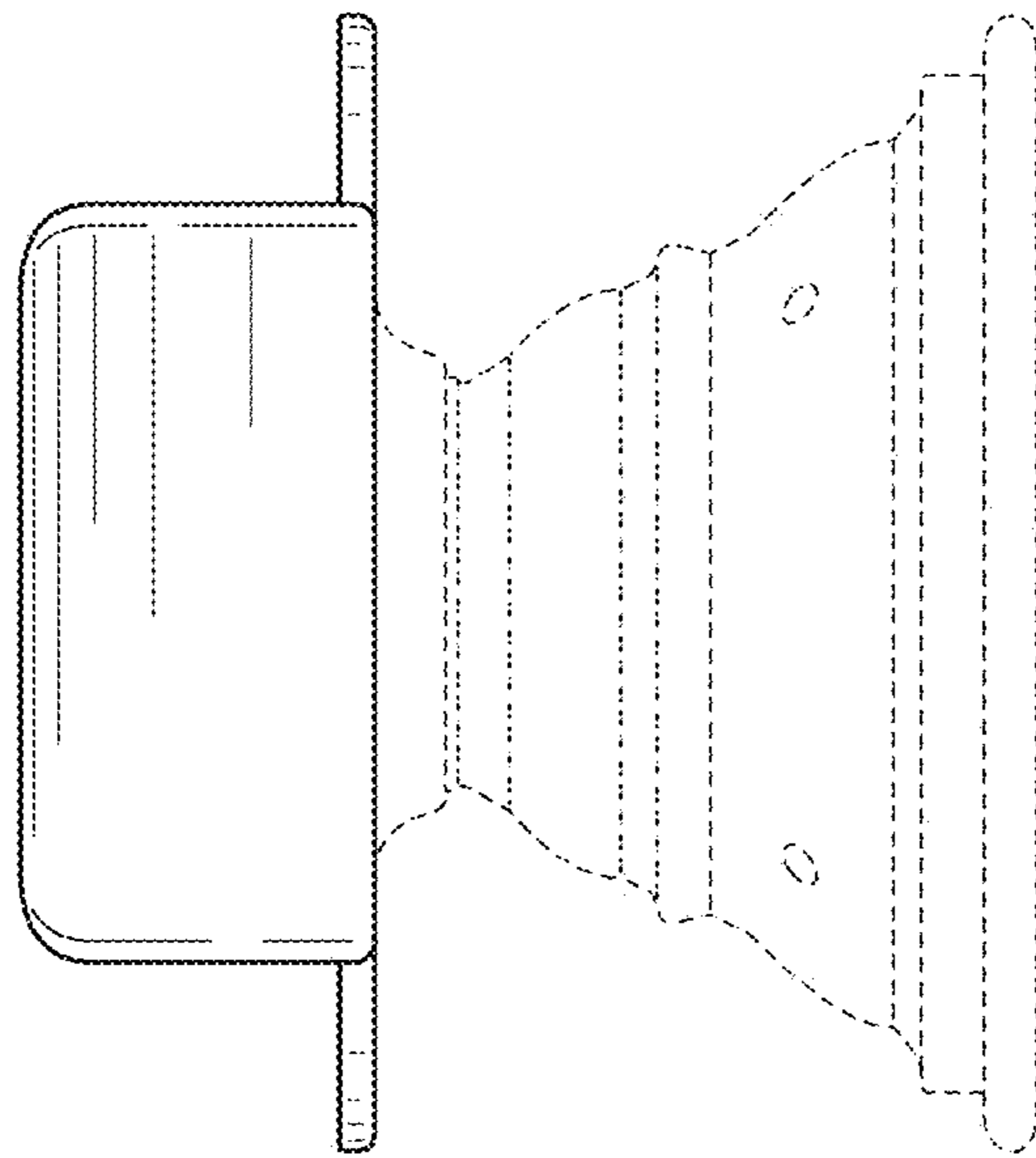


FIG. 5

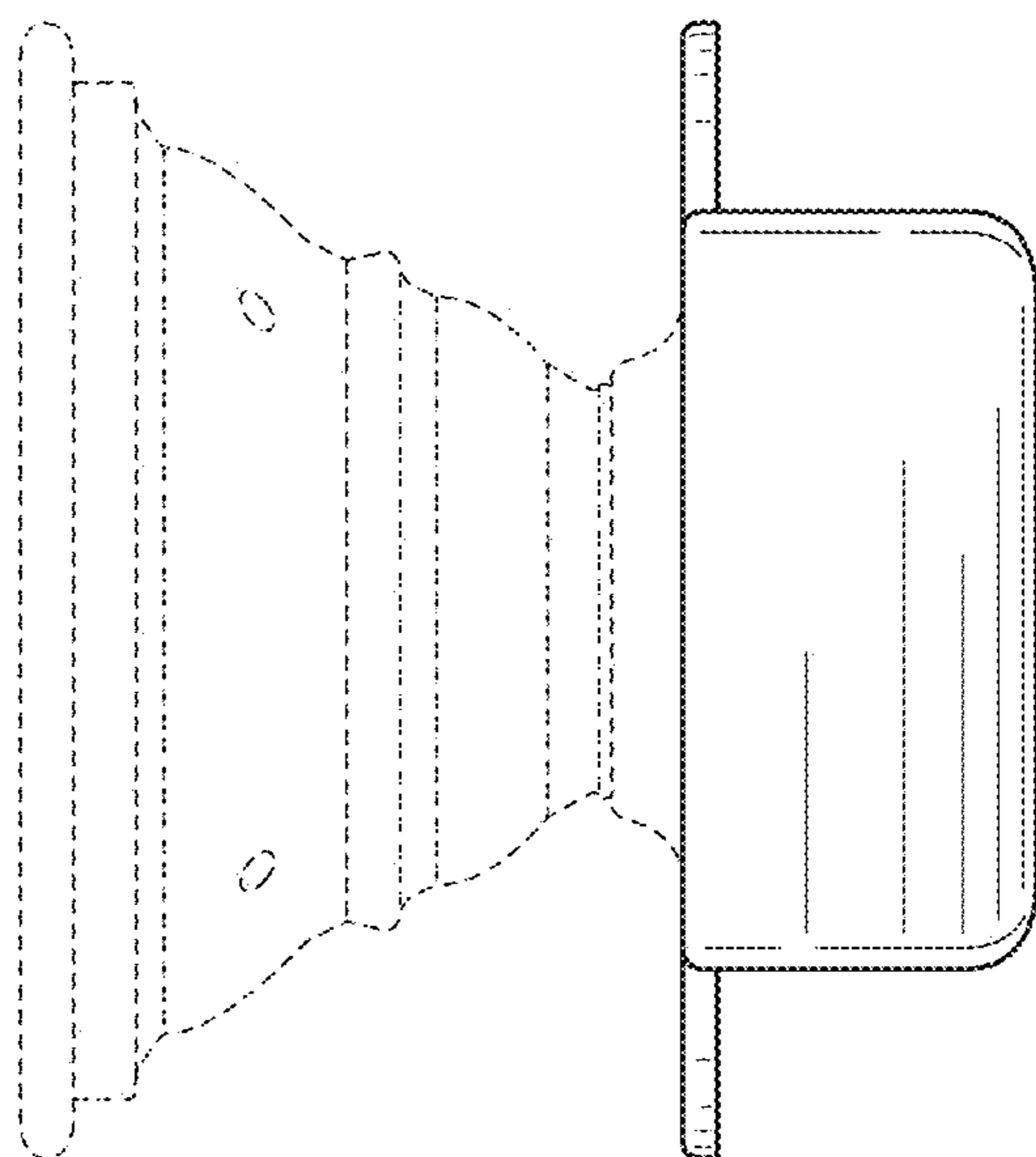


FIG. 6

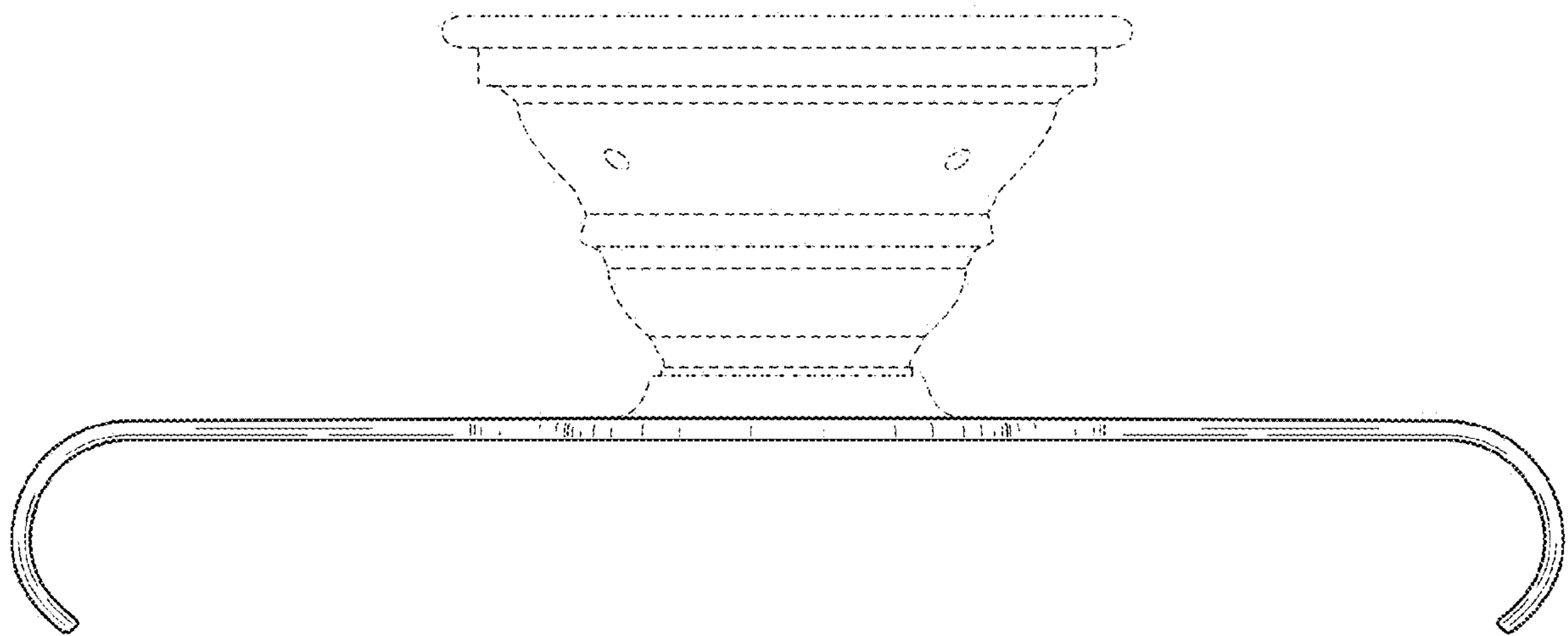


FIG. 7

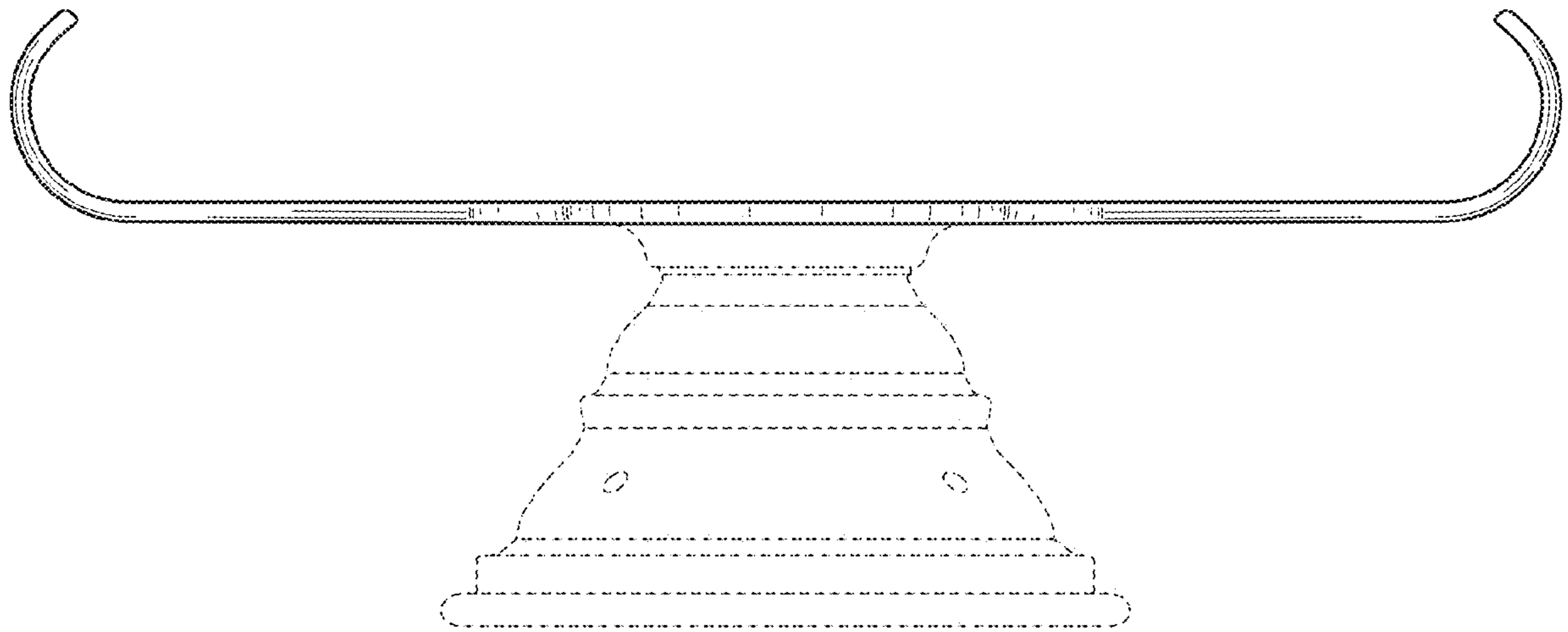


FIG. 8

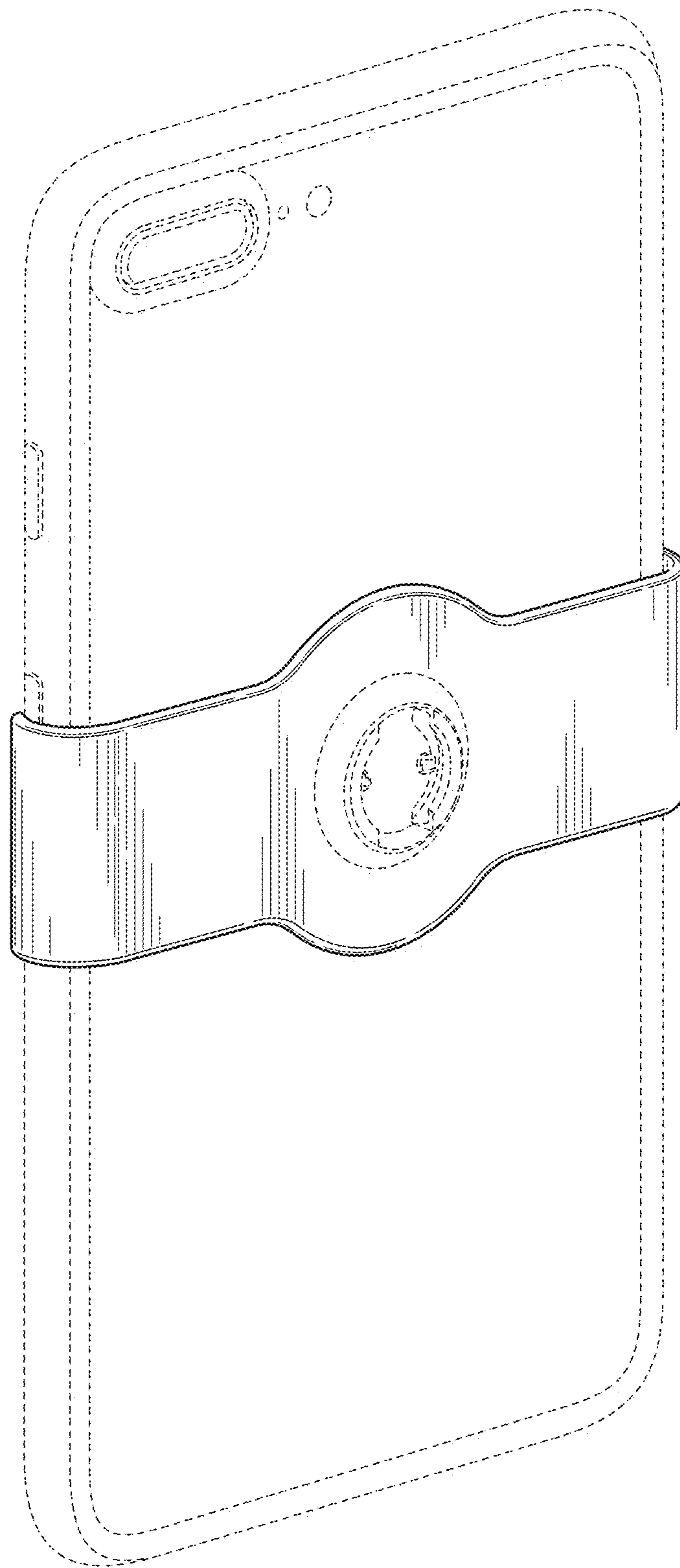


FIG. 9

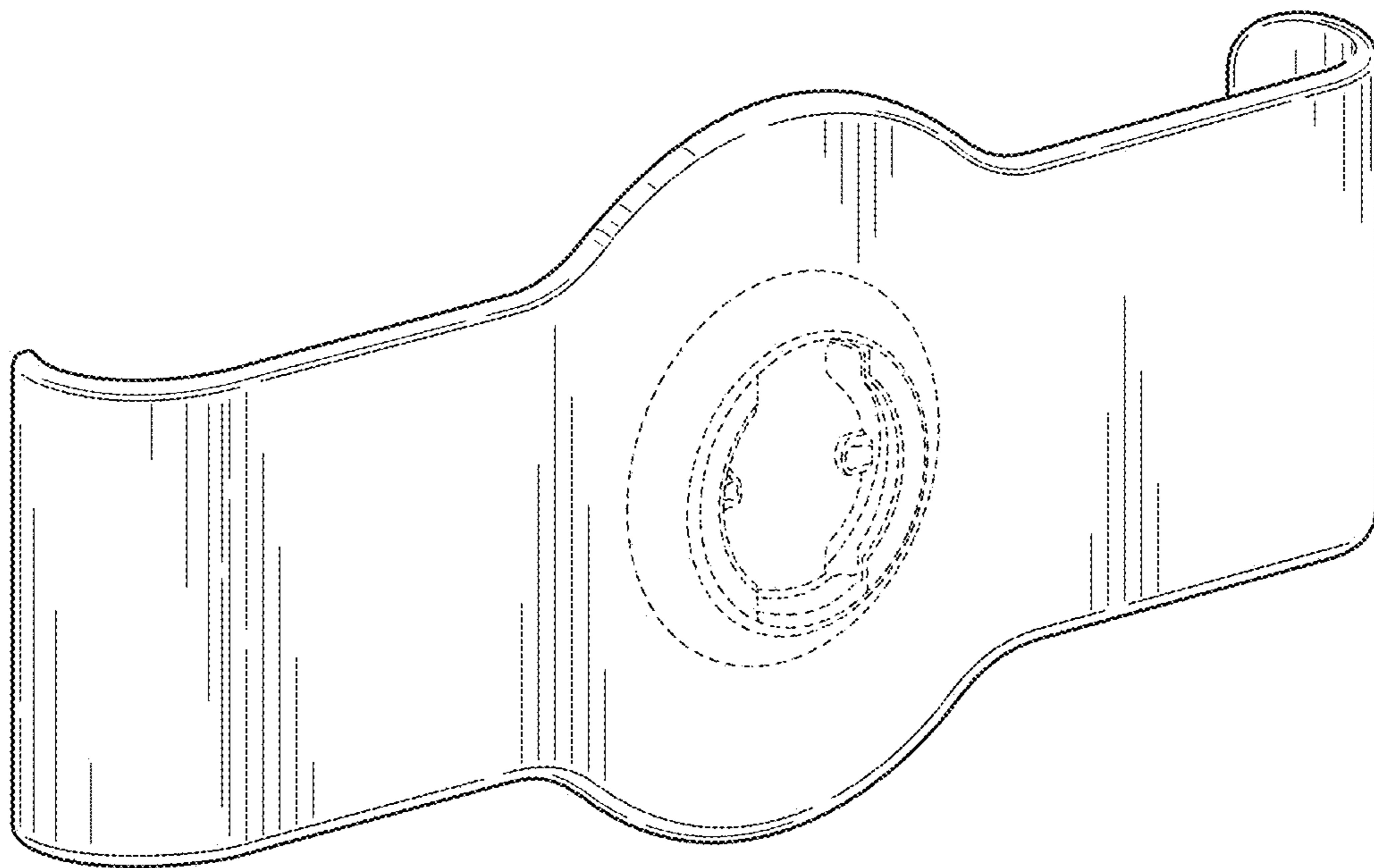


FIG. 10

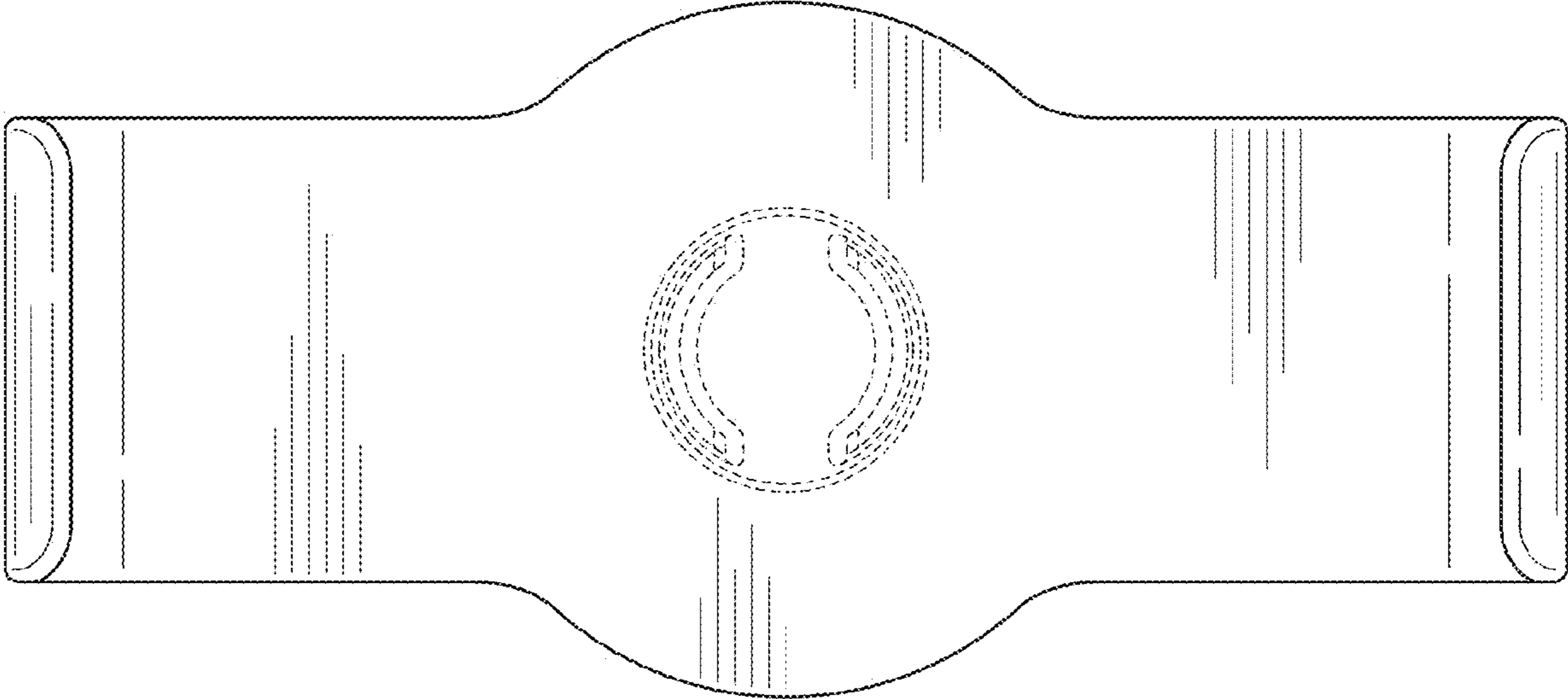


FIG. 11

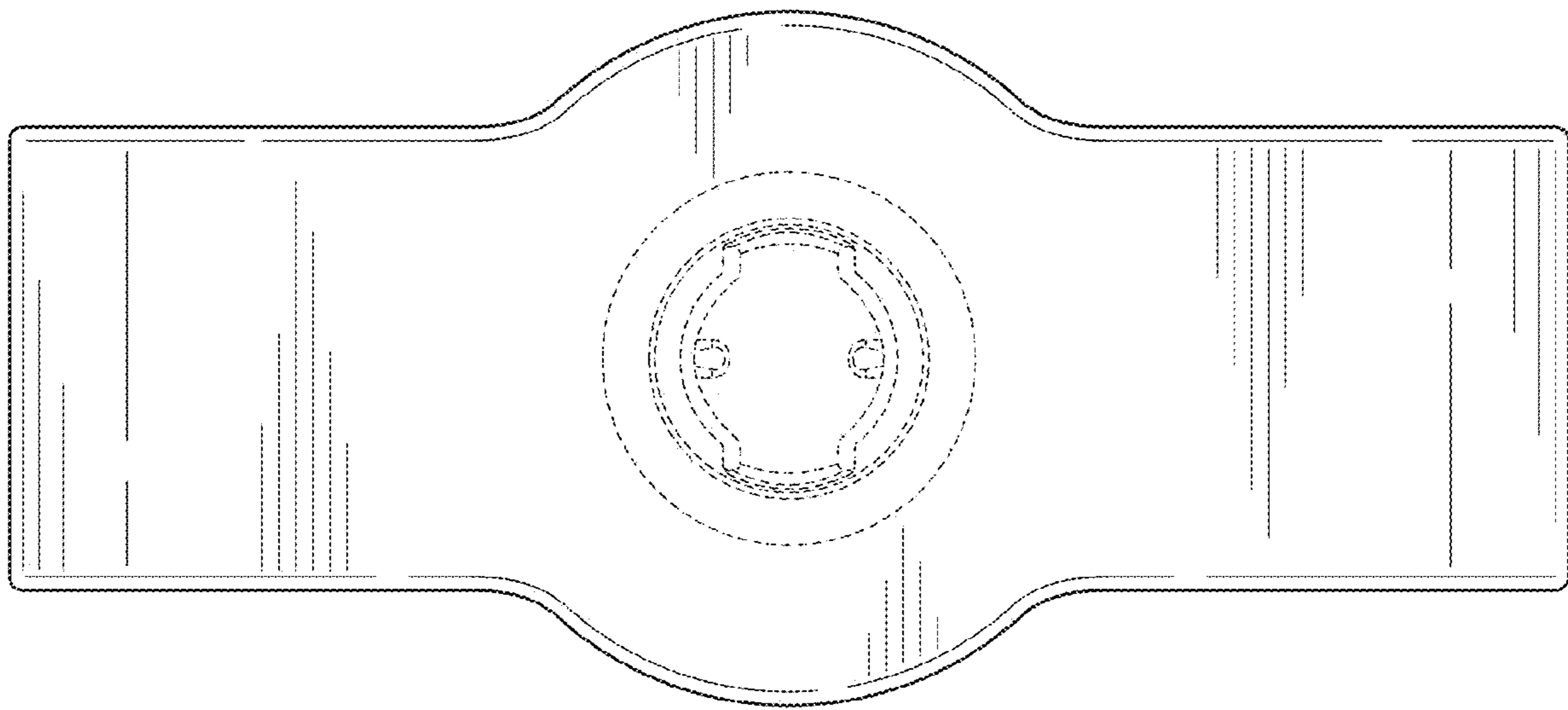


FIG. 12

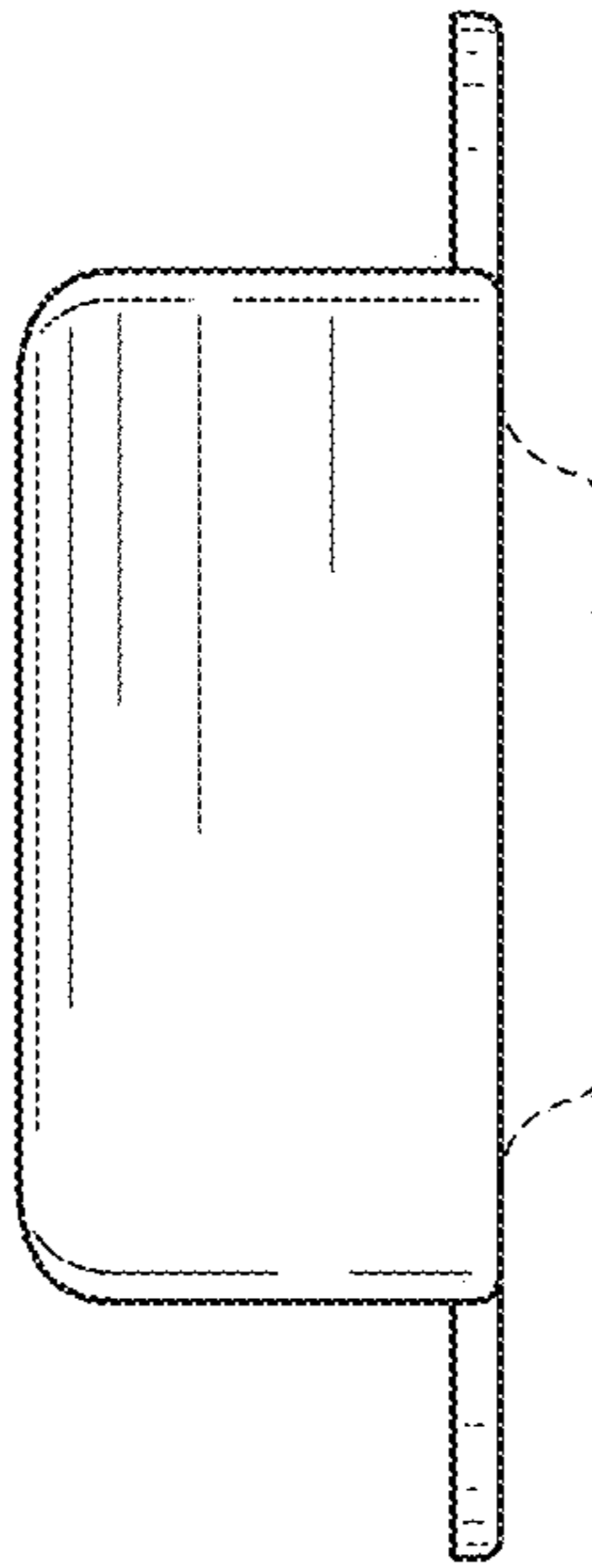


FIG. 13

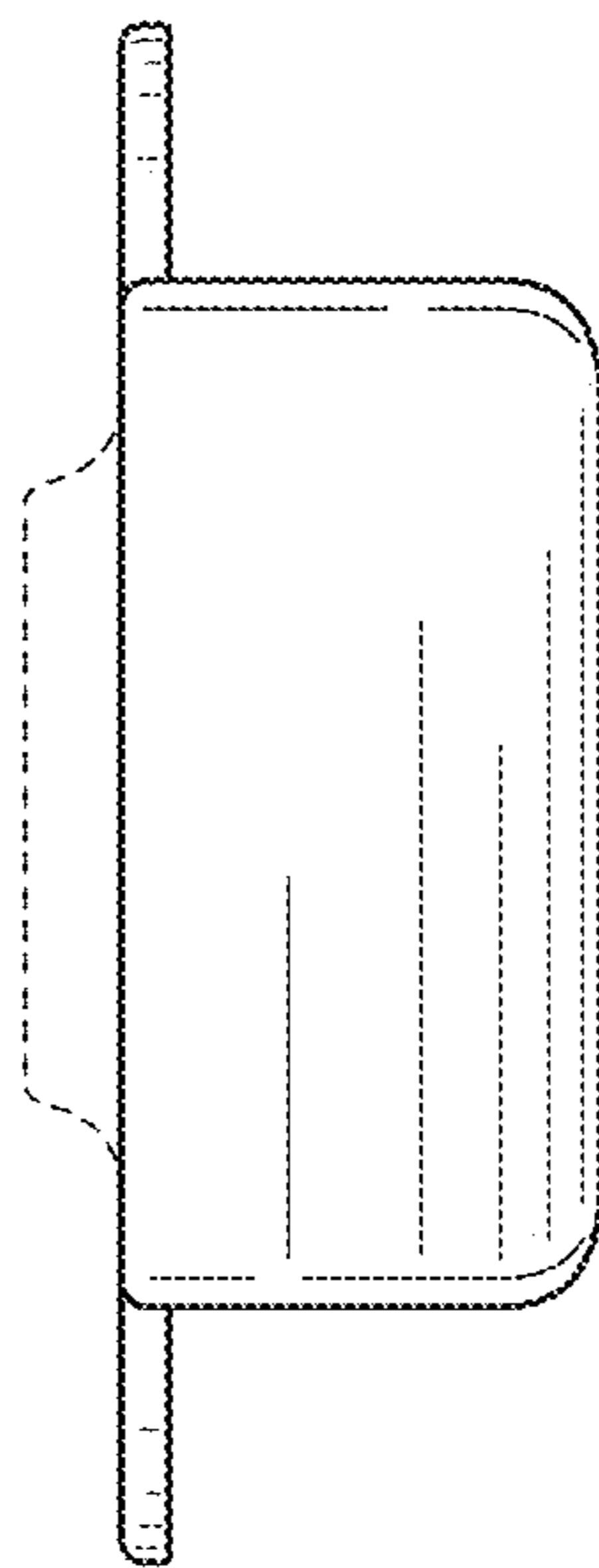


FIG. 14

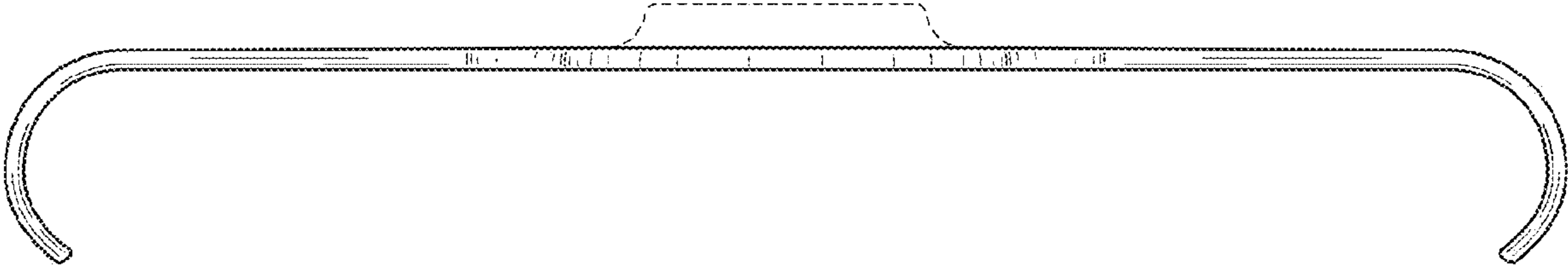


FIG. 15

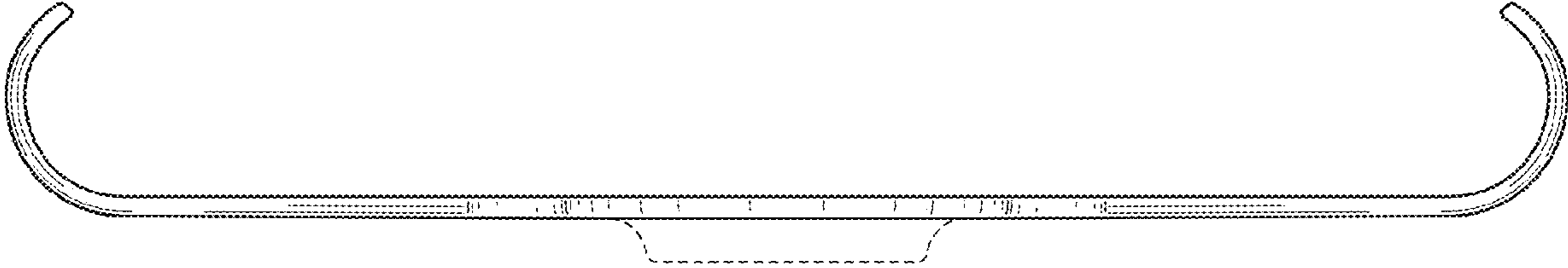


FIG. 16